



US00D435769S

(12) **United States Design Patent**
Etter et al.

(10) **Patent No.:** **US D435,769 S**
(45) **Date of Patent:** **** Jan. 2, 2001**

(54) **PNEUMATIC FASTENER DRIVER**

(75) Inventors: **Mark A. Etter; Leslie Daily Gist**, both of Jackson, TN (US)

(73) Assignee: **Porter-Cable Corporation**, Jackson, TN (US)

(**) Term: **14 Years**

(21) Appl. No.: **29/106,875**

(22) Filed: **Jun. 23, 1999**

(51) **LOC (7) Cl.** **08-05**

(52) **U.S. Cl.** **D8/68; D8/69**

(58) **Field of Search** **D8/61, 68, 69; 227/8, 2, 111-115, 120, 130, 136**

(56) **References Cited**

U.S. PATENT DOCUMENTS

D. 377,590	*	1/1997	Lai	D8/68
D. 383,658	*	9/1997	Kaiser	D8/69
D. 415,002	*	10/1999	Rodgers et al.	D8/69
5,556,020	*	9/1996	Hou	227/123 X
5,727,726	*	3/1998	Lin	227/123 X
6,065,662	*	5/2000	Sauer	227/123 X

* cited by examiner

Primary Examiner—Antoine Duval Davis

(74) *Attorney, Agent, or Firm*—Merchant & Gould P.C.

(57) **CLAIM**

The ornamental design for a pneumatic fastener driver, as shown and described.

DESCRIPTION

FIG. 1 is a front and top right perspective of a first embodiment of a pneumatic fastener driver having a first driver body, a first magazine, and a first cap for a pneumatic fastener driver;

FIG. 2 is a front elevational view of the pneumatic fastener driver shown in FIG. 1.

FIG. 3 is a rear elevational view of the pneumatic fastener driver shown in FIG. 1.

FIG. 4 is a right side elevational view of the pneumatic fastener driver shown in FIG. 1.

FIG. 5 is a left side elevational view of the pneumatic fastener driver shown in FIG. 1.

FIG. 6 is a top plan view of the cap for a pneumatic fastener driver shown in FIG. 1.

FIG. 7 is a bottom plan view of the cap for a pneumatic fastener driver shown in FIG. 1.

FIG. 8 is a front and top right perspective view of a second embodiment of a pneumatic fastener driver having a first driver body, a second magazine, and a second cap for a pneumatic fastener driver;

FIG. 9 is a front elevational view of the pneumatic fastener driver shown in FIG. 8.

FIG. 10 is a rear elevational view of the pneumatic fastener driver shown in FIG. 8.

FIG. 11 is a right side elevational view of the pneumatic fastener driver shown in FIG. 8.

FIG. 12 is a left side elevational view of the pneumatic fastener driver shown in FIG. 8.

FIG. 13 is a top plan view of the cap for a pneumatic fastener driver shown in FIG. 8.

FIG. 14 is a bottom plan view of the cap for a pneumatic fastener driver shown in FIG. 8.

FIG. 15 is a front and top right perspective view of a third embodiment of a pneumatic fastener driver having a first driver body, a third magazine, and a first cap for a pneumatic fastener driver;

FIG. 16 is a front elevational view of the pneumatic fastener driver shown in FIG. 15.

FIG. 17 is a rear elevational view of the pneumatic fastener driver shown in FIG. 15.

FIG. 18 is a right side elevational view of the pneumatic fastener driver shown in FIG. 15.

FIG. 19 is a left side elevational view of the pneumatic fastener driver shown in FIG. 15.

FIG. 20 is top plan view of the cap for a pneumatic fastener driver shown in FIG. 15.

FIG. 21 is a bottom plan view of the cap for a pneumatic fastener driver shown in FIG. 15.



FIG. 22 is a front and top right perspective view of a fourth embodiment of a pneumatic fastener driver having a first body, a fourth magazine, and a second cap for a pneumatic fastener driver;

FIG. 23 is a front elevational view of the pneumatic fastener driver shown in FIG. 22.

FIG. 24 is a rear elevational view of the pneumatic fastener driver shown in FIG. 22.

FIG. 25 is a right side elevational view of the pneumatic fastener driver shown in FIG. 22.

FIG. 26 is a left side elevational view of the pneumatic fastener driver shown in FIG. 22.

FIG. 27 is a top plan view of the cap for a pneumatic fastener driver shown in FIG. 22; and,

FIG. 28 is a bottom plan view of the cap for a pneumatic fastener shown in FIG. 22.

1 Claim, 28 Drawing Sheets

FIG. 1



FIG. 2

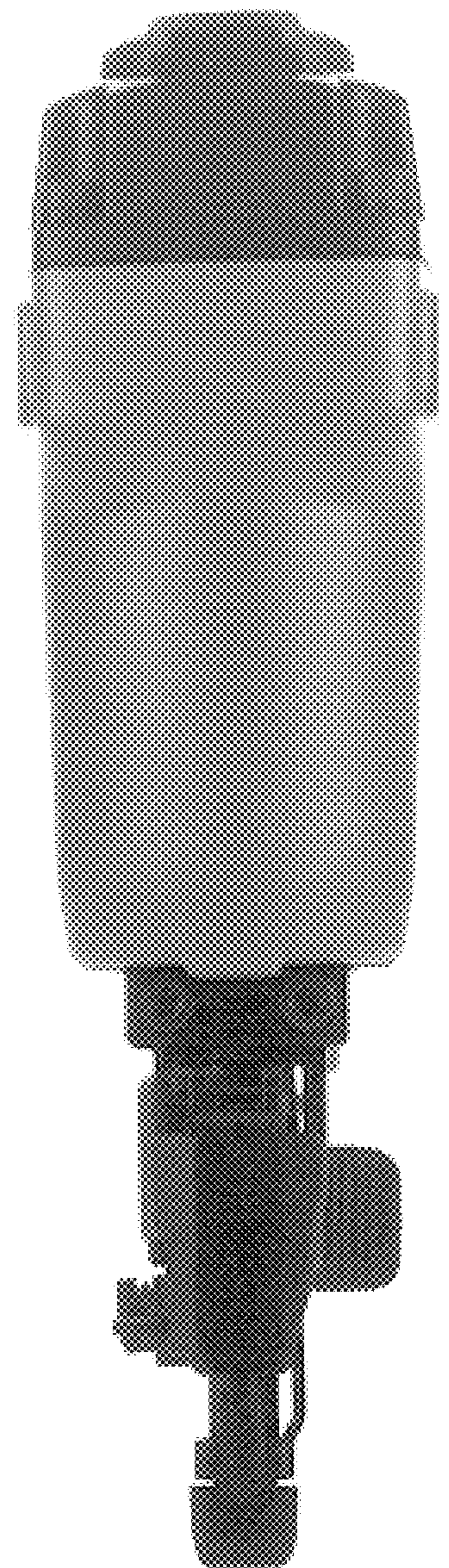


FIG. 3

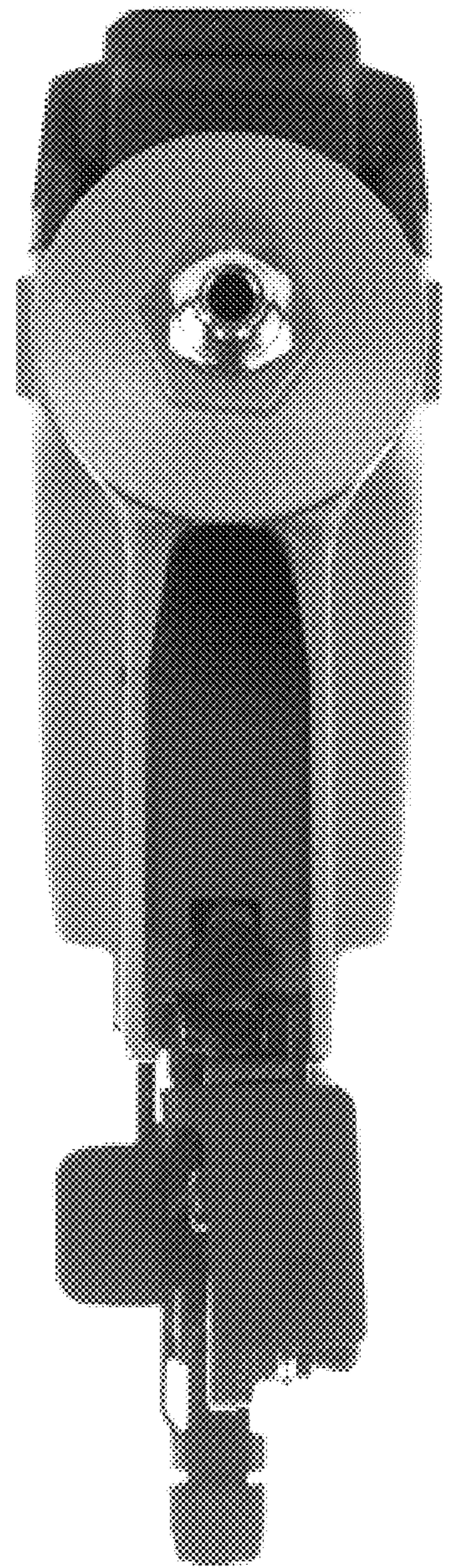


FIG. 4

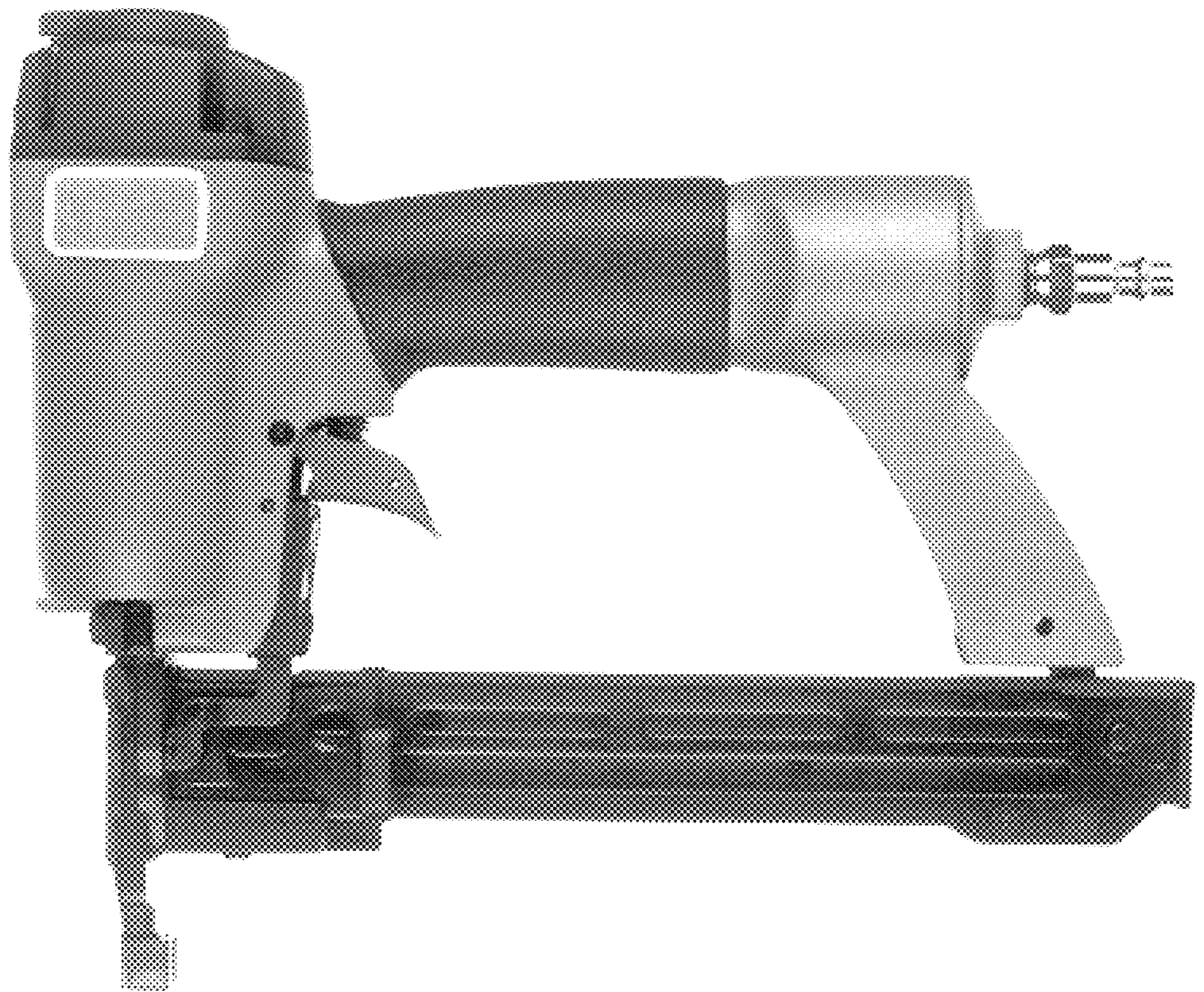


FIG. 5

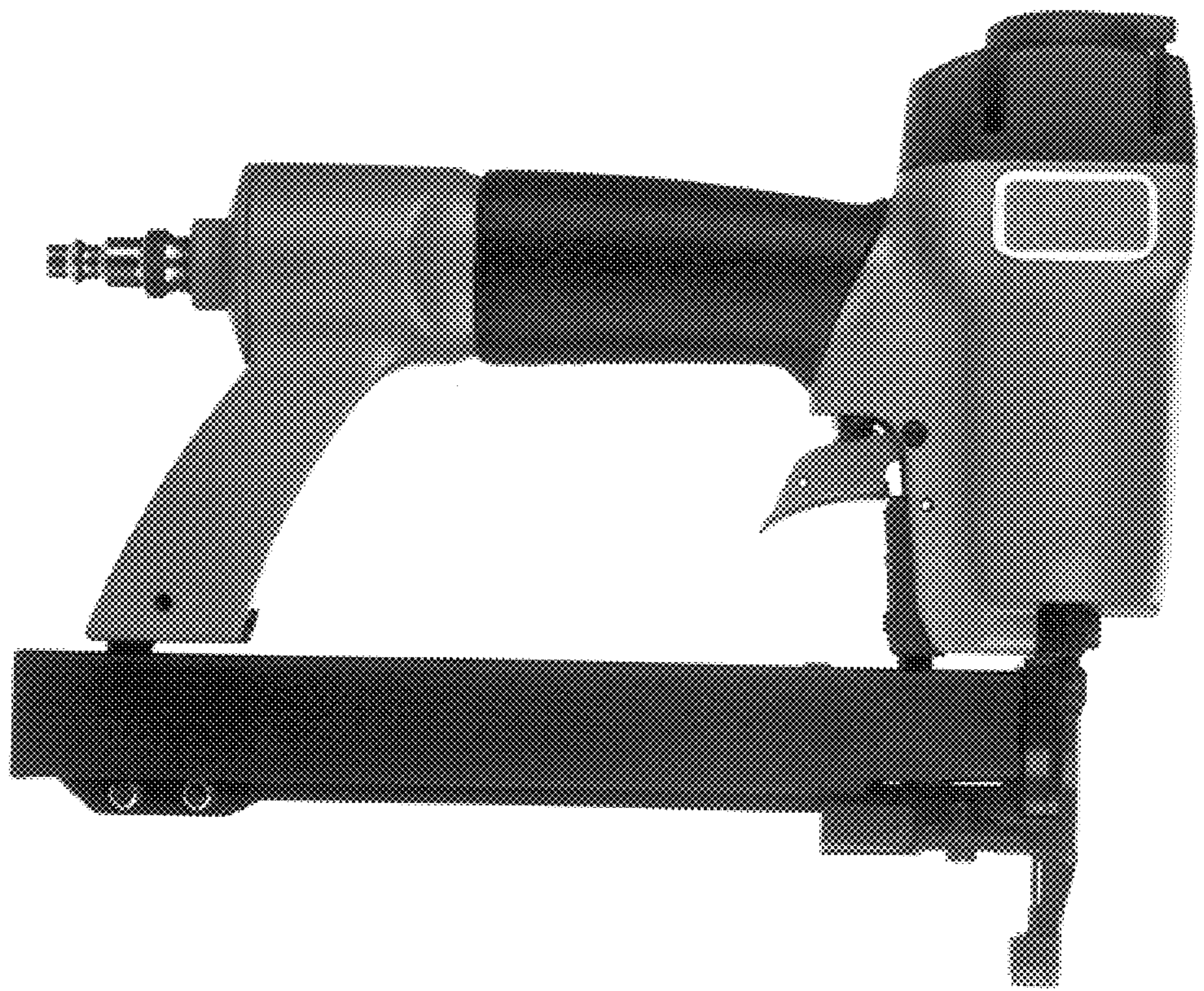


FIG. 6

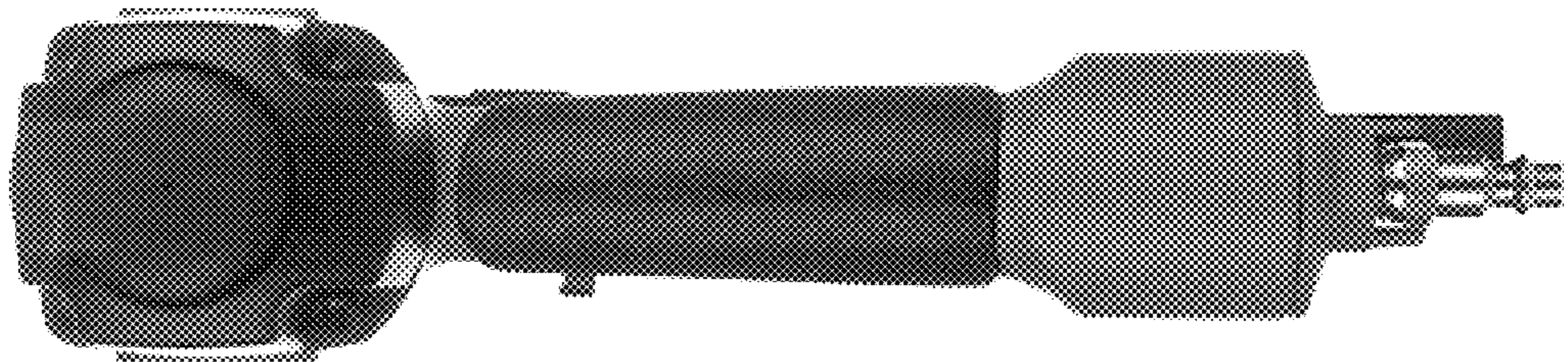


FIG. 7

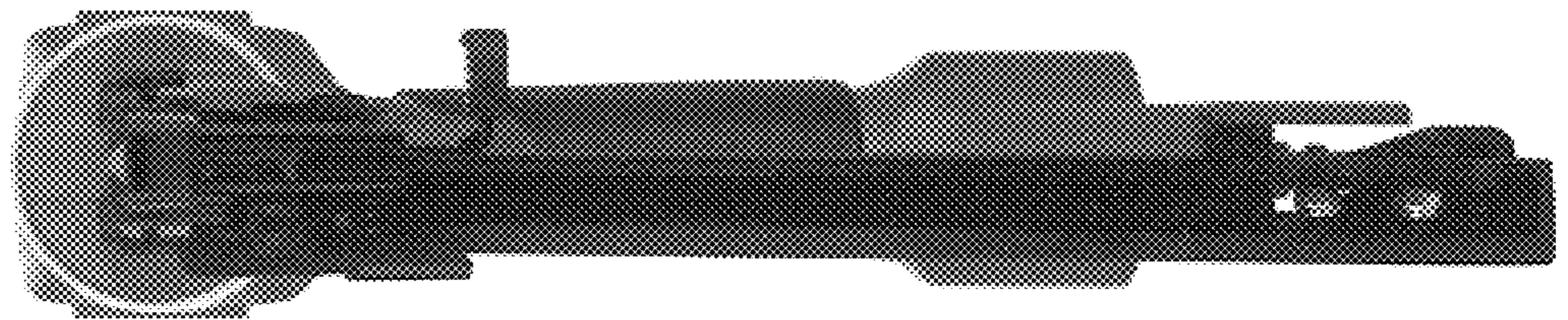


FIG. 8

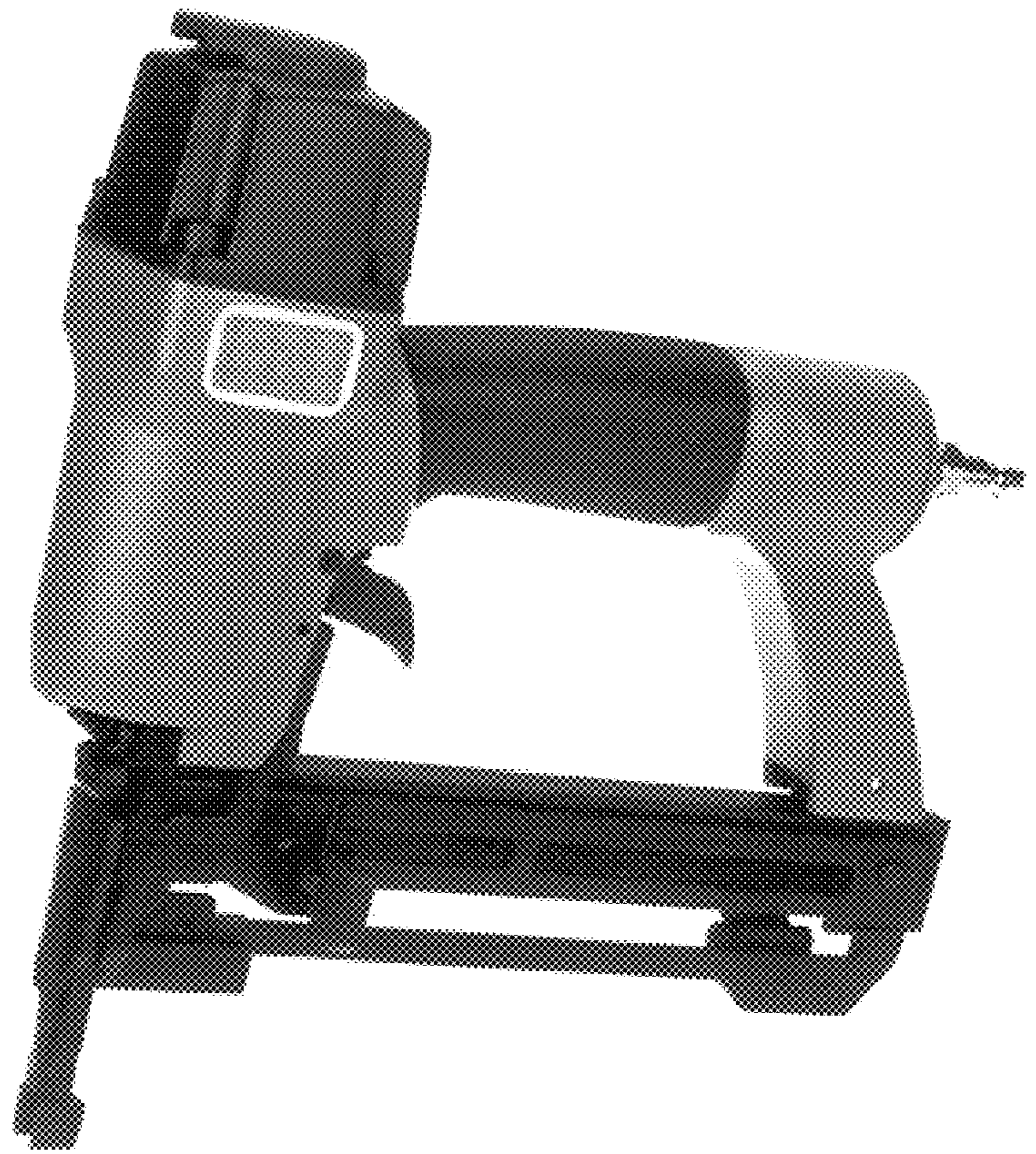


FIG. 9

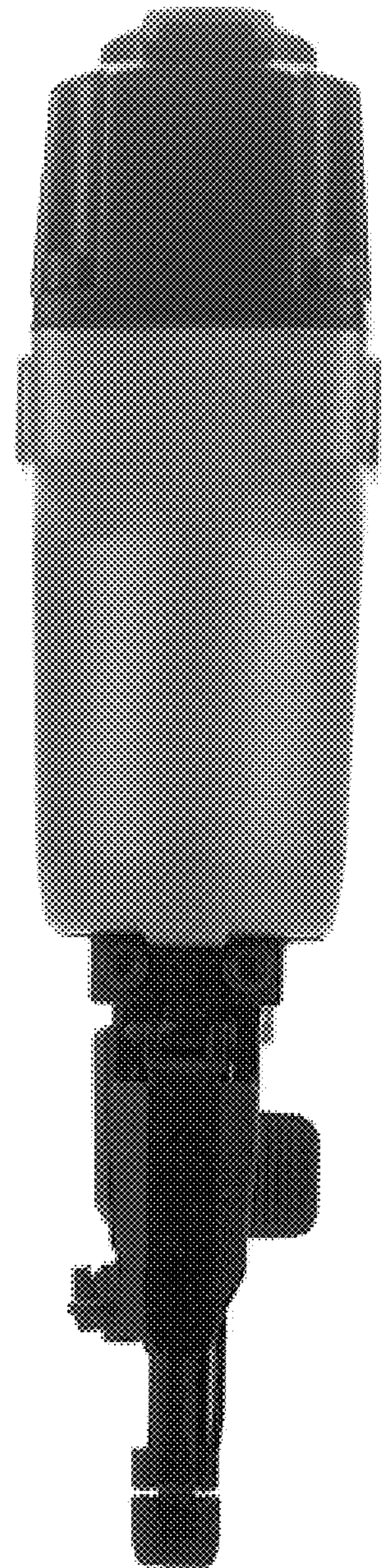


FIG. 10

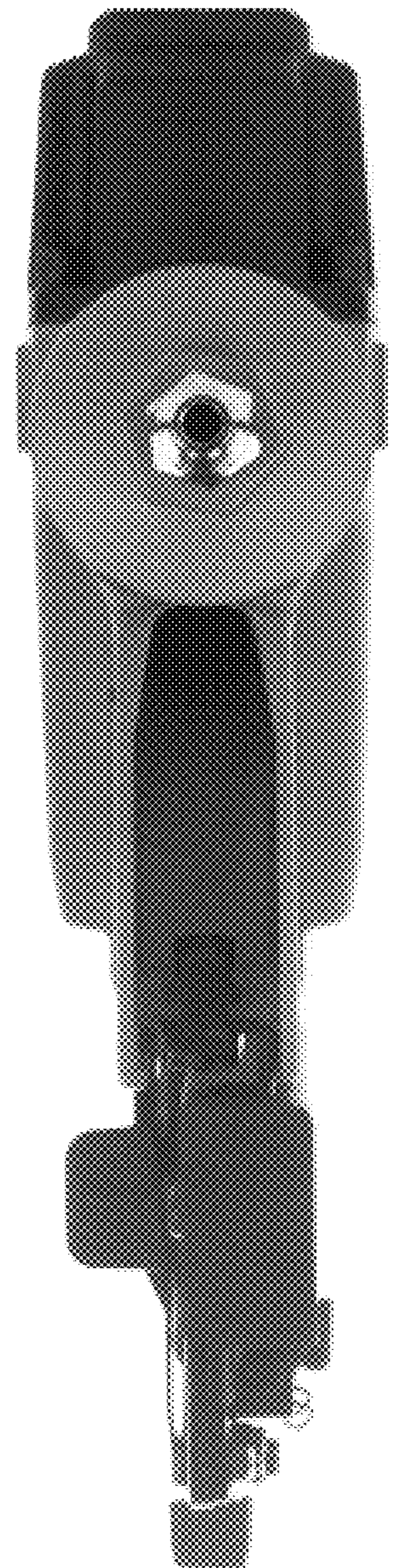


FIG. 11

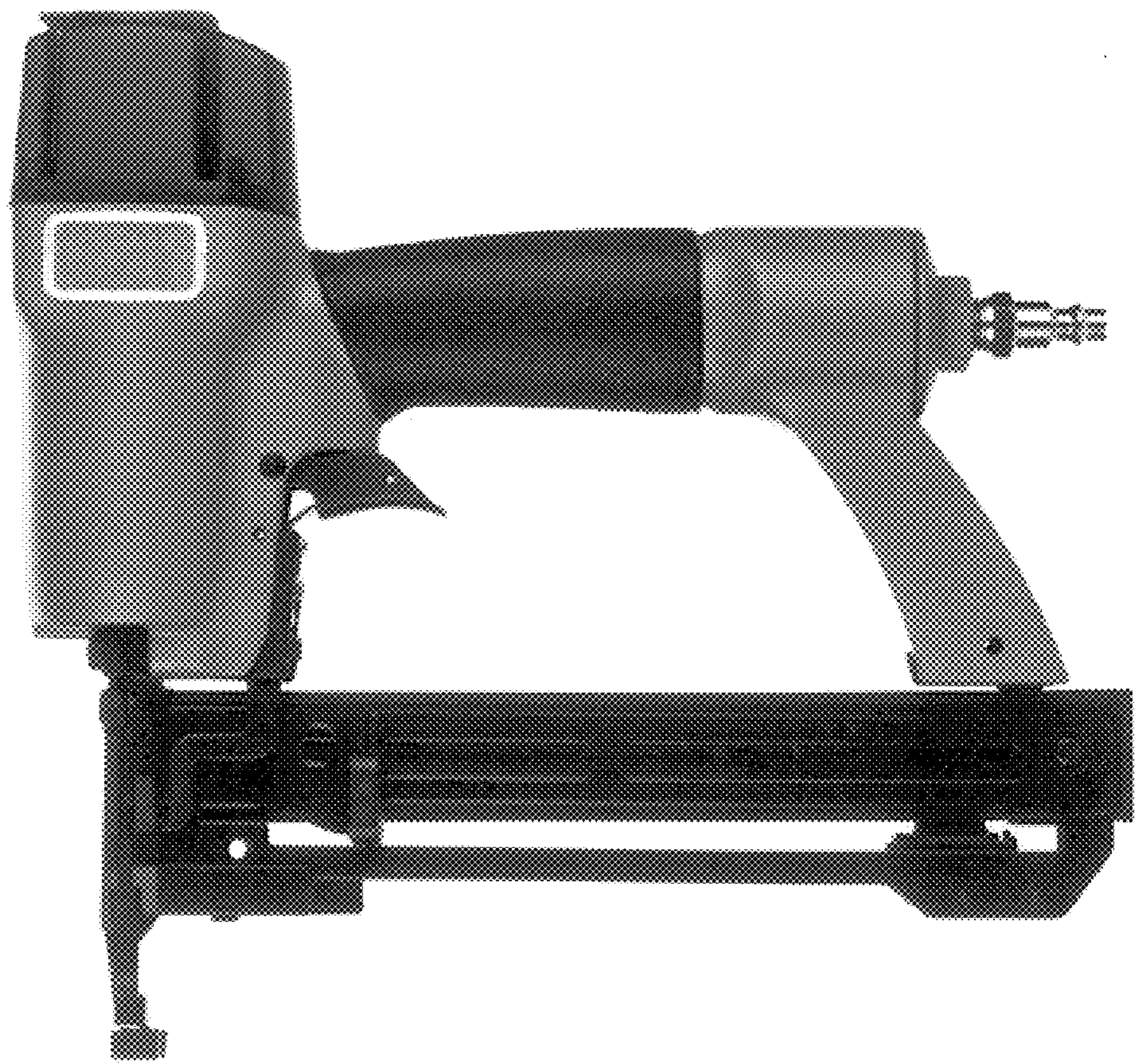


FIG. 12

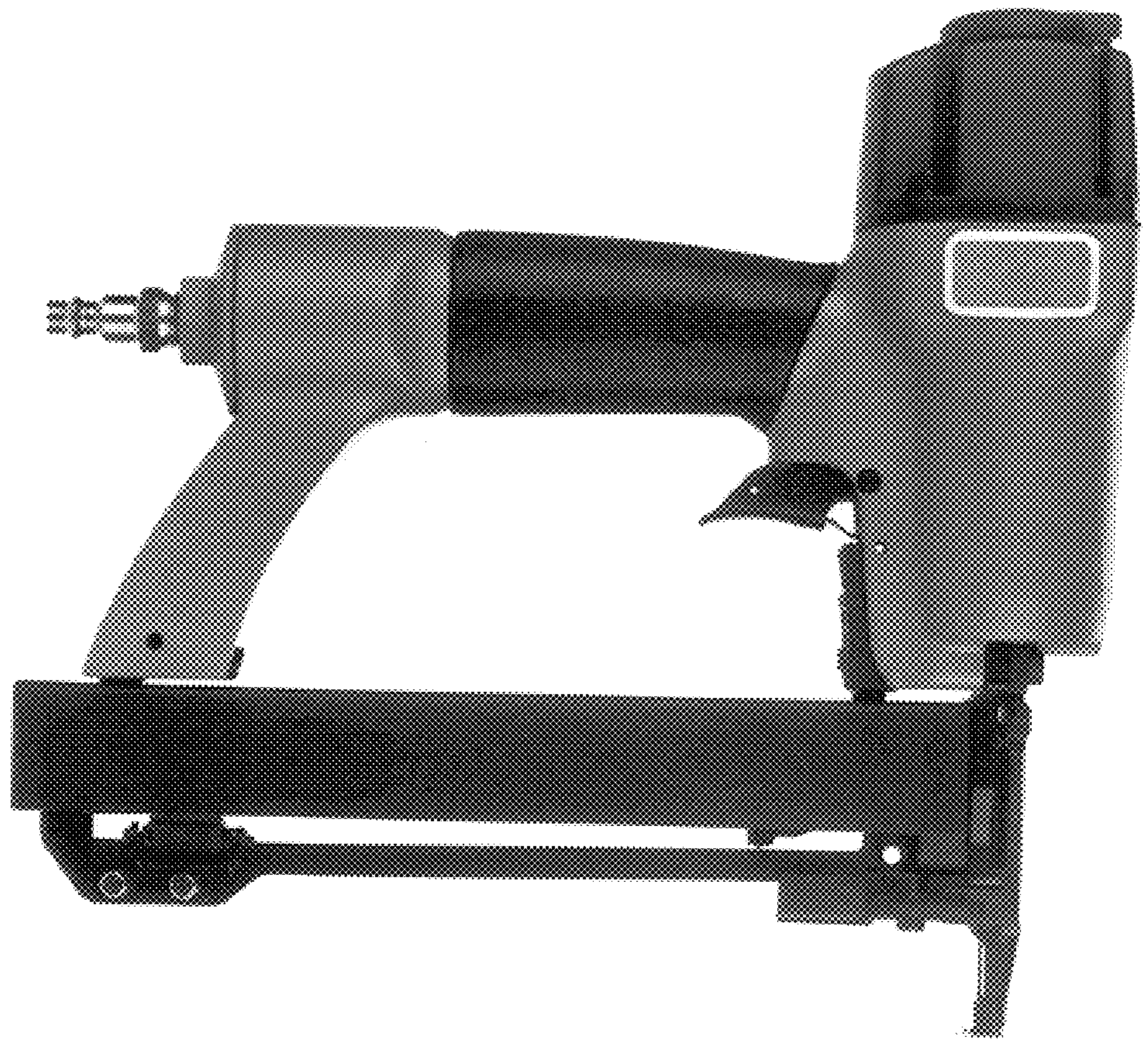


FIG. 13

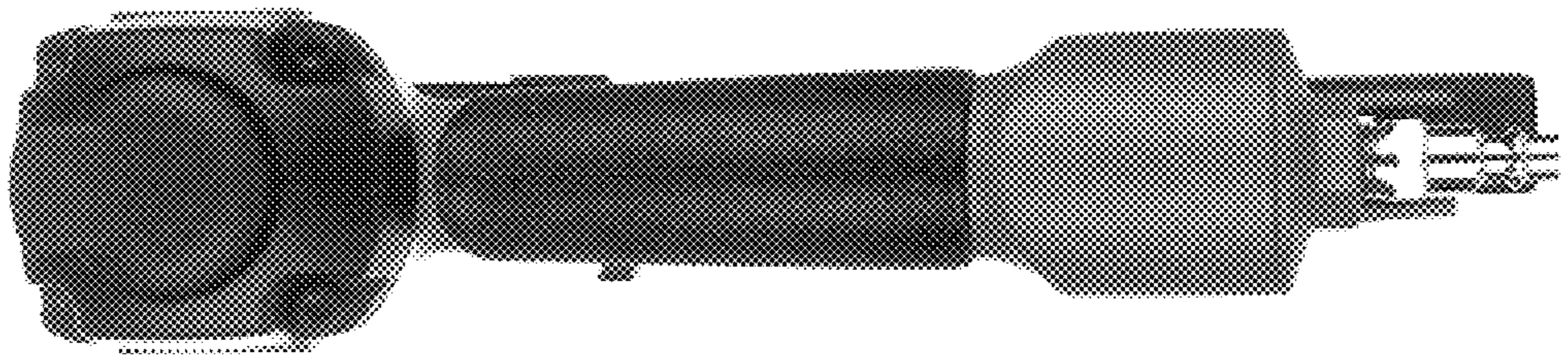


FIG. 14

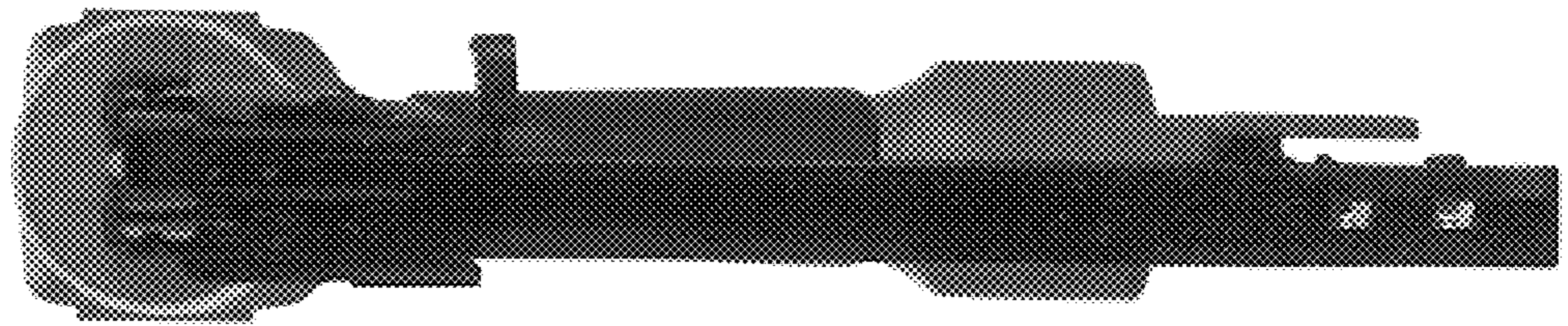


FIG. 15

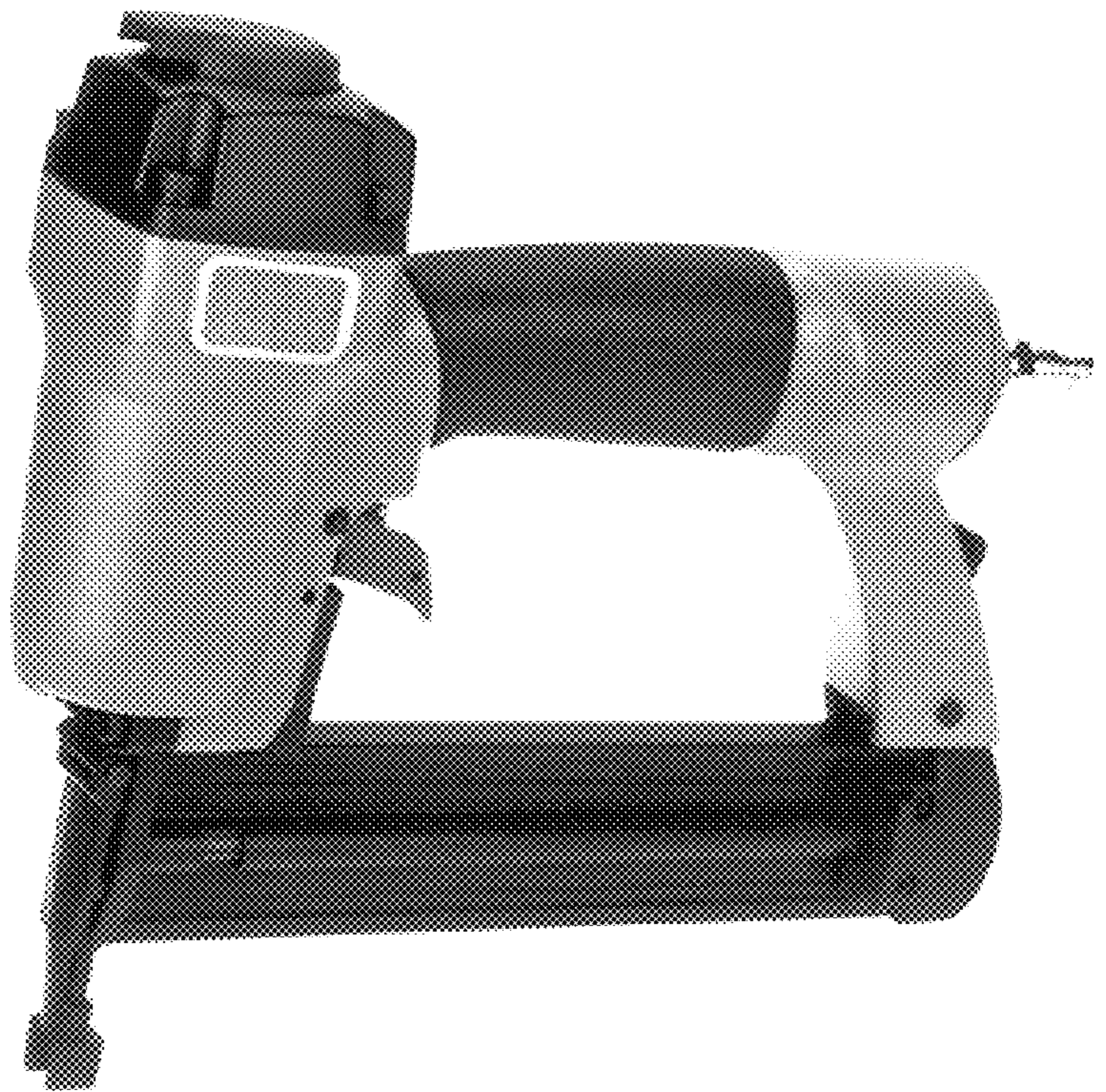


FIG. 16

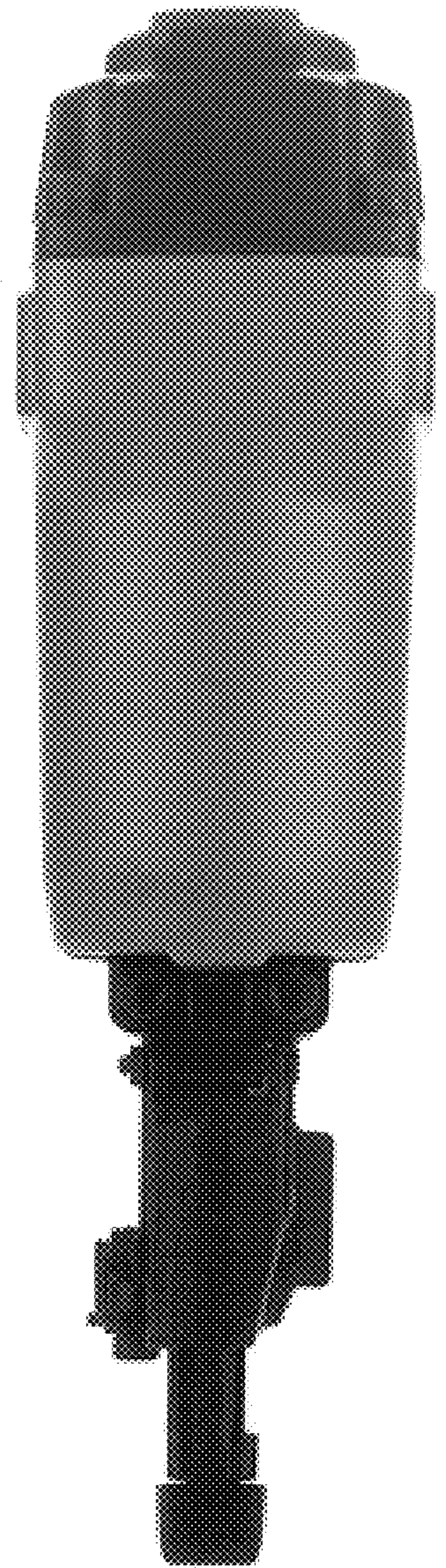


FIG. 17

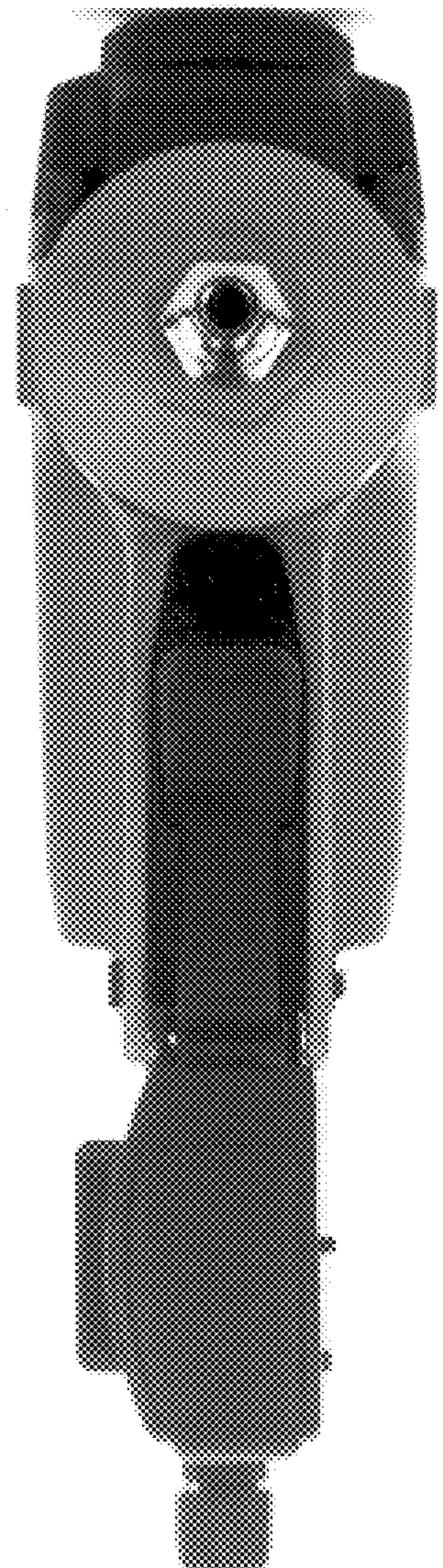


FIG. 18

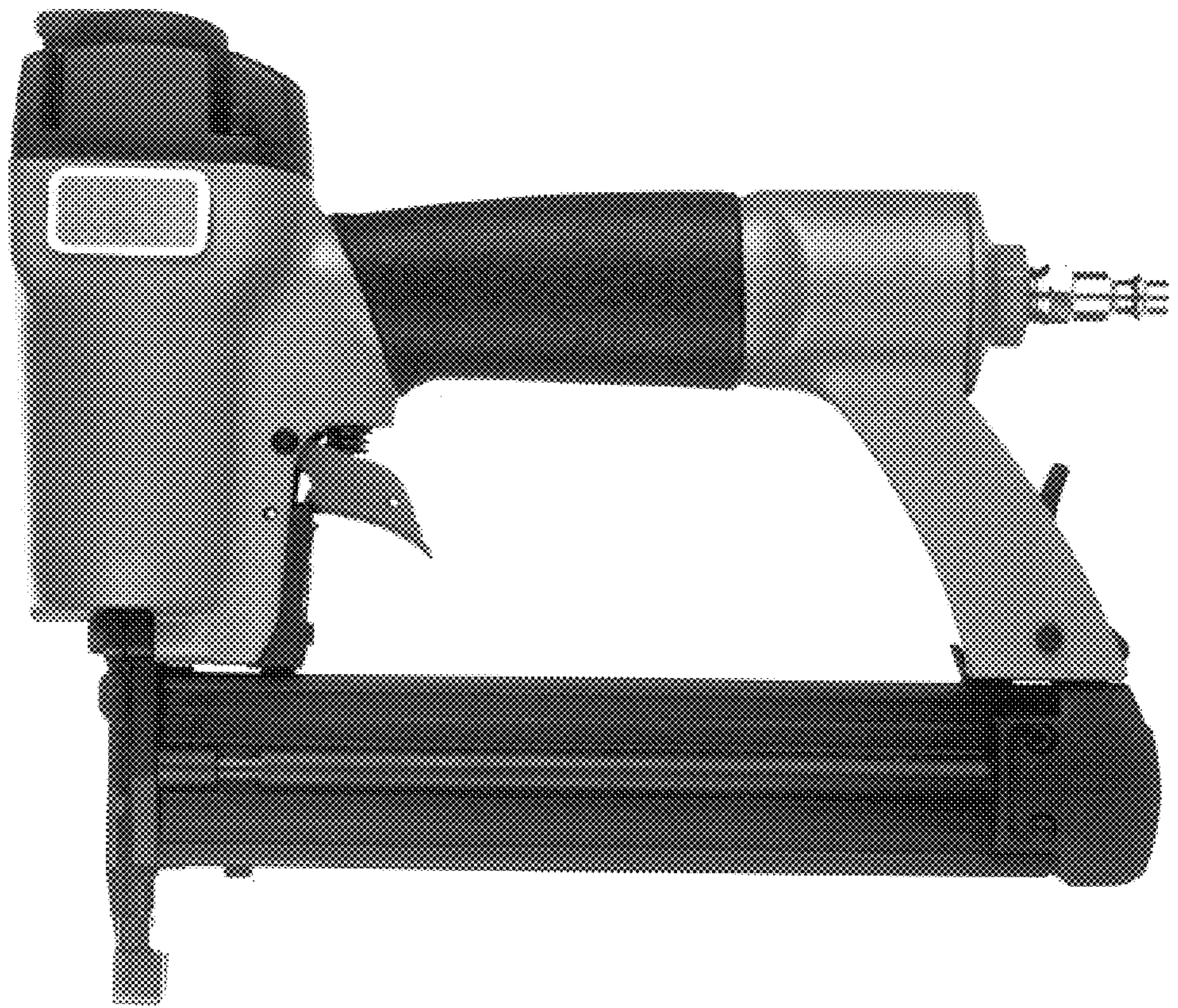


FIG. 19

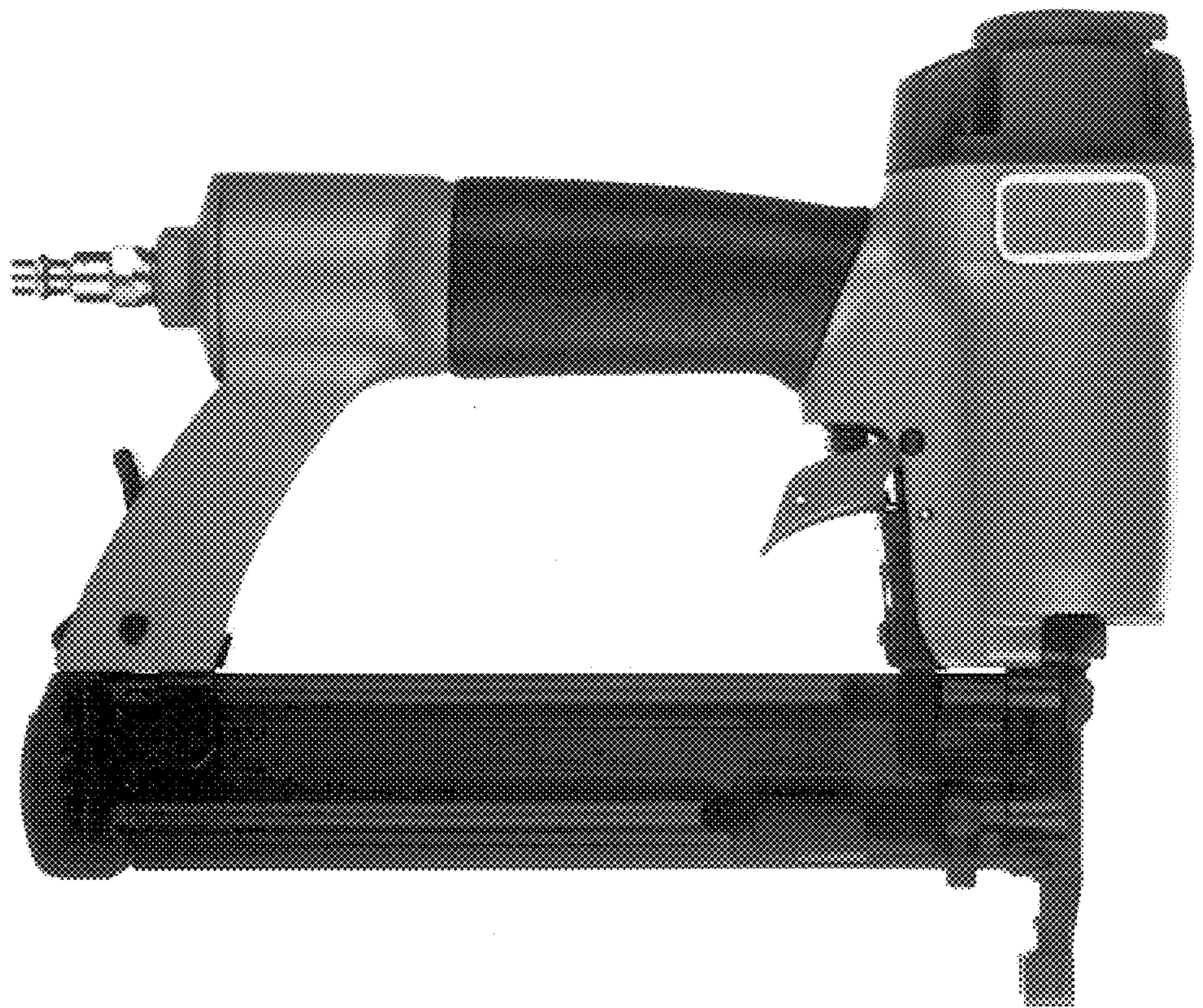


FIG. 20



FIG. 21

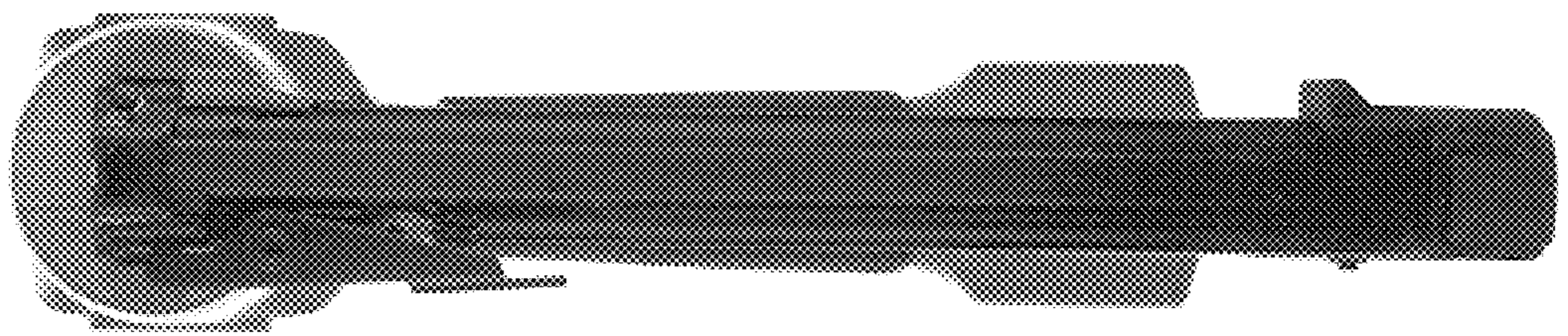


FIG. 22



FIG. 23

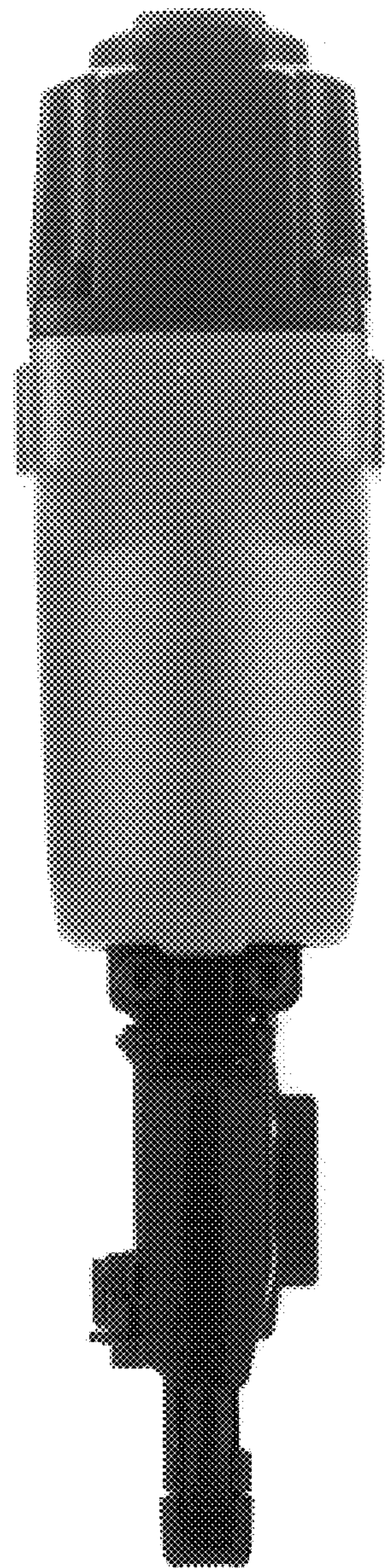


FIG. 24

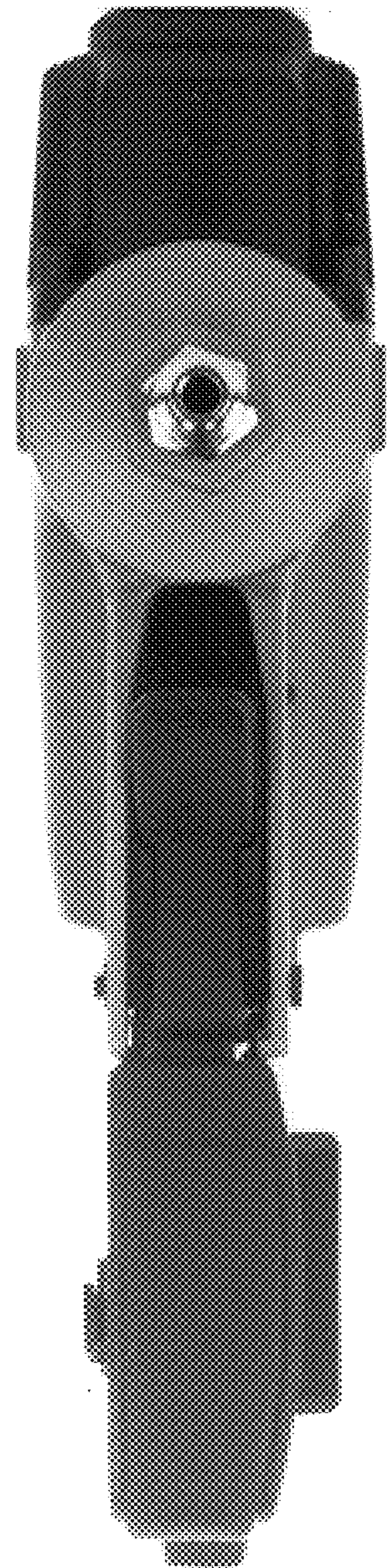


FIG. 25

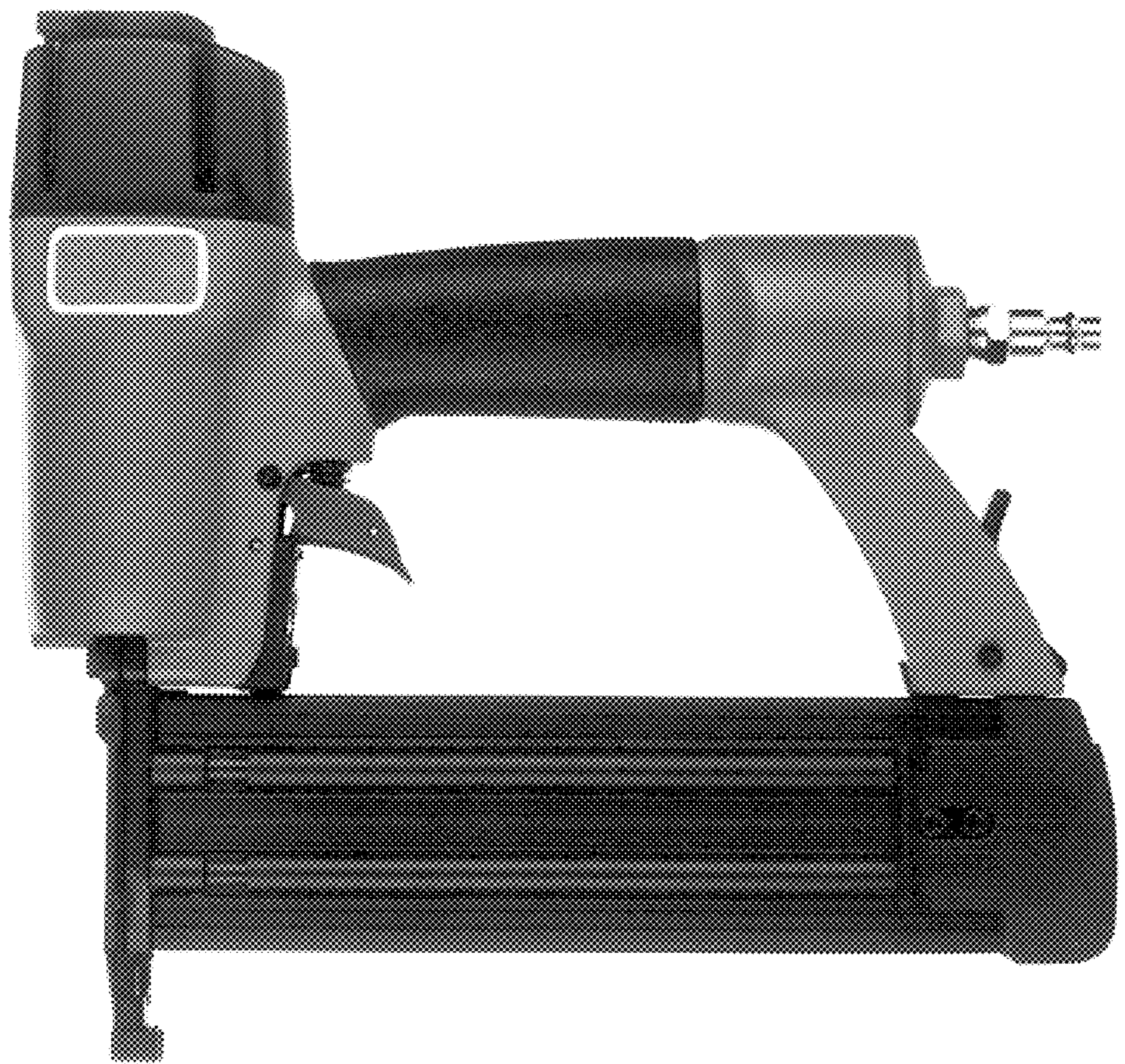


FIG. 26

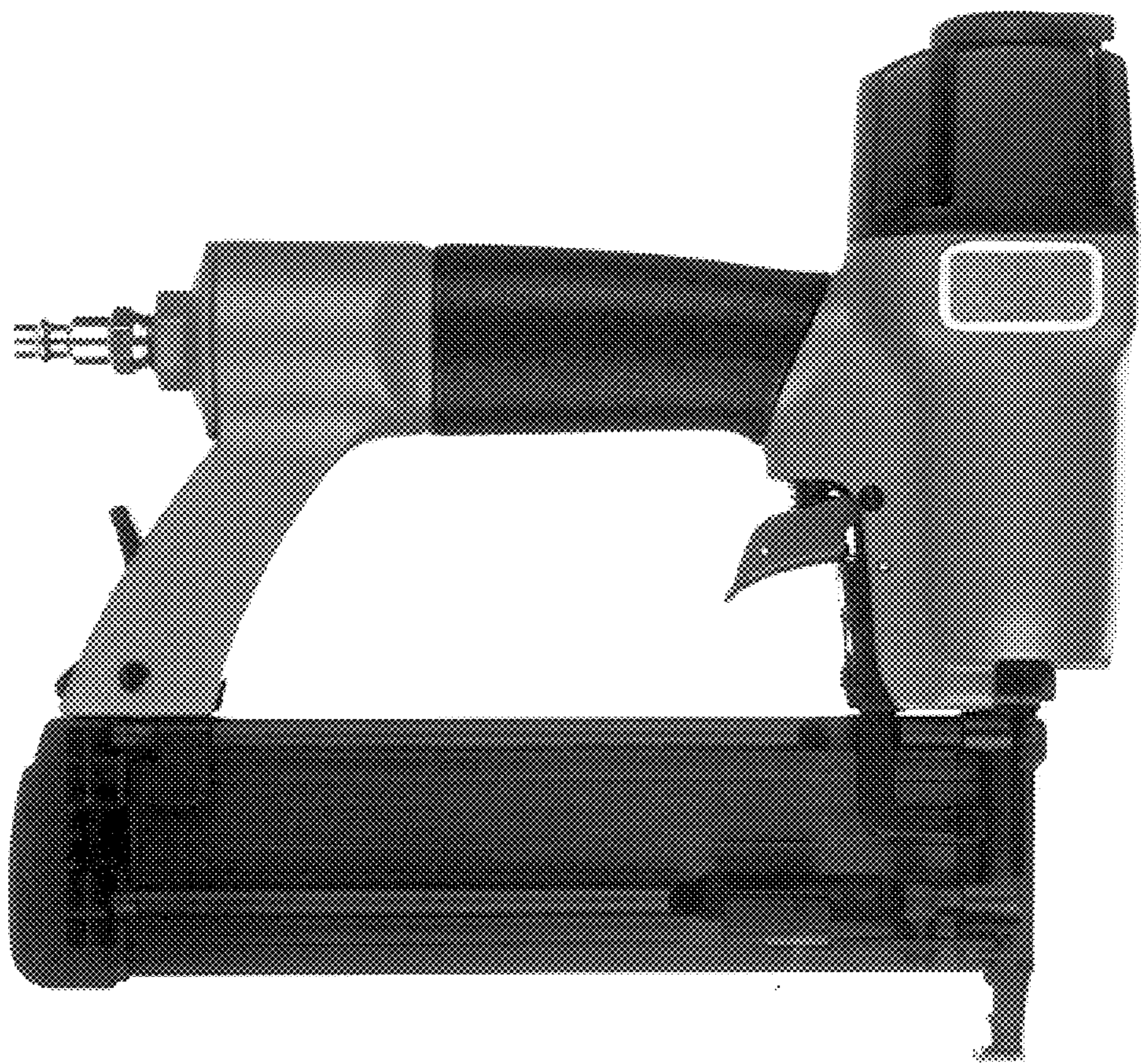


FIG. 27



FIG. 28

