



US00D435763S

(12) **United States Design Patent**
Potter et al.

(10) **Patent No.:** **US D435,763 S**

(45) **Date of Patent:** **** Jan. 2, 2001**

(54) **STRAP WINDER**

(75) Inventors: **Lawrence L. Potter**, Prophetstown, IL (US); **Thomas Wendt**, Colfax; **Mary E. Rybarczyk**, Baldwin, both of WI (US); **Ronald L. Kelly**, Tampico, IL (US)

(73) Assignee: **Quick Winch Products, Inc.**, Tampico, IL (US)

(**) Term: **14 Years**

(21) Appl. No.: **29/092,814**

(22) Filed: **Aug. 27, 1998**

Related U.S. Application Data

(63) Continuation-in-part of application No. 29/073,236, filed on Jul. 10, 1997, now abandoned.

(51) **LOC (7) Cl.** **08-05**

(52) **U.S. Cl.** **D8/14; D8/359**

(58) **Field of Search** D8/358, 359; 242/395, 242/405-3, 129.5, 423.2

(56) **References Cited**

U.S. PATENT DOCUMENTS

- D. 212,336 * 10/1968 Kircher D8/359
- D. 271,078 10/1983 Houghton D8/358
- D. 286,503 11/1986 Bobrovniczky D8/359

- D. 356,489 * 3/1995 Scardaoni D8/359
- D. 359,898 7/1995 Hartmann D8/359
- D. 396,629 * 8/1998 Huggins D8/359
- 3,934,834 1/1976 Gick et al. 242/395
- 3,954,226 5/1976 Pickering 242/395
- 4,813,625 3/1989 Takeda 242/532.6

* cited by examiner

Primary Examiner—Holly Baynham

(74) *Attorney, Agent, or Firm*—Wood, Phillips, VanSanten, Clark & Mortimer

(57) **CLAIM**

The ornamental design for a strap winder, as shown and described.

DESCRIPTION

FIG. 1 is a perspective view of a strap winder showing our new design;

FIG. 2 is a top view of the strap winder of FIG. 1;

FIG. 3 is a side view thereof, from below FIG. 2;

FIG. 4 is a side view thereof, from above FIG. 2, with the winder rotated 180°;

FIG. 5 is a bottom view of the strap winder according to FIG. 1;

FIG. 6 is an end view thereof, taken from the left of FIG. 4; and,

FIG. 7 is an end view thereof, taken from the right of FIG. 4.

1 Claim, 4 Drawing Sheets

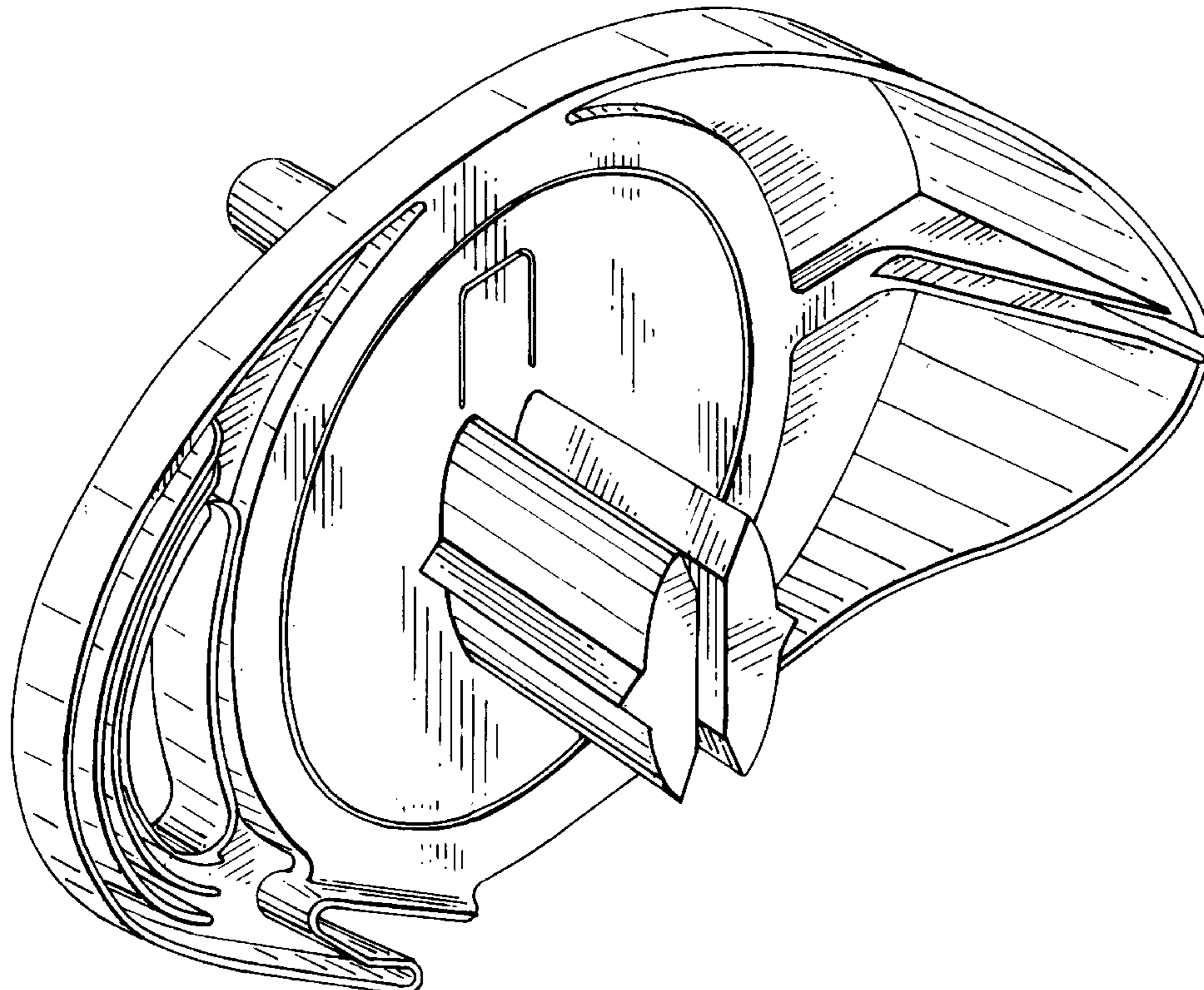


FIG. 1

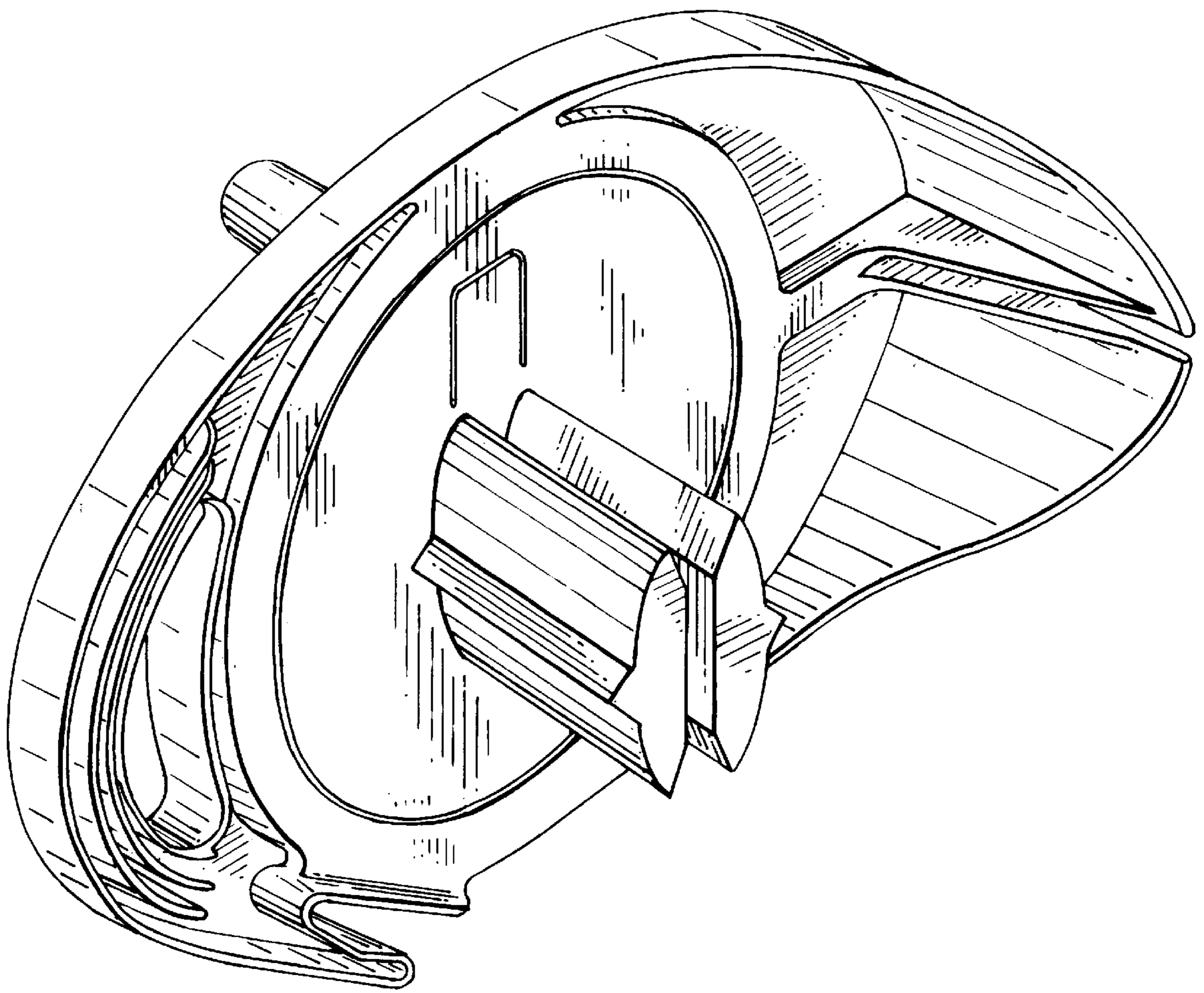


FIG. 2

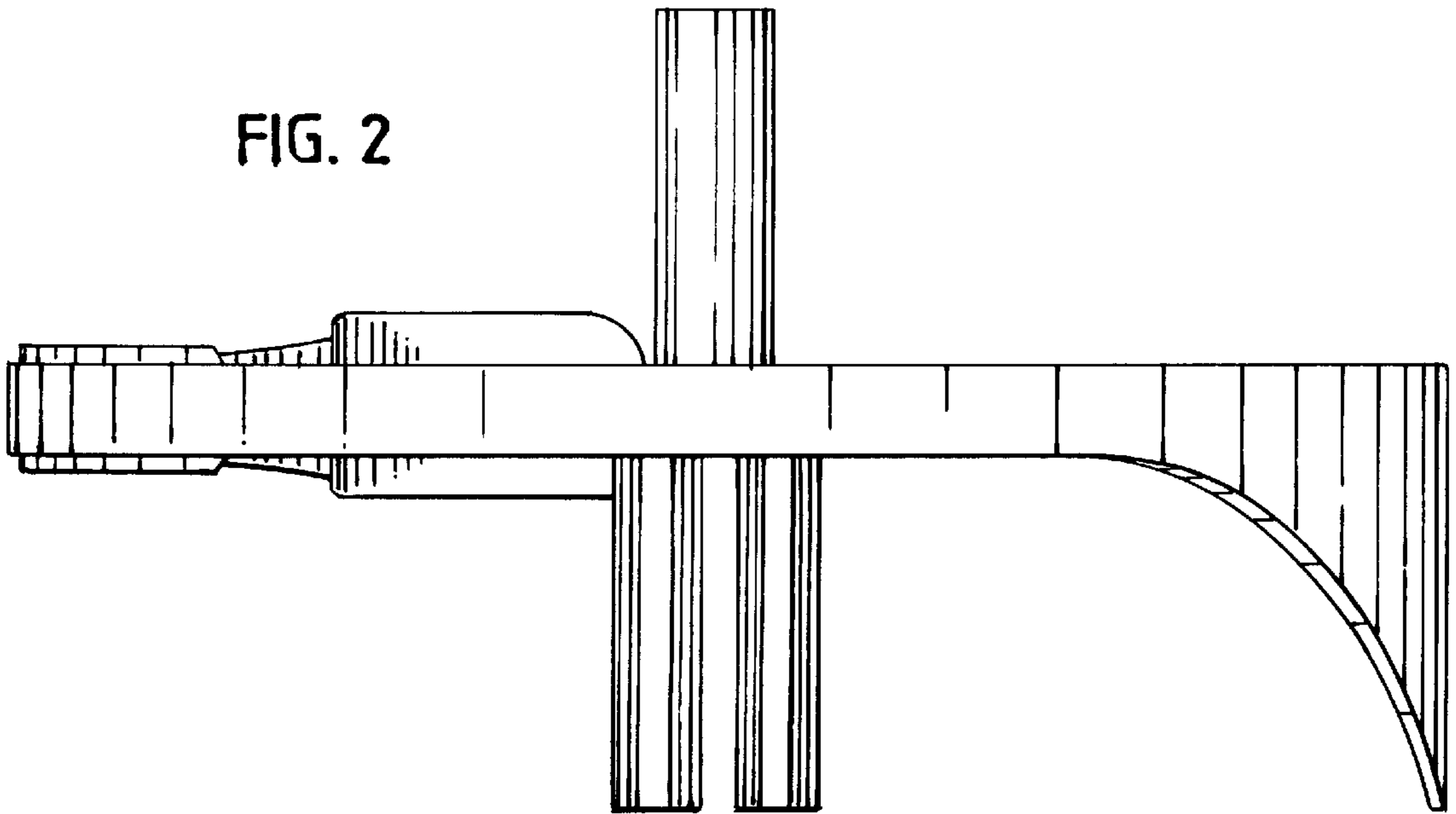


FIG. 3

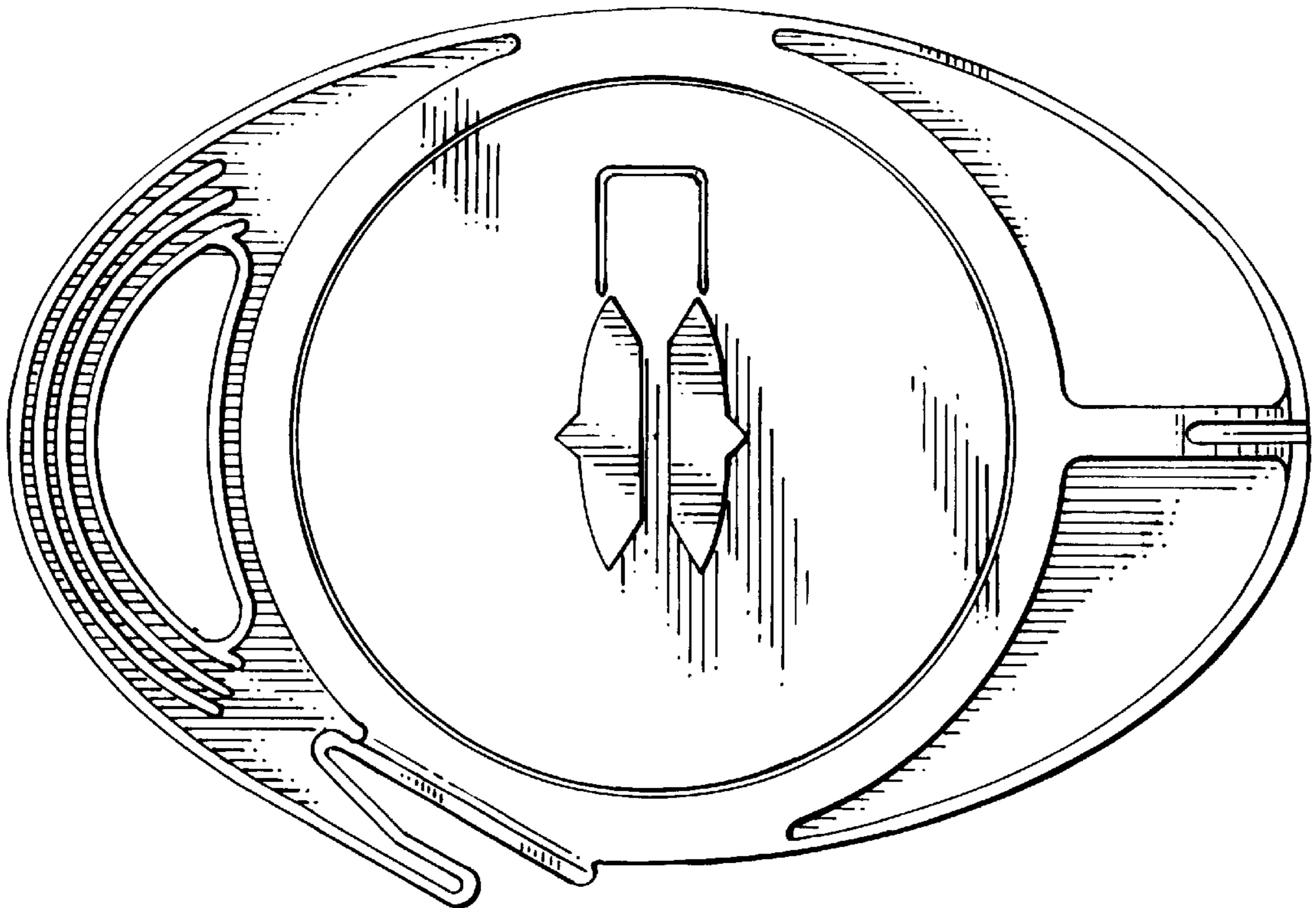


FIG. 4

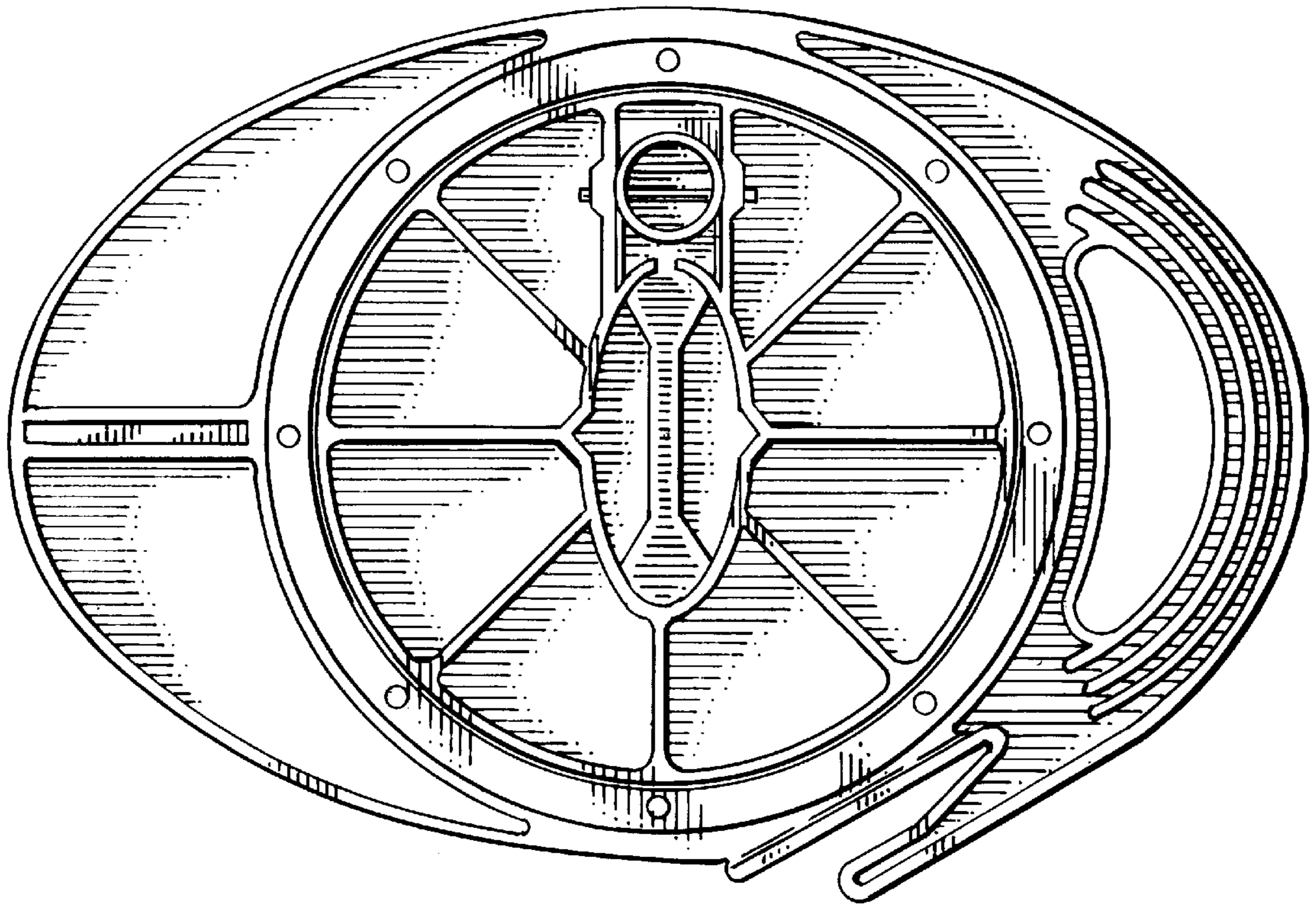


FIG. 5

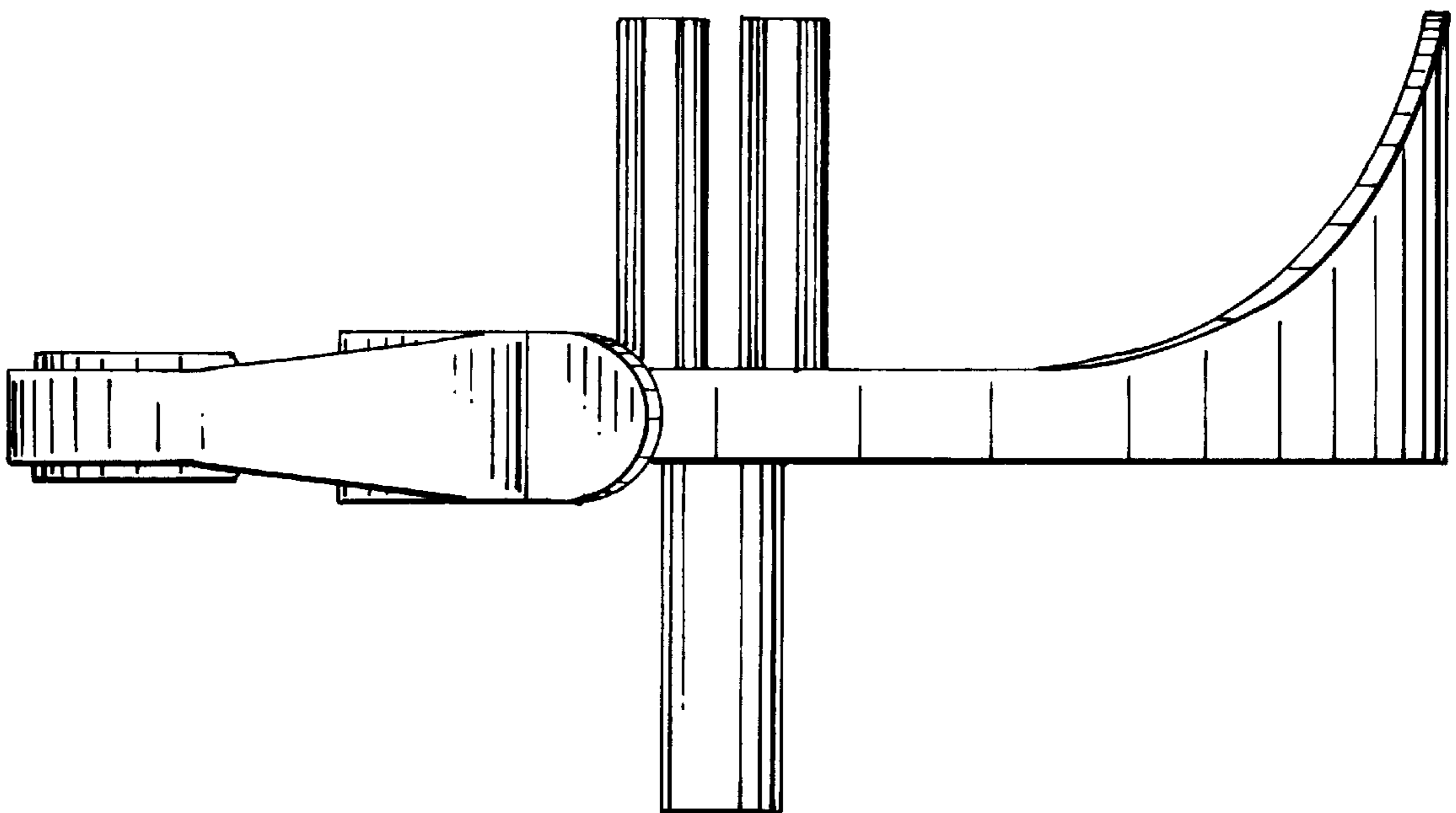


FIG. 6

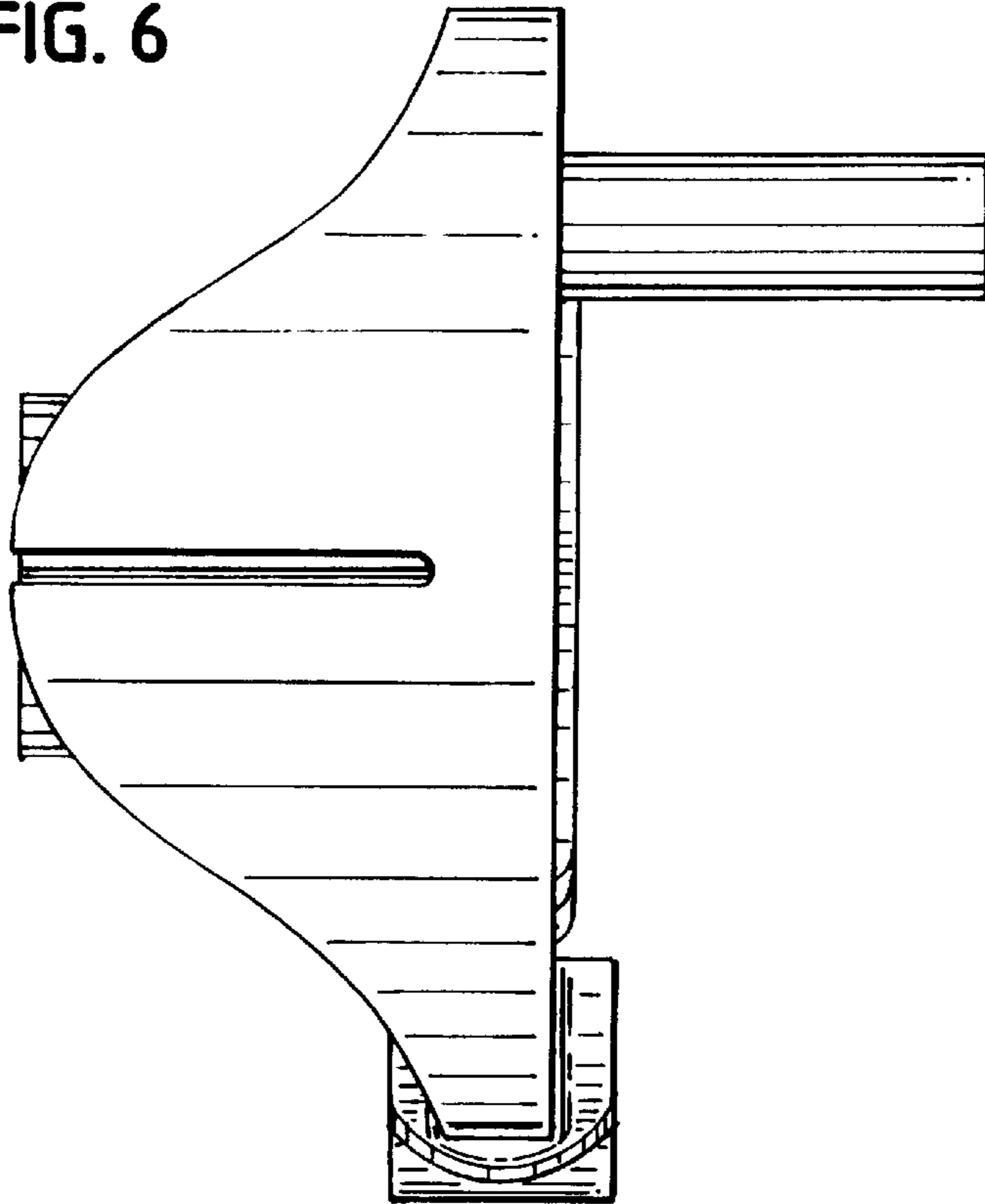


FIG. 7

