



US00D435761S

(12) **United States Design Patent**
Johnson

(10) **Patent No.:** **US D435,761 S**

(45) **Date of Patent:** **** Jan. 2, 2001**

(54) **HANDLE FOR A BARBECUE GRILL**

(75) Inventor: **Mark Johnson**, Wilmette, IL (US)

(73) Assignee: **Weber-Stephen Products Company**,
Palatine, IL (US)

(**) Term: **14 Years**

(21) Appl. No.: **29/116,096**

(22) Filed: **Dec. 27, 1999**

(51) **LOC (7) Cl.** **07-02**

(52) **U.S. Cl.** **D7/402**

(58) **Field of Search** D7/332-337, 402,
D7/403; 126/25 R, 25 A, 25 AA, 25 B,
29-30, 9 R, 9 B, 39 R, 41 R, 26, 38, 40,
50; 99/419, 421 R, 421 HV; D8/303, 300,
315, 317; 220/759; 16/114 R, 110 A, 116 R

(56) **References Cited**

U.S. PATENT DOCUMENTS

D. 379,581	*	6/1997	Sieg et al.	D8/316
D. 408,709	*	4/1999	Wang	D8/306
D. 420,546	*	2/2000	Pai	D7/332
D. 428,760	*	8/2000	Huang	D7/334
3,656,594	*	4/1972	Marks et al.	16/126
5,076,252	*	12/1991	Schlosser et al.	126/25 R

* cited by examiner

Primary Examiner—Ruth McInroy

(74) *Attorney, Agent, or Firm*—Wallenstein & Wagner Ltd.

(57) **CLAIM**

I claim the ornamental design for a handle for a barbecue grill, as shown and described.

DESCRIPTION

FIG. 1 is a front perspective view of a handle for a barbecue grill showing my new design;

FIG. 2 is a front elevational view thereof;

FIG. 3 is a top plan view thereof;

FIG. 4 is a bottom plan view thereof;

FIG. 5 is a side elevational view thereof, the opposite side being identical;

FIG. 6 is a perspective view of a second embodiment thereof;

FIG. 7 is a front elevational view of FIG. 6, the rear view being identical; and,

FIG. 8 is a side elevational view of FIG. 6, the opposite side being identical.

The details shown in broken lines are for illustrative purposes only and form no part of the claimed design.

1 Claim, 3 Drawing Sheets

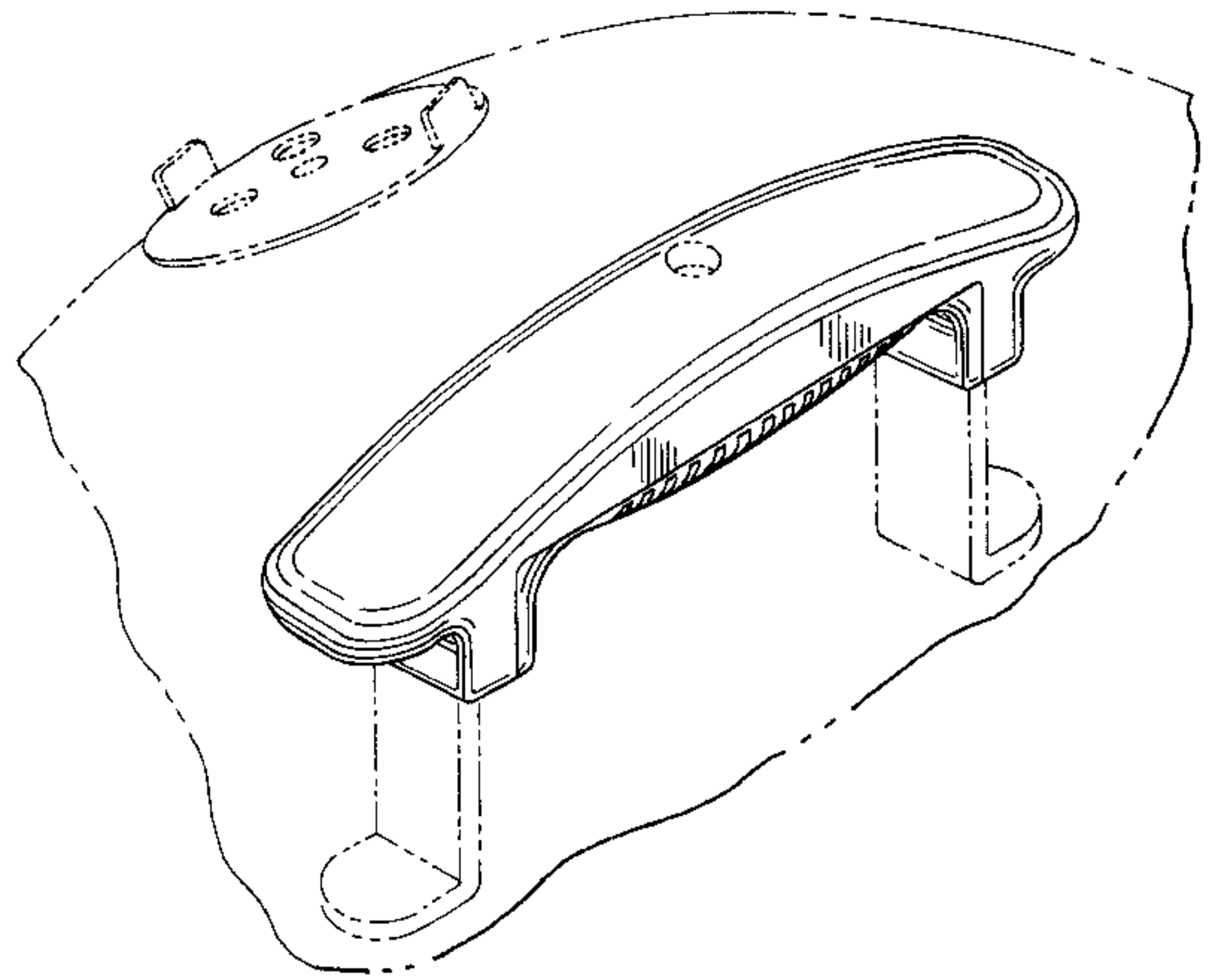
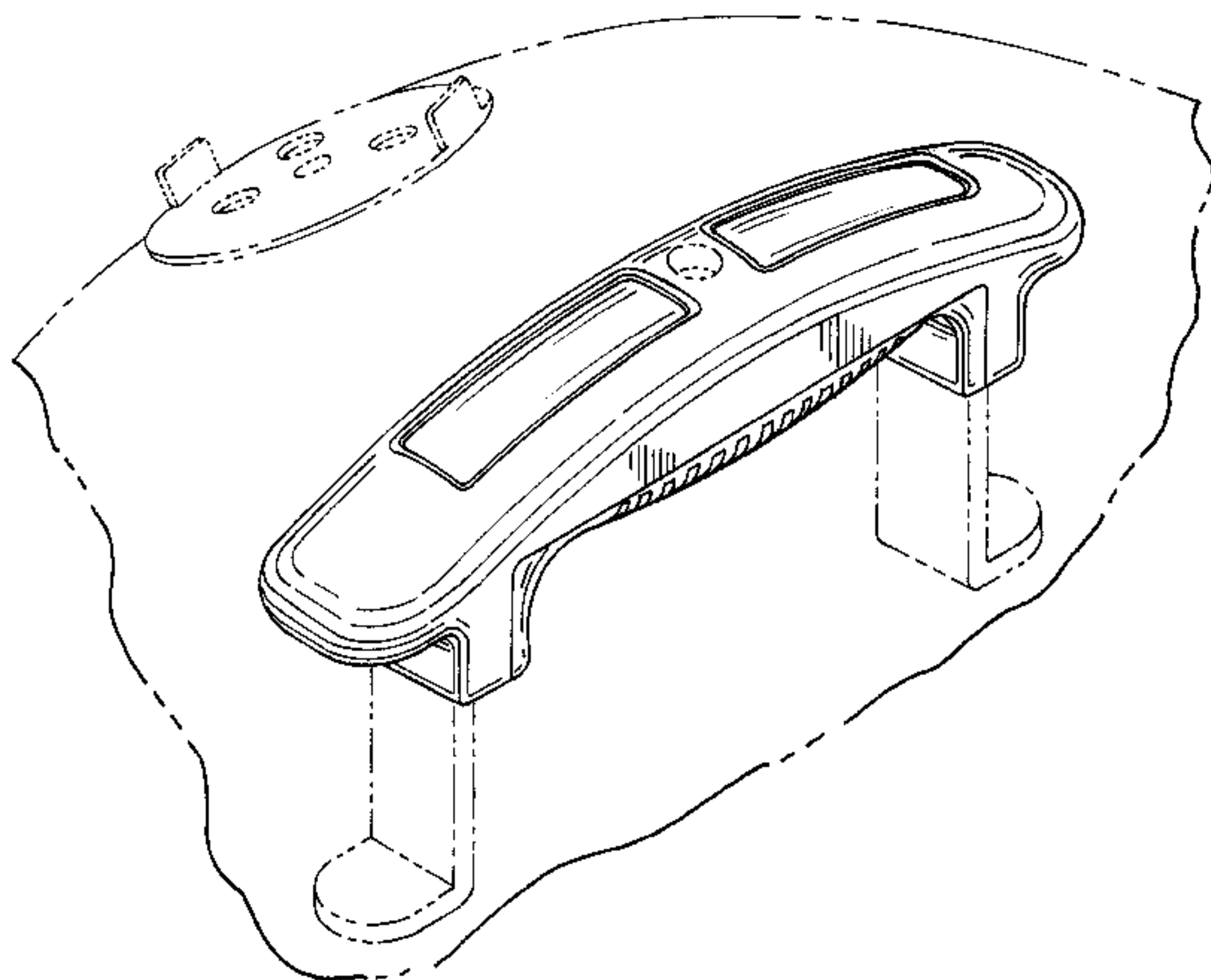


FIG. 1

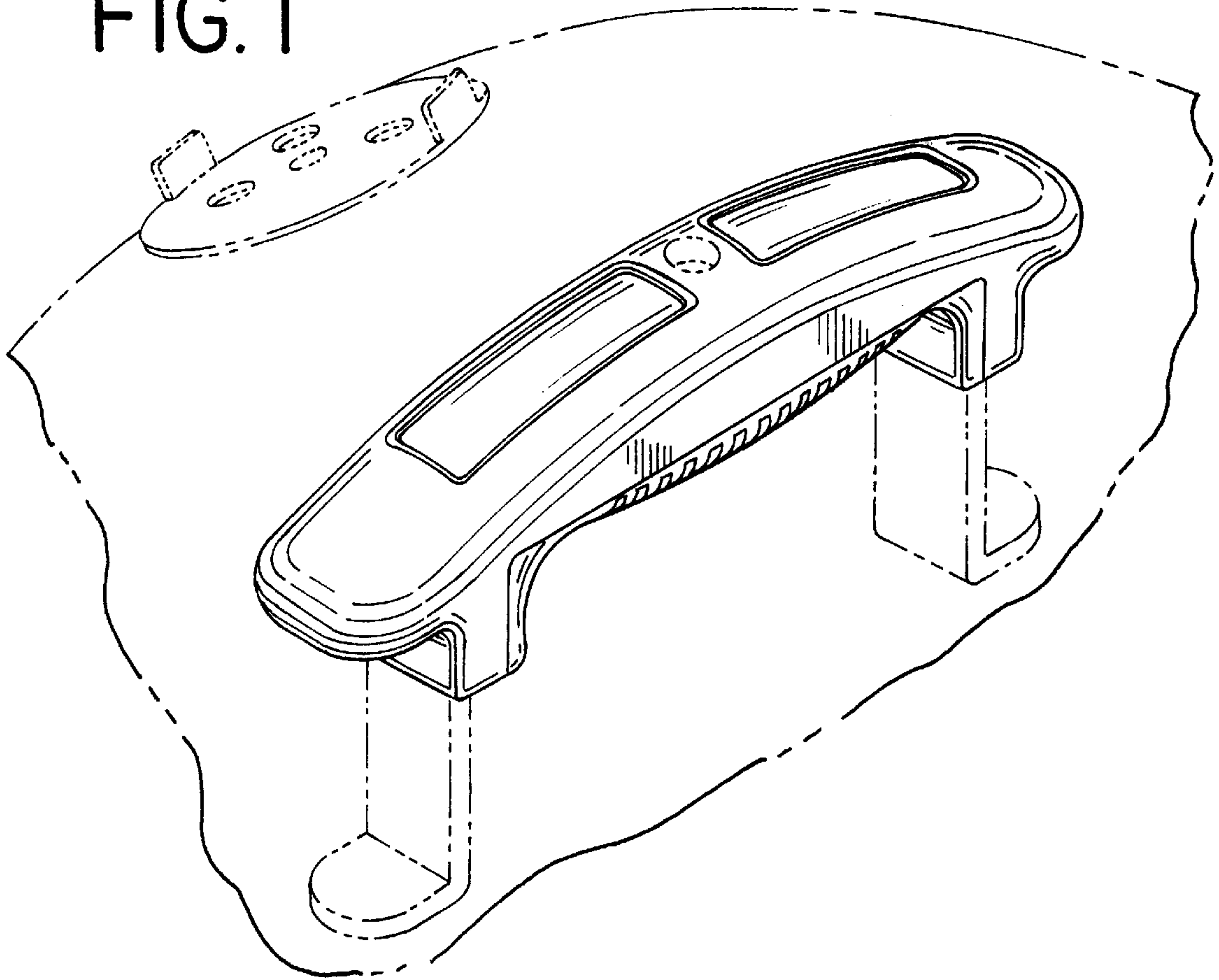


FIG. 2

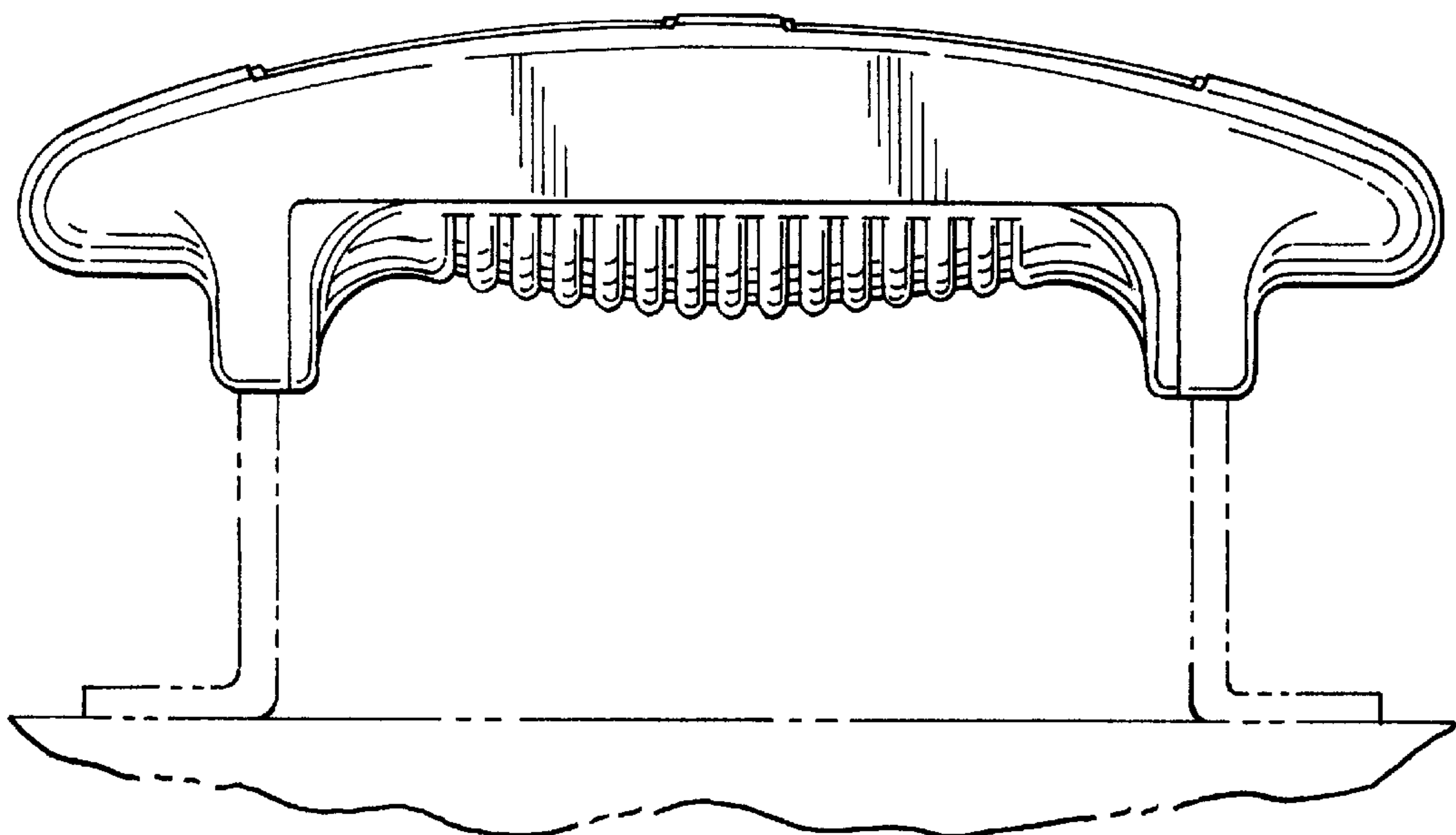


FIG. 3

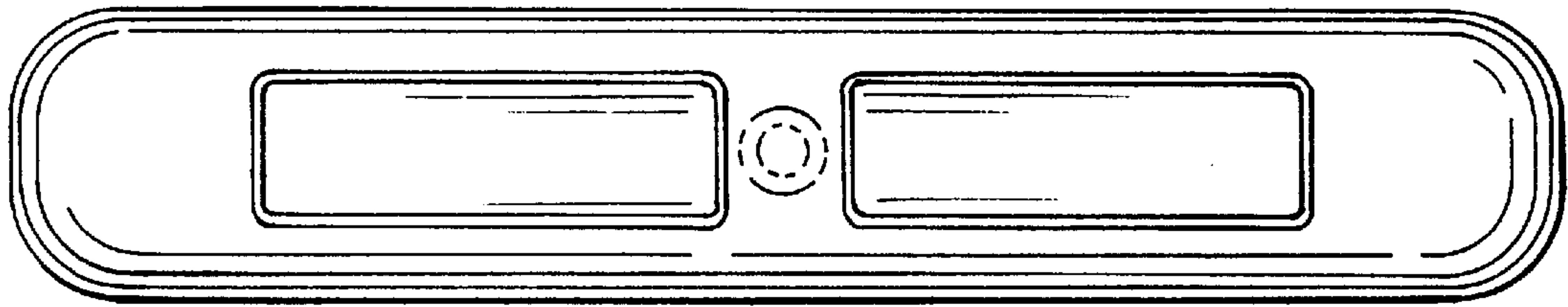


FIG. 4

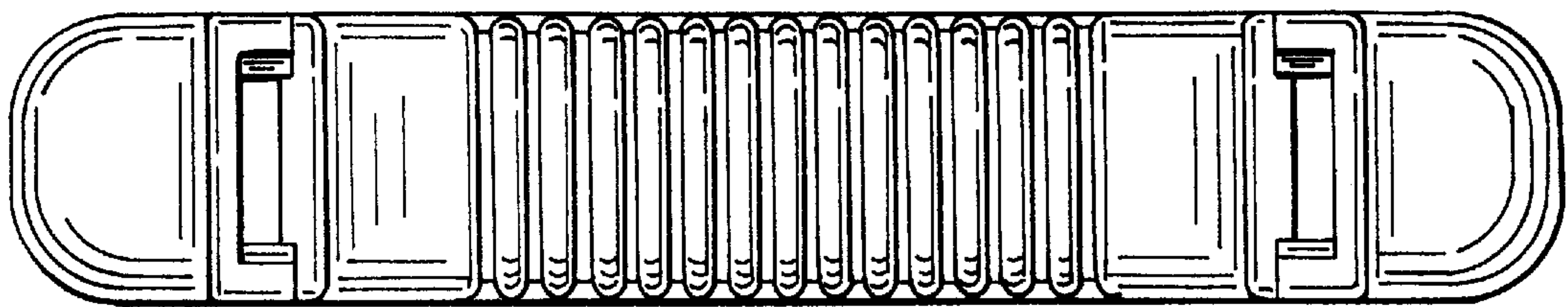


FIG. 5

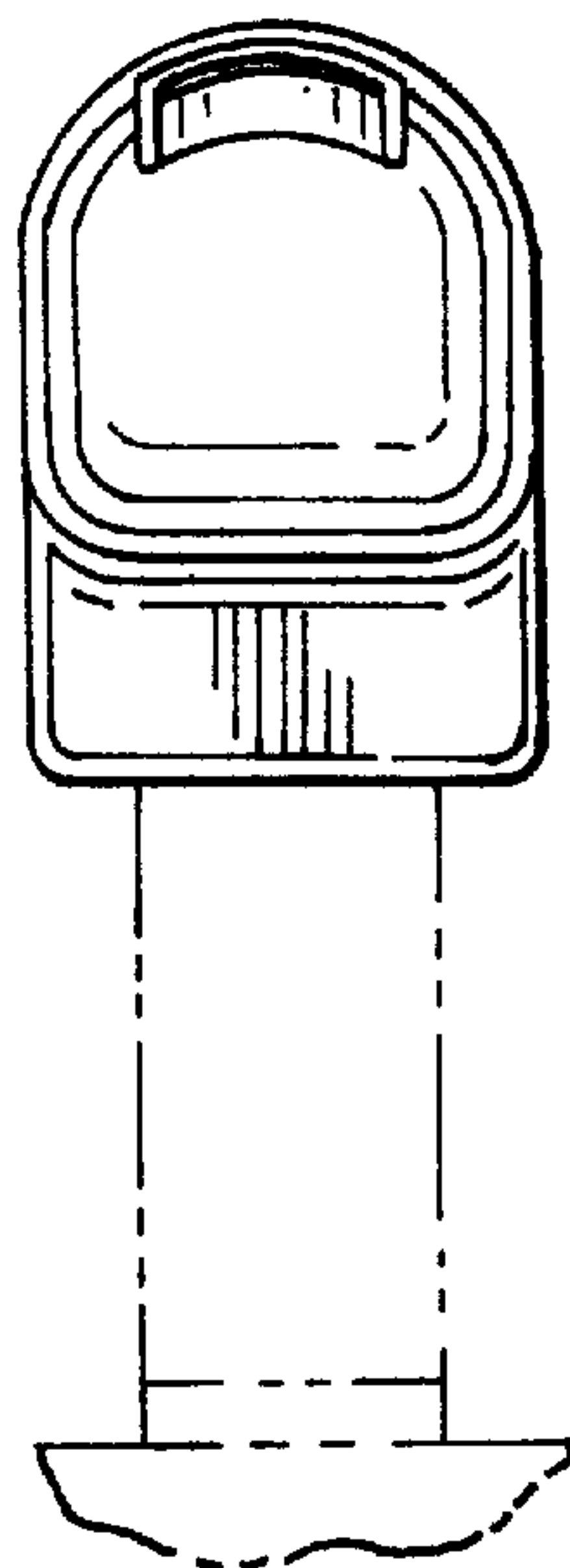


FIG. 6

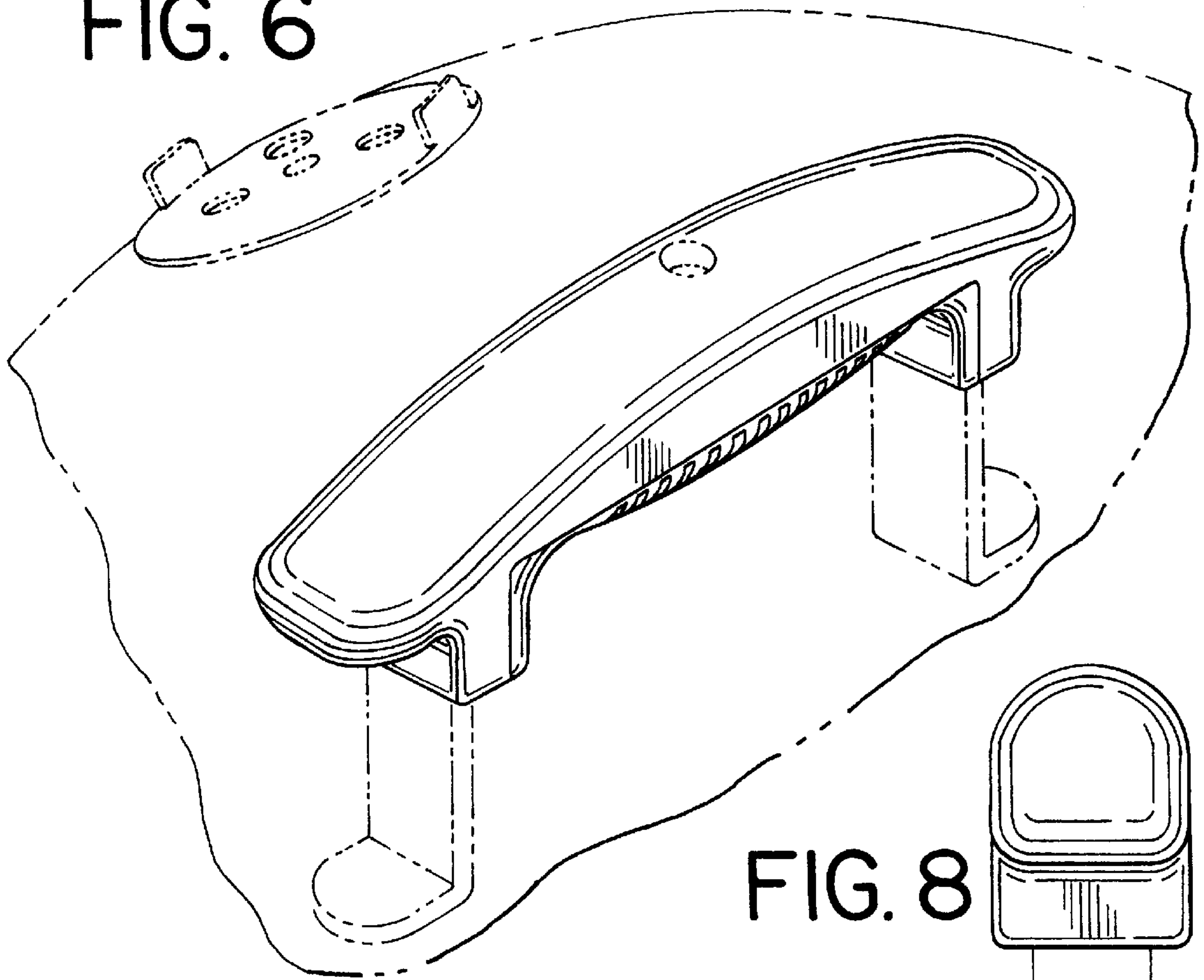


FIG. 8

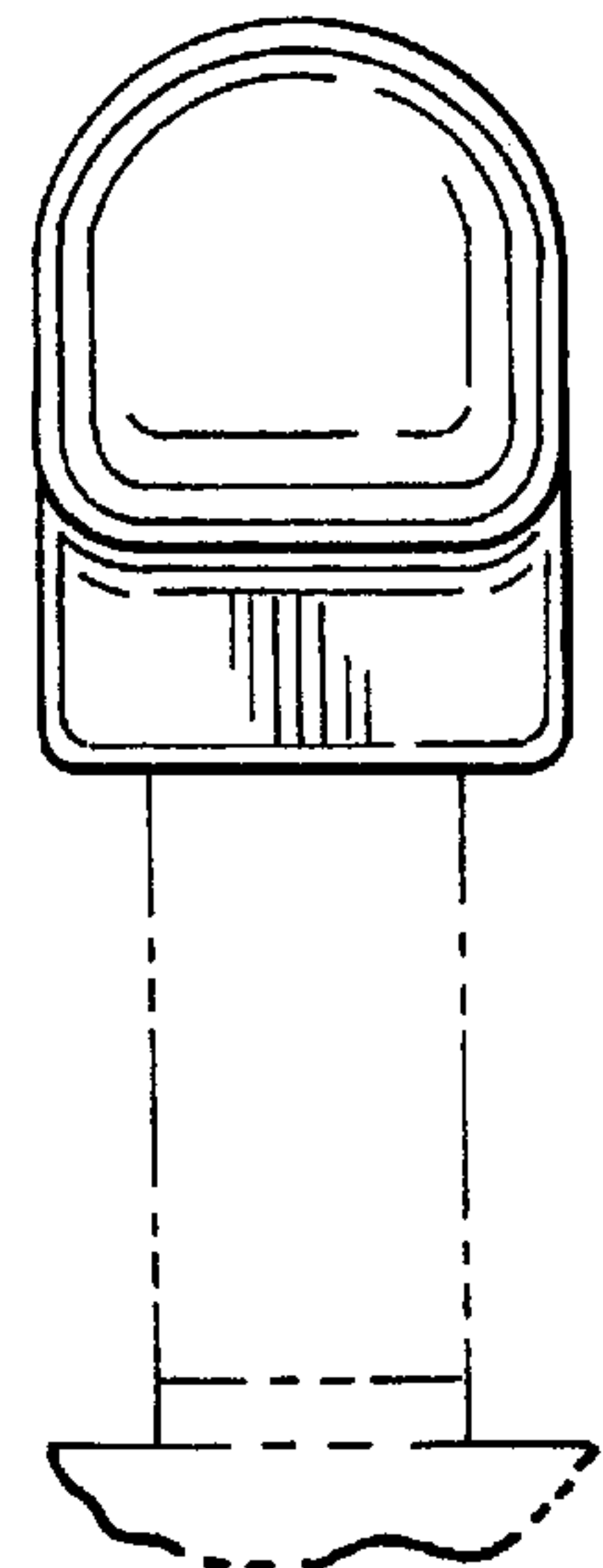


FIG. 7

