



US00D435757S

(12) **United States Design Patent**  
**Jo**

(10) **Patent No.:** **US D435,757 S**

(45) **Date of Patent:** **\*\* Jan. 2, 2001**

(54) **COVERED ELECTRIC PIZZA PAN**

D. 359,652 \* 6/1995 Mendelson et al. .... D7/362

D. 381,242 \* 7/1997 Rossiaud ..... D7/360

(75) Inventor: **Jong-Yeon Jo**, Inchon (KR)

\* cited by examiner

(73) Assignee: **Jae Woo Co., Ltd.**, Inchon (KR)

*Primary Examiner*—Caron D. Veynar

(\*\*) Term: **14 Years**

(74) *Attorney, Agent, or Firm*—Ladas and Parry

(21) Appl. No.: **29/114,631**

(57) **CLAIM**

(22) Filed: **Nov. 29, 1999**

The ornamental design for a covered electric pizza pan, as shown.

(30) **Foreign Application Priority Data**

**DESCRIPTION**

May 28, 1999 (KR) ..... 99-11667

FIG. 1 is a front/top/right-side perspective view of a covered electric pizza pan showing my new design; FIG. 2 is a front elevational view thereof; FIG. 3 is a rear elevational view thereof; FIG. 4 is a left elevational view thereof; FIG. 5 is a right elevational view thereof; FIG. 6 is a top plan view thereof; and, FIG. 7 is a bottom plan view thereof.

(51) **LOC (7) Cl.** ..... **07-02**

(52) **U.S. Cl.** ..... **D7/354; D7/362**

(58) **Field of Search** ..... D7/323, 337, 354-362;  
99/324, 325, 339, 341; 220/573.1, 912

(56) **References Cited**

**U.S. PATENT DOCUMENTS**

D. 358,737 \* 5/1995 Mendelson et al. .... D7/362

**1 Claim, 5 Drawing Sheets**

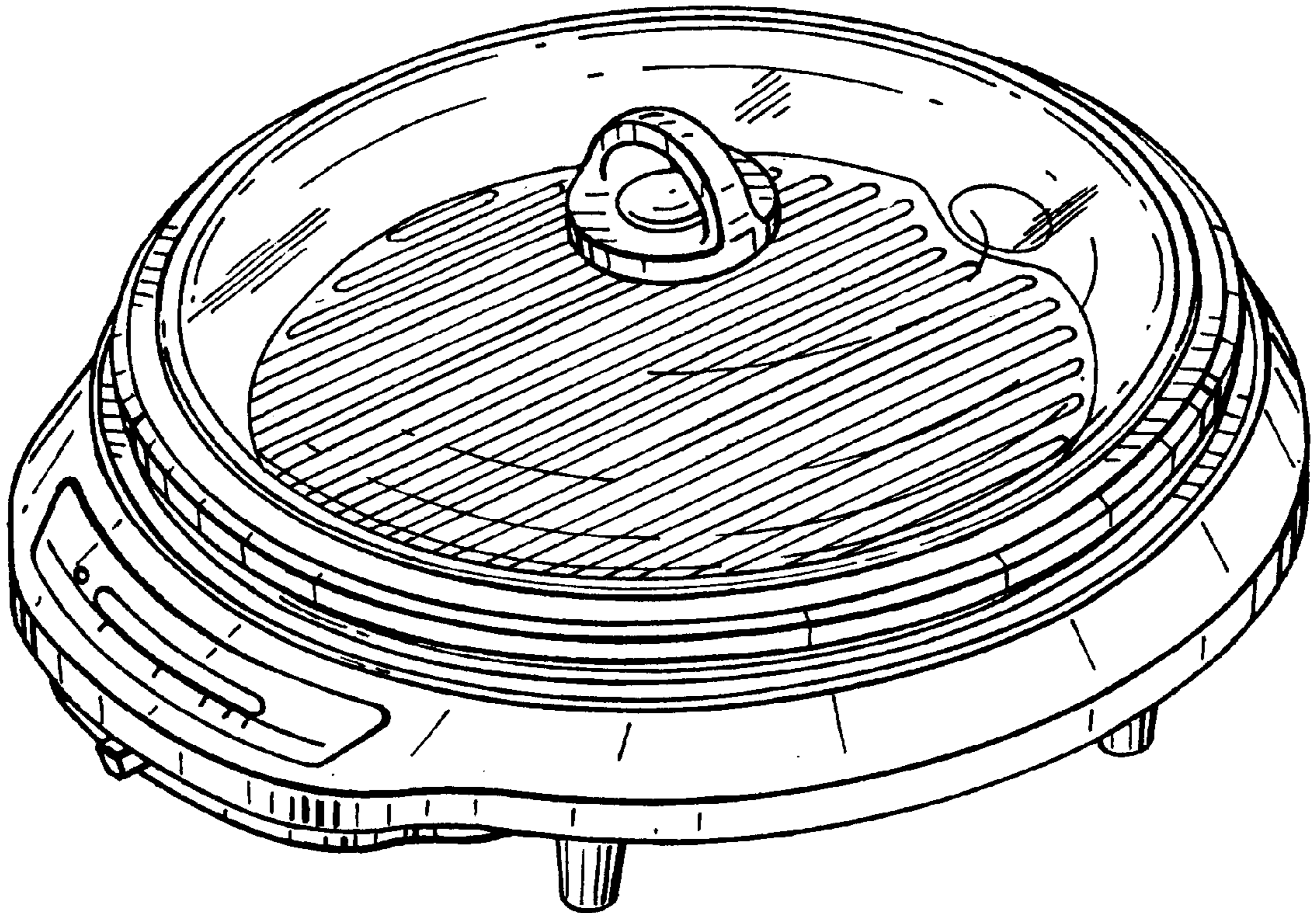


FIG. 1

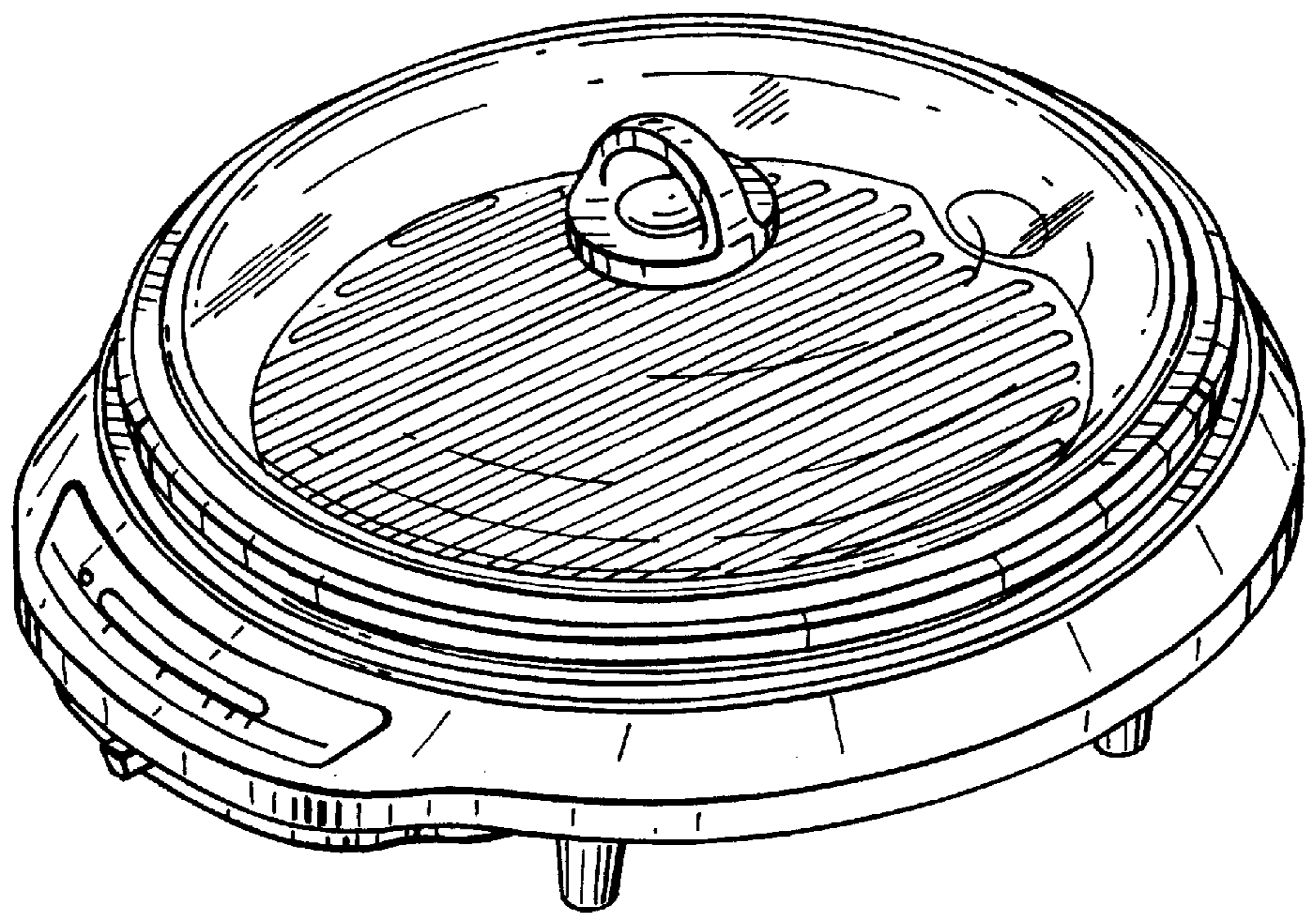


FIG. 2

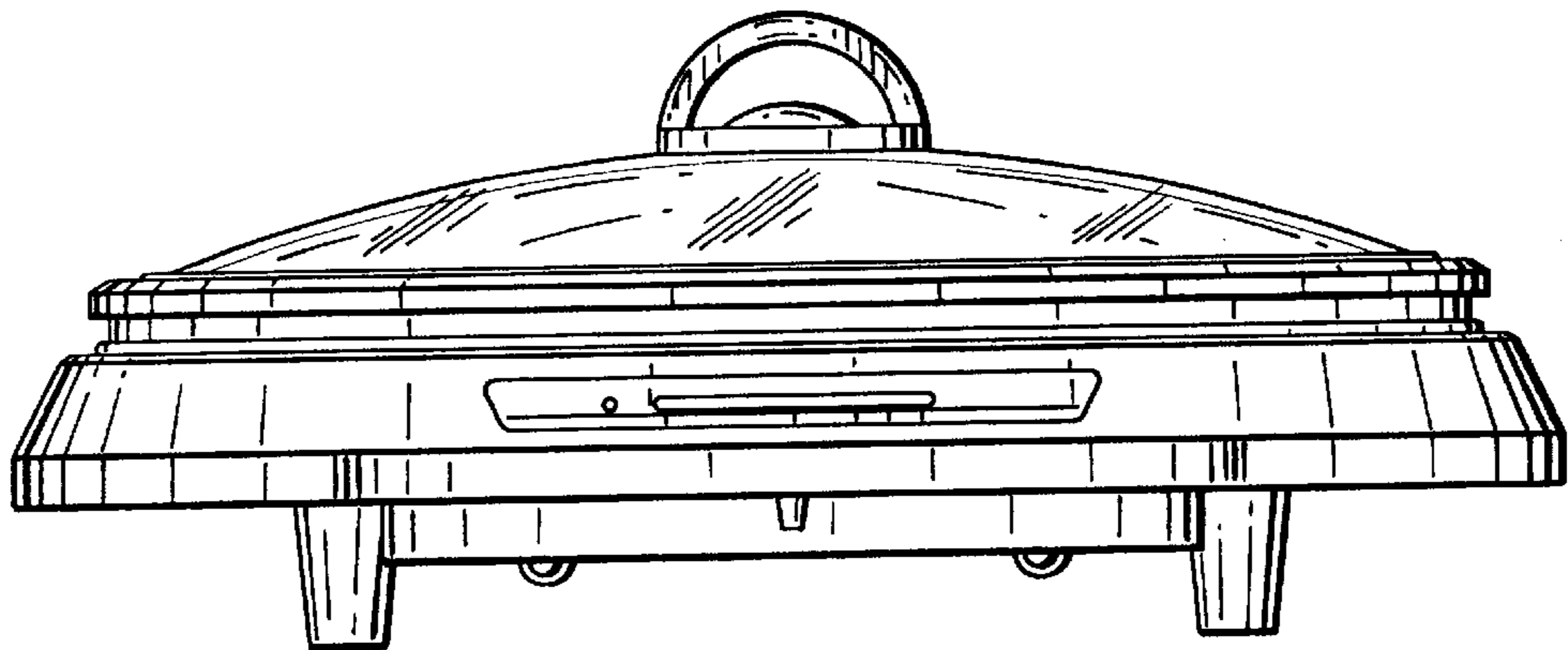


FIG. 3

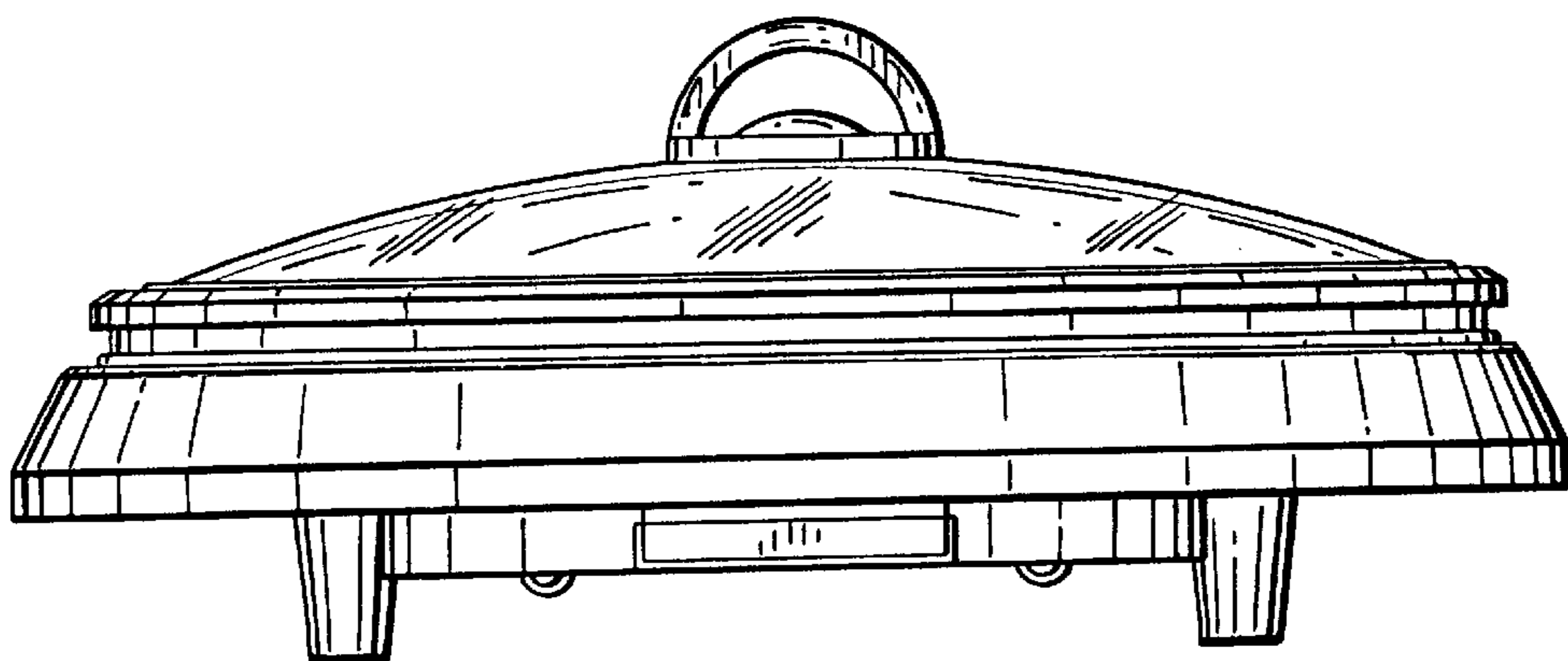


FIG. 4

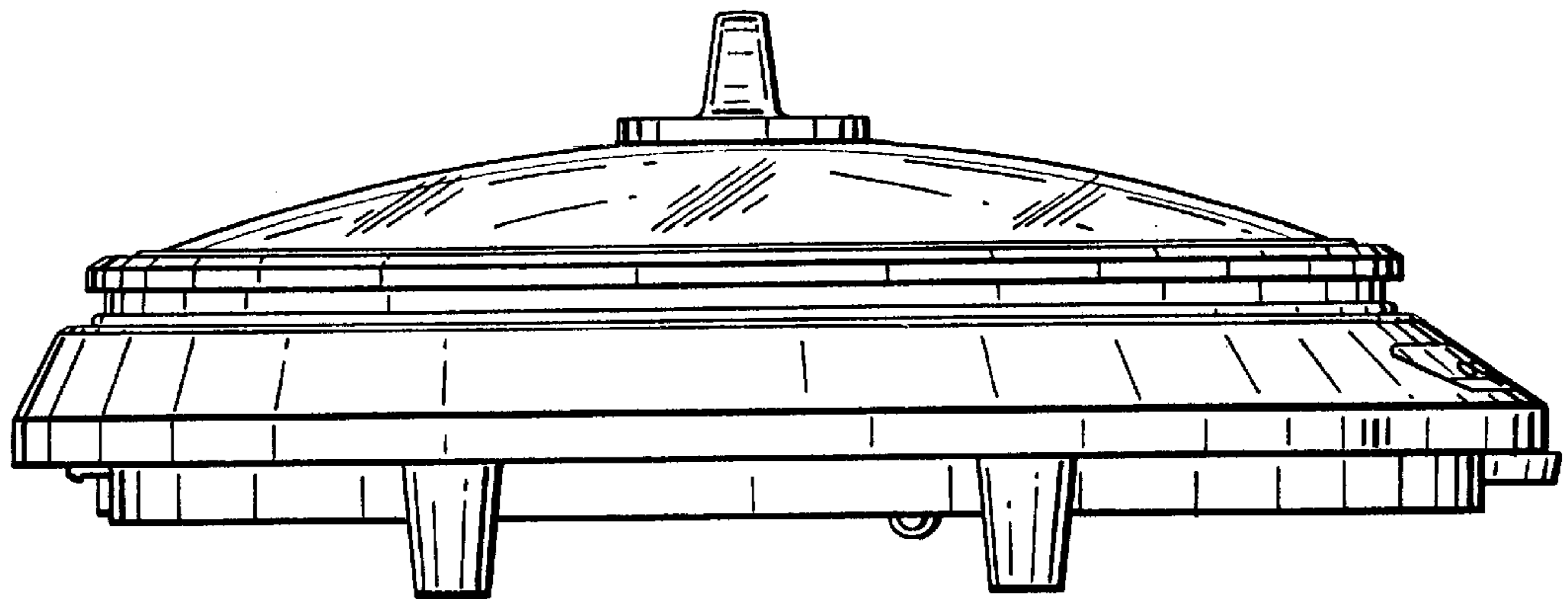


FIG. 5

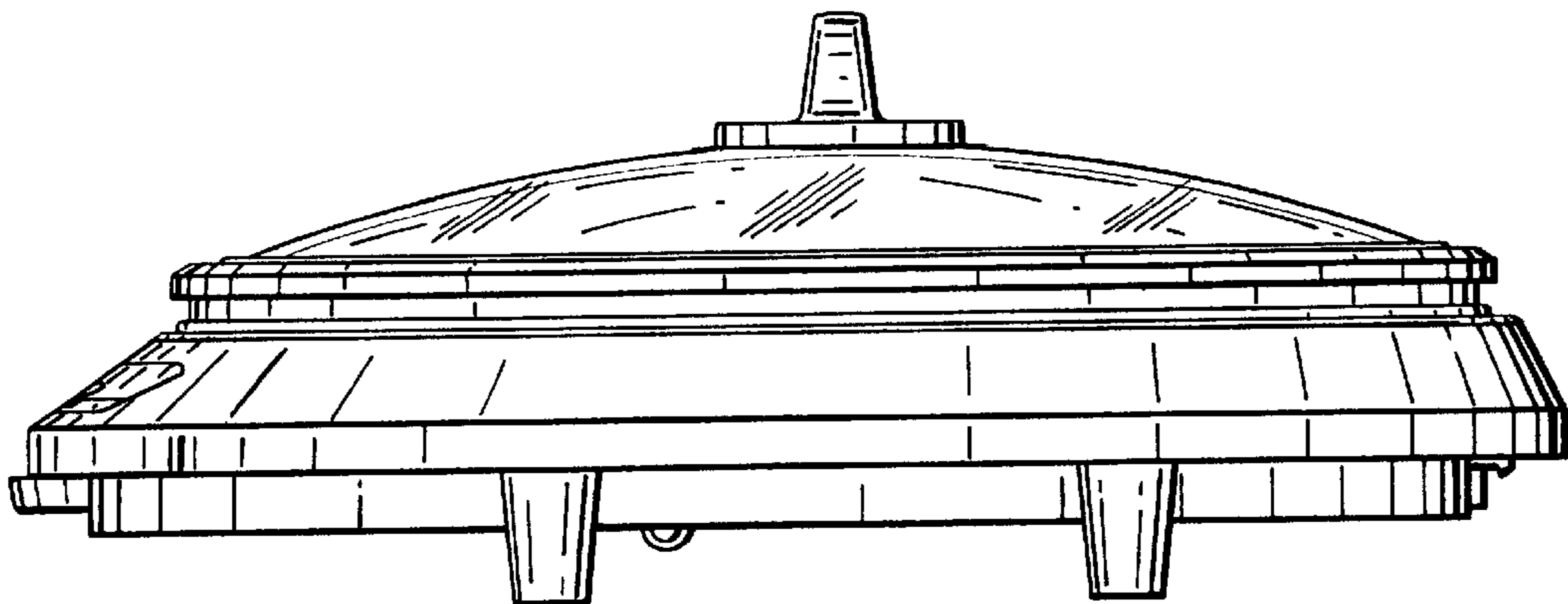


FIG. 6

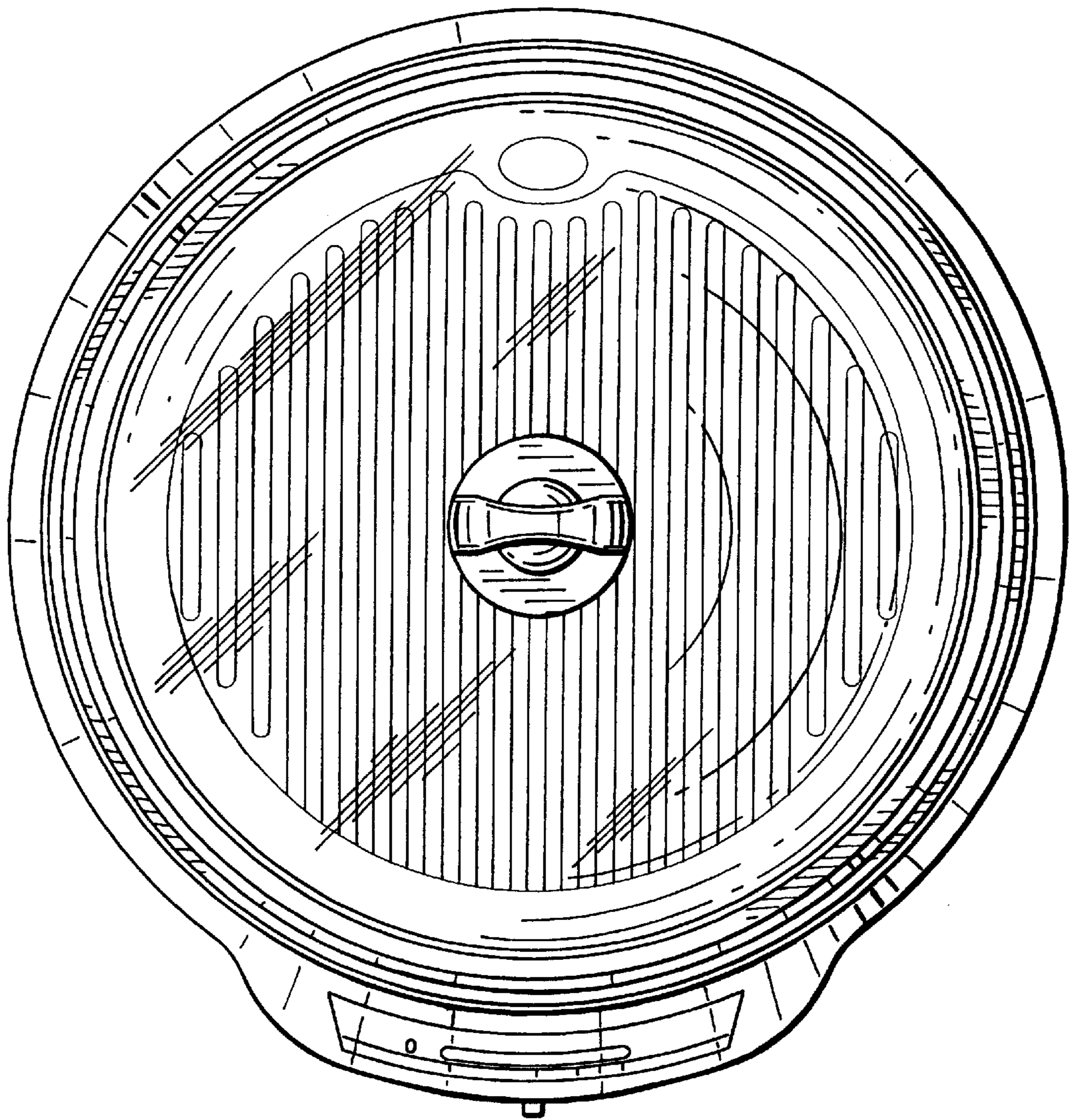


FIG. 7

