



US00D435753S

(12) **United States Design Patent**
Pai

(10) **Patent No.:** **US D435,753 S**

(45) **Date of Patent:** **** Jan. 2, 2001**

(54) **BARBECUE GRILL**

(76) Inventor: **Lucas Pai**, No. 124, Ying-Hua Rd.,
Hsitun Dist., Taichung (TW)

(**) Term: **14 Years**

(21) Appl. No.: **29/121,433**

(22) Filed: **Apr. 6, 2000**

(51) **LOC (7) Cl.** **07-02**

(52) **U.S. Cl.** **D7/332**

(58) **Field of Search** D7/332-337, 402,
D7/403; 126/25 R, 25 A, 25 AA, 25 B,
29-30, 9 R, 9 B, 39 R, 41 R, 26, 40, 50;
99/419, 421 R, 421 HV

(56) **References Cited**

U.S. PATENT DOCUMENTS

- D. 224,063 * 6/1972 Wiggins D7/335
- D. 284,929 * 8/1986 Schlosser et al. D7/332
- D. 420,546 * 2/2000 Pai D7/332

- D. 427,840 * 7/2000 Pai D7/332
- 5,540,212 * 7/1996 Stroud 126/25 R

* cited by examiner

Primary Examiner—Ruth McInroy

(74) *Attorney, Agent, or Firm*—Thorp Reed & Armstrong,
LLP

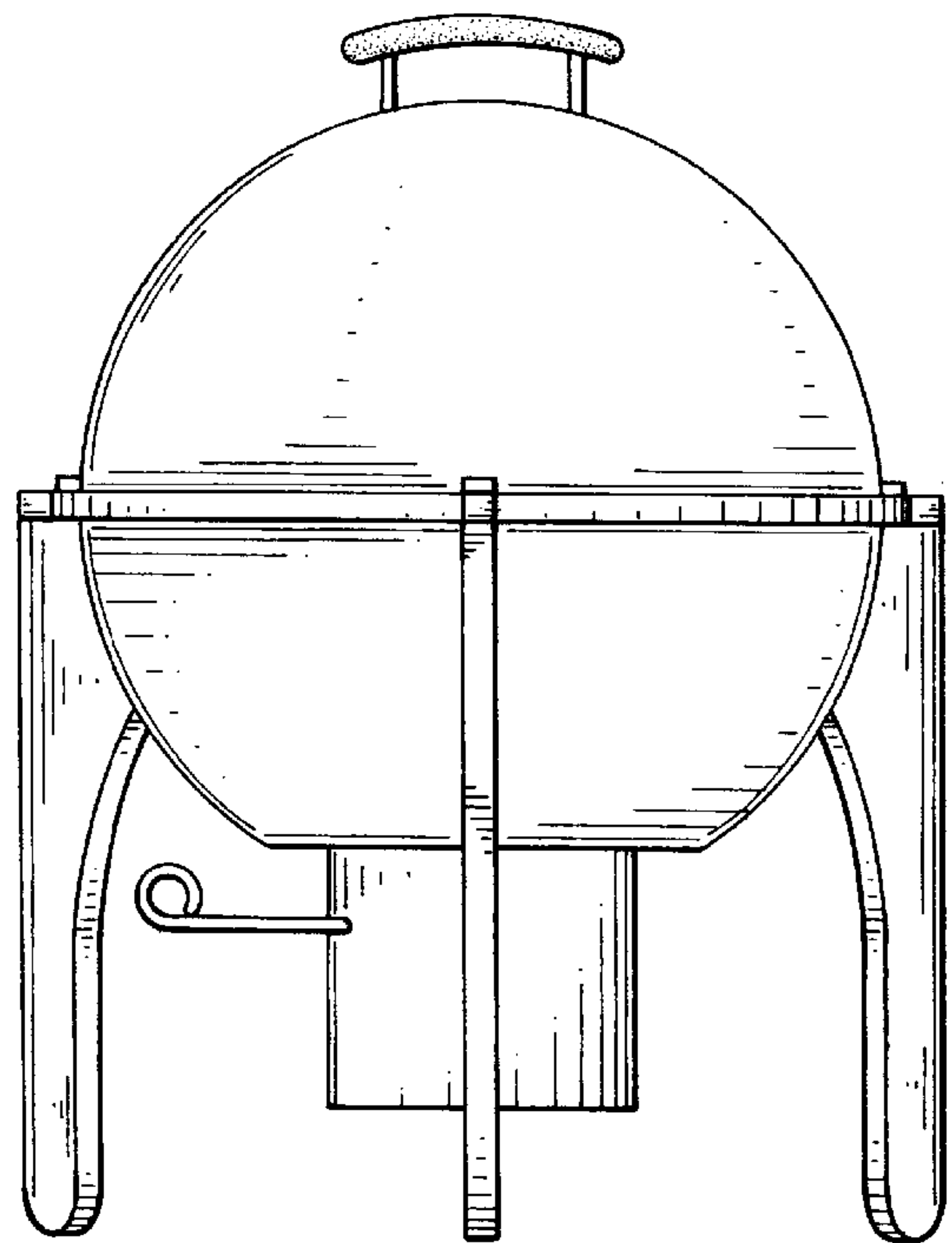
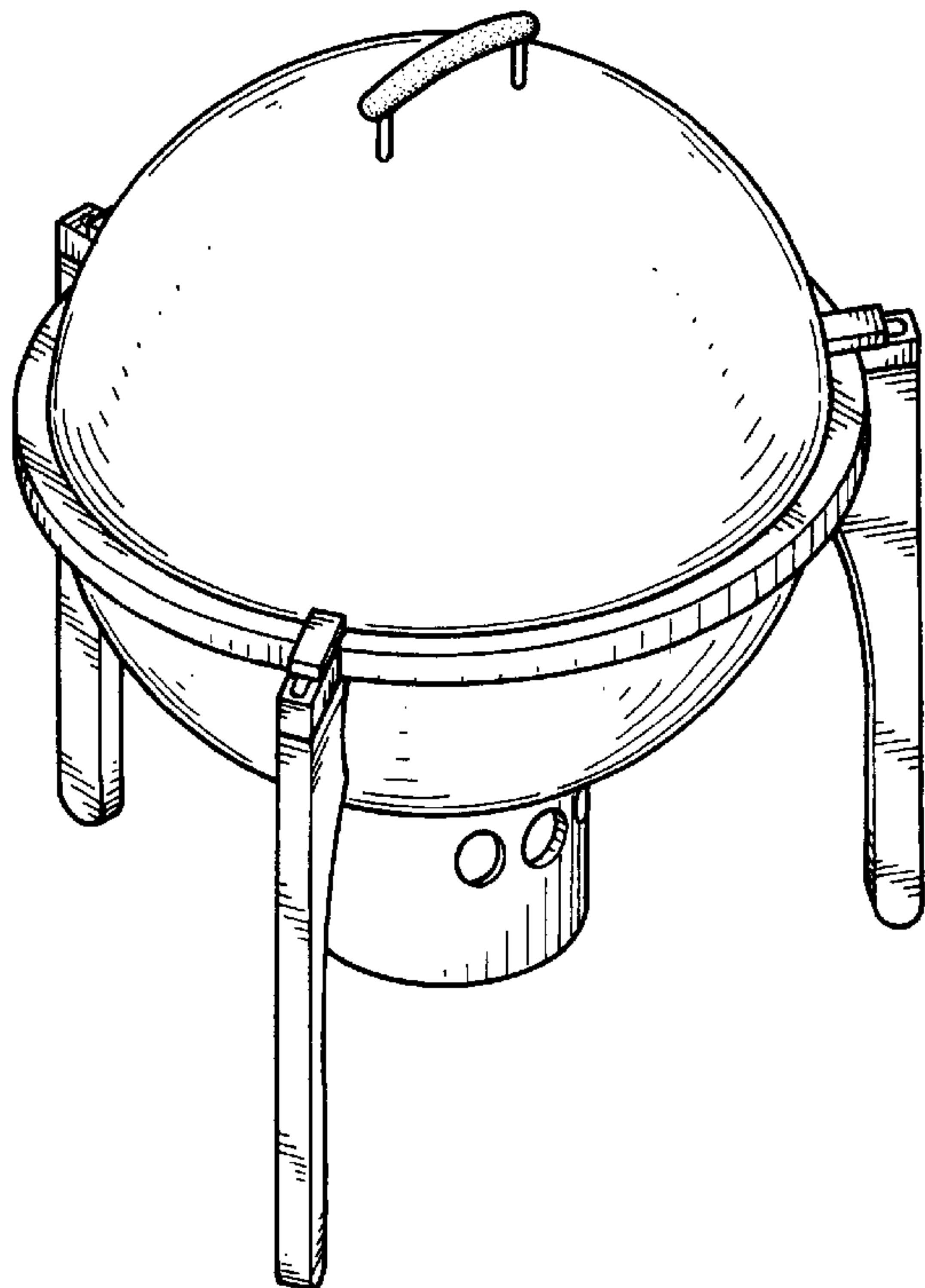
(57) **CLAIM**

The ornamental design for a barbecue grill, as shown.

DESCRIPTION

FIG. 1 is a front-left-top perspective view of a barbecue grill, showing my new design;
 FIG. 2 is a front elevational view thereof;
 FIG. 3 is a rear elevational view thereof;
 FIG. 4 is a left side elevational view thereof;
 FIG. 5 is a right side elevational view thereof;
 FIG. 6 is a top plan view thereof; and,
 FIG. 7 is a bottom plan view thereof.

1 Claim, 4 Drawing Sheets



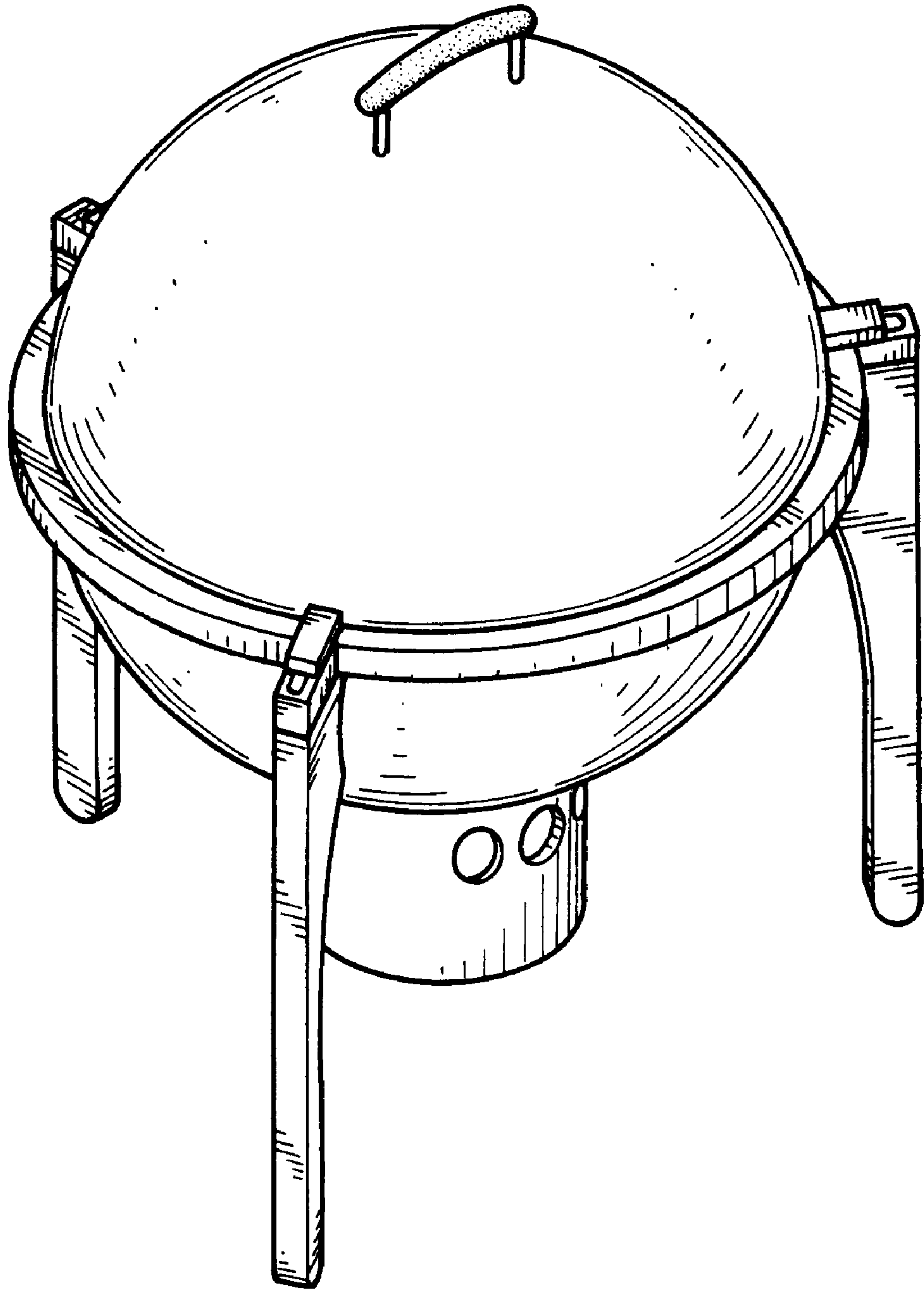


FIG. 1

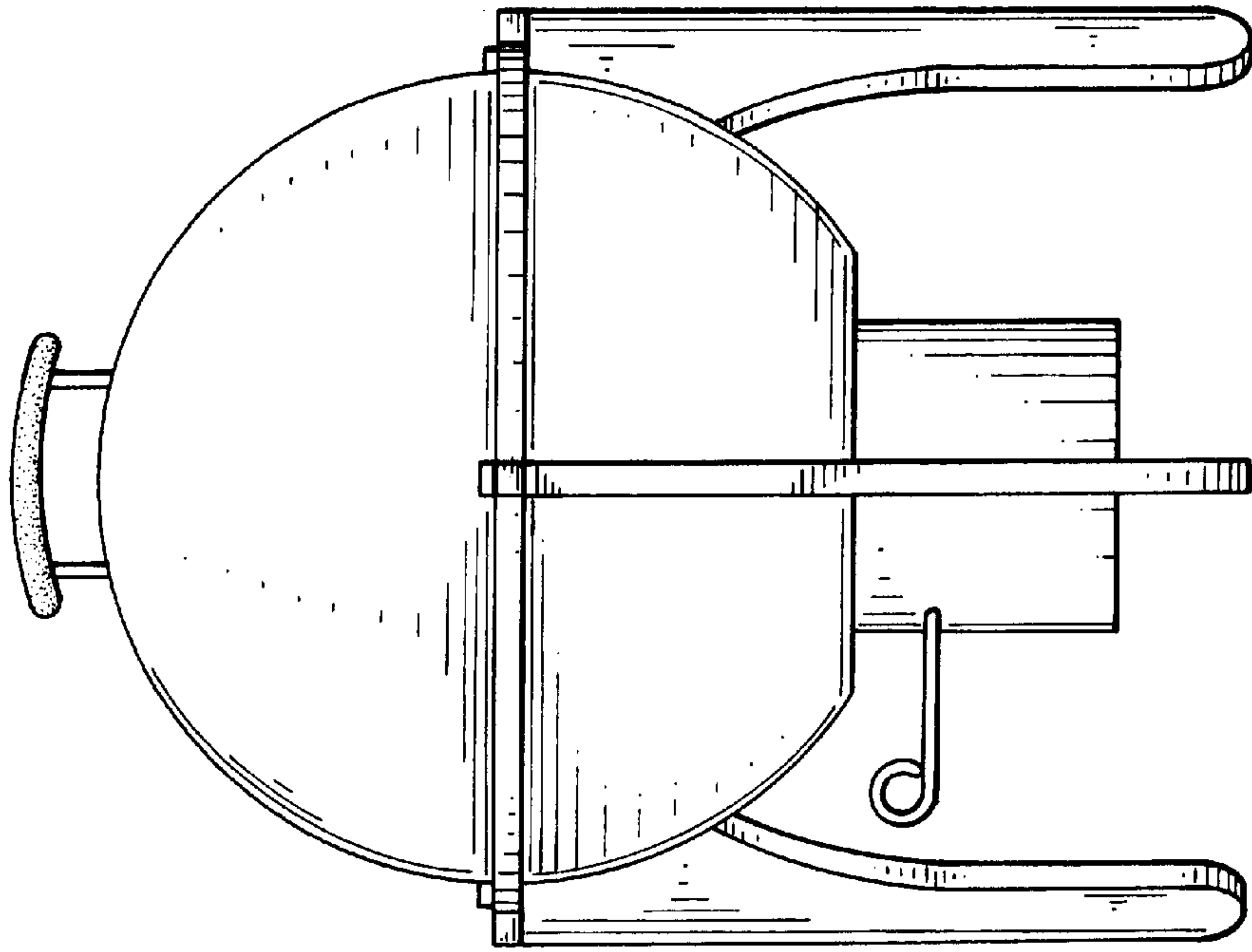


FIG. 3

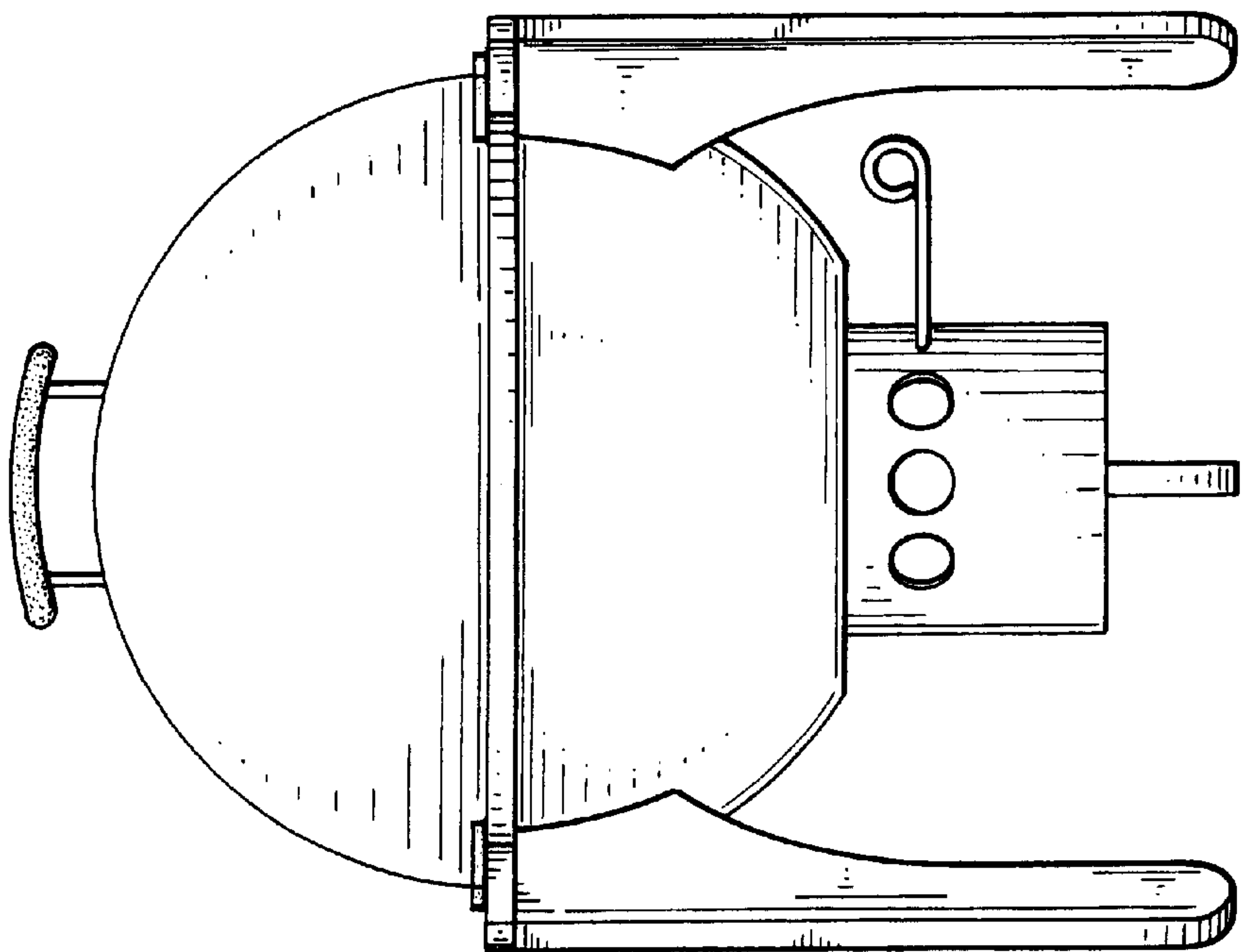


FIG. 2

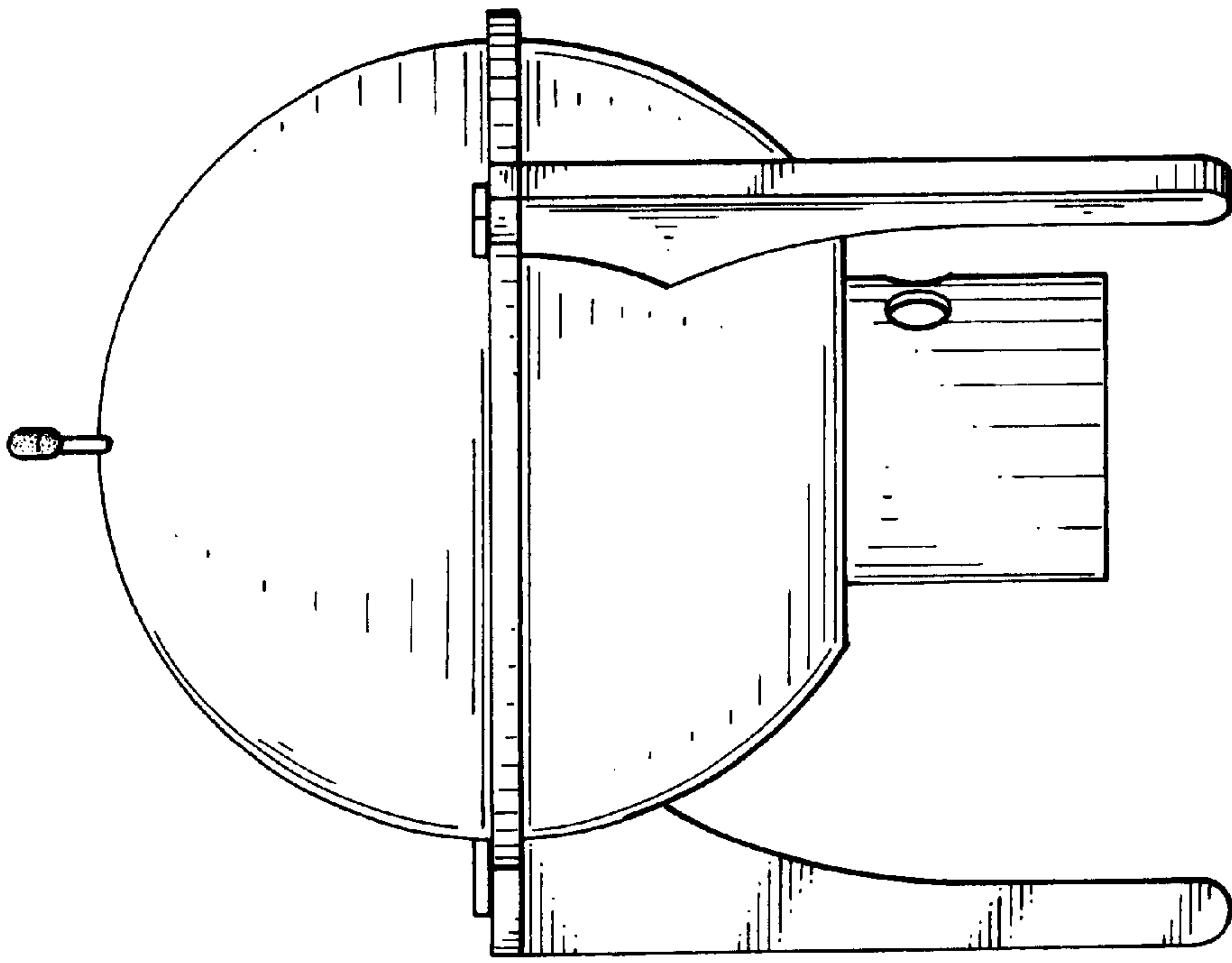


FIG. 4

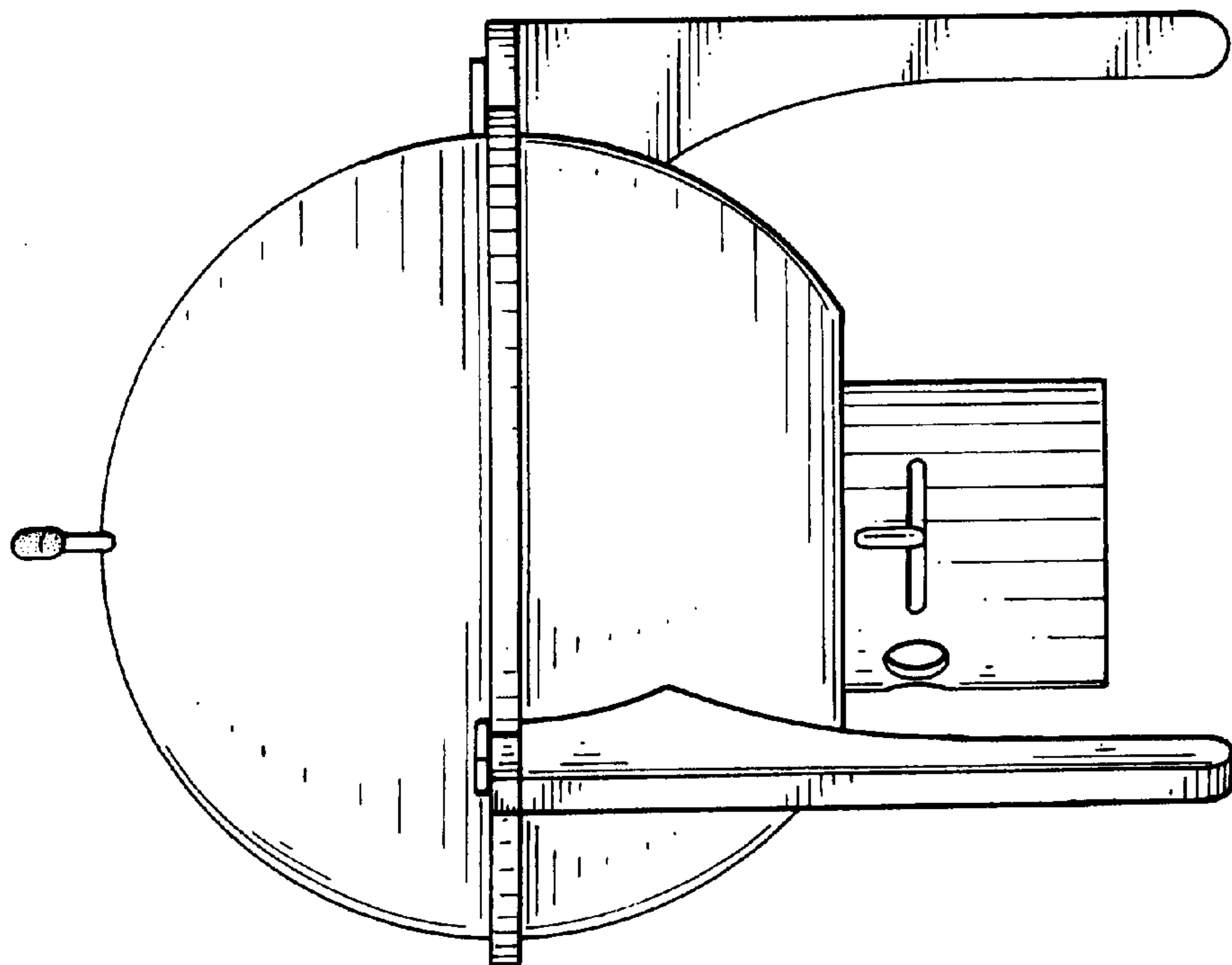


FIG. 5

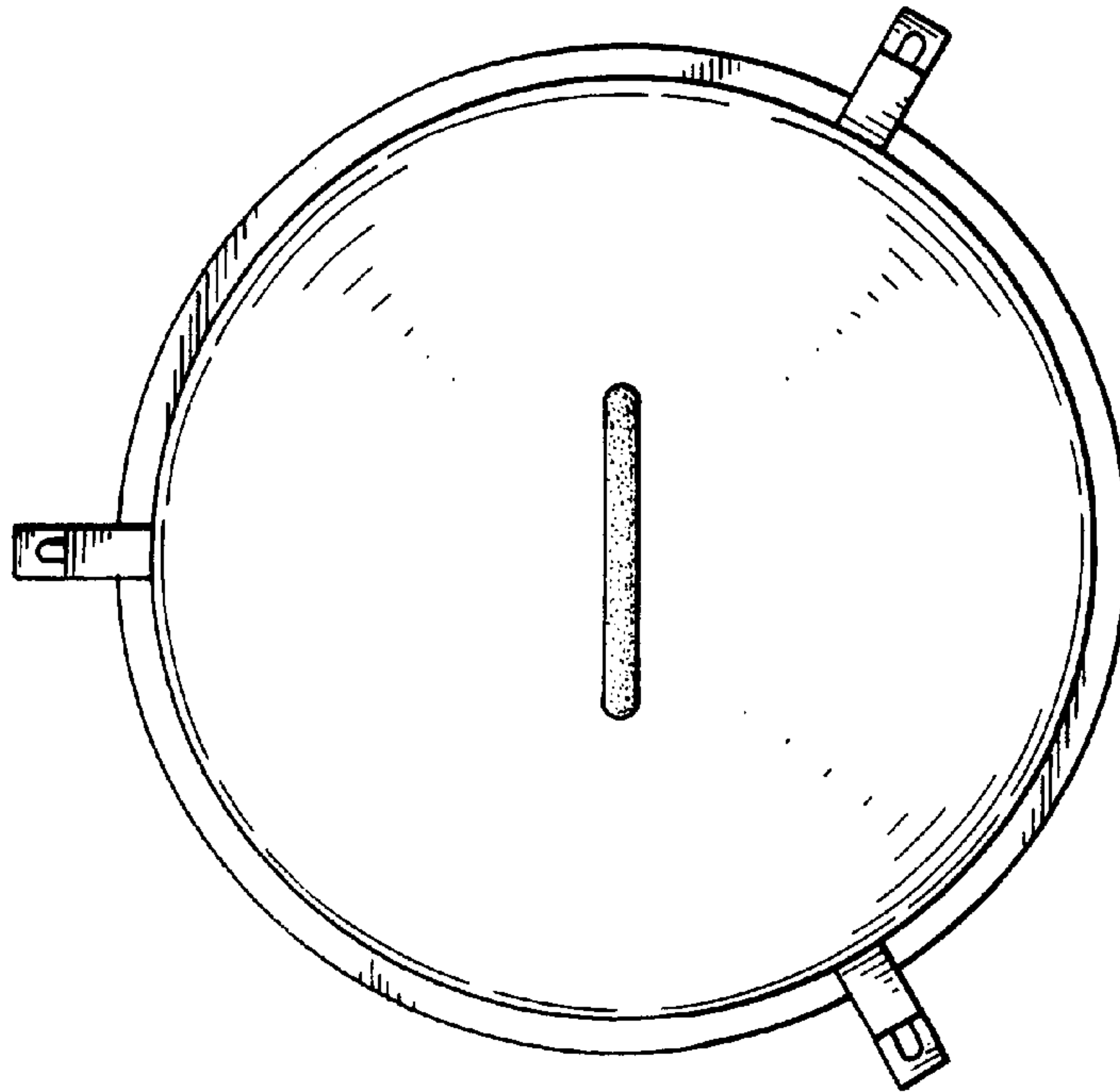


FIG. 6

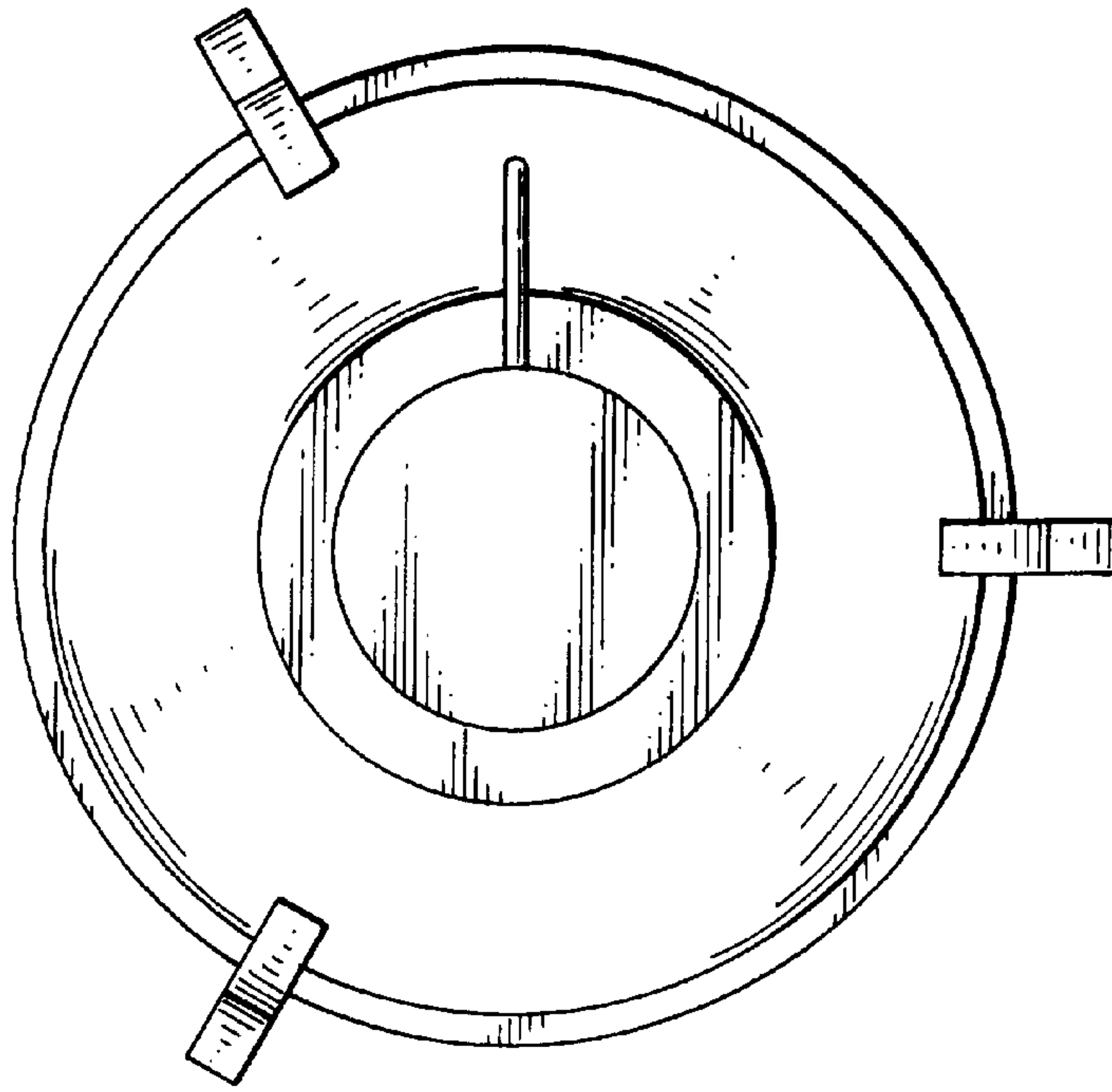


FIG. 7