



US00D435746S

(12) **United States Design Patent**
Diffrient

(10) **Patent No.:** **US D435,746 S**

(45) **Date of Patent:** **** Jan. 2, 2001**

(54) **CHAIR ARM**

(75) Inventor: **Niels Diffrient**, Ridgefield, CT (US)

(73) Assignee: **SoftView Computer Products Corp.**,
New York, NY (US)

(**) Term: **14 Years**

(21) Appl. No.: **29/103,157**

(22) Filed: **Apr. 9, 1999**

(51) **LOC (7) Cl.** **06-06**

(52) **U.S. Cl.** **D6/501; D6/366**

(58) **Field of Search** D6/334, 335, 364,
D6/365, 366, 367, 379, 500, 501, 502;
297/411.2, 411.28, 411.4, 411.41

(56) **References Cited**

U.S. PATENT DOCUMENTS

D. 368,380	*	4/1996	Olson et al.	D6/366
D. 379,567	*	6/1997	Grivet	D6/500
D. 407,576	*	4/1999	Ritch et al.	D6/500
D. 411,928	*	7/1999	Ritch et al.	D6/500
D. 413,027	*	8/1999	Breen	D6/366

* cited by examiner

Primary Examiner—Gary D. Watson

(74) *Attorney, Agent, or Firm*—Coudert Brothers

(57) **CLAIM**

The ornamental design for a chair arm, as shown and described.

DESCRIPTION

FIG. 1 is a side elevational view of a chair arm showing my new design, the opposite side being a mirror image thereof; FIG. 2 is a three quarter side elevational view of a chair arm showing my new design, the opposite side being a mirror image thereof;

FIG. 3 is a three quarter front elevational view of a chair arm showing my new design, the opposite side being a mirror image thereof;

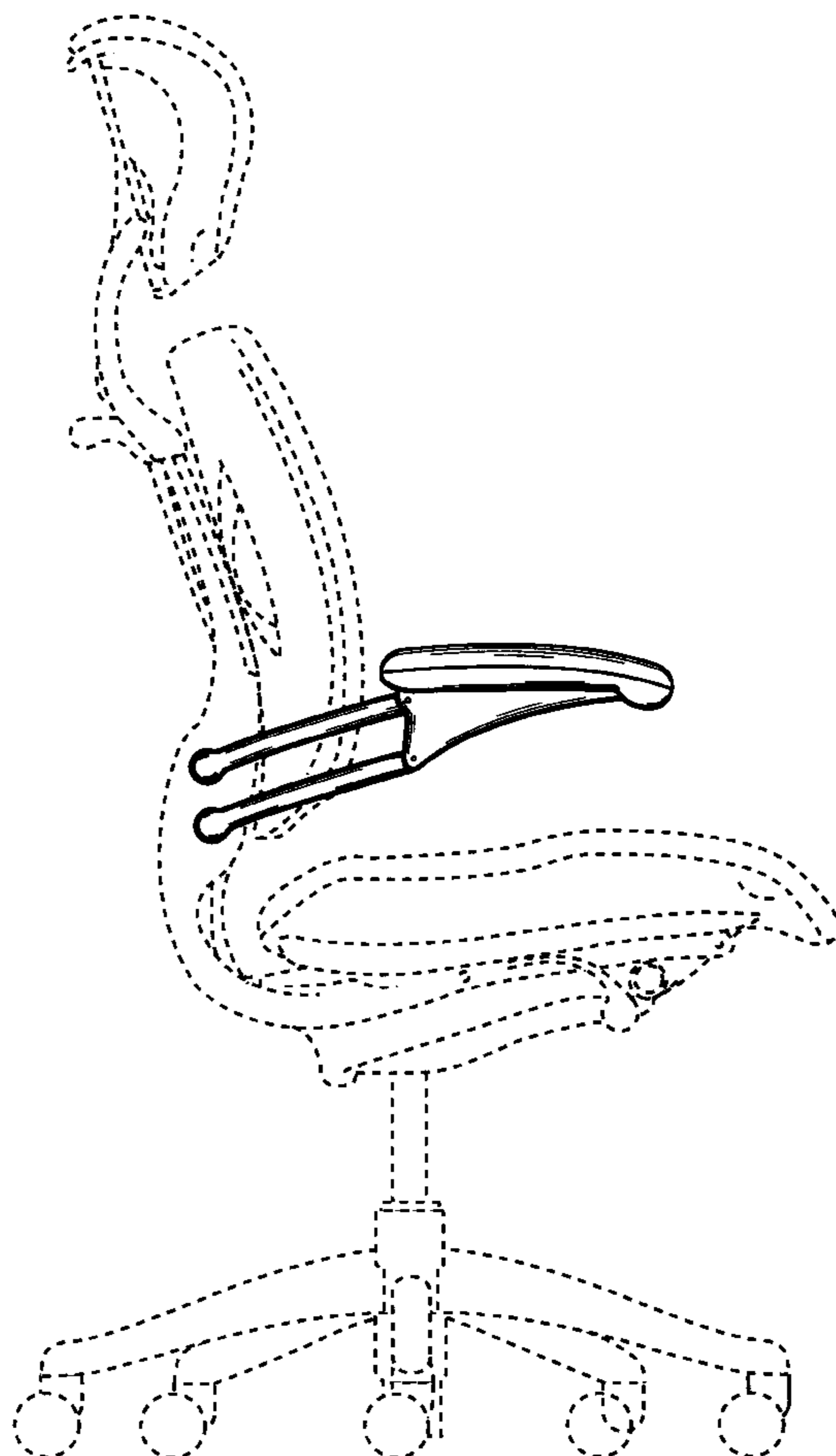
FIG. 4 is top view of a chair arm showing my new design; FIG. 5 is a bottom view;

FIG. 6 is a front elevational view of a chair arm showing my new design; and,

FIG. 7 is a rear elevational view of a chair arm showing my new design.

The broken line showing of a chair is for illustrative purposes only and forms no part of the claimed design.

1 Claim, 7 Drawing Sheets



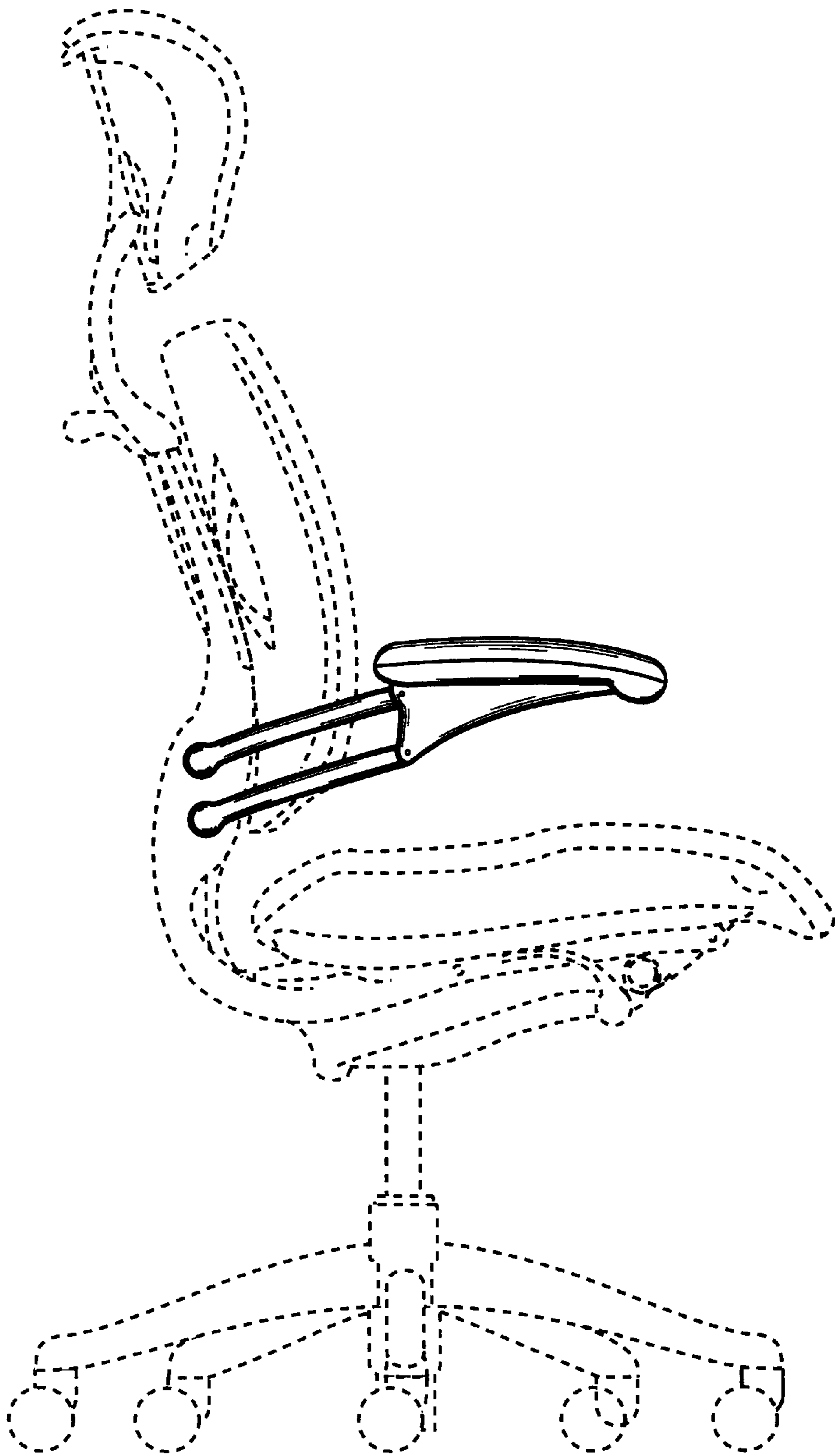


FIG. 1

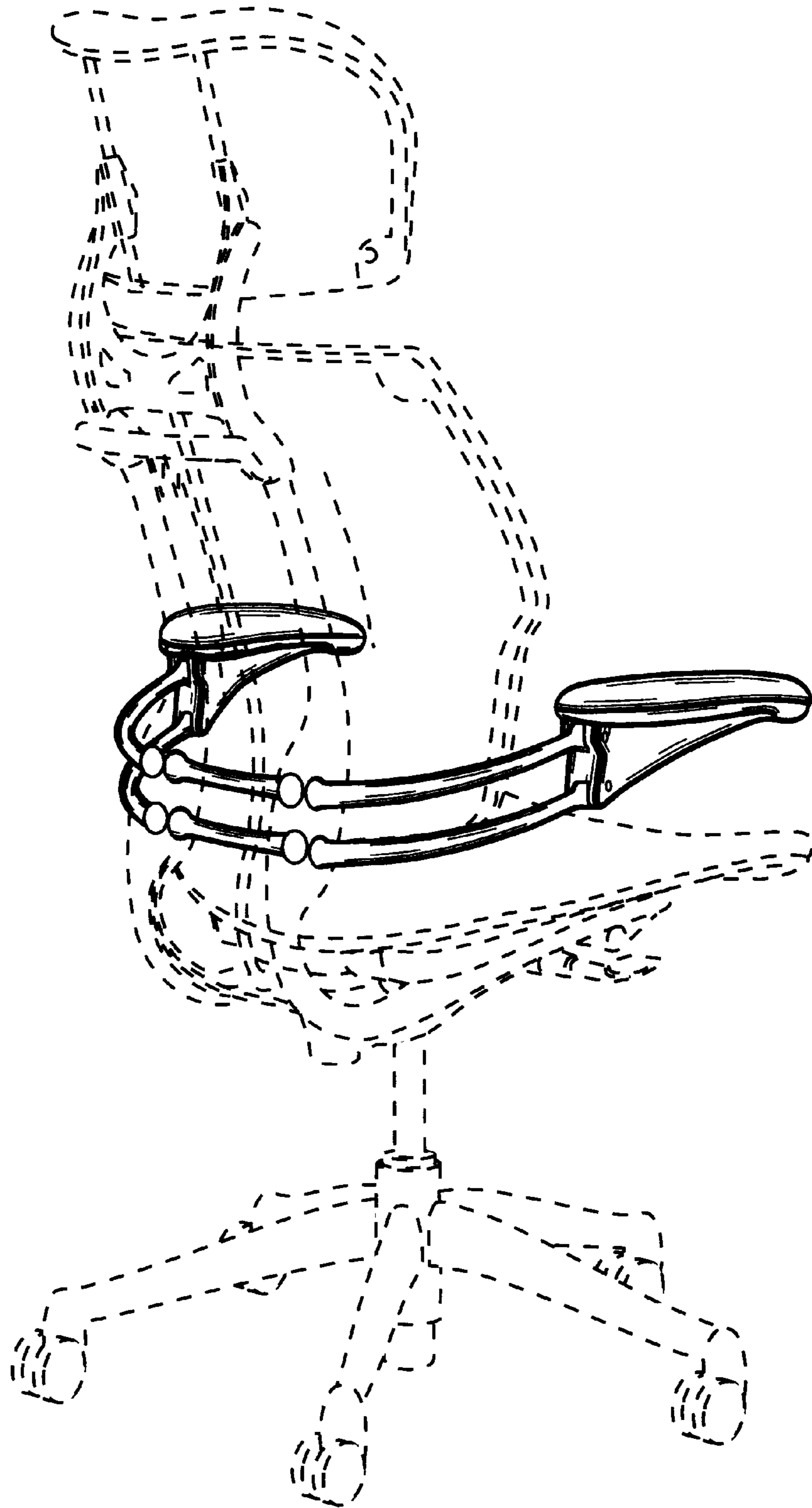


FIG. 2

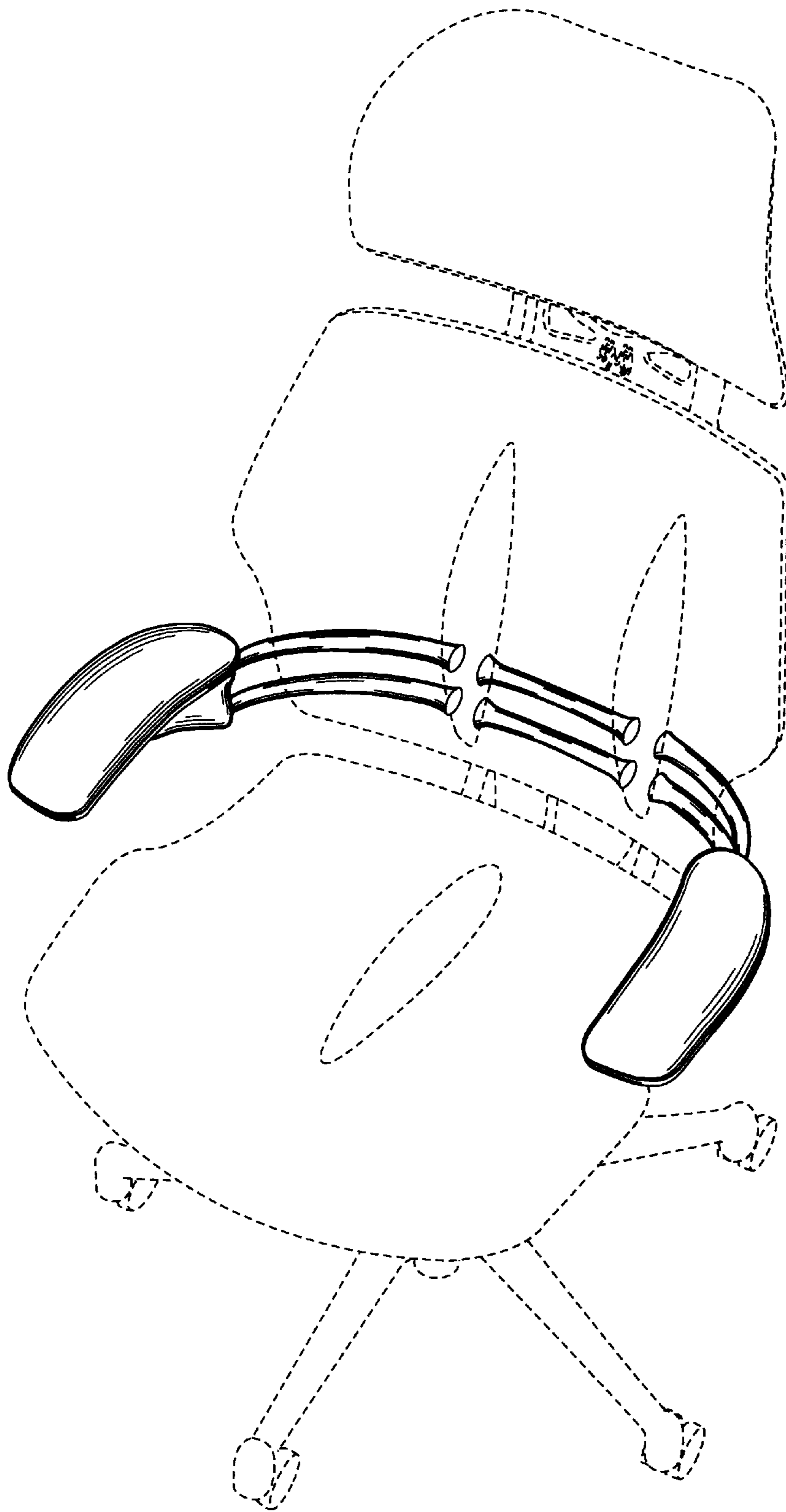


FIG. 3

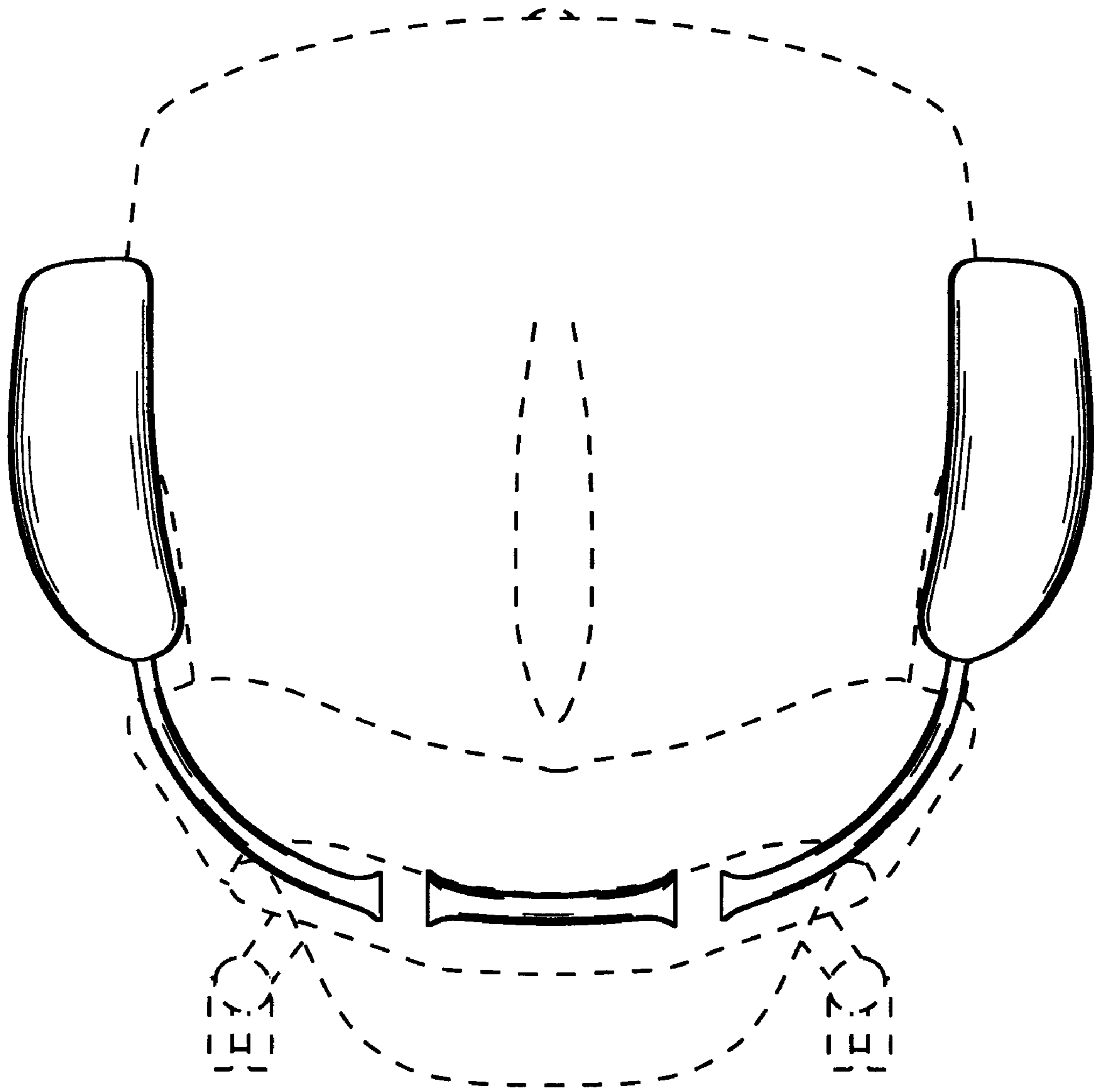


FIG. 4

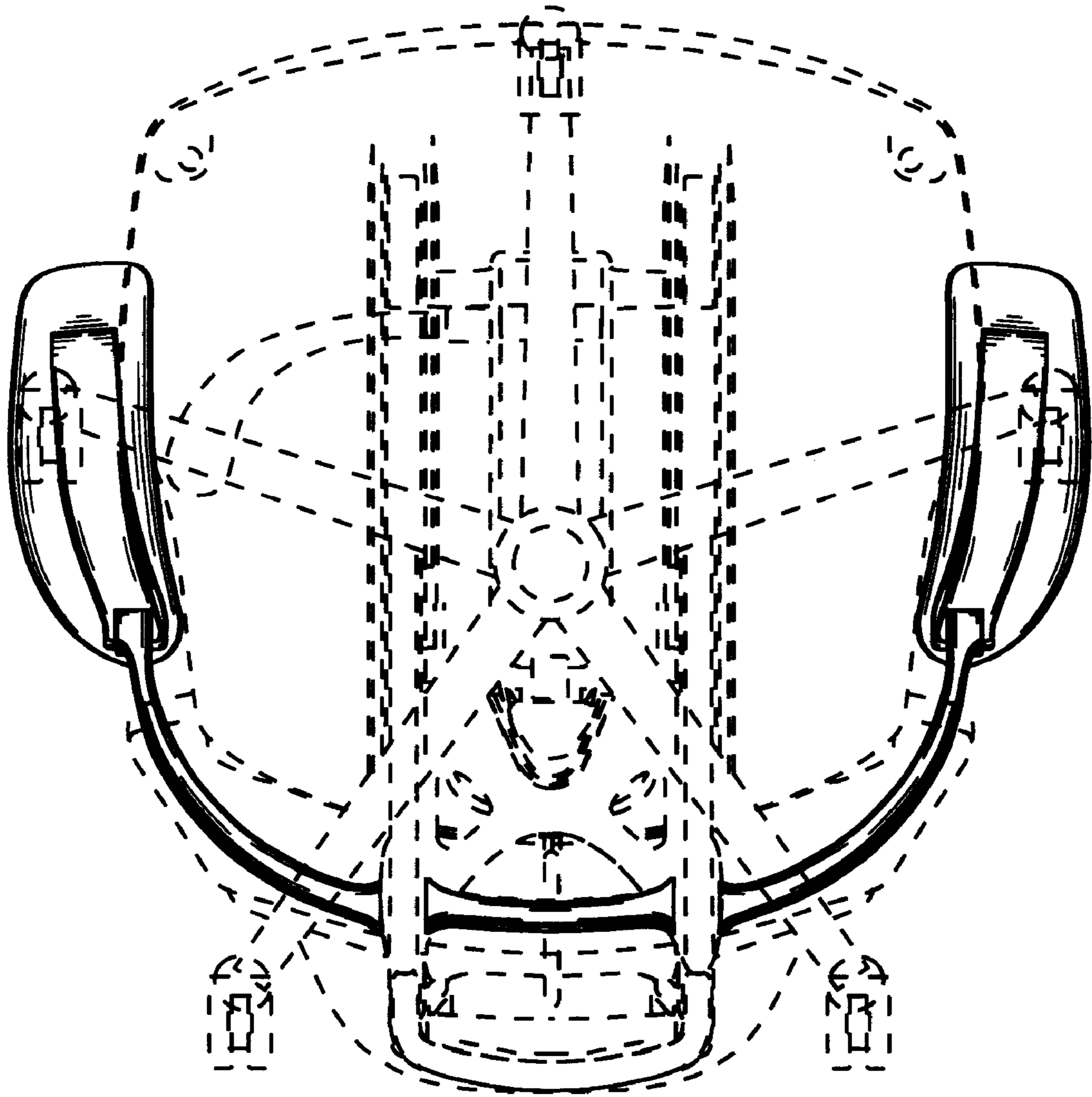


FIG. 5

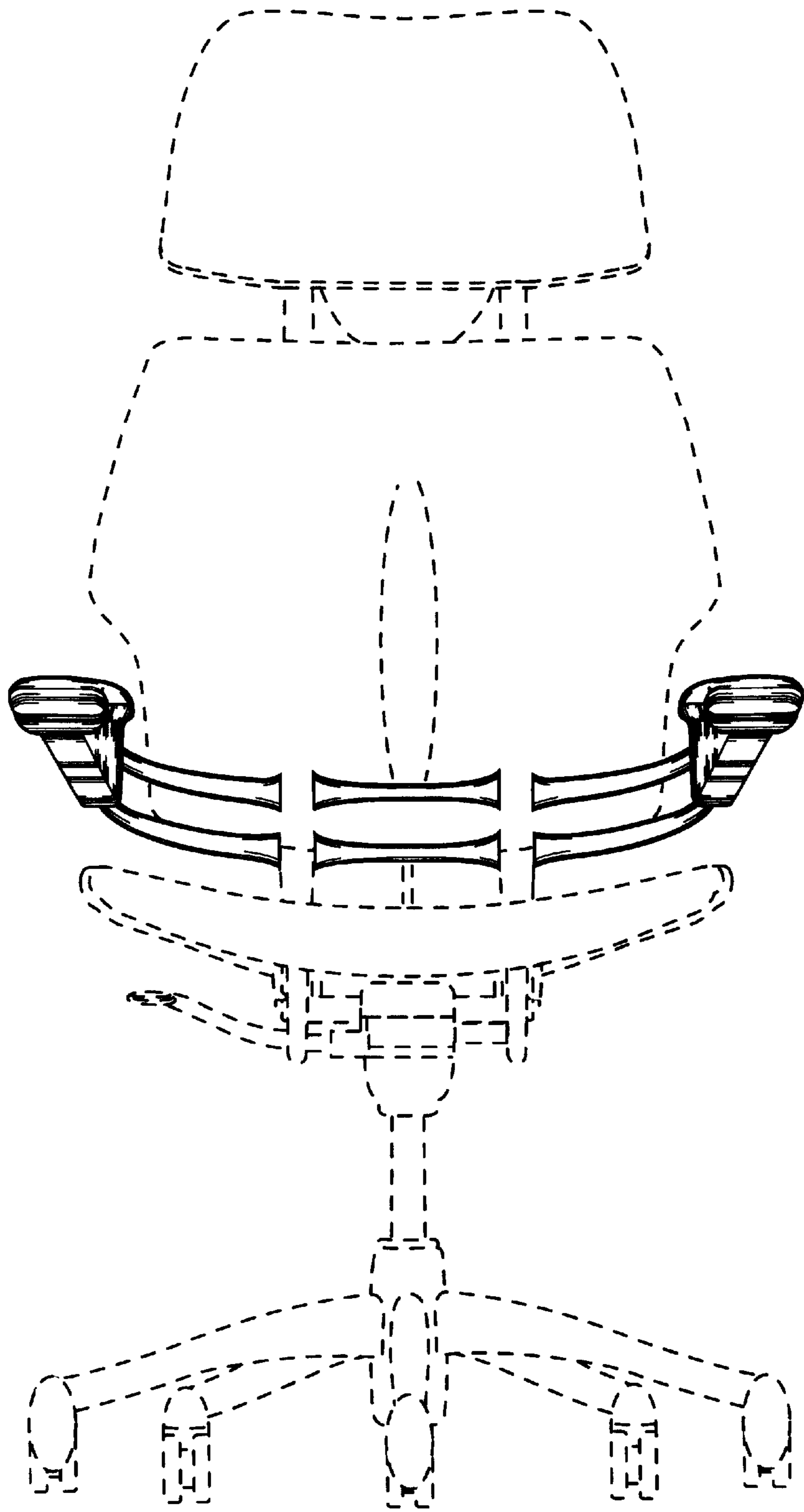


FIG. 6

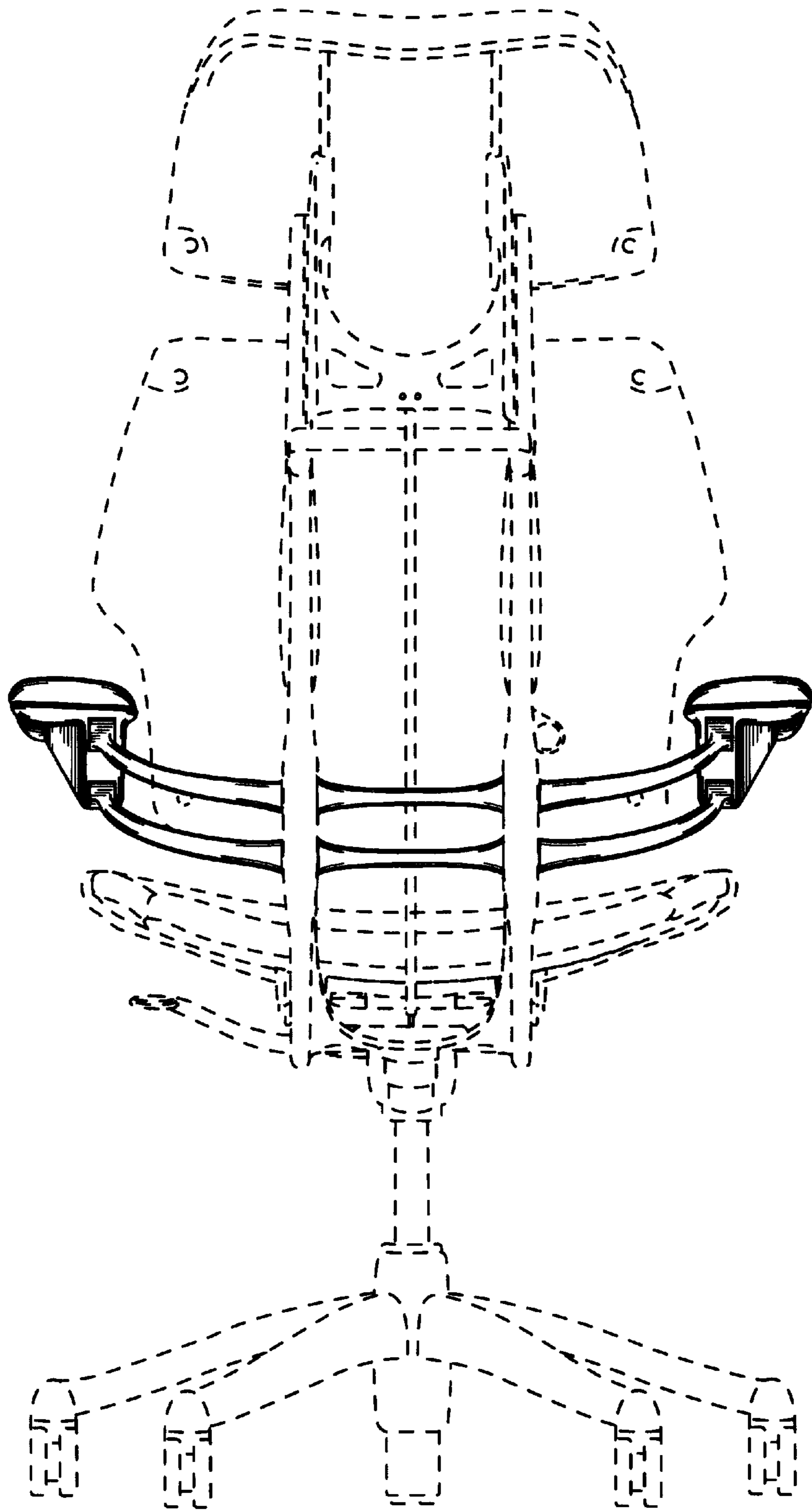


FIG. 7