



US00D435744S

(12) **United States Design Patent**  
**Ross**

(10) **Patent No.:** **US D435,744 S**

(45) **Date of Patent:** **\*\* Jan. 2, 2001**

(54) **OVAL TABLE**

(75) Inventor: **Allan G. Ross**, Masury, OH (US)

(73) Assignee: **Alco Industries, Inc.**, Valley Forge, PA (US)

(\*\*) Term: **14 Years**

(21) Appl. No.: **29/117,037**

(22) Filed: **Jan. 14, 2000**

(51) **LOC (7) Cl.** ..... **06-03**

(52) **U.S. Cl.** ..... **D6/480**

(58) **Field of Search** ..... D6/480-489, 495,  
D6/511; 108/153.1, 155, 156, 157.1, 161;  
298/188, 188.1

(56) **References Cited**

**U.S. PATENT DOCUMENTS**

- D. 282,514 \* 2/1986 Garcia et al. .... D6/480
- D. 284,919 \* 8/1986 Garcia et al. .... D6/488
- D. 304,135 \* 10/1989 Mergenov ..... D6/477

\* cited by examiner

*Primary Examiner*—Janice E. Seeger

(74) *Attorney, Agent, or Firm*—Webb Ziesenheim Logsdon Orkin & Hanson, P.C.

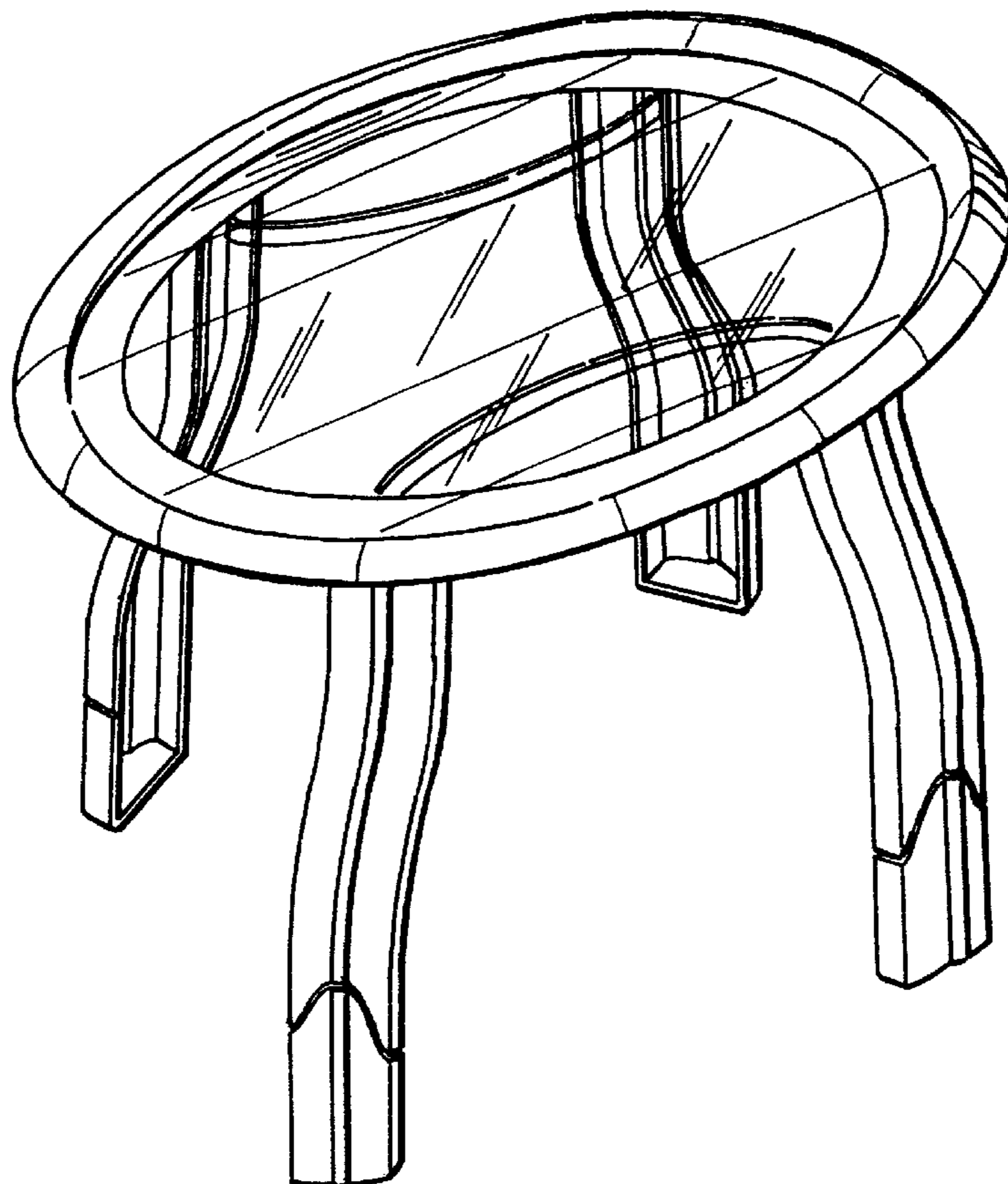
(57) **CLAIM**

The ornamental design for an oval table, as shown and described.

**DESCRIPTION**

FIG. 1 is a top perspective view of an oval table according to a first embodiment of my new table design;  
 FIG. 2 is a top plan view of the oval table shown in FIG. 1;  
 FIG. 3 is a bottom plan view of the oval table shown in FIG. 1;  
 FIG. 4 is a left side elevational view of the oval table shown in FIG. 1, the right side elevational view being a mirror image thereof;  
 FIG. 5 is a front elevational view of the oval table shown in FIG. 1, the rear elevational view being a mirror image thereof;  
 FIG. 6 is a top perspective view of an oval table according to a second embodiment of my design;  
 FIG. 7 is a top plan view of the oval table shown in FIG. 6;  
 FIG. 8 is a bottom plan view of the oval table shown in FIG. 6;  
 FIG. 9 is a left side elevational view of the oval table shown in FIG. 6, the right side elevational view being a mirror image thereof; and,  
 FIG. 10 is a front elevational view of the oval table shown in FIG. 6, the rear elevational view being a mirror image thereof.

**1 Claim, 6 Drawing Sheets**



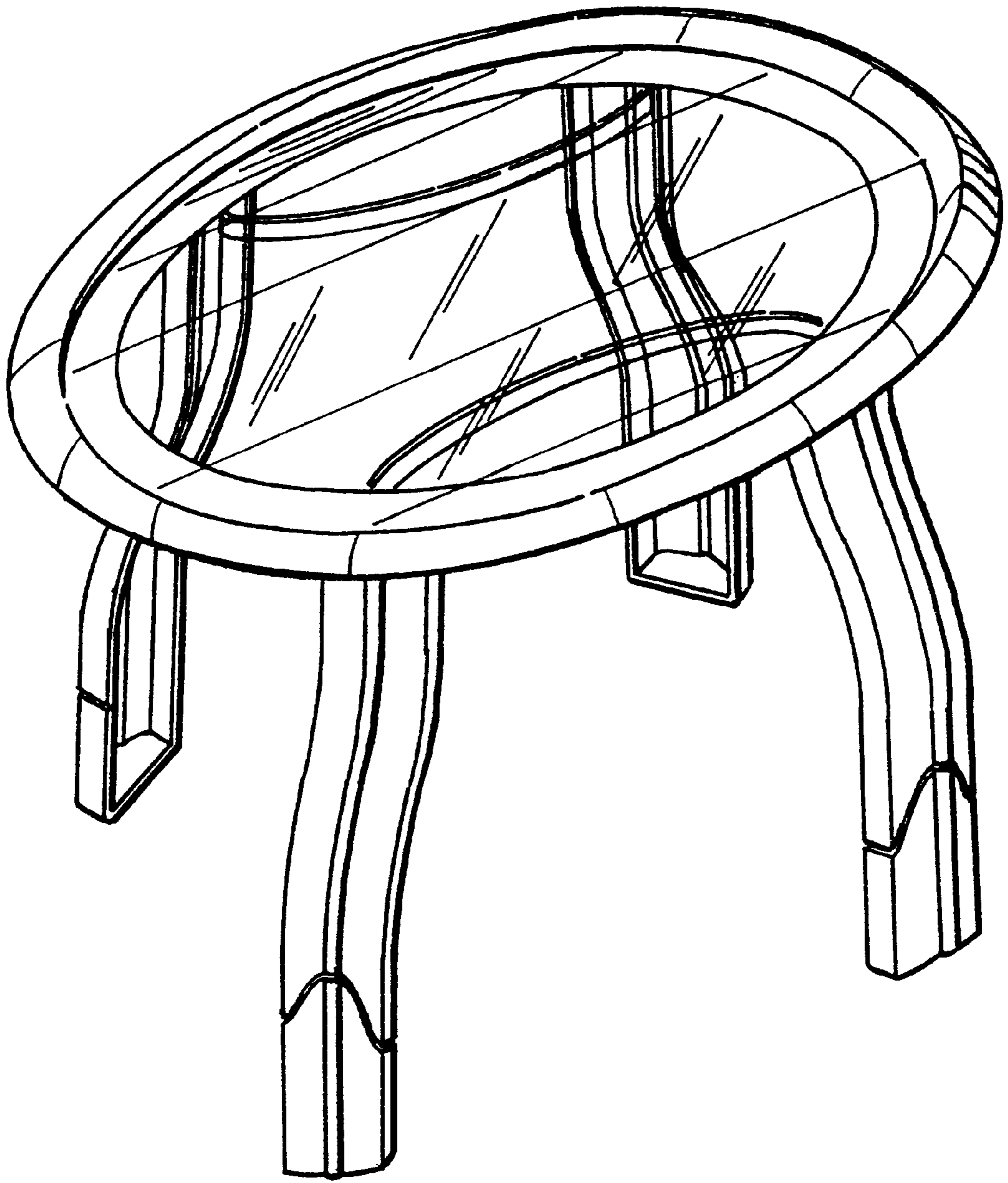


Fig. 1

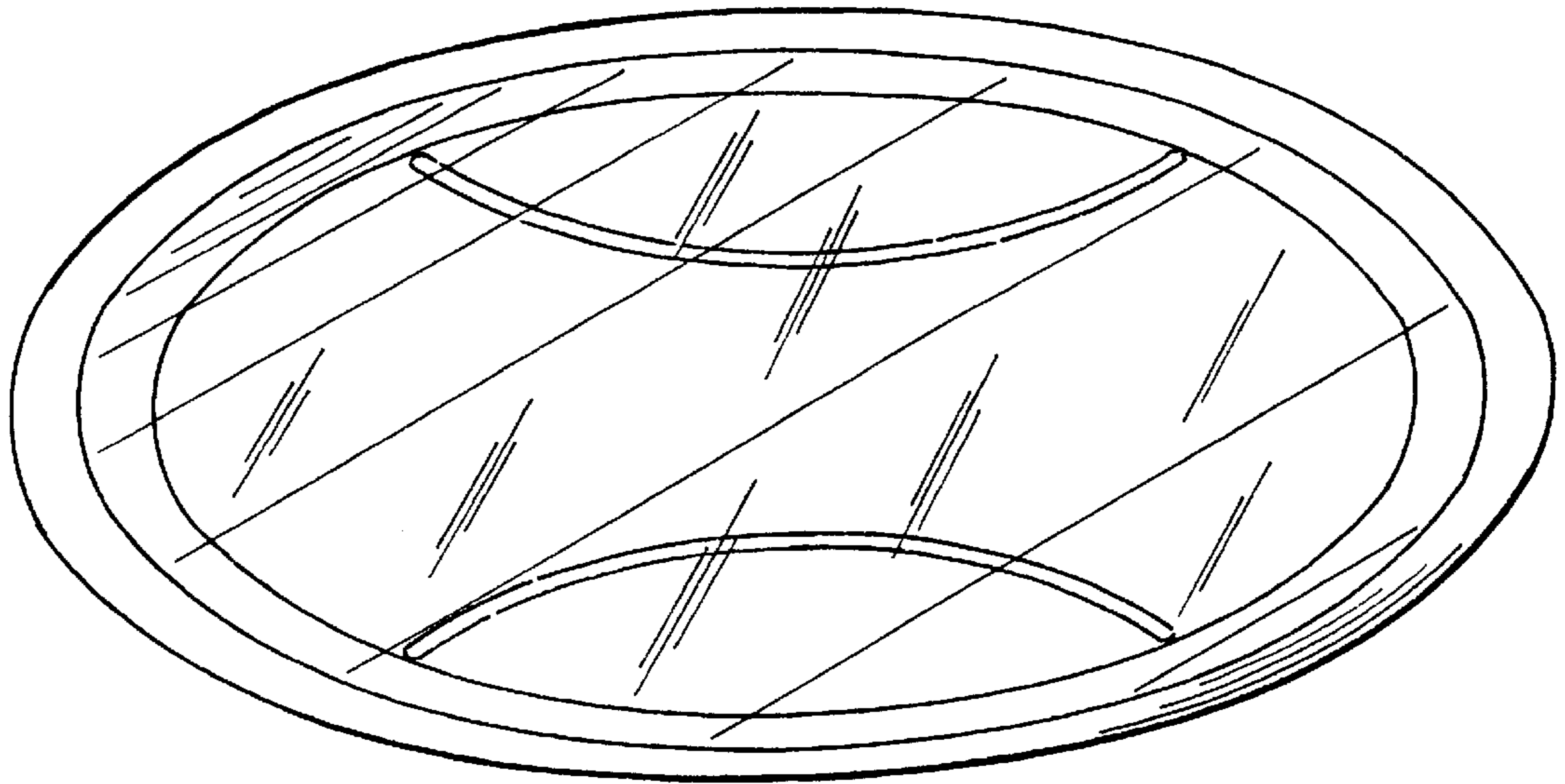


Fig. 2

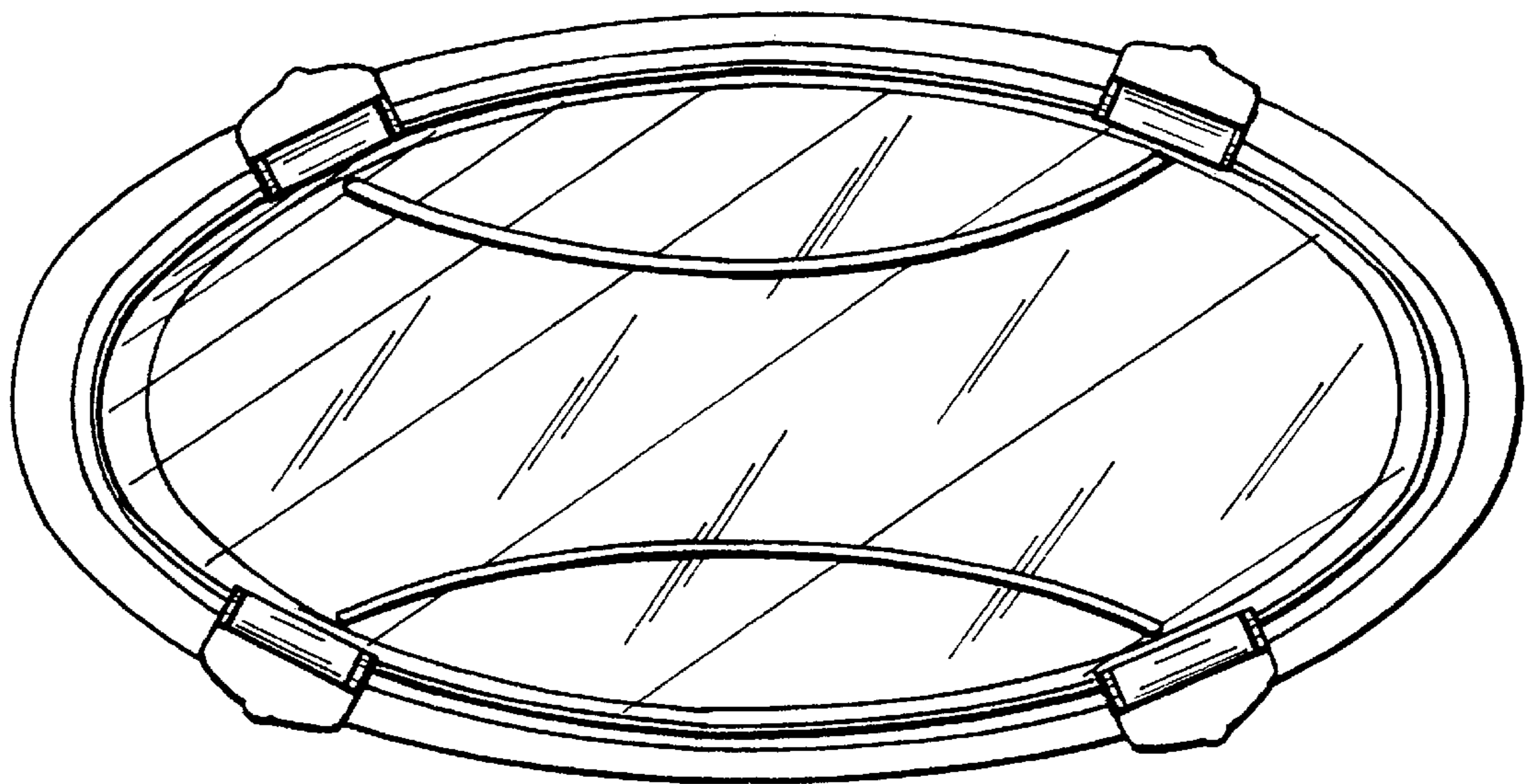


Fig. 3

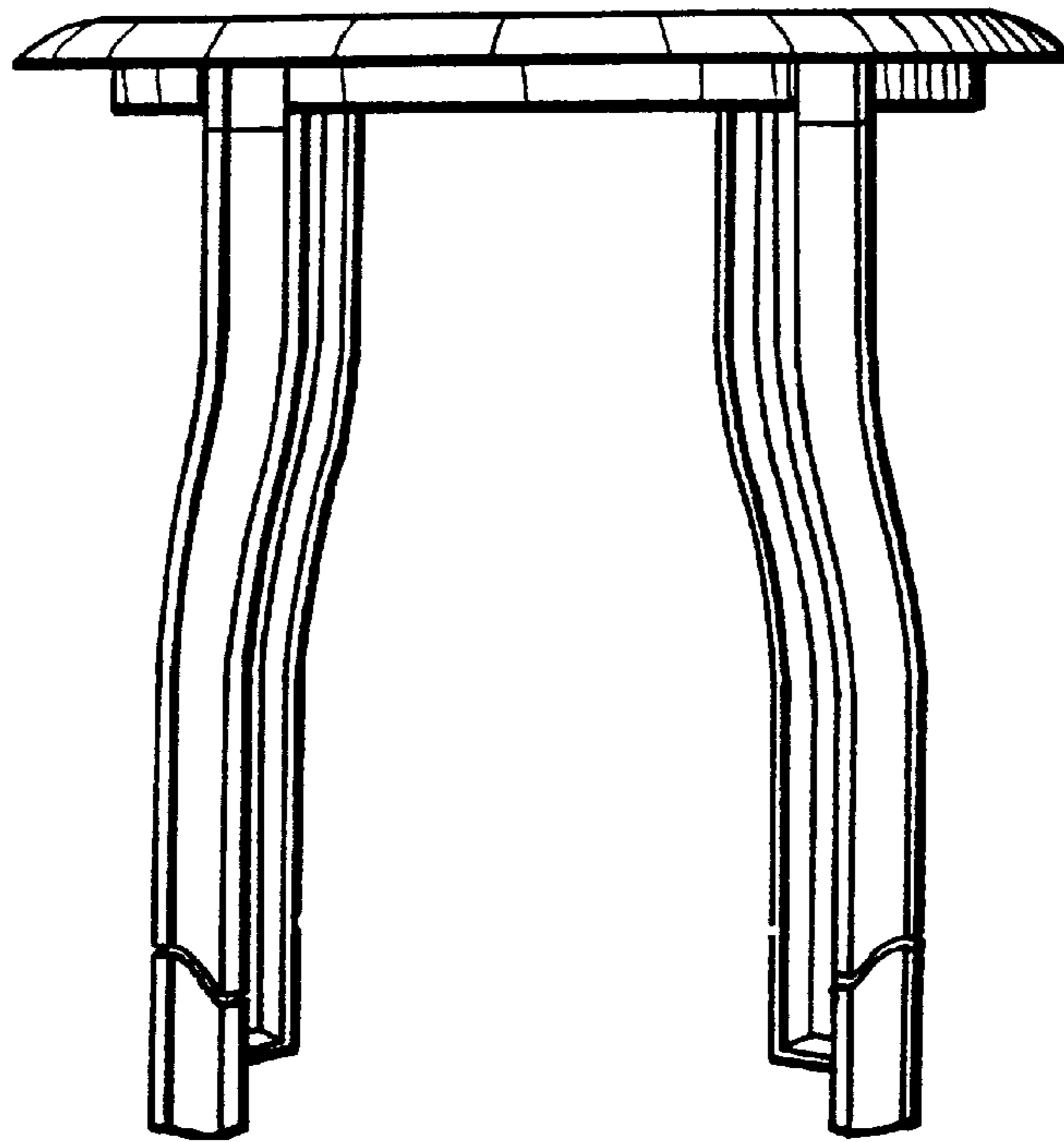


Fig. 4

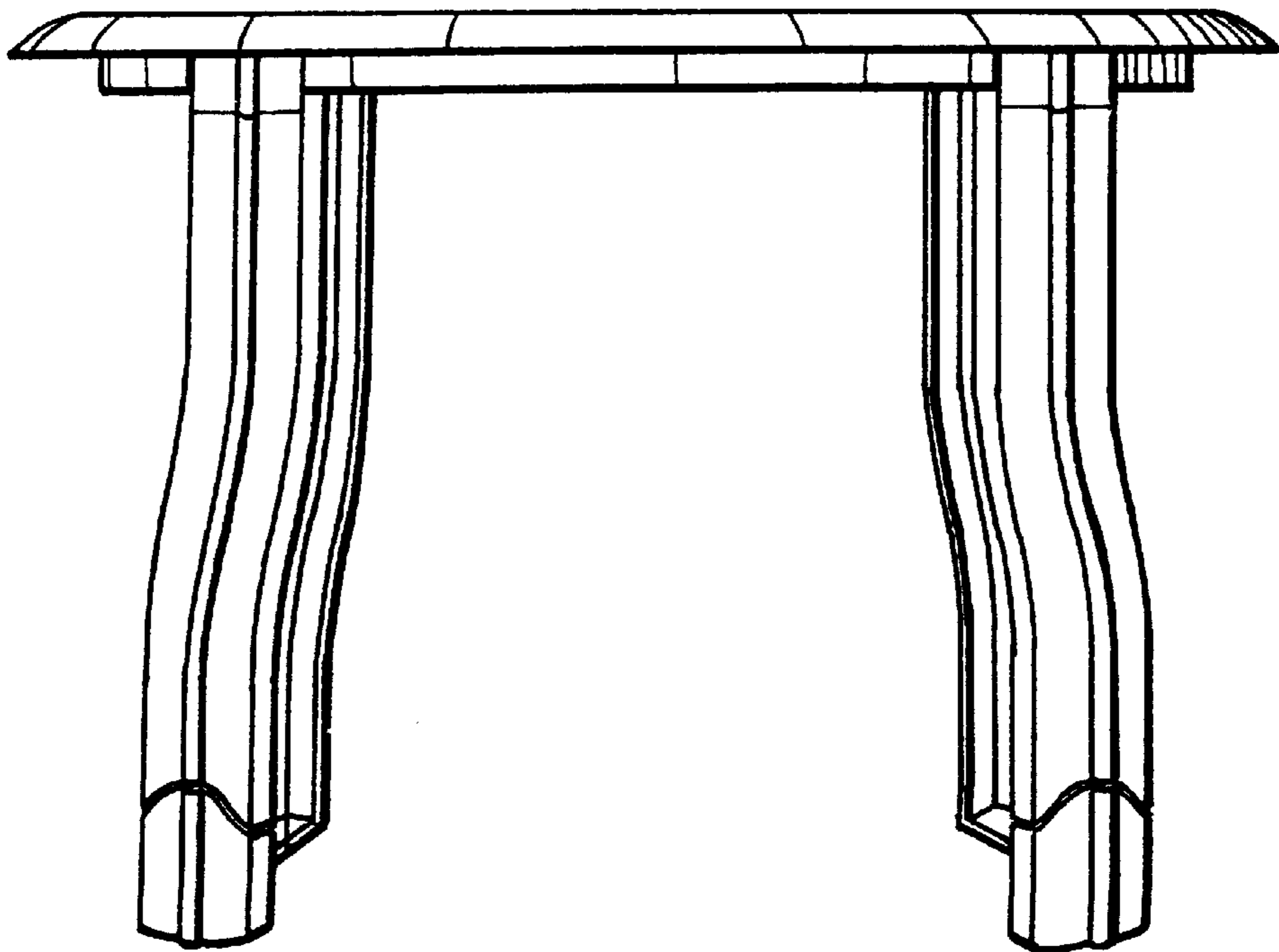


Fig. 5

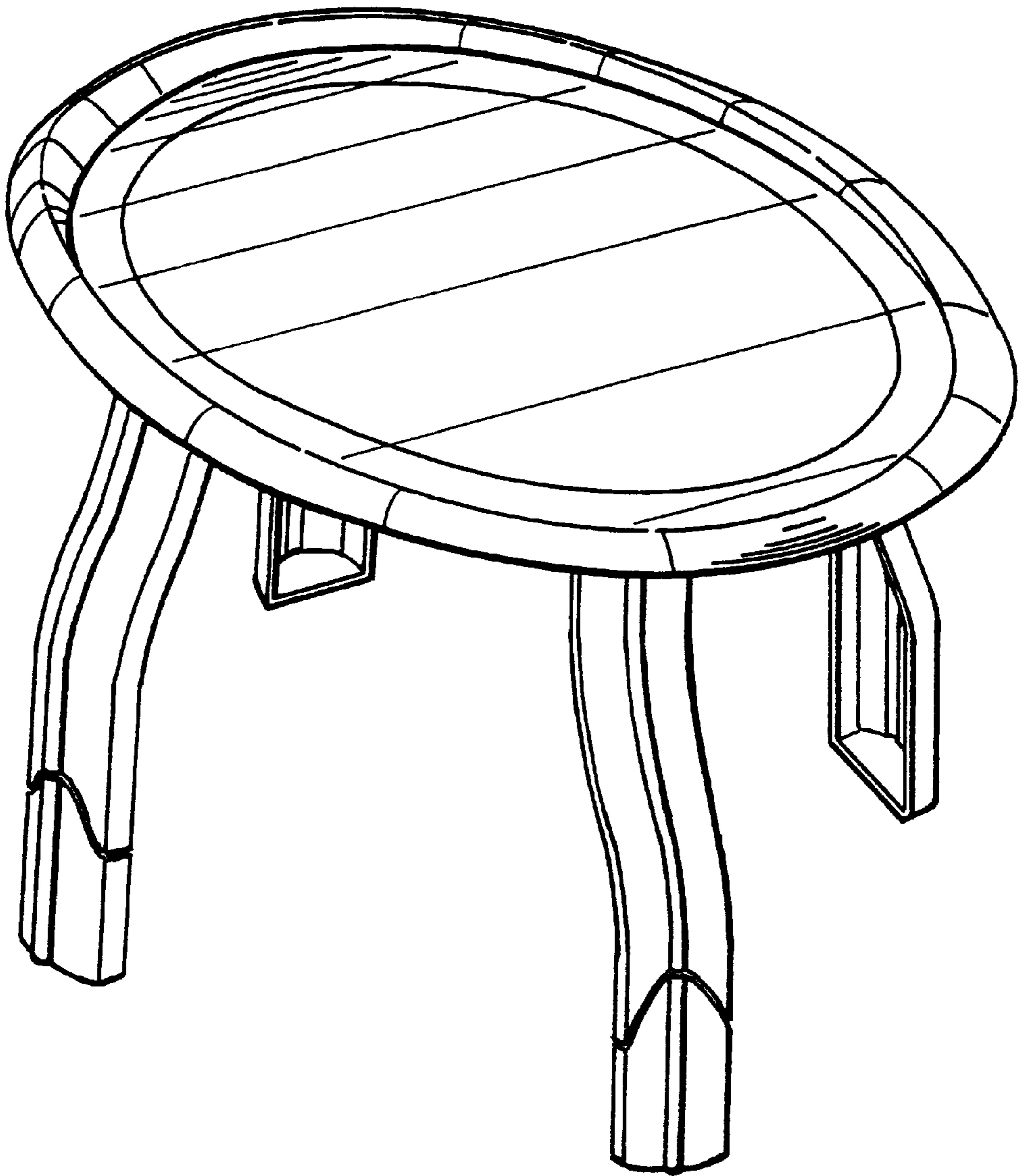


Fig. 6

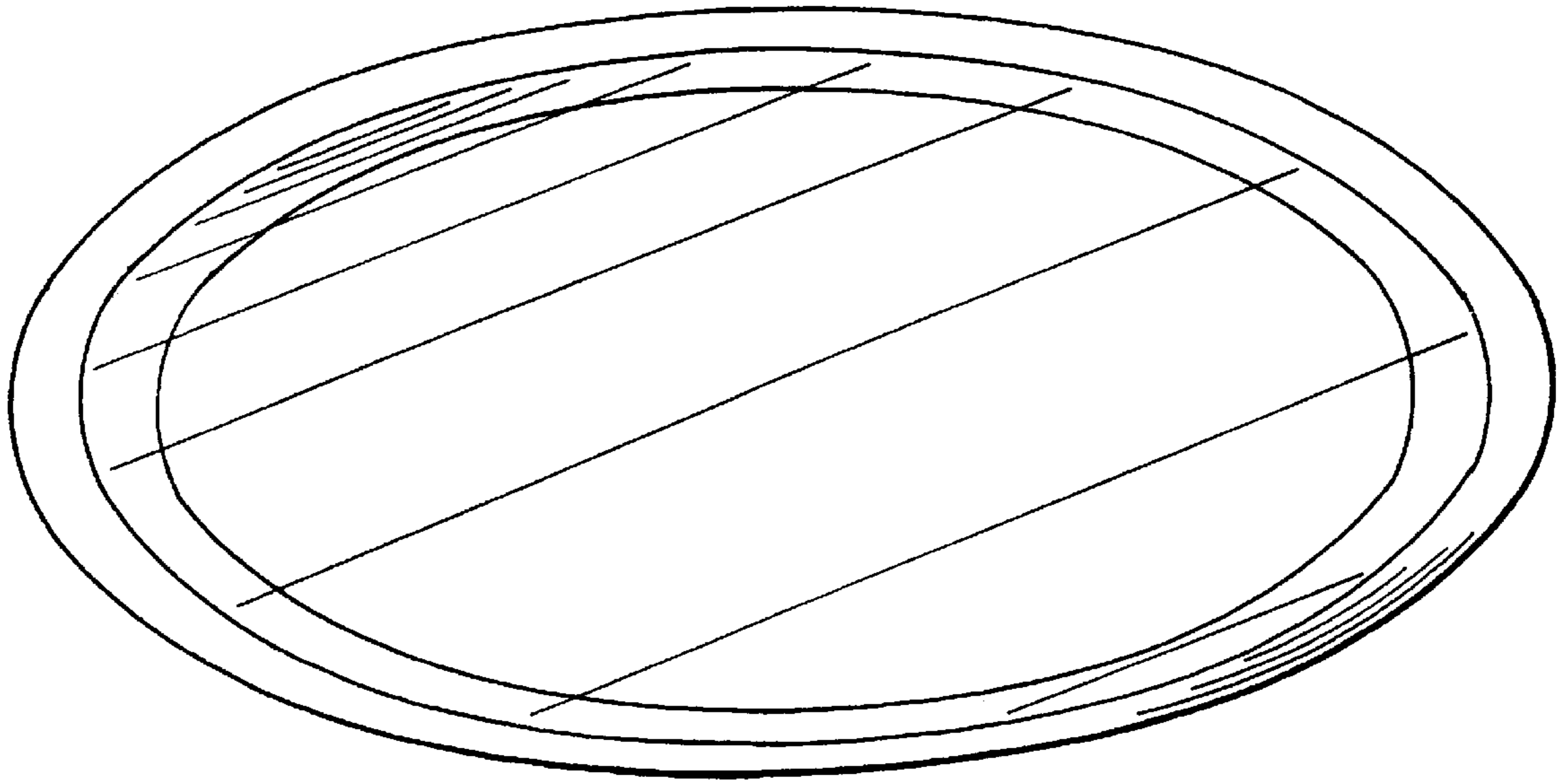


Fig. 7

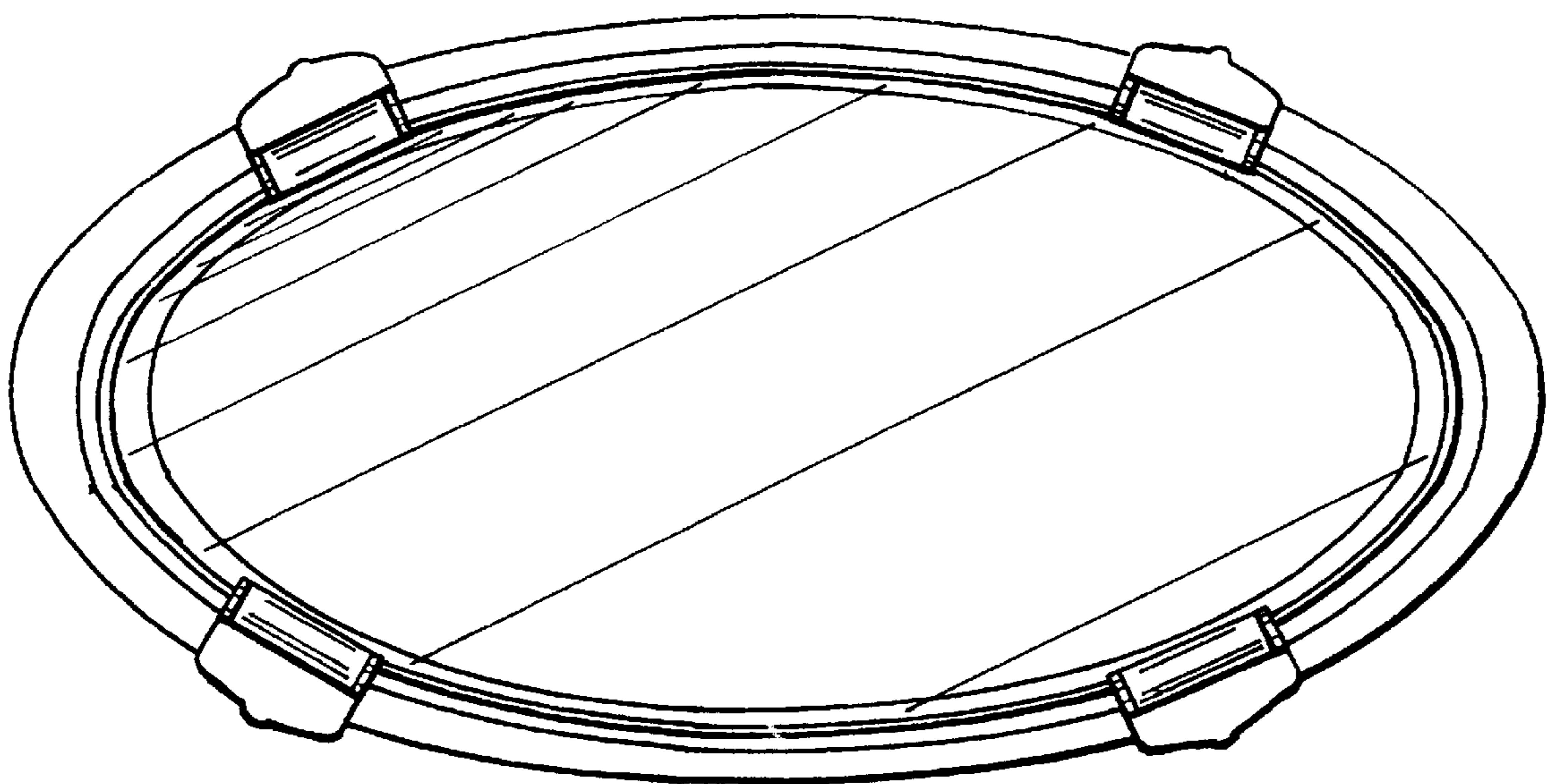


Fig. 8

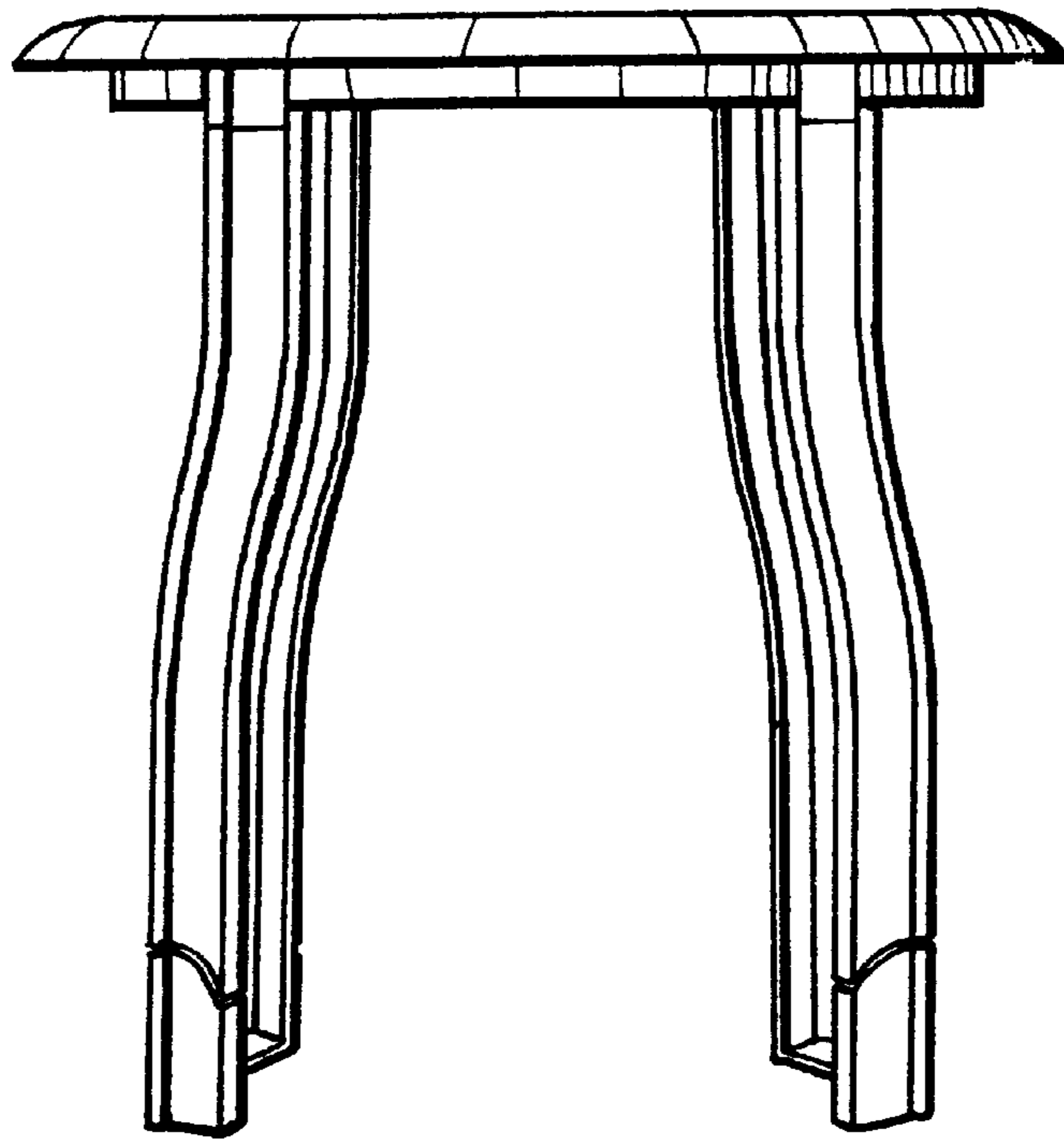


Fig. 9

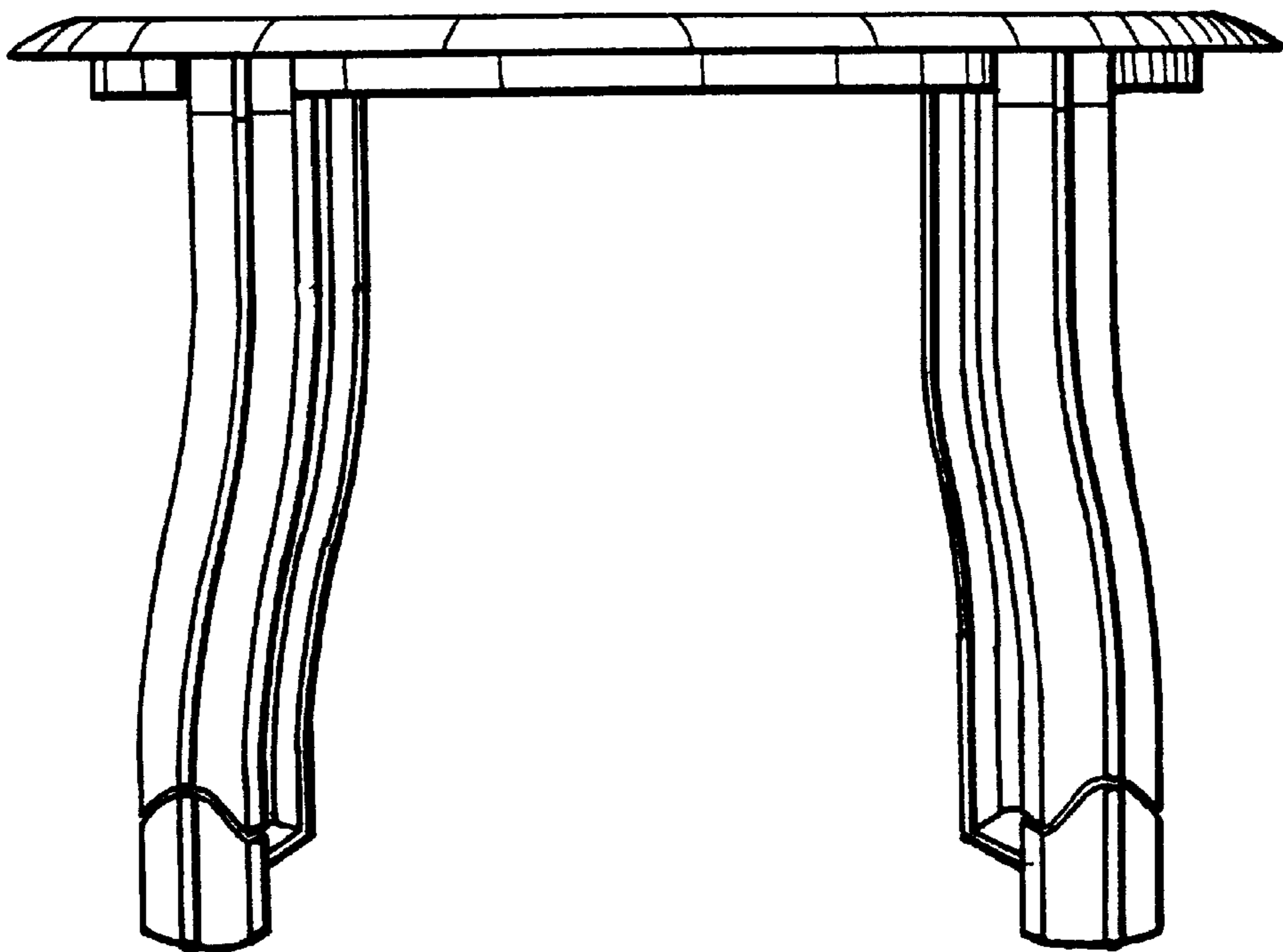


Fig. 10