



US00D435737S

(12) **United States Design Patent**
Hines et al.

(10) **Patent No.:** **US D435,737 S**

(45) **Date of Patent:** **** Jan. 2, 2001**

(54) **CHAIR**

(75) Inventors: **Debra Ann Hines**, Cornelius; **Robert Ellison Flynn**; **Gregory Mark Saul**, both of Charlotte, all of NC (US)

(73) Assignee: **Youth Ergonomics, Inc.**, Cornelius, NC (US)

(**) Term: **14 Years**

(21) Appl. No.: **29/121,889**

(22) Filed: **Apr. 14, 2000**

(51) **LOC (7) Cl.** **06-01**

(52) **U.S. Cl.** **D6/366**

(58) **Field of Search** D6/334, 364, 365, D6/366, 367, 379, 380, 500-502; 297/337, 353, 383, 452.29, 452.32, 452.36, 452.19, 452.21, 452.31

(56) **References Cited**

U.S. PATENT DOCUMENTS

- D. 195,770 * 7/1963 Isola D6/367
- D. 362,973 * 10/1995 Schultz D6/366
- D. 402,224 * 2/2000 Olson D6/366
- D. 405,617 * 2/1999 Kaczmarek et al. D6/366
- D. 410,808 * 6/1999 Baumann et al. D6/500
- D. 414,951 * 10/1999 Breen D6/366

4,596,421 * 6/1986 Schmitz 297/353

5,575,534 * 11/1996 Yu 297/452.21

5,597,204 * 1/1997 Karaus, Jr. 297/353

OTHER PUBLICATIONS

Boling #2134, no page #, The Boling company brochure, Nov. 1989.*

* cited by examiner

Primary Examiner—Doris V. Coles

Assistant Examiner—Mimosa De

(74) *Attorney, Agent, or Firm*—Adams, Schwartz & Evans, P.A.

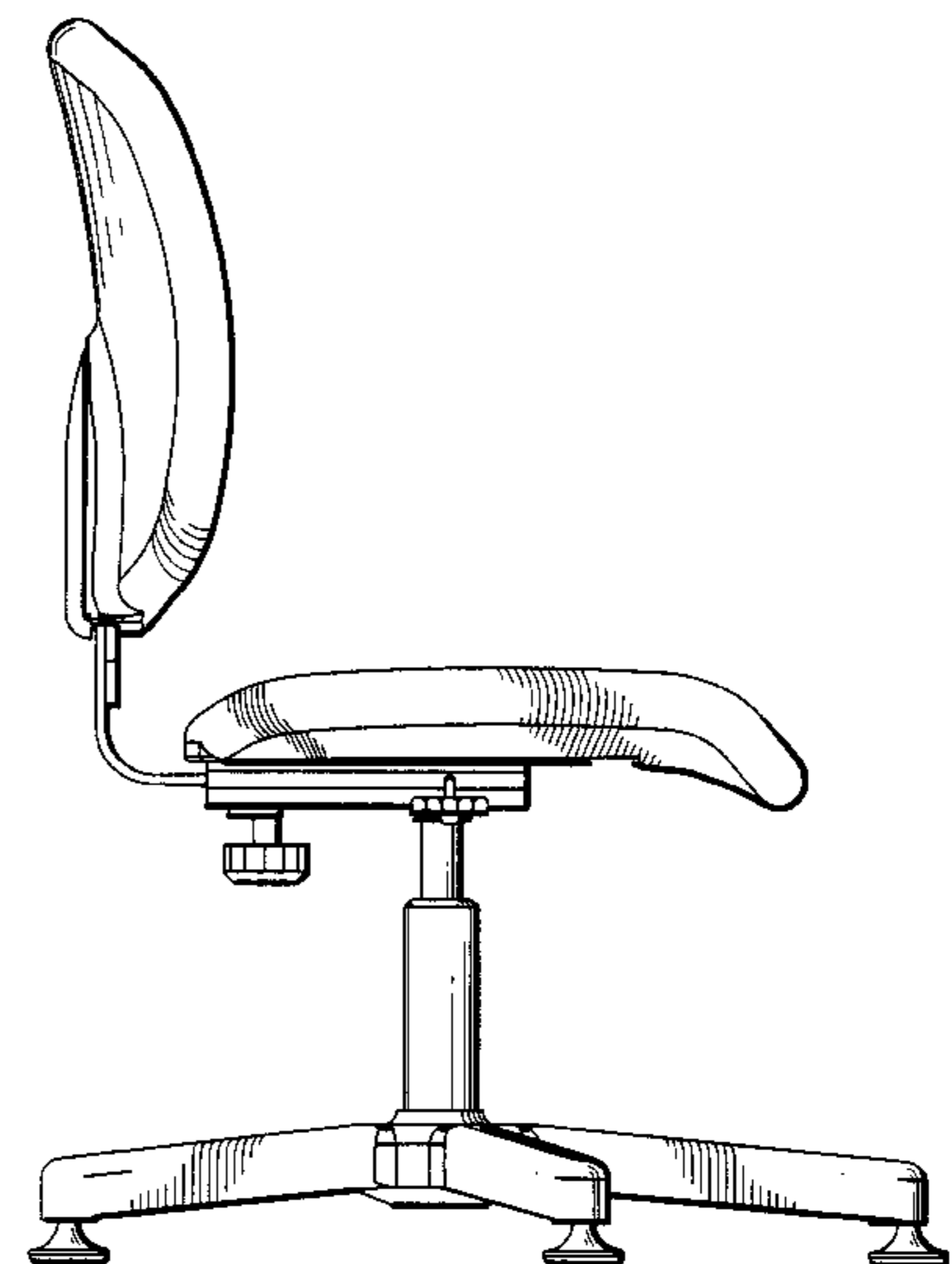
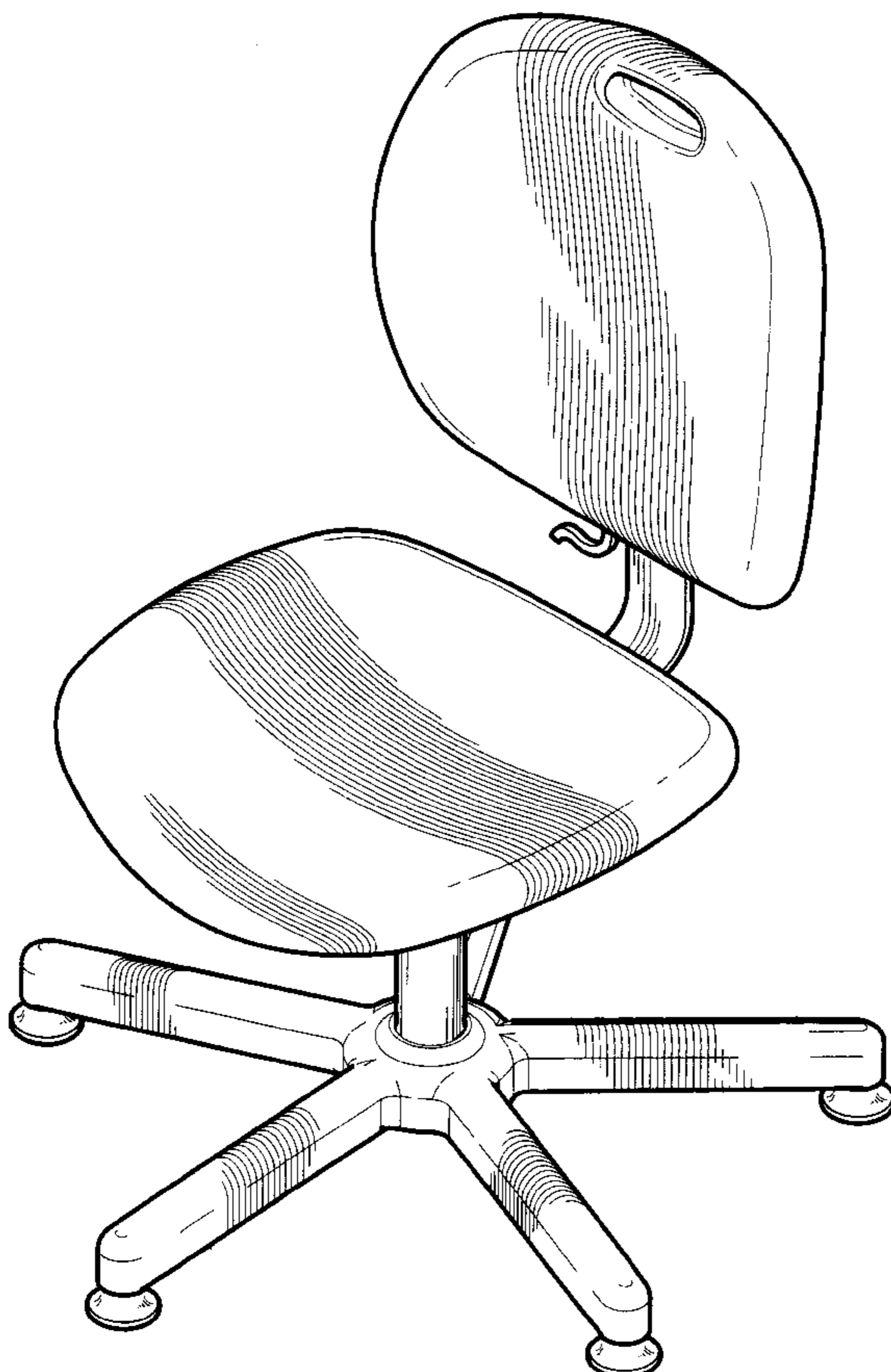
(57) **CLAIM**

The ornamental design for a chair, as shown.

DESCRIPTION

FIG. 1 is a front perspective view of the chair; FIG. 2 is rear perspective view of the chair; FIG. 3 is a right side elevational view thereof; FIG. 4 is a left side elevational view thereof; FIG. 5 is a top plan view thereof; FIG. 6 is a bottom plan view thereof; FIG. 7 is a front elevational view thereof; and, FIG. 8 is a rear elevational view thereof.

1 Claim, 5 Drawing Sheets



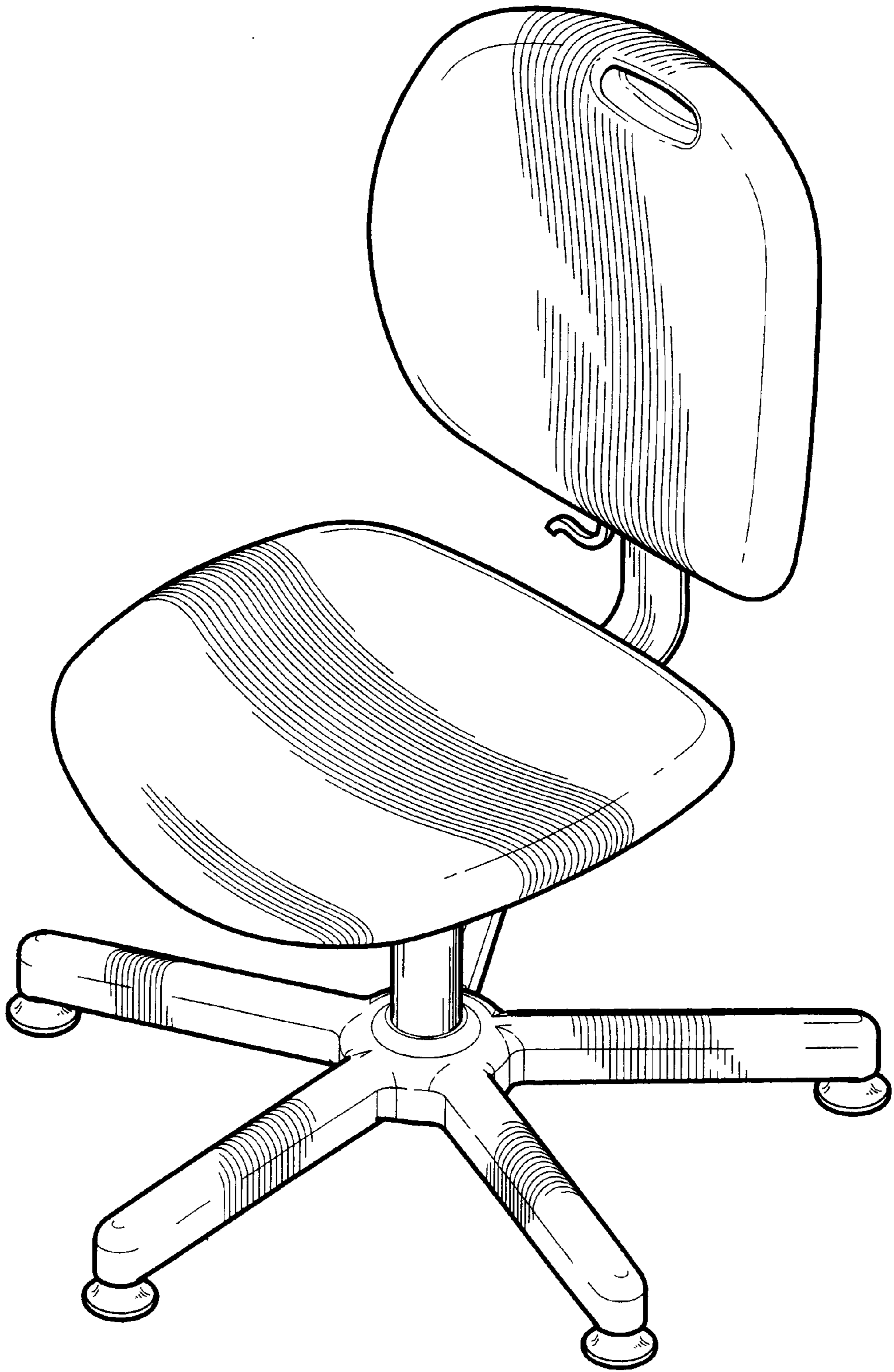


Fig. 1

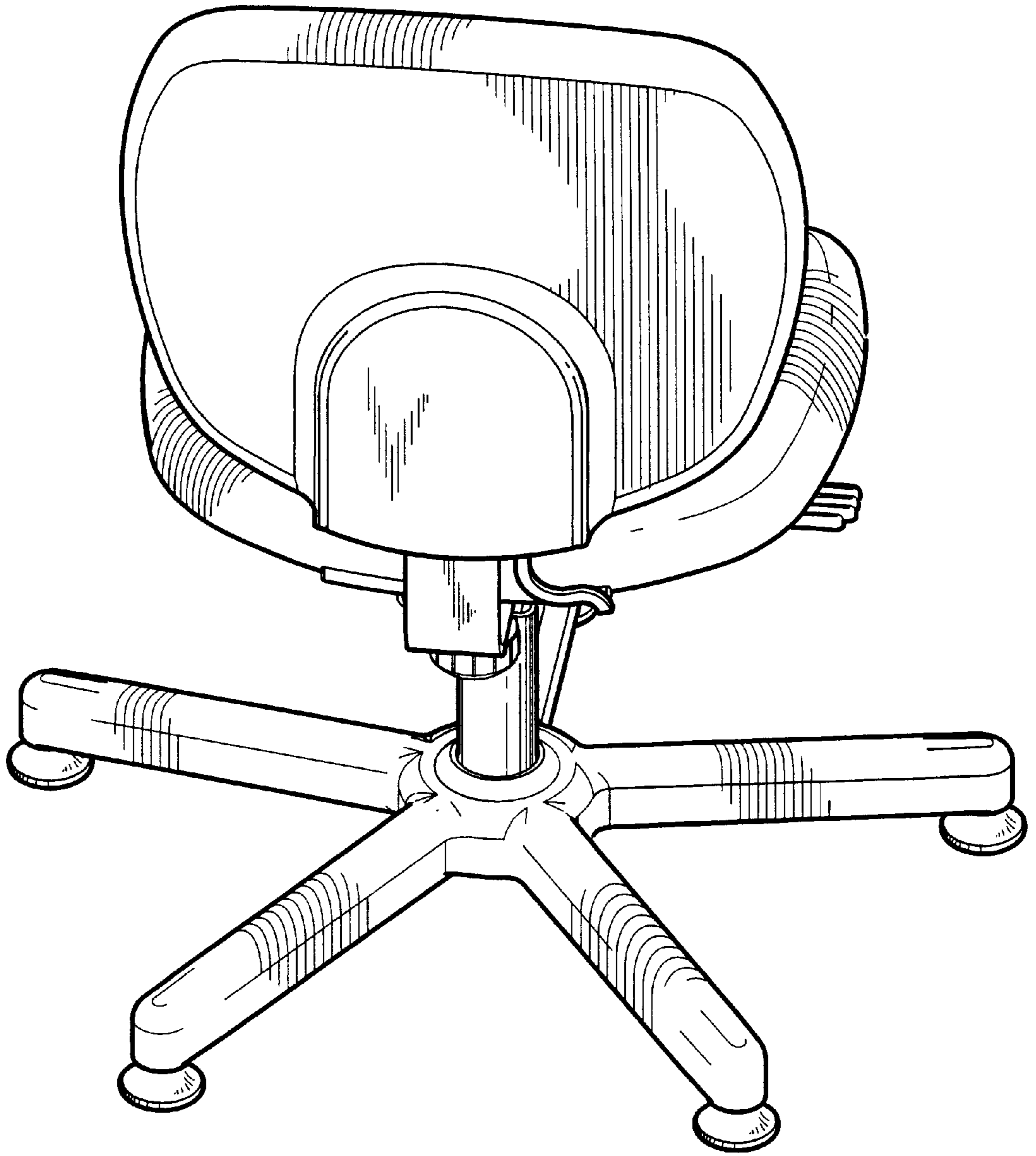


Fig. 2

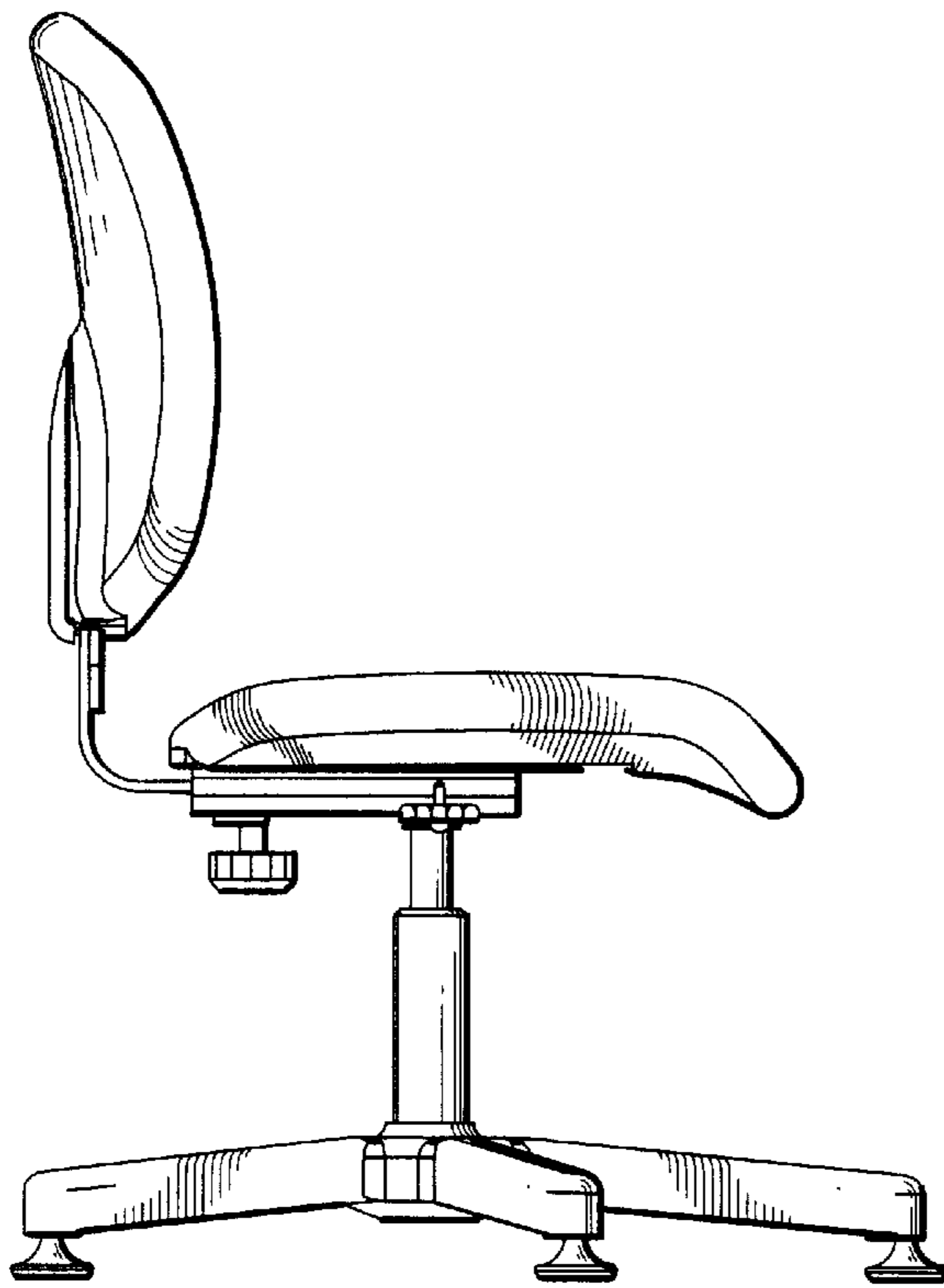


Fig. 3

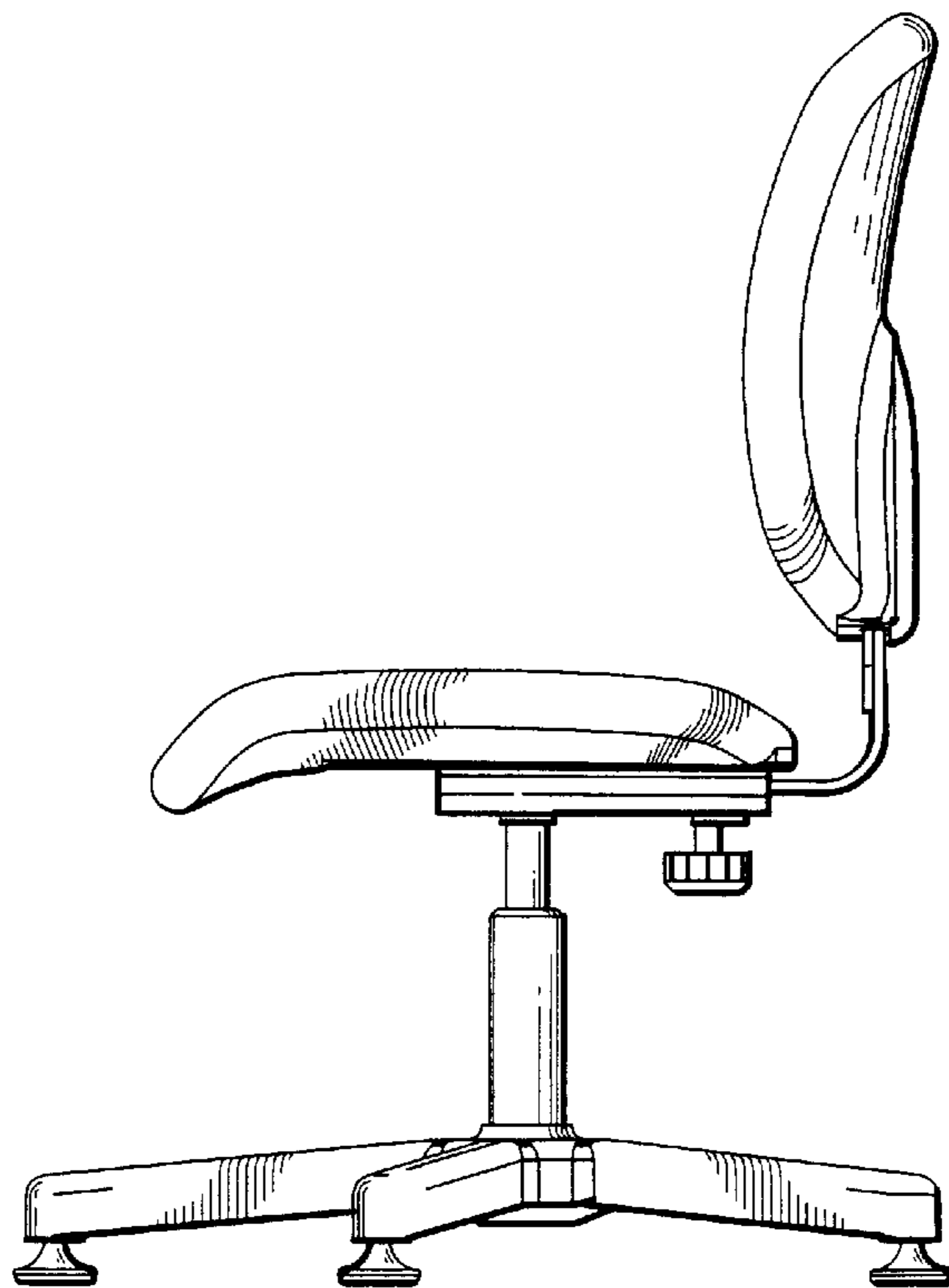


Fig. 4

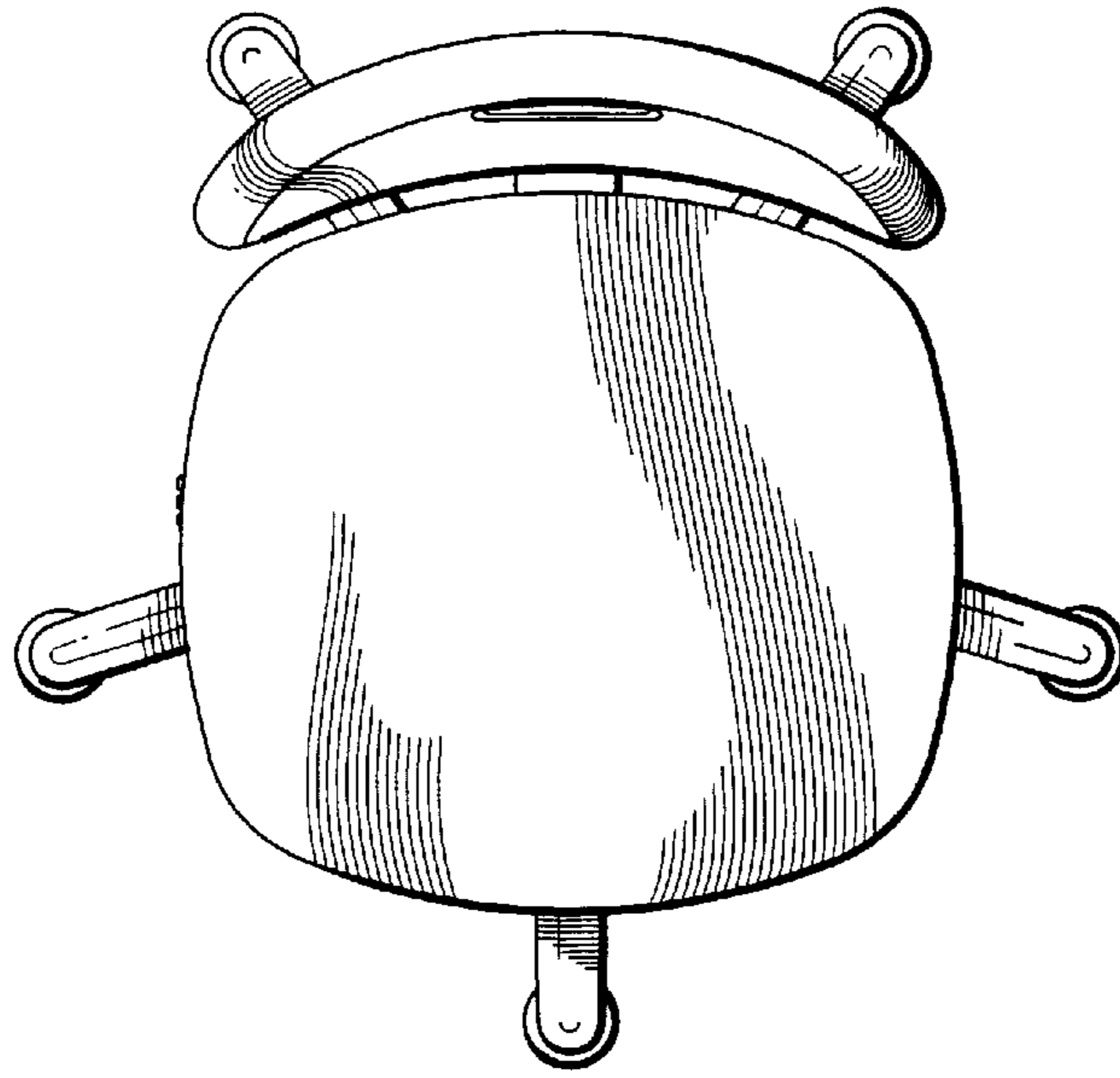


Fig. 5

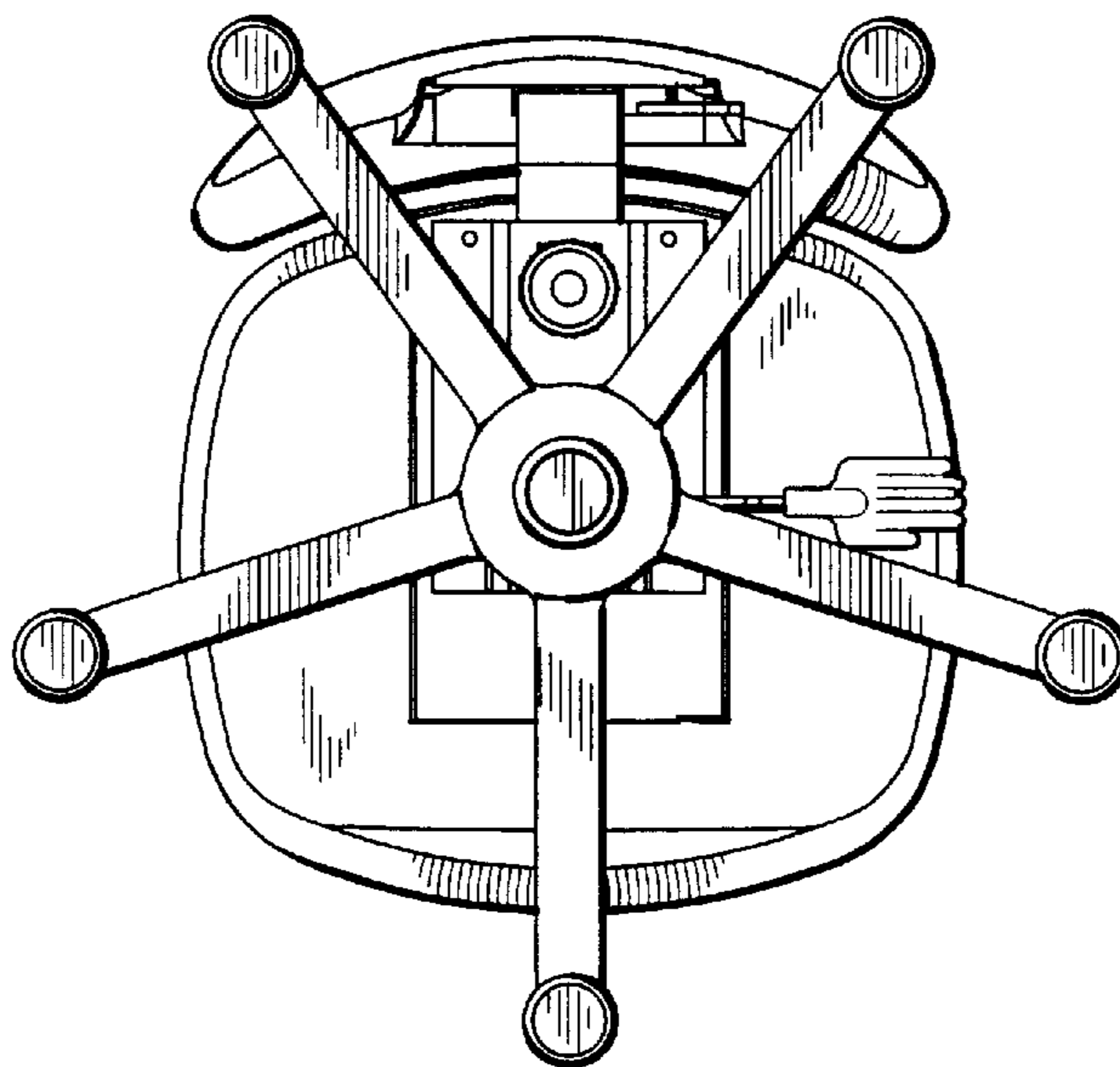


Fig. 6

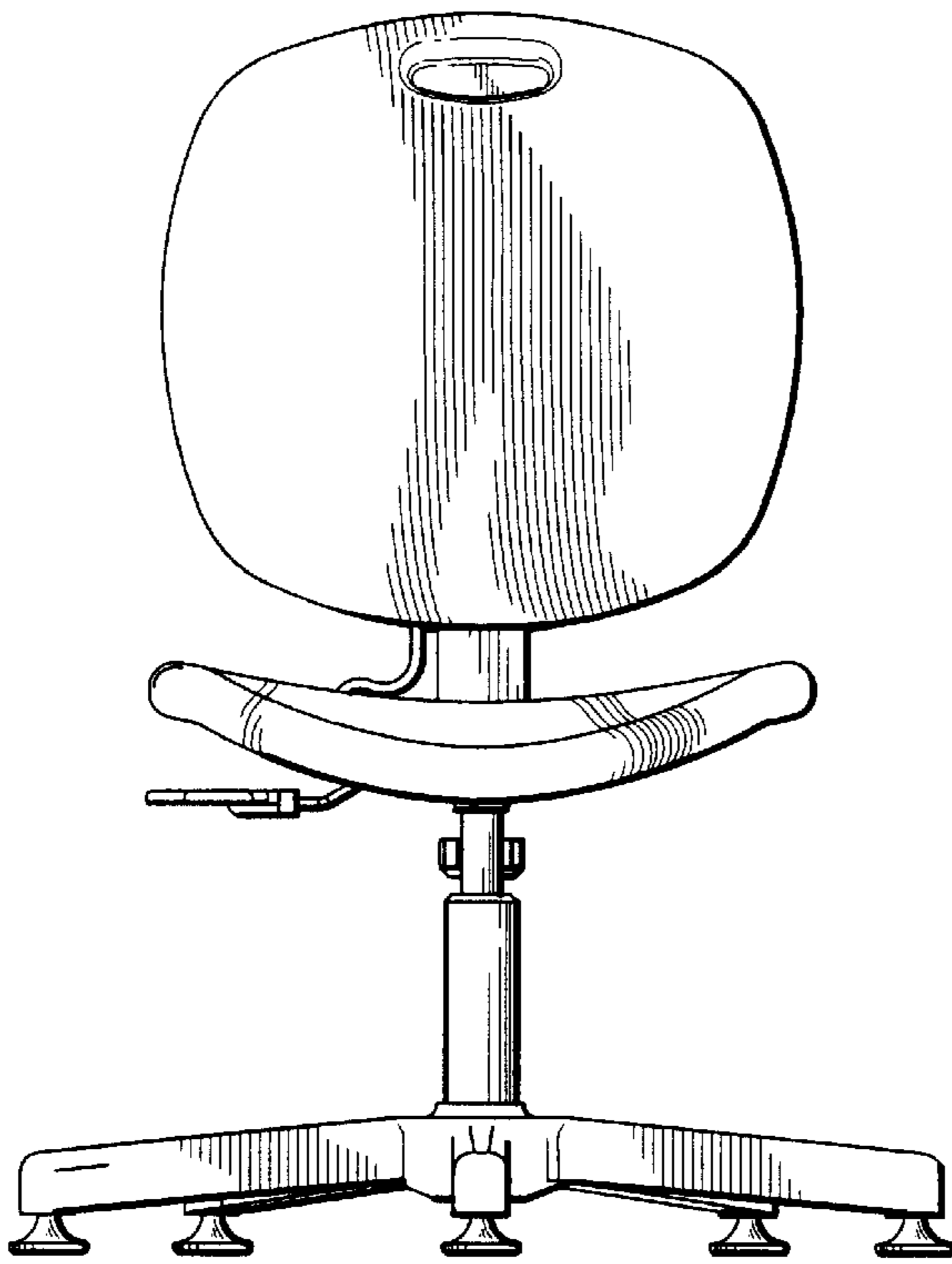


Fig. 7

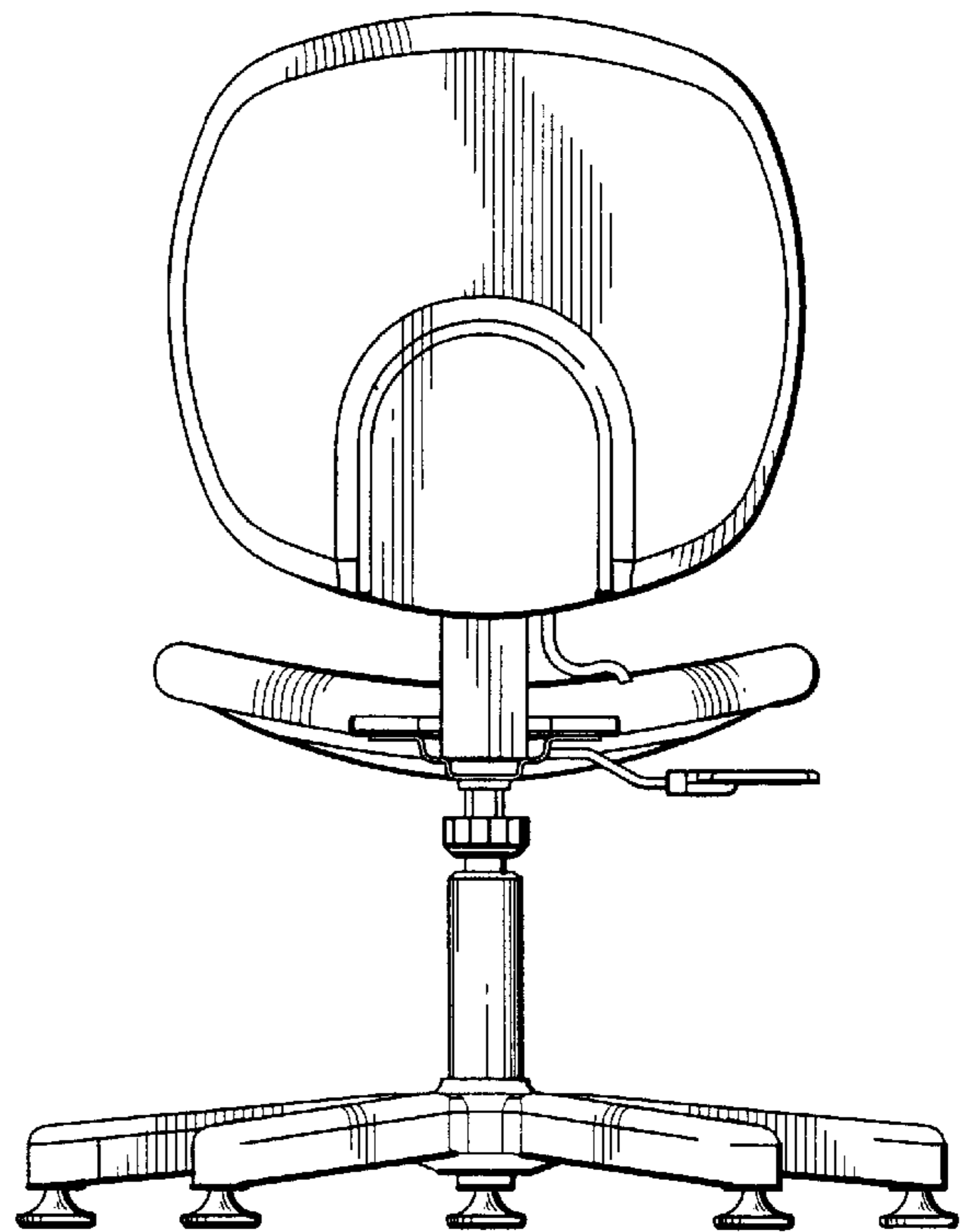


Fig. 8