



US00D435736S

(12) **United States Design Patent**
Chrisco et al.

(10) **Patent No.:** **US D435,736 S**

(45) **Date of Patent:** **** Jan. 2, 2001**

(54) **COMBINATION BENCH AND TABLE**

(75) Inventors: **Larry L. Chrisco**, Fairland; **Orval Lee Fick**, Miami, both of OK (US)

(73) Assignee: **Blitz U.S.A., Inc.**, Miami, OK (US)

(**) Term: **14 Years**

(21) Appl. No.: **29/122,102**

(22) Filed: **Apr. 20, 2000**

(51) **LOC (7) Cl.** **06-01**

(52) **U.S. Cl.** **D6/336; D6/338**

(58) **Field of Search** D6/334, 335, 336,
D6/337, 338, 342, 367, 368, 370, 381,
500-502; 297/118, 124, 126, 232

(56) **References Cited**

U.S. PATENT DOCUMENTS

D. 181,727	*	12/1957	Haynes, Sr.	D6/342
D. 246,683	*	12/1977	Cagle	D6/338
D. 313,128	*	12/1990	Serafini	D6/338
D. 336,796	*	6/1993	Chang	D6/370
D. 354,173	*	1/1995	Escobal et al.	D6/335
D. 368,171	*	3/1996	Snell	D6/336
1,757,960	*	5/1930	Greenstreet	297/124
4,194,784	*	3/1980	Dostal et al.	297/126
4,211,449	*	7/1980	Richardson et al.	297/126
4,615,559	*	10/1986	Blondeau	297/124

4,647,107	*	3/1987	Hoover et al.	297/124
4,662,675	*	5/1987	Volpi	297/124
4,801,175	*	1/1989	Albanese	297/124
4,913,488	*	4/1990	Donnell, Jr.	297/124
5,704,683	*	1/1998	Cooper et al.	297/124

* cited by examiner

Primary Examiner—Doris V. Coles

Assistant Examiner—Mimosa De

(74) *Attorney, Agent, or Firm*—Hovey, Williams, Timmons & Collins

(57) **CLAIM**

The ornamental design for a combination bench and table, as shown and described.

DESCRIPTION

FIG. 1 is a front perspective view of a combination bench and table showing my new design in the form of a bench and table

FIG. 2 is a top plan view thereof;

FIG. 3 is a rear elevational view thereof;

FIG. 4 is an end elevational view thereof;

FIG. 5 is a front perspective view thereof in the form of a bench;

FIG. 6 is a top plan view of FIG. 5;

FIG. 7 is a rear elevational view of FIG. 5; and,

FIG. 8 is an end elevational view of FIG. 5.

1 Claim, 4 Drawing Sheets

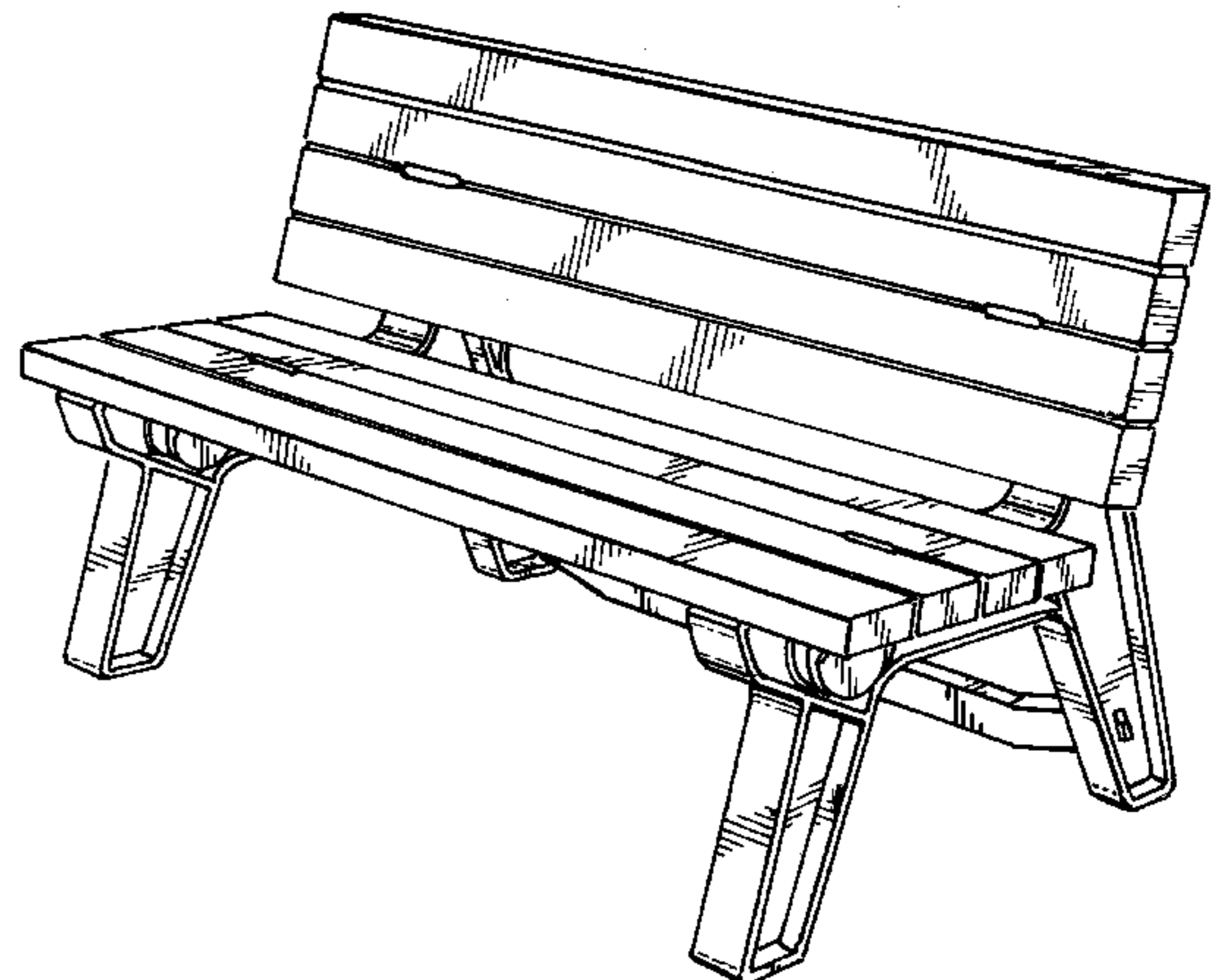
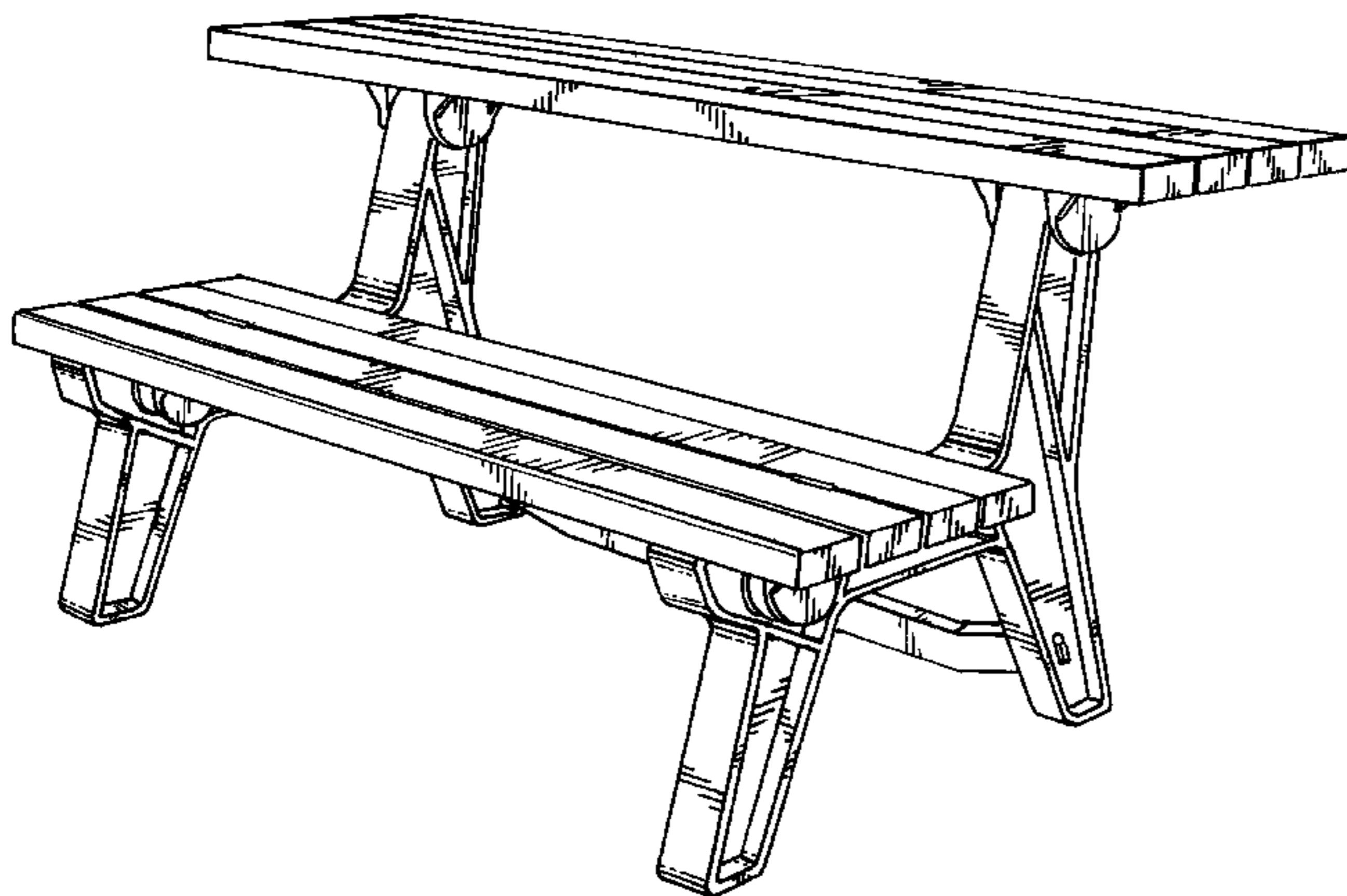


Fig. 1.

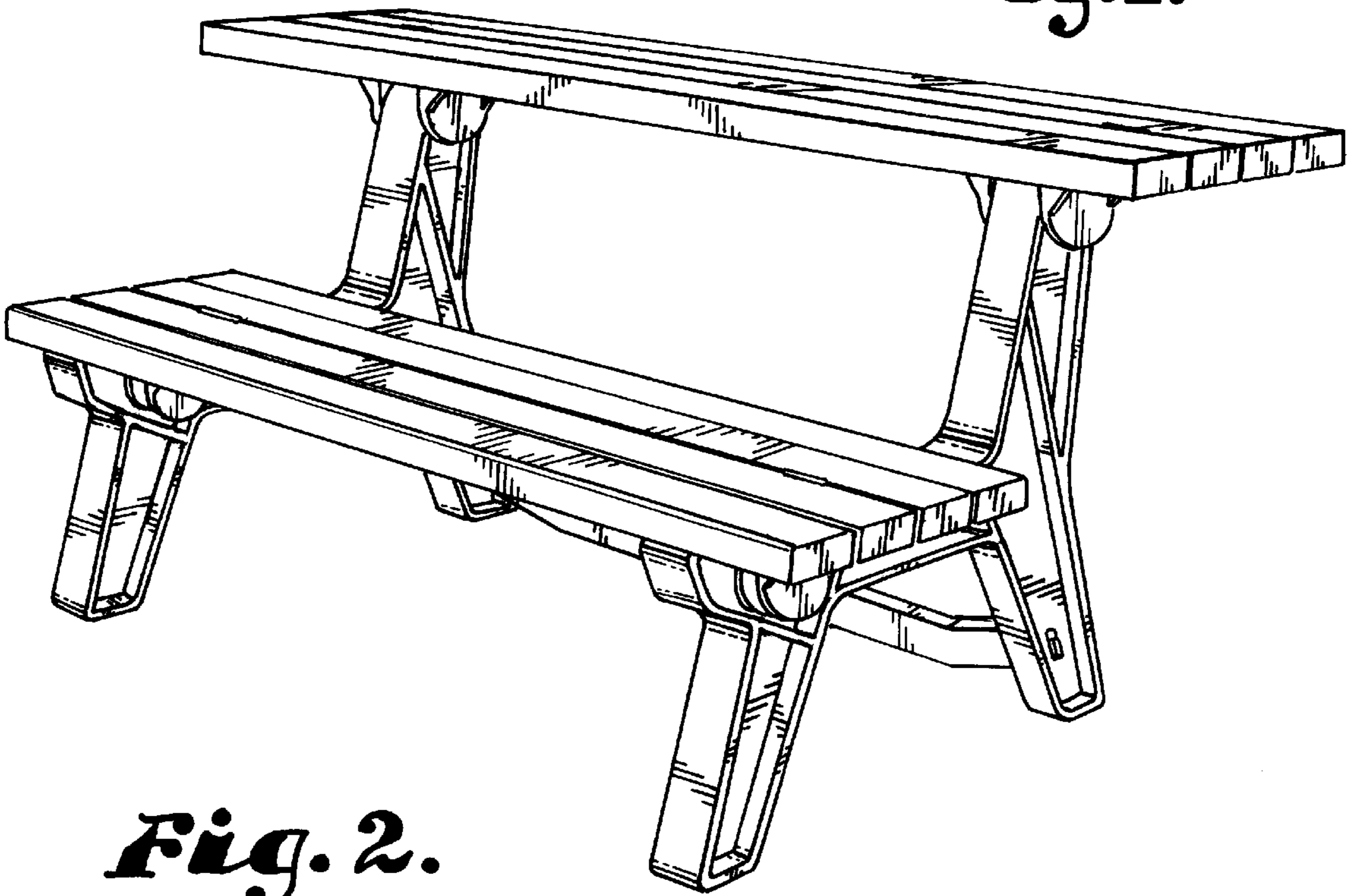
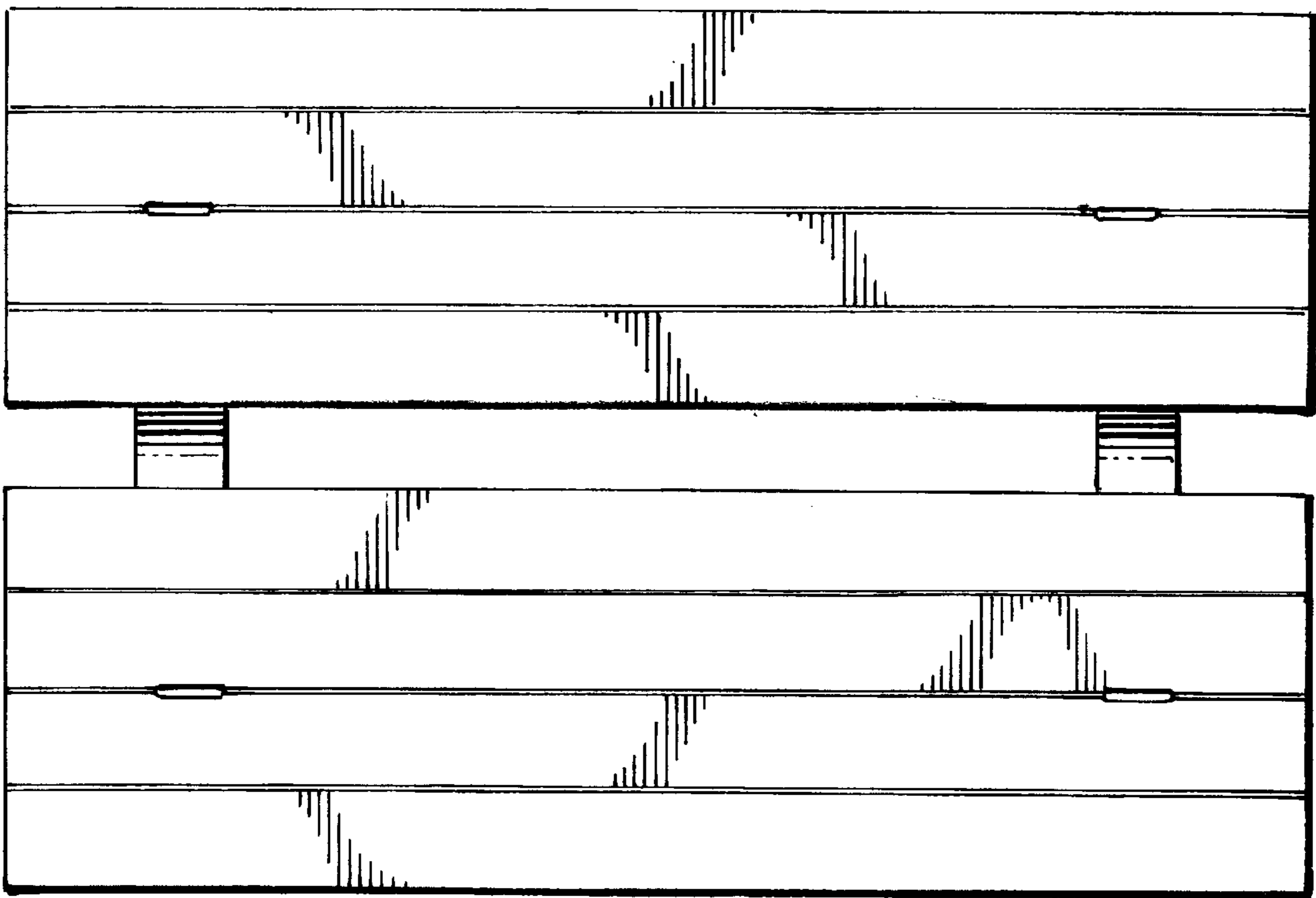


Fig. 2.



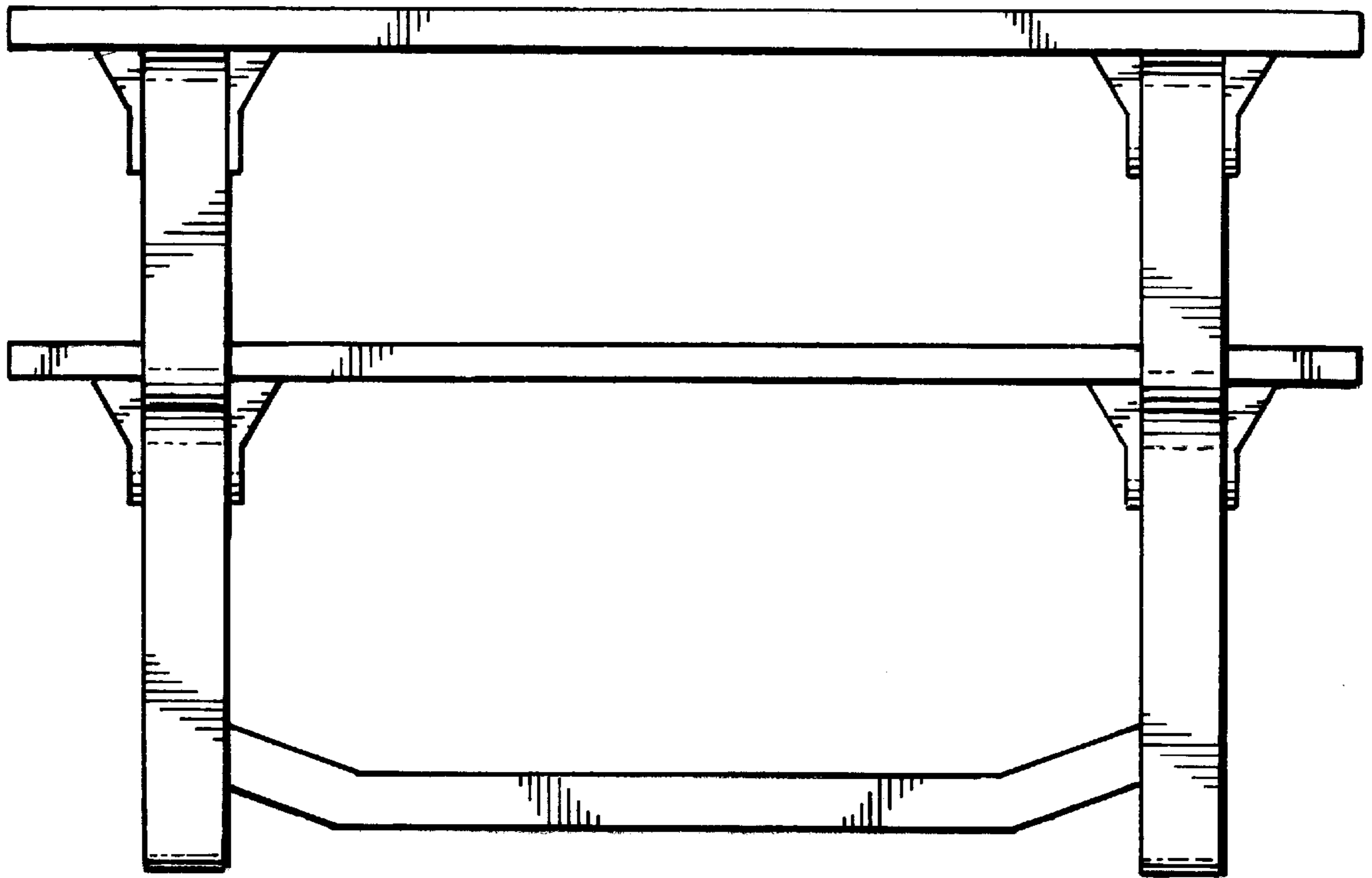


Fig. 3.

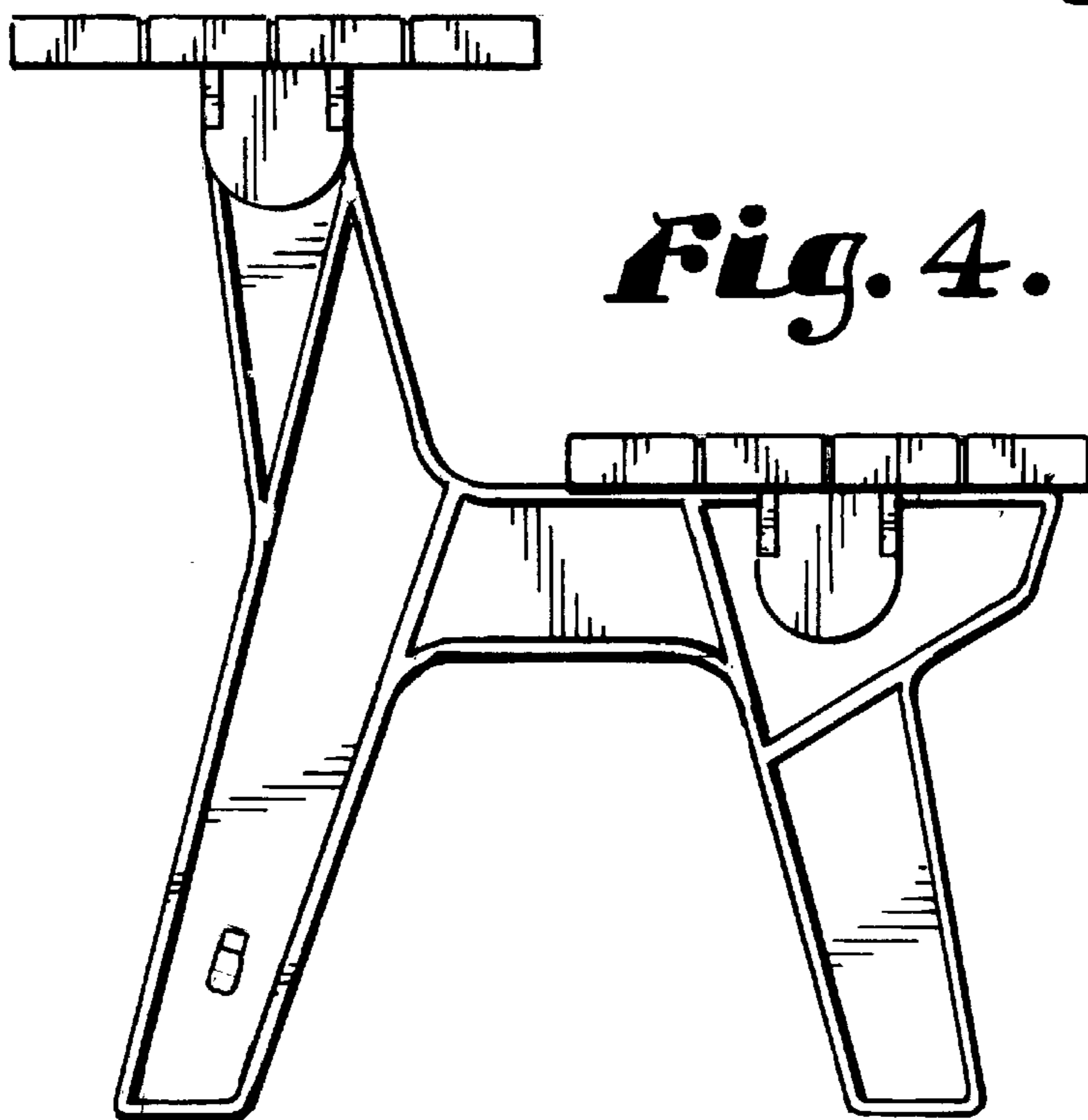


Fig. 4.

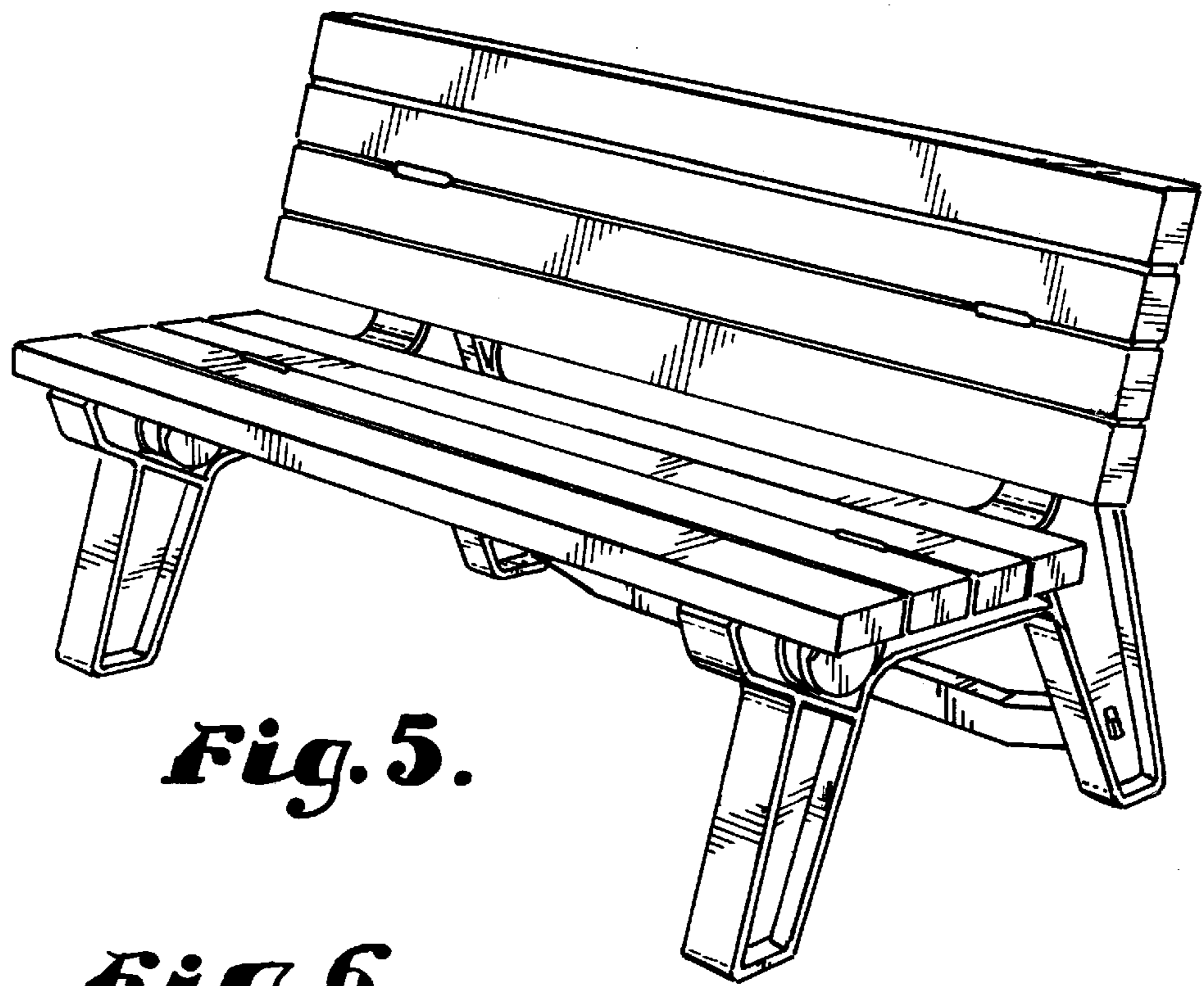
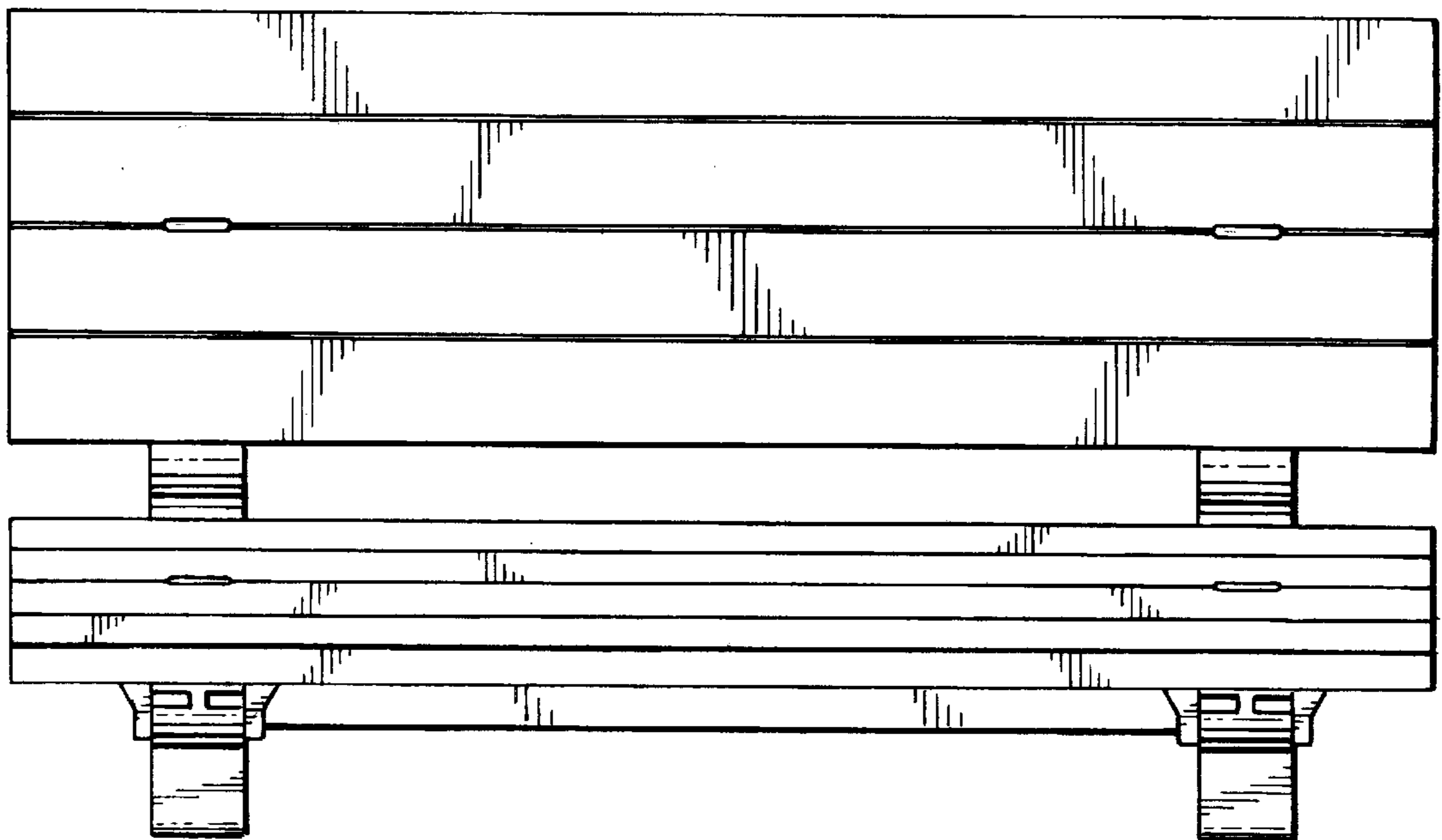


Fig. 5.

Fig. 6.



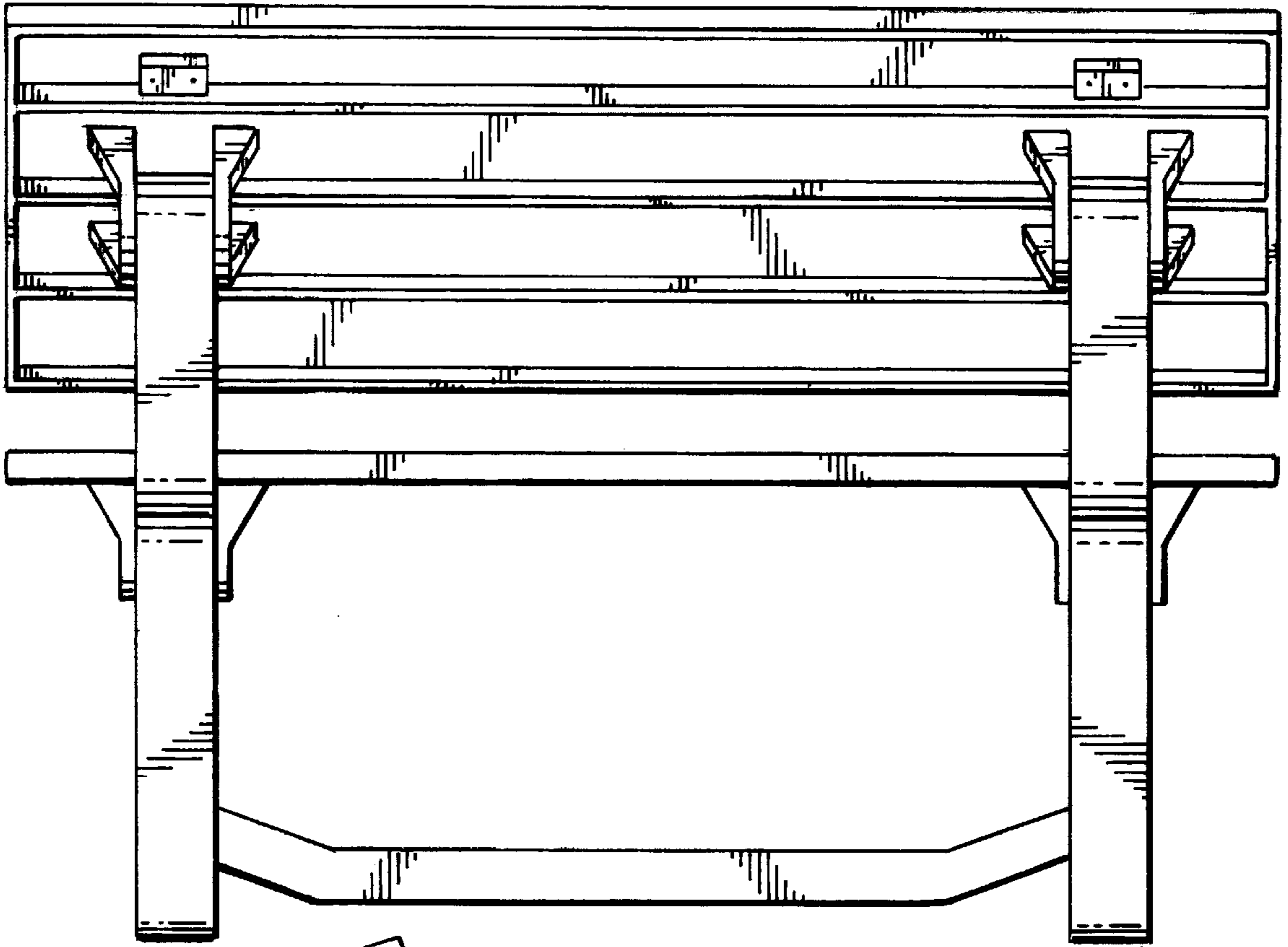


Fig. 7.

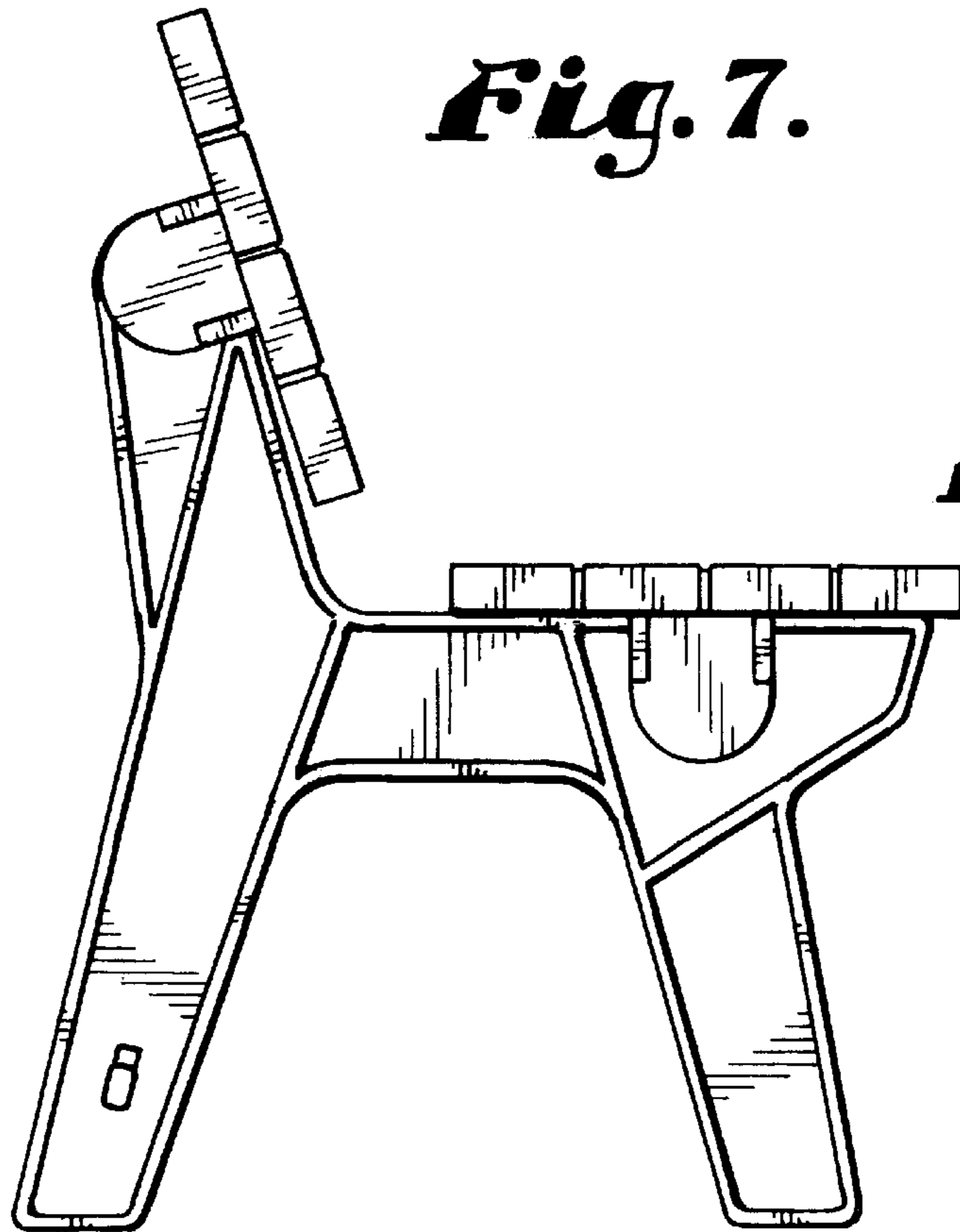


Fig. 8.