



US00D435734S

(12) **United States Design Patent**
Wolfenden

(10) **Patent No.:** **US D435,734 S**

(45) **Date of Patent:** **** *Jan. 2, 2001**

(54) **BROOM HEAD HANDLE CONNECTOR**

(75) **Inventor:** **Anthony Henry Wolfenden, Victoria (AU)**

(73) **Assignee:** **The Decor Corporation Pty Ltd, Scoresby Victoria (AU)**

(*) **Notice:** This patent is subject to a terminal disclaimer.

(**) **Term:** **14 Years**

(21) **Appl. No.:** **29/105,998**

(22) **Filed:** **Jun. 4, 1999**

(30) **Foreign Application Priority Data**

Dec. 18, 1998 (AU) 3995/98

(51) **LOC (7) Cl.** **04-99**

(52) **U.S. Cl.** **D4/199; D32/50**

(58) **Field of Search** D4/132, 135, 199;
15/146, 159.1, 160, 171, 176.1, 176.2;
403/296, 298, 299

(56) **References Cited**

U.S. PATENT DOCUMENTS

D. 371,003 * 6/1996 Wolfenden D4/135

1,143,090	*	6/1915	Stiefel	15/146
1,311,657	*	7/1919	Levins	15/146
4,371,282	*	2/1983	Sturm	403/299 X
4,792,256	*	12/1988	Batchelor	403/296
5,568,668	*	10/1996	Margolin	15/146 X

* cited by examiner

Primary Examiner—Alan P. Douglas

Assistant Examiner—Lavone Tabor

(74) *Attorney, Agent, or Firm*—McDermott, Will & Emery

(57) **CLAIM**

The ornamental design for a broom head handle connector, as shown and described.

DESCRIPTION

FIG. 1 is a perspective view from above and one side thereof;

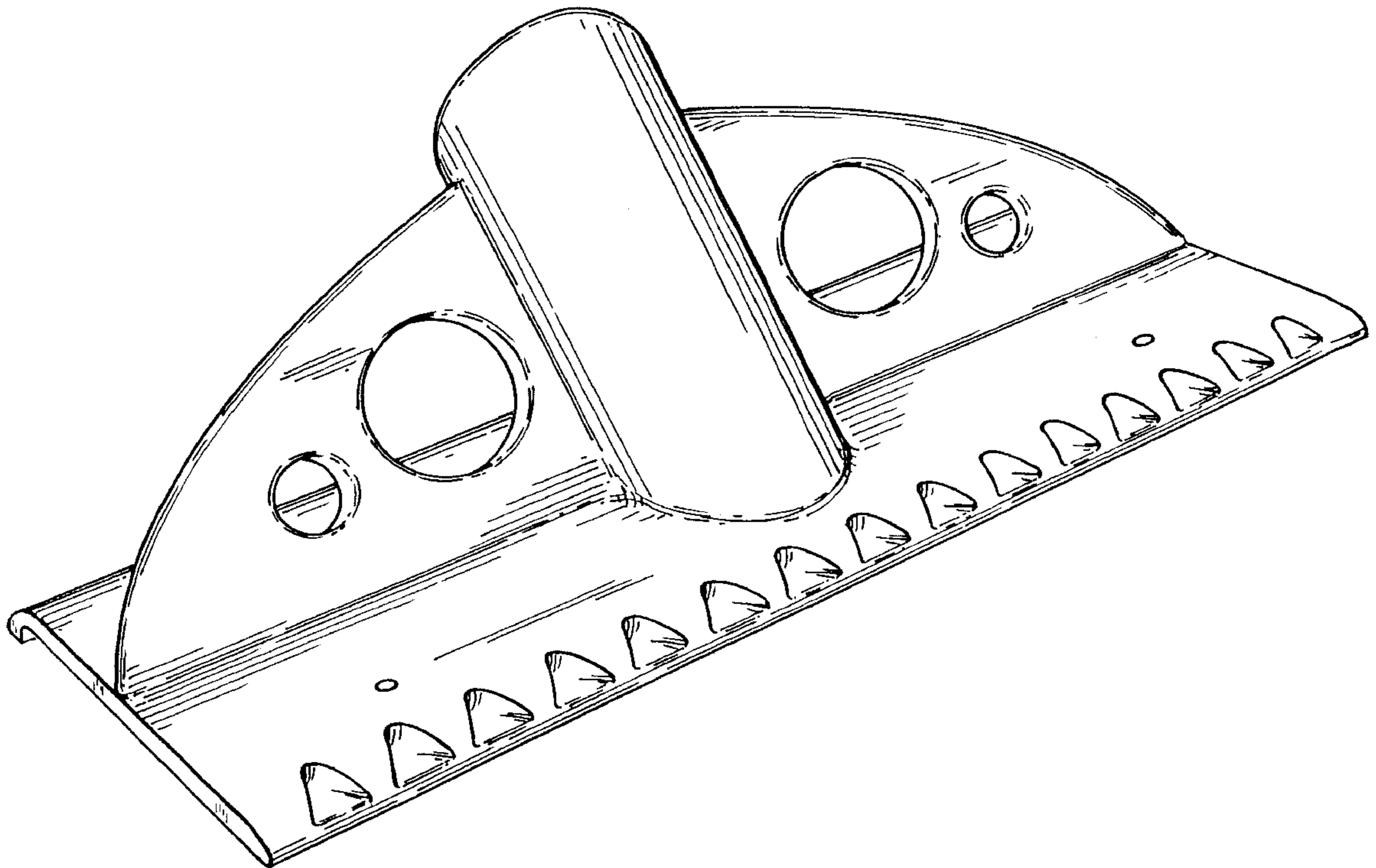
FIG. 2 is a side view thereof;

FIG. 3 is a front view thereof;

FIG. 4 is a plan view thereof; and,

FIG. 5 is a rear view thereof.

1 Claim, 2 Drawing Sheets



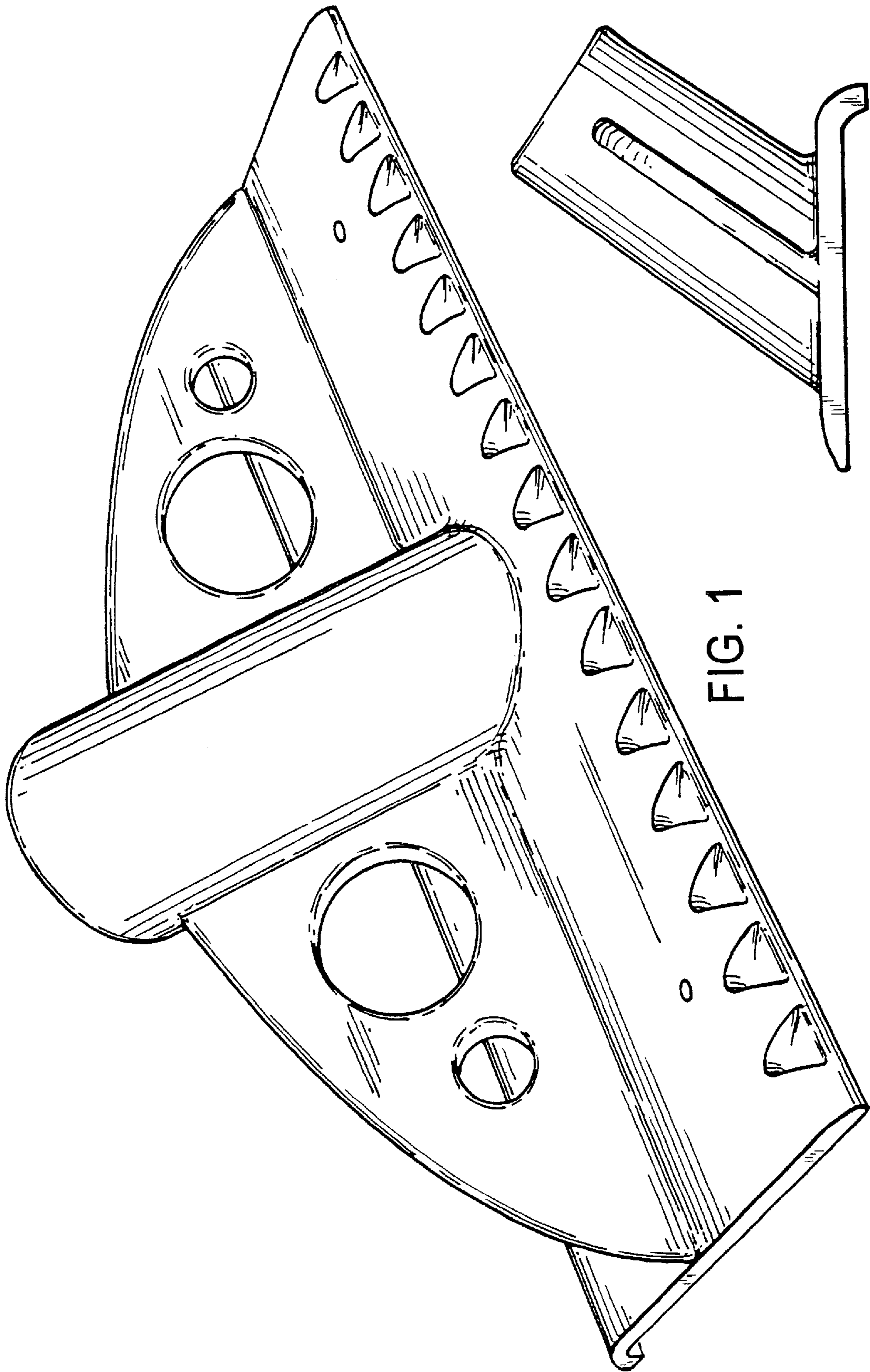


FIG. 1

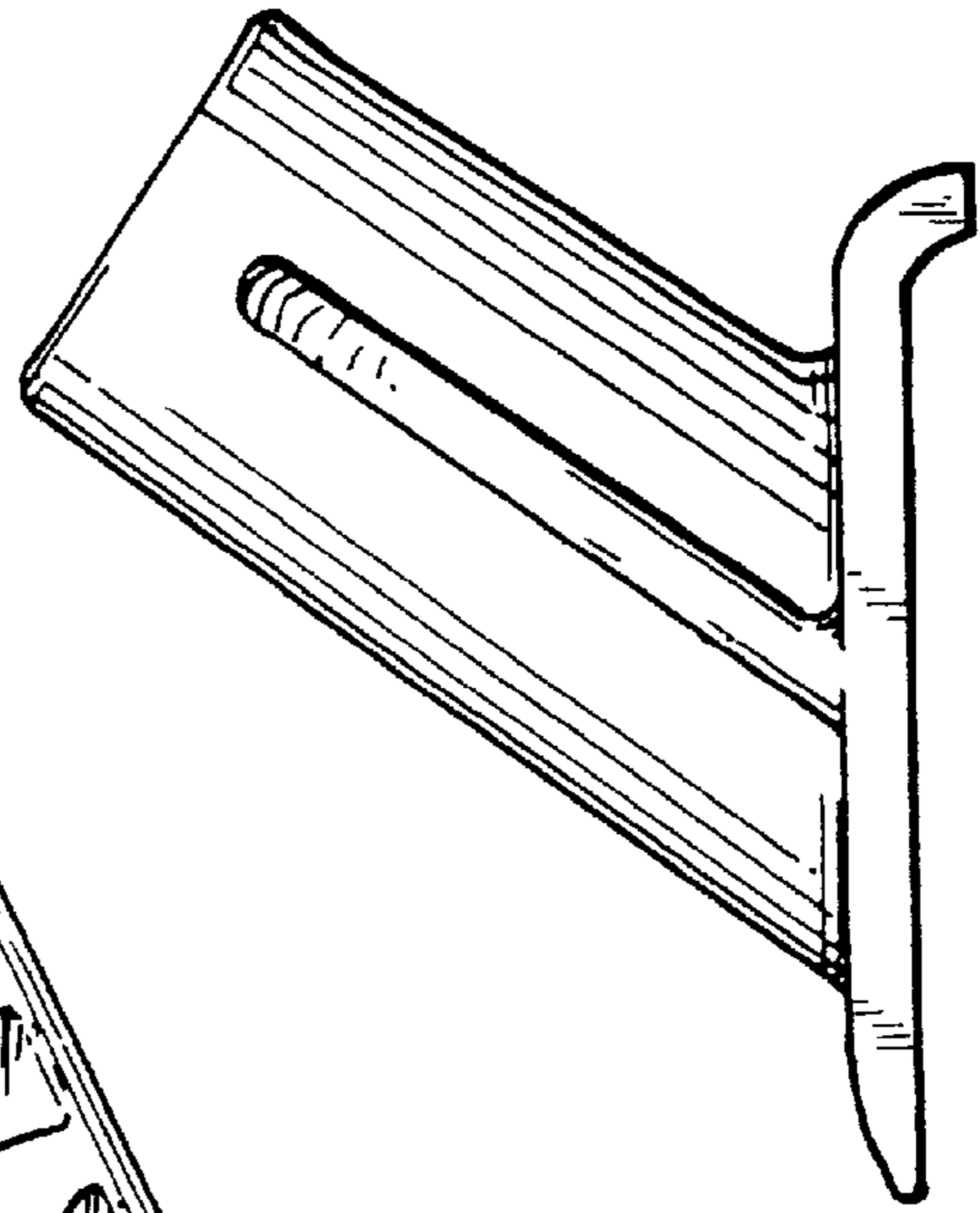


FIG. 2

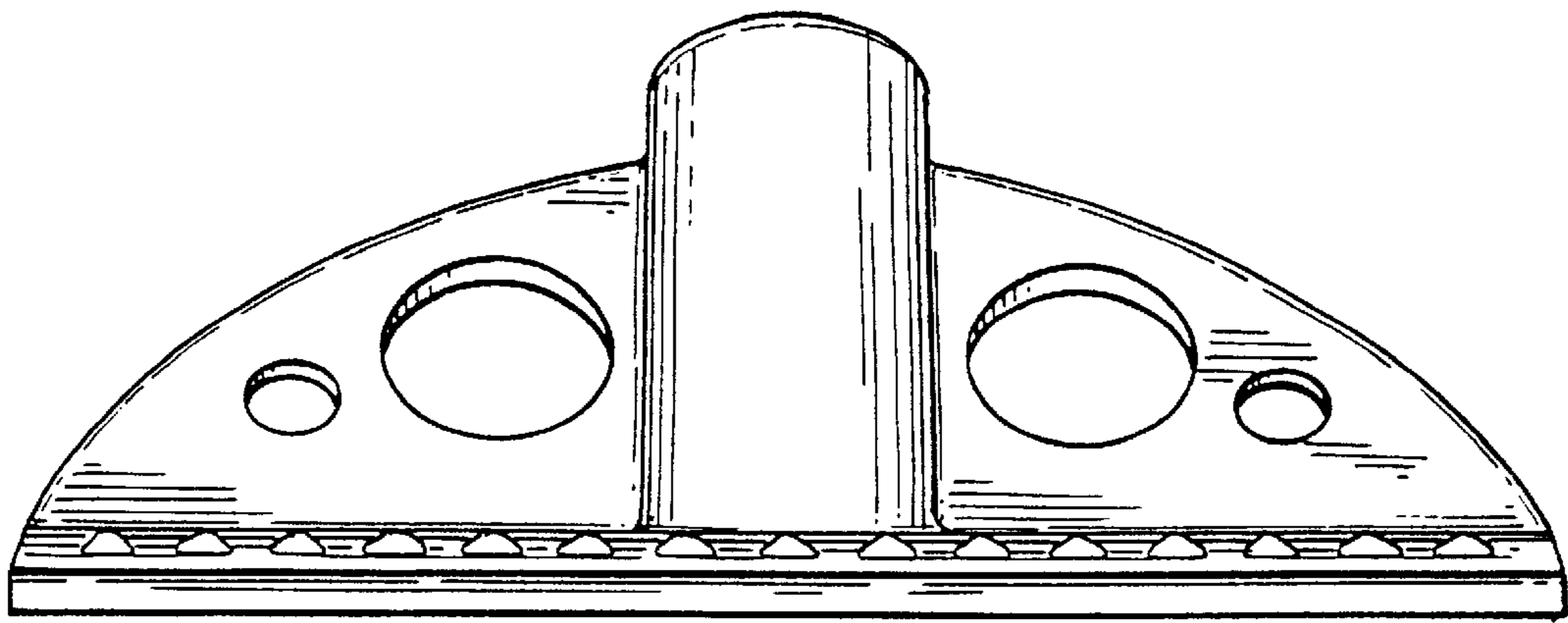


FIG. 3

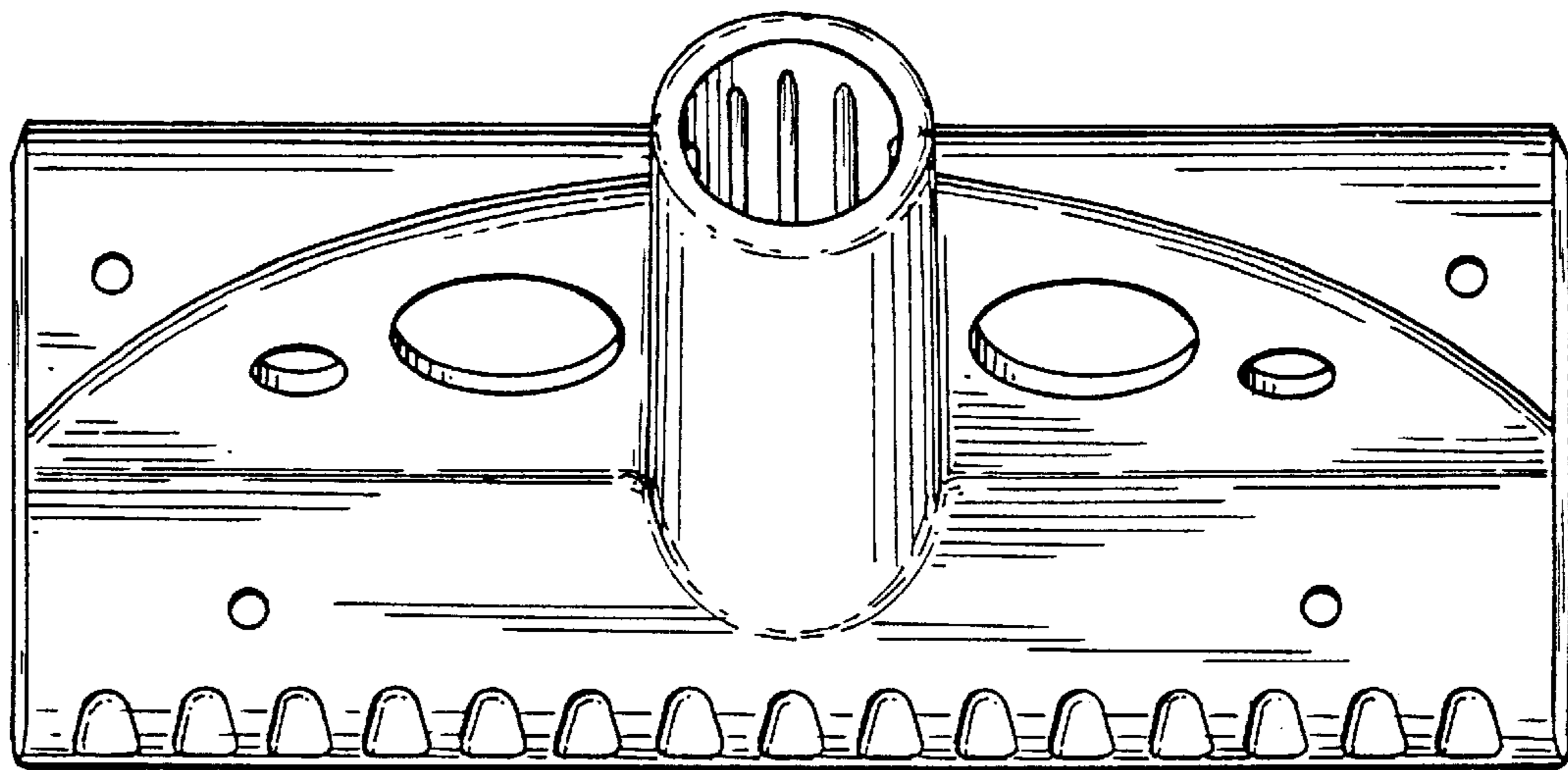


FIG. 4

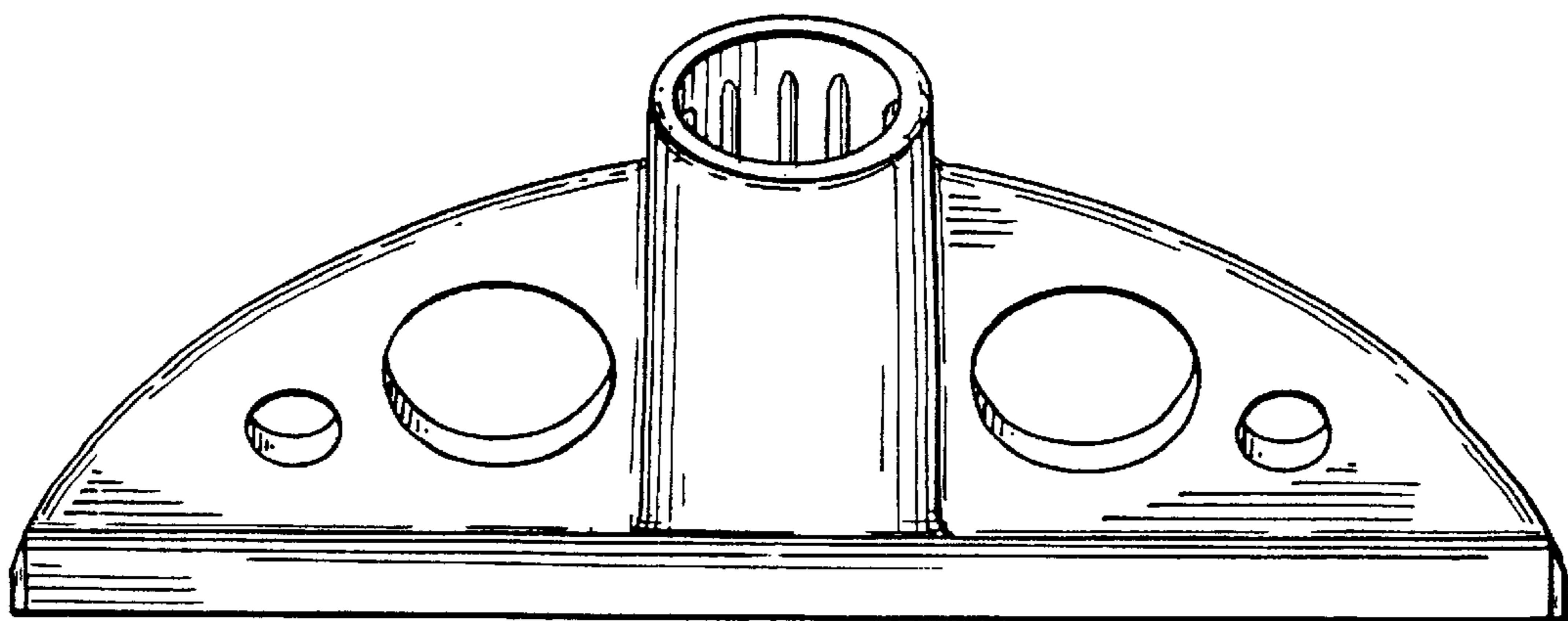


FIG. 5