



US00D435730S

(12) **United States Design Patent**
Akre

(10) **Patent No.:** **US D435,730 S**

(45) **Date of Patent:** **** Jan. 2, 2001**

(54) **COVER WITH A HOLE FOR A STORAGE BOX**

(76) **Inventor:** **Brian Akre**, 11841 243rd Ave. NW.,
Zimmerman, MN (US) 55398

(**) **Term:** **14 Years**

(21) **Appl. No.:** **29/103,755**

(22) **Filed:** **Apr. 21, 1999**

(51) **LOC (7) Cl.** **03-99**

(52) **U.S. Cl.** **D3/318**

(58) **Field of Search** D3/318, 302, 323,
D3/321, 288, 272-274, 294; D9/420, 424,
425, 423; 206/508, 509

(56) **References Cited**

U.S. PATENT DOCUMENTS

- D. 262,839 * 2/1982 Daenen et al. D3/318
- D. 363,663 * 10/1995 Plater D9/425
- D. 376,693 * 12/1996 Wolff D3/323
- D. 404,920 * 2/1999 Long et al. D3/318
- D. 406,463 * 3/1999 Rutledge D3/302

- D. 411,353 * 6/1999 Dickinson et al. D3/323
- D. 414,606 * 10/1999 Sun D3/302 X

* cited by examiner

Primary Examiner—Louis S. Zarfaz

Assistant Examiner—Catherine R. Oliver

(74) *Attorney, Agent, or Firm*—Hugh D. Jaeger

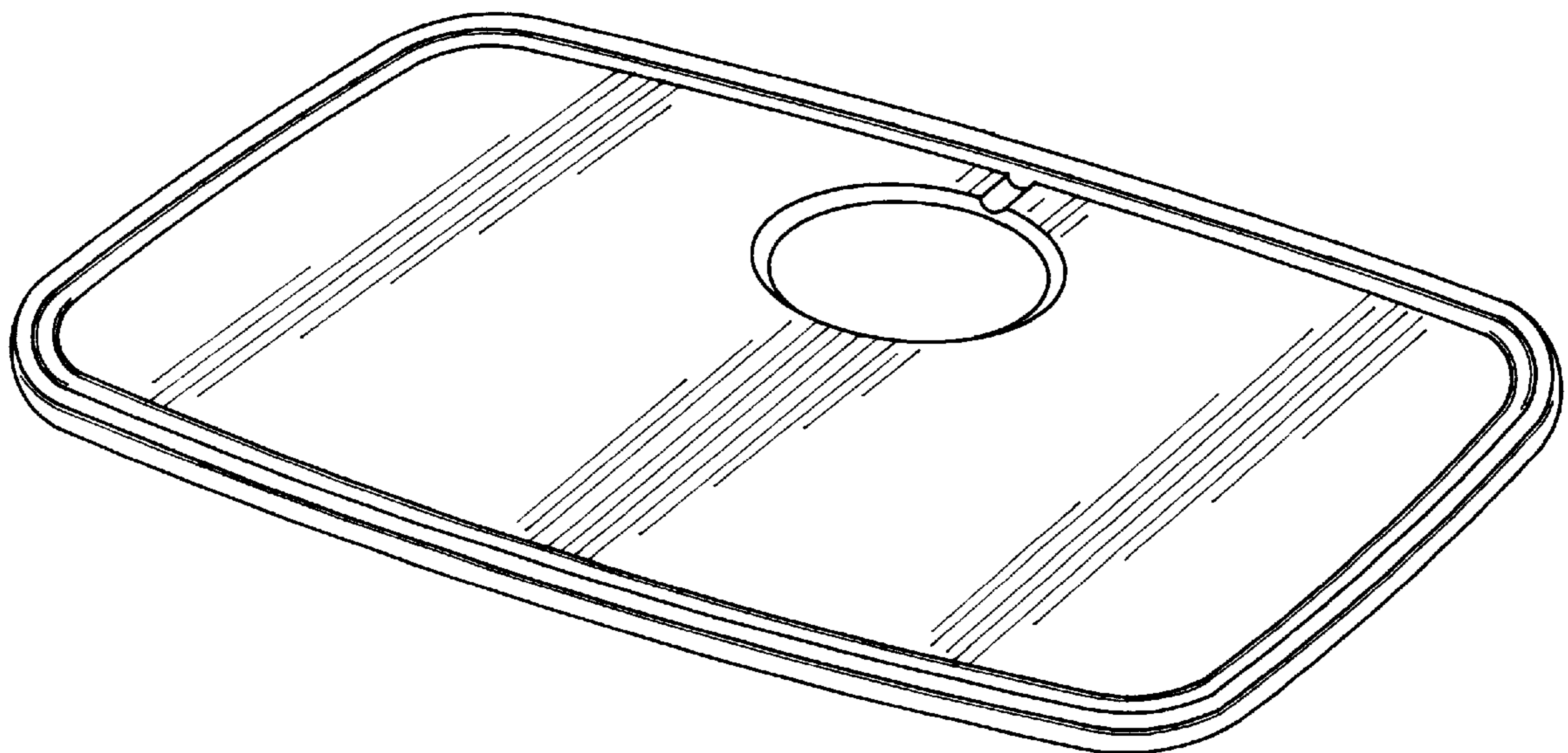
(57) **CLAIM**

The ornamental design for a cover with a hole for a storage box, as shown and described.

DESCRIPTION

FIG. 1 illustrates a front view thereof;
 FIG. 2 illustrates a rear view thereof;
 FIG. 3 illustrates a left side view thereof;
 FIG. 4 illustrates a right side view thereof; and,
 FIG. 5 illustrates a top view thereof;
 FIG. 6 illustrates a bottom view thereof;
 FIG. 7 illustrates a perspective view thereof; and,
 FIG. 8 illustrates a cross-sectional view along line 8—8 of FIG. 1.

1 Claim, 4 Drawing Sheets



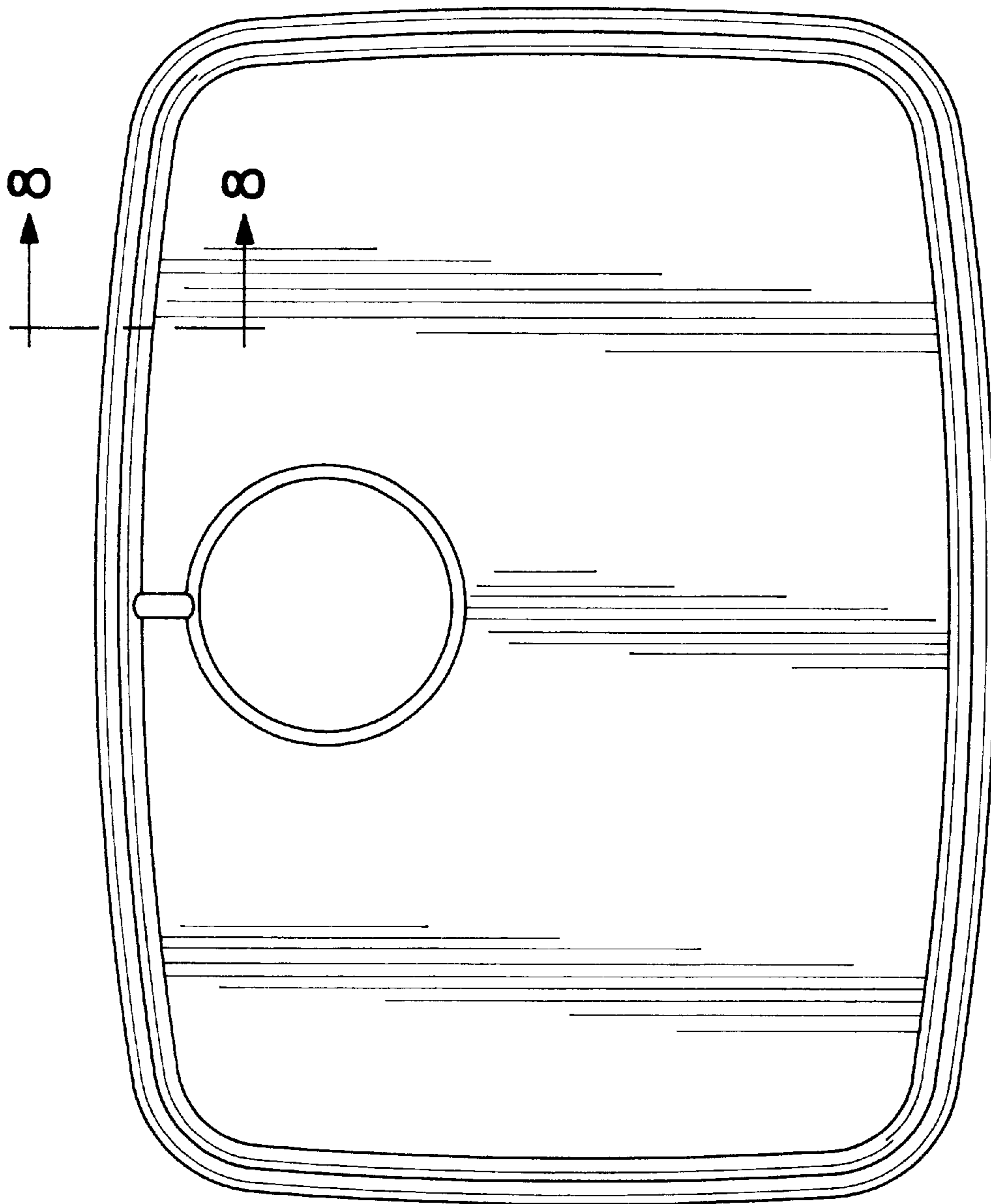


FIG. 1

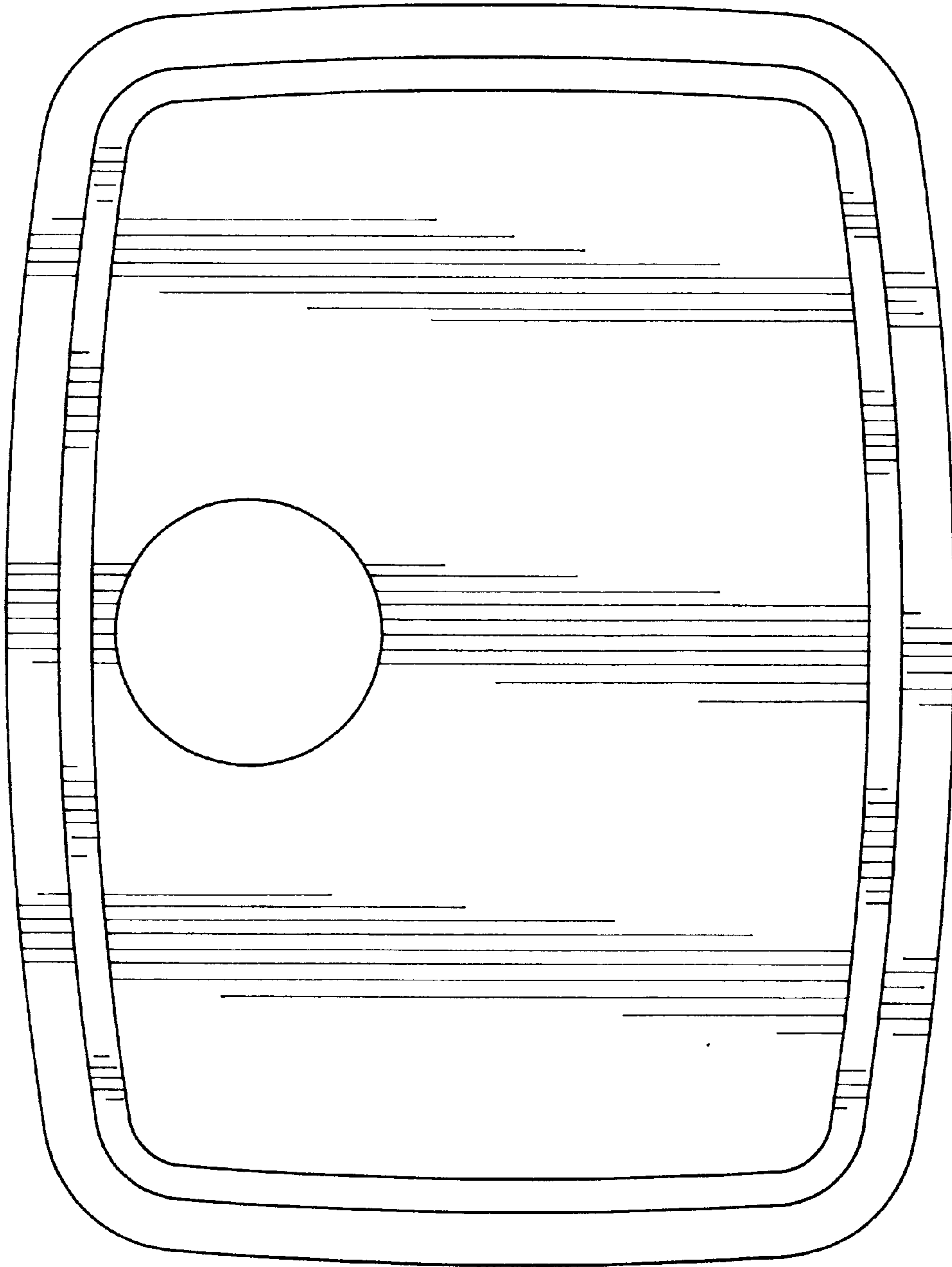


FIG. 2



FIG. 3



FIG. 4

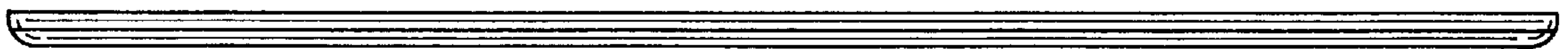


FIG. 5

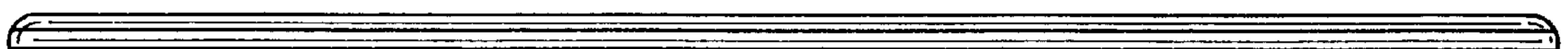


FIG. 6

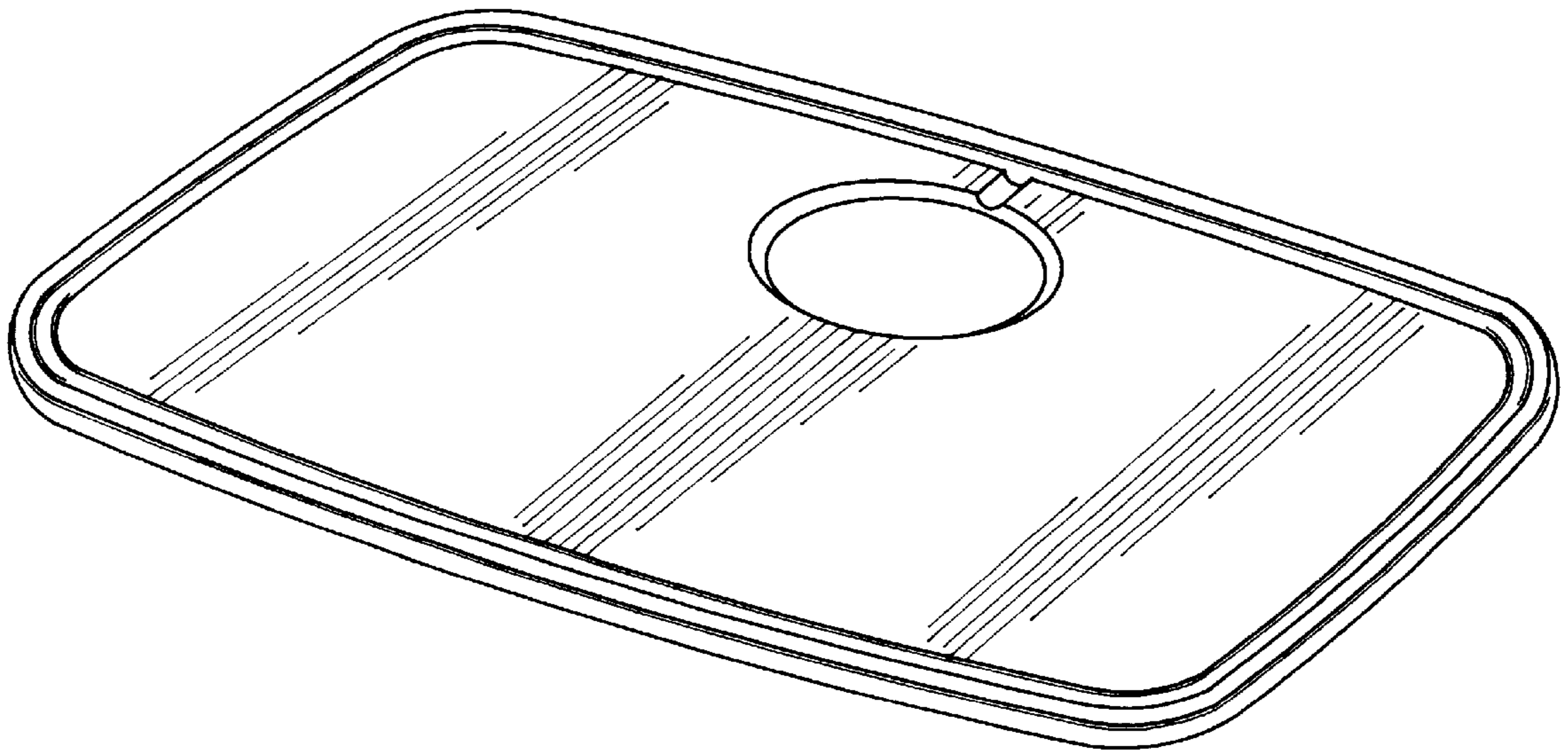


FIG. 7

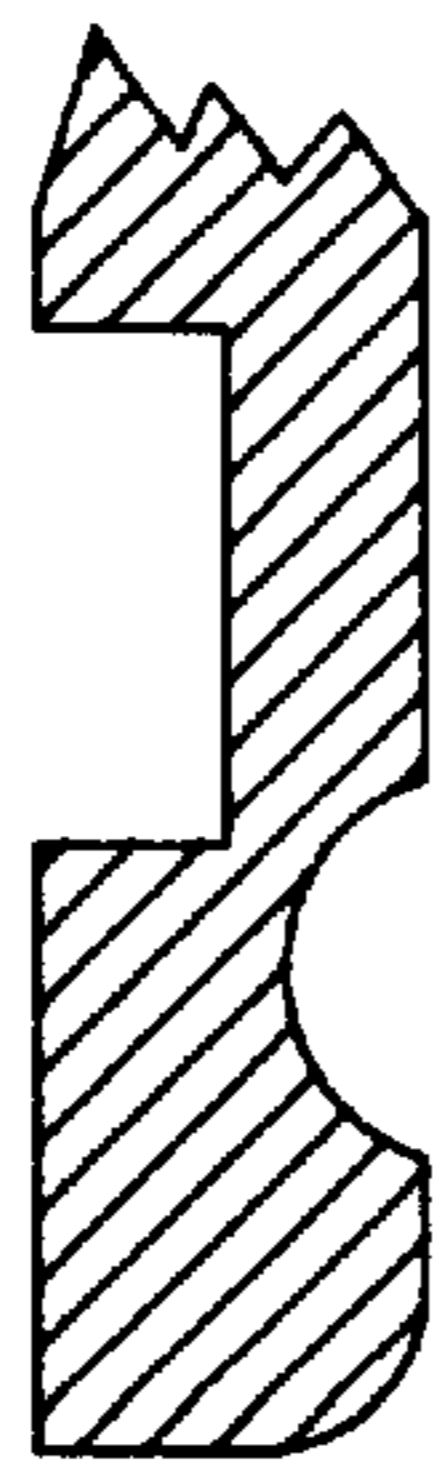


FIG. 8