



US00D435728S

(12) **United States Design Patent**
Miles et al.

(10) **Patent No.:** **US D435,728 S**

(45) **Date of Patent:** **** Jan. 2, 2001**

(54) **CONTAINER**

(75) **Inventors:** **Todd A. Miles**, Huntington Beach, CA (US); **Paul DaSilva**, Madison, WI (US); **Maureen Borland**, LaCanada, CA (US)

(73) **Assignee:** **Nestec S.A.**, Vevey (CH)

(**) **Term:** **14 Years**

(21) **Appl. No.:** **29/121,479**

(22) **Filed:** **Apr. 7, 2000**

(51) **LOC (7) Cl.** **03-01**

(52) **U.S. Cl.** **D3/304**

(58) **Field of Search** D3/304, 307, 308;
D9/428, 425, 432; D30/119, 121-133; 119/51.01,
51.04, 51.11-51.13; D6/524, 525, 553;
220/670, 671, 675; 206/509

(56) **References Cited**

U.S. PATENT DOCUMENTS

- D. 211,682 * 7/1968 Eicholtz D9/432
- D. 366,311 * 1/1996 Bonnell D30/129 X
- D. 397,526 * 8/1998 Sheaffer D30/119
- D. 402,466 * 12/1998 Werbesky, Jr. D3/304

- D. 419,808 * 2/2000 Hampshire D6/553
- D. 420,798 * 2/2000 Belokin et al. D3/304
- D. 421,692 * 3/2000 Wojtowicz et al. D6/525
- D. 424,298 * 5/2000 Laib D3/307
- 3,014,616 * 12/1961 Kavanaugh et al. 206/509

* cited by examiner

Primary Examiner—Louis S. Zarfes

Assistant Examiner—Catherine R. Oliver

(57) **CLAIM**

The ornamental design for a container, as shown and described.

DESCRIPTION

FIG. 1 is a perspective view of the container showing our new design;

FIG. 2 is a top plan view thereof;

FIG. 3 is a left side elevational view thereof;

FIG. 4 is a bottom plan view thereof;

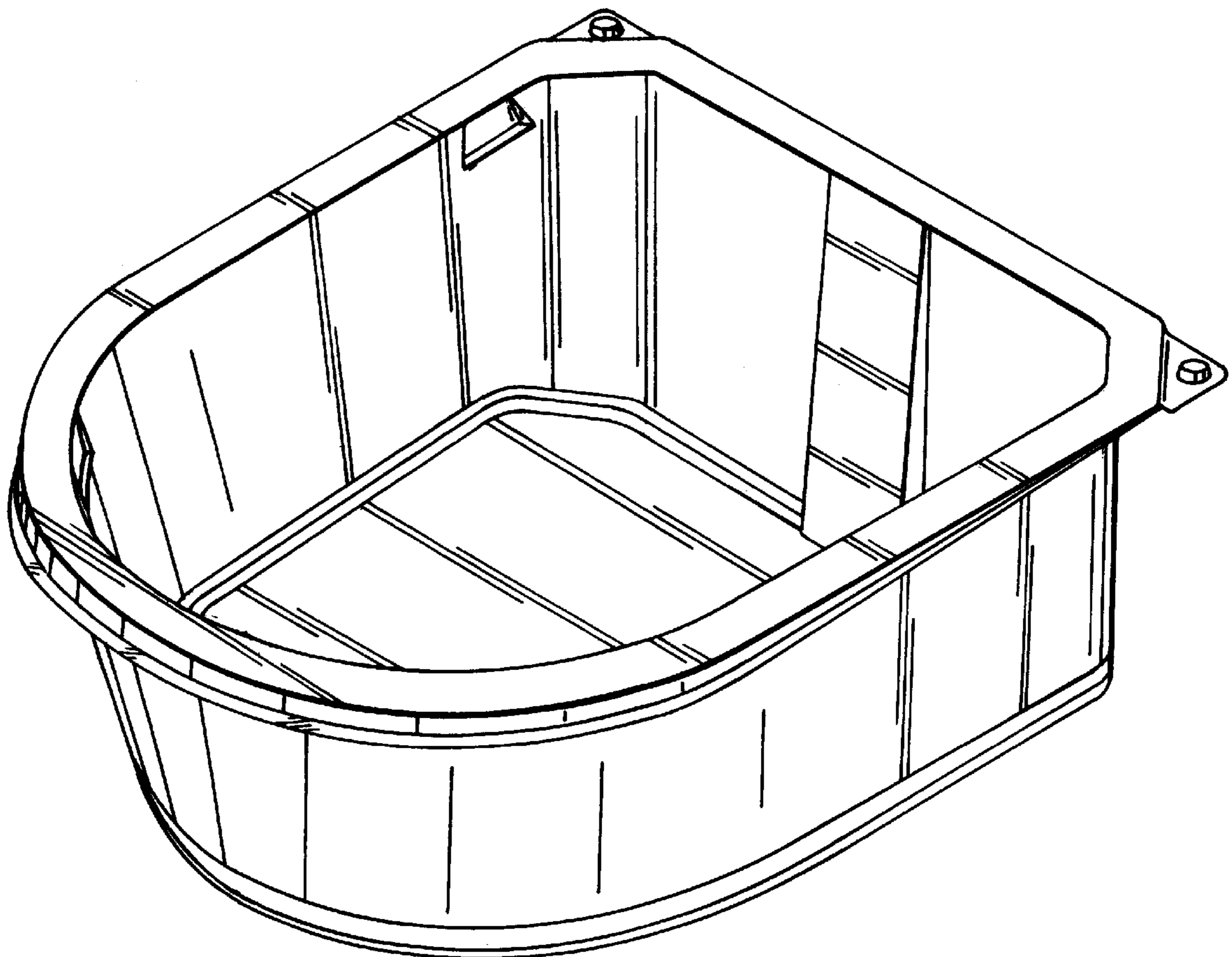
FIG. 5 is a right side elevational view thereof;

FIG. 6 is a front elevational view thereof;

FIG. 7 is a rear elevational view thereof; and,

FIG. 8 is an enlarged, partial sectional view thereof, taken along lines 8—8 of FIG. 6.

1 Claim, 4 Drawing Sheets



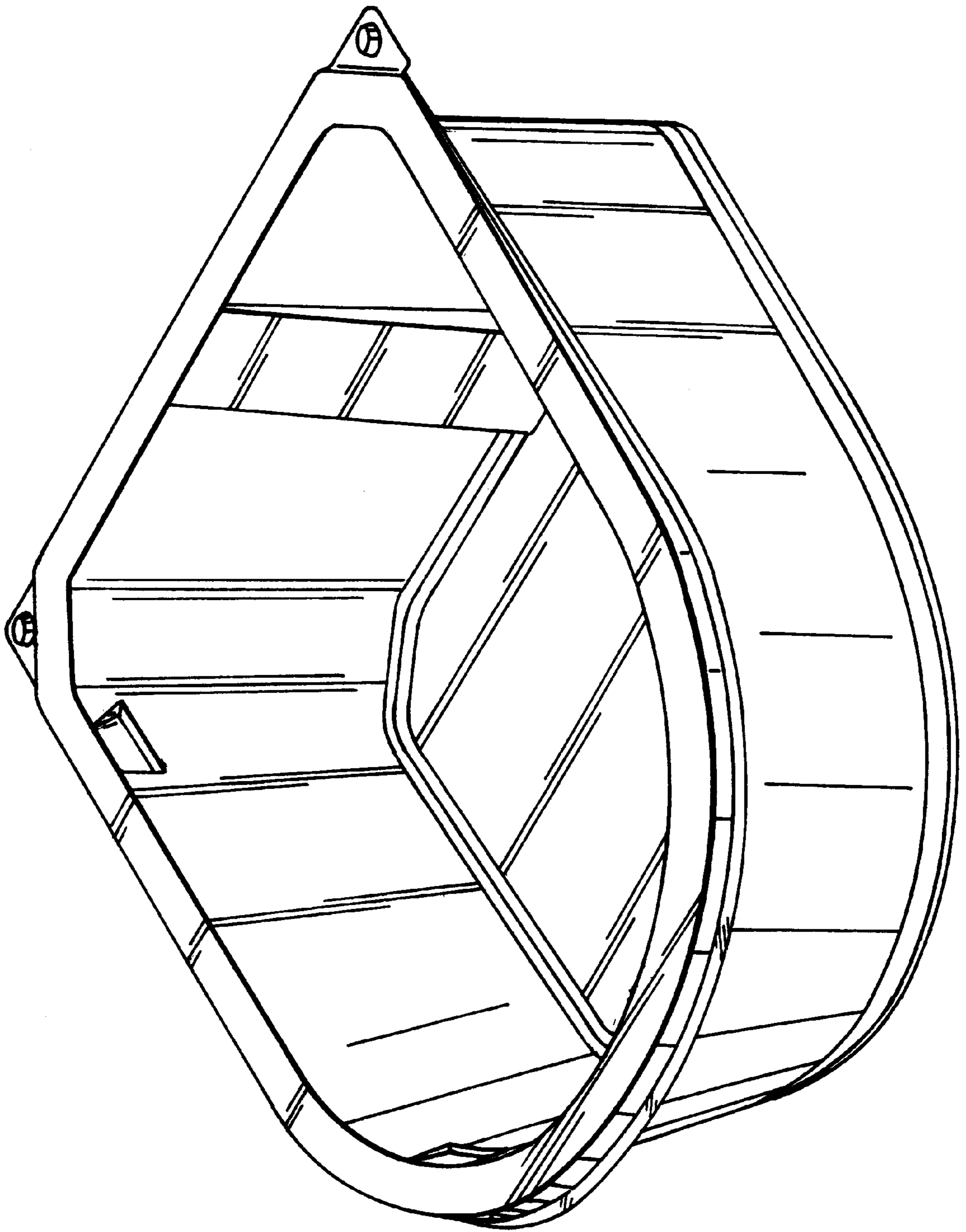


Fig. 1

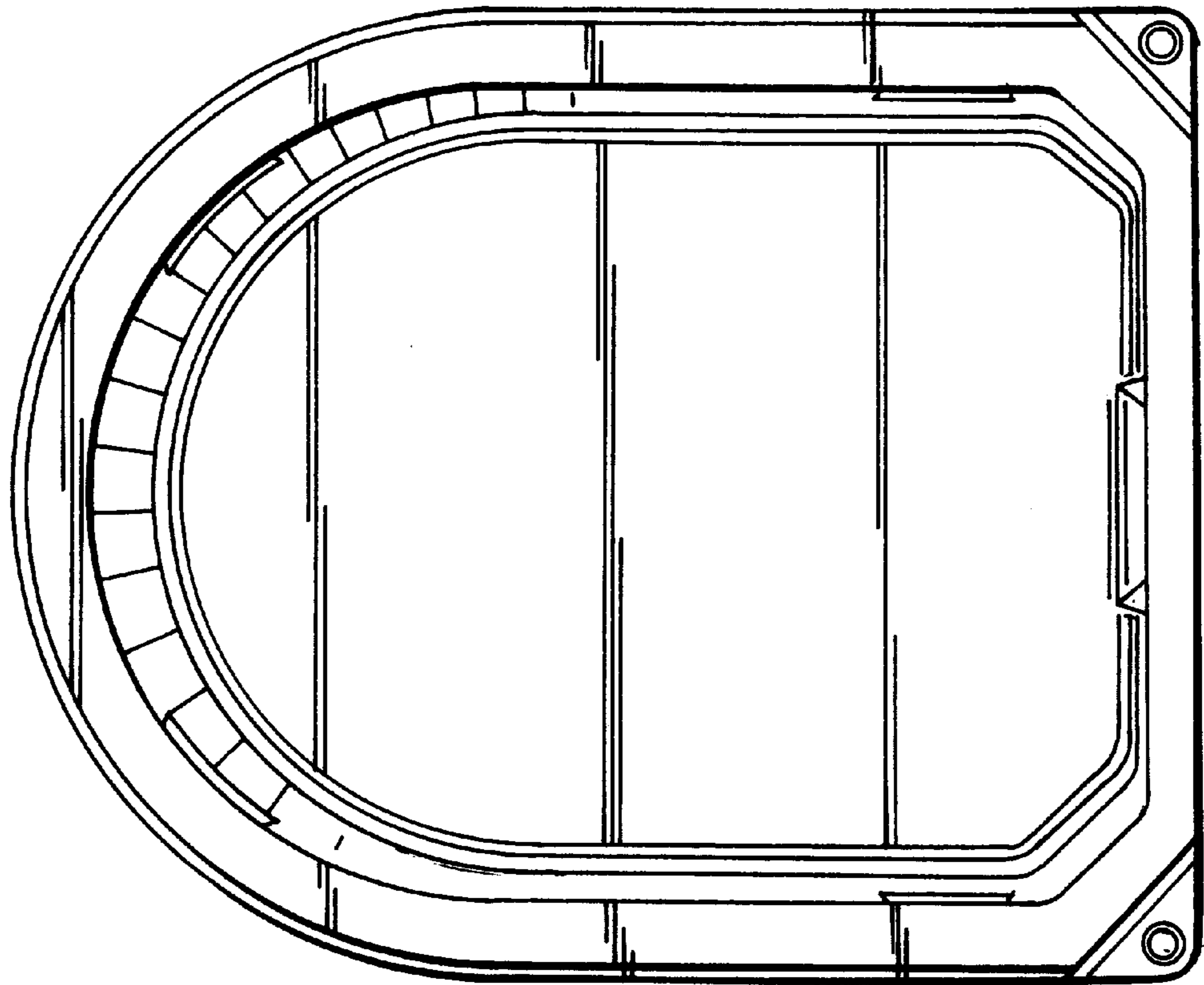


Fig. 2

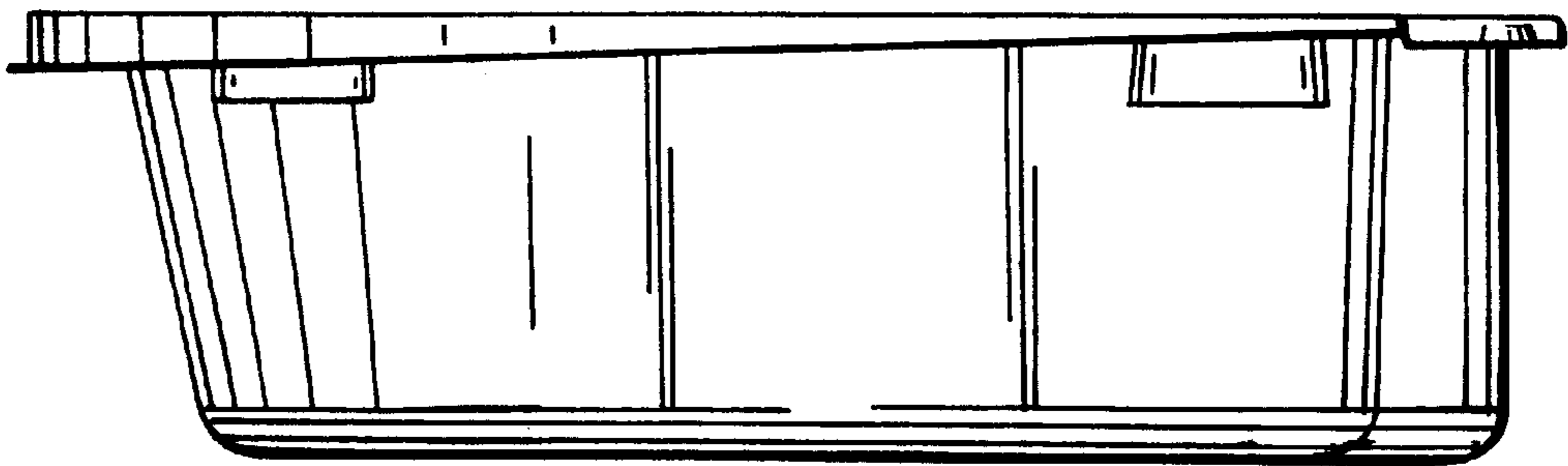


Fig. 3

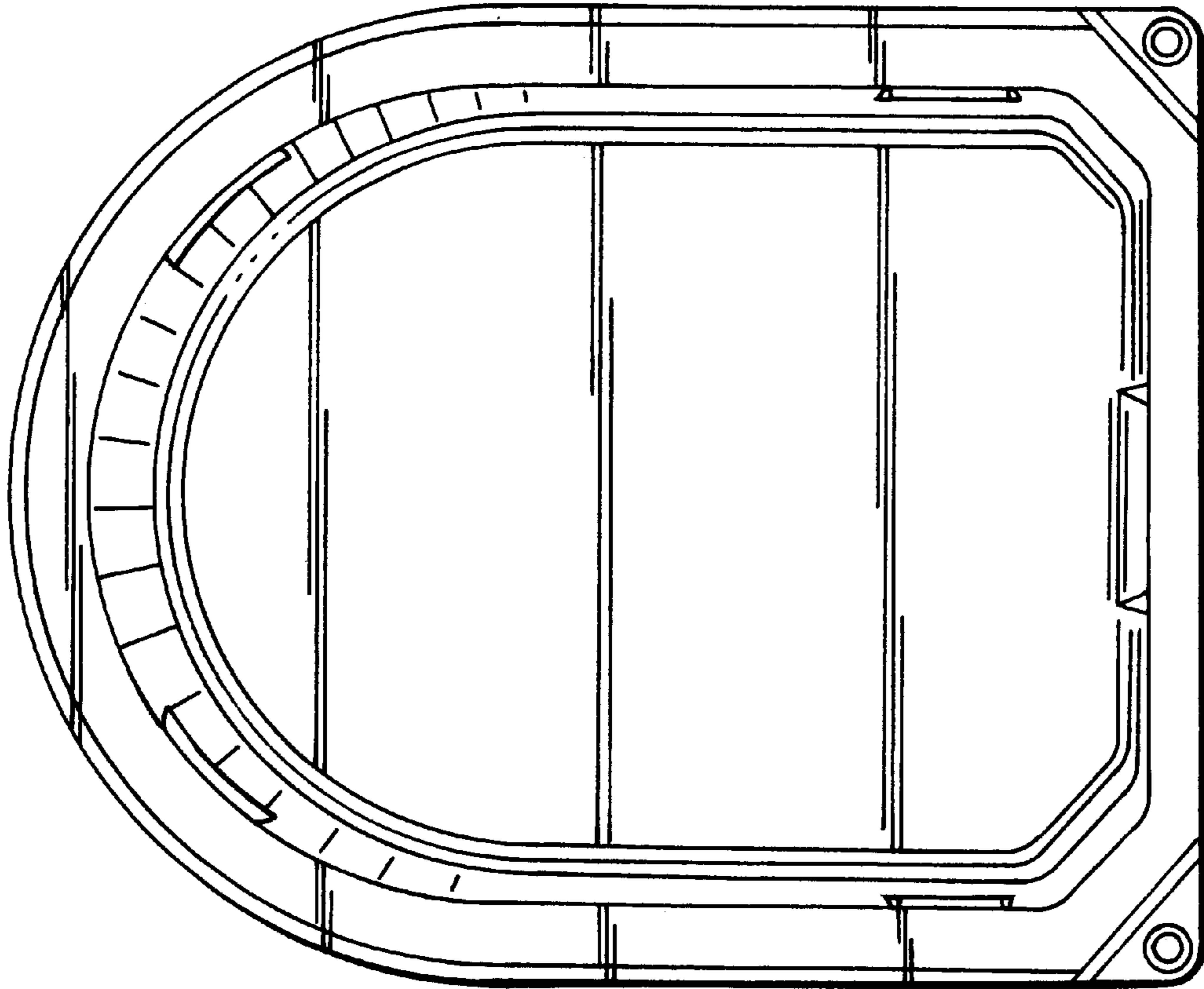


Fig. 4

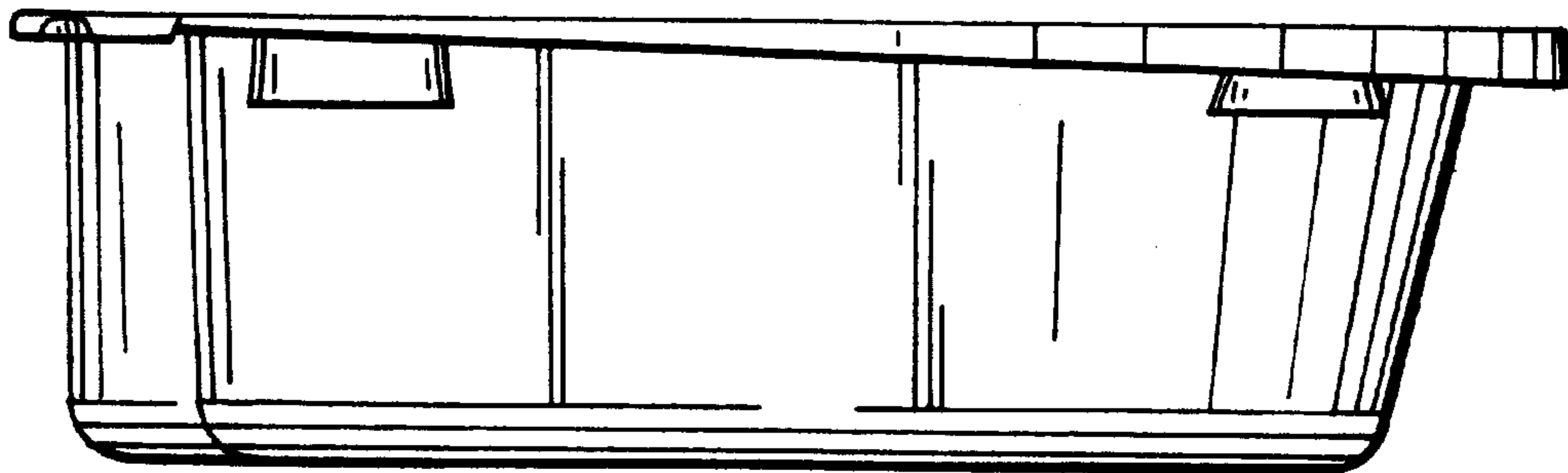


Fig. 5

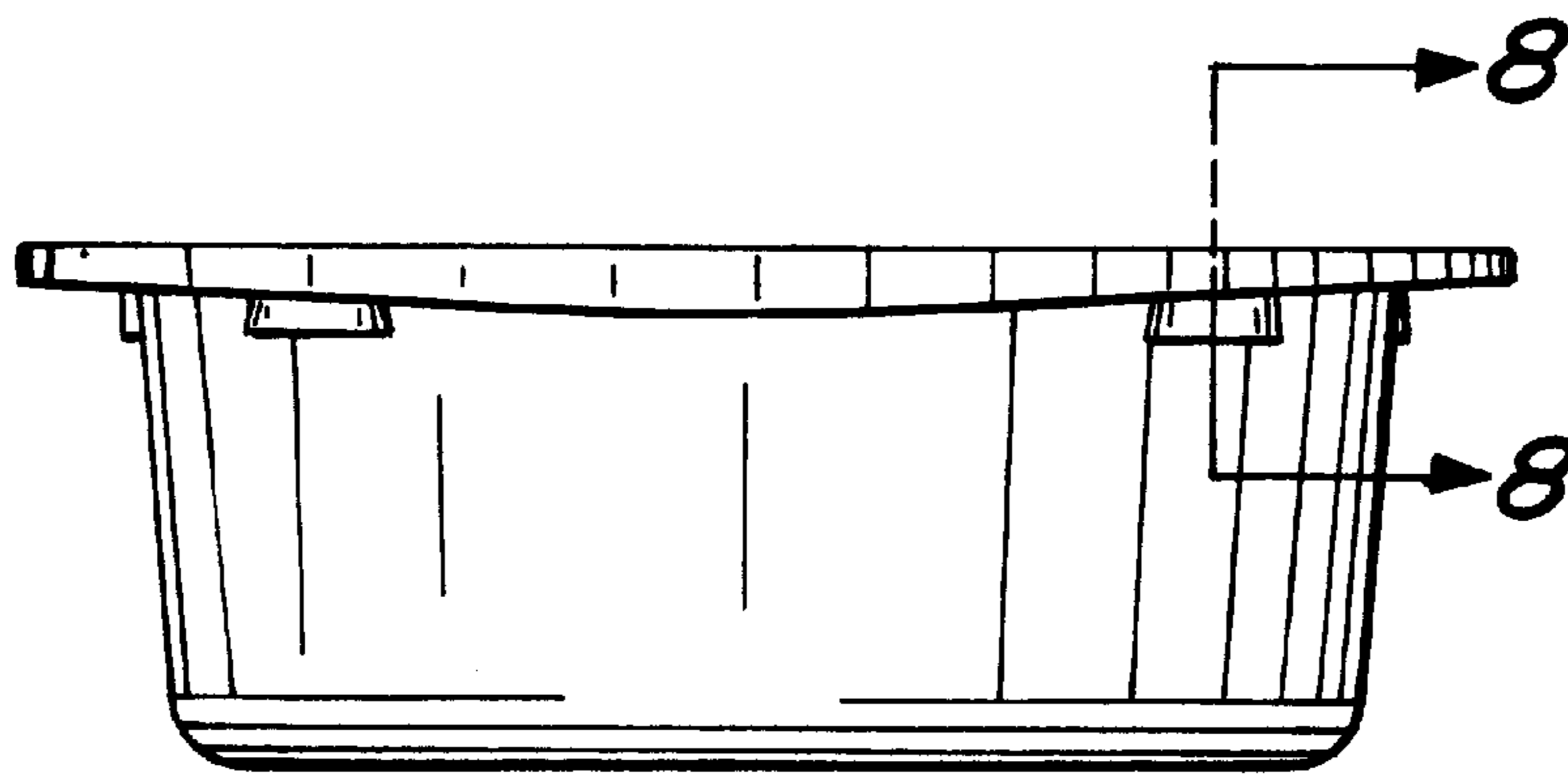


Fig. 6

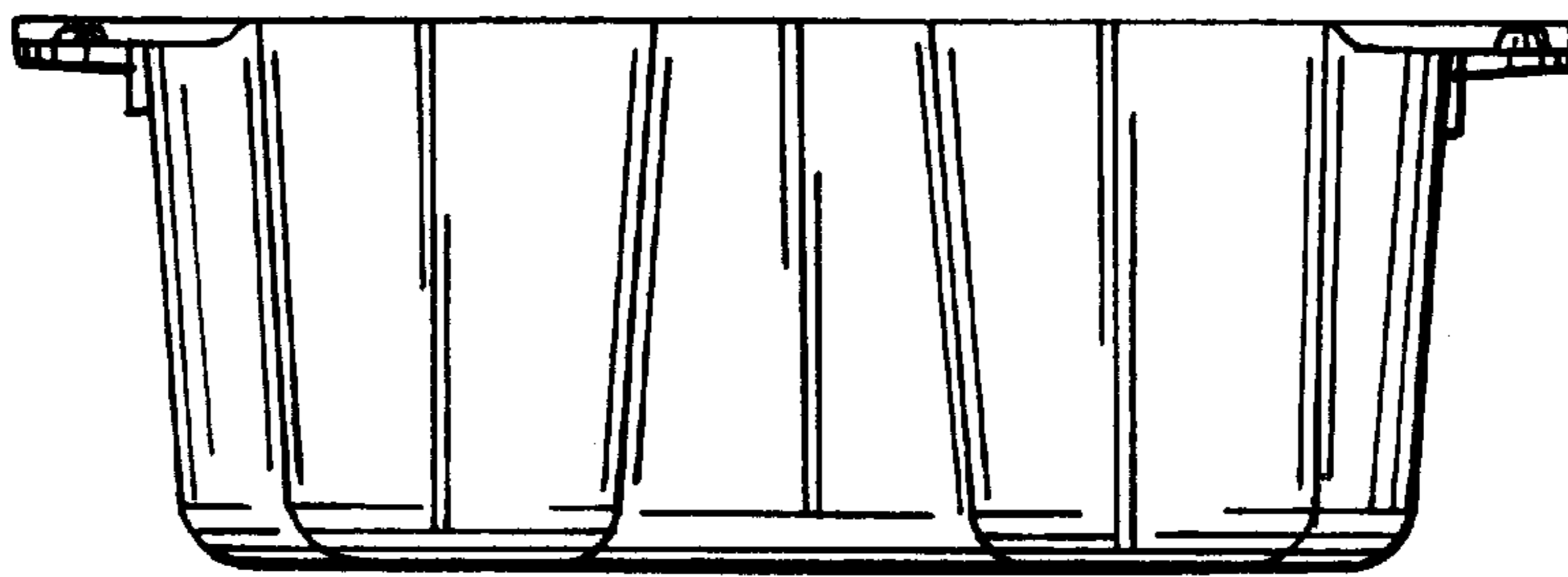


Fig. 7

Fig. 8

