



US00D435725S

(12) **United States Design Patent**
Budert

(10) **Patent No.:** **US D435,725 S**

(45) **Date of Patent:** **** Jan. 2, 2001**

(54) **TOOLBOX**

(75) Inventor: **Guenter H. Budert**, Bachhagel (DE)

(73) Assignee: **Drilbox Georg Knoblauch GmbH**,
Giengen (DE)

(**) Term: **14 Years**

(21) Appl. No.: **29/108,971**

(22) Filed: **Aug. 6, 1999**

(30) **Foreign Application Priority Data**

Mar. 5, 1999 (DE) 4 99 02 227

(51) **LOC (7) Cl.** **03-01**

(52) **U.S. Cl.** **D3/276; D3/292; D3/294;**
D3/905

(58) **Field of Search** **D3/273, 276, 281,**
D3/282, 294, 905; 206/349, 372, 373, 378;
190/110, 111, 112

(56) **References Cited**

U.S. PATENT DOCUMENTS

D. 237,021 * 9/1975 Chilewich D3/292

D. 255,182 * 6/1980 Workman D3/292
D. 272,776 * 2/1984 Pelavin et al. D3/292
D. 275,911 * 10/1984 Hasuike D3/292
D. 278,861 * 5/1985 Hasuike D3/292
D. 284,527 * 7/1986 Davis D3/292
D. 332,698 * 1/1993 Chauvin D3/292

* cited by examiner

Primary Examiner—Philip S. Hyder

(74) *Attorney, Agent, or Firm*—Welsh & Katz, Ltd.

(57) **CLAIM**

The ornamental design for a toolbox, as shown and described.

DESCRIPTION

FIG. 1 is a front top perspective view of the toolbox of the
subjection invention showing the top of the toolbox.

FIG. 2 is a side view of the toolbox of FIG. 1; and,

FIG. 3 is a rear view of the toolbox of FIG. 1.

The bottom of the toolbox does not form a part of the
claimed design.

1 Claim, 3 Drawing Sheets

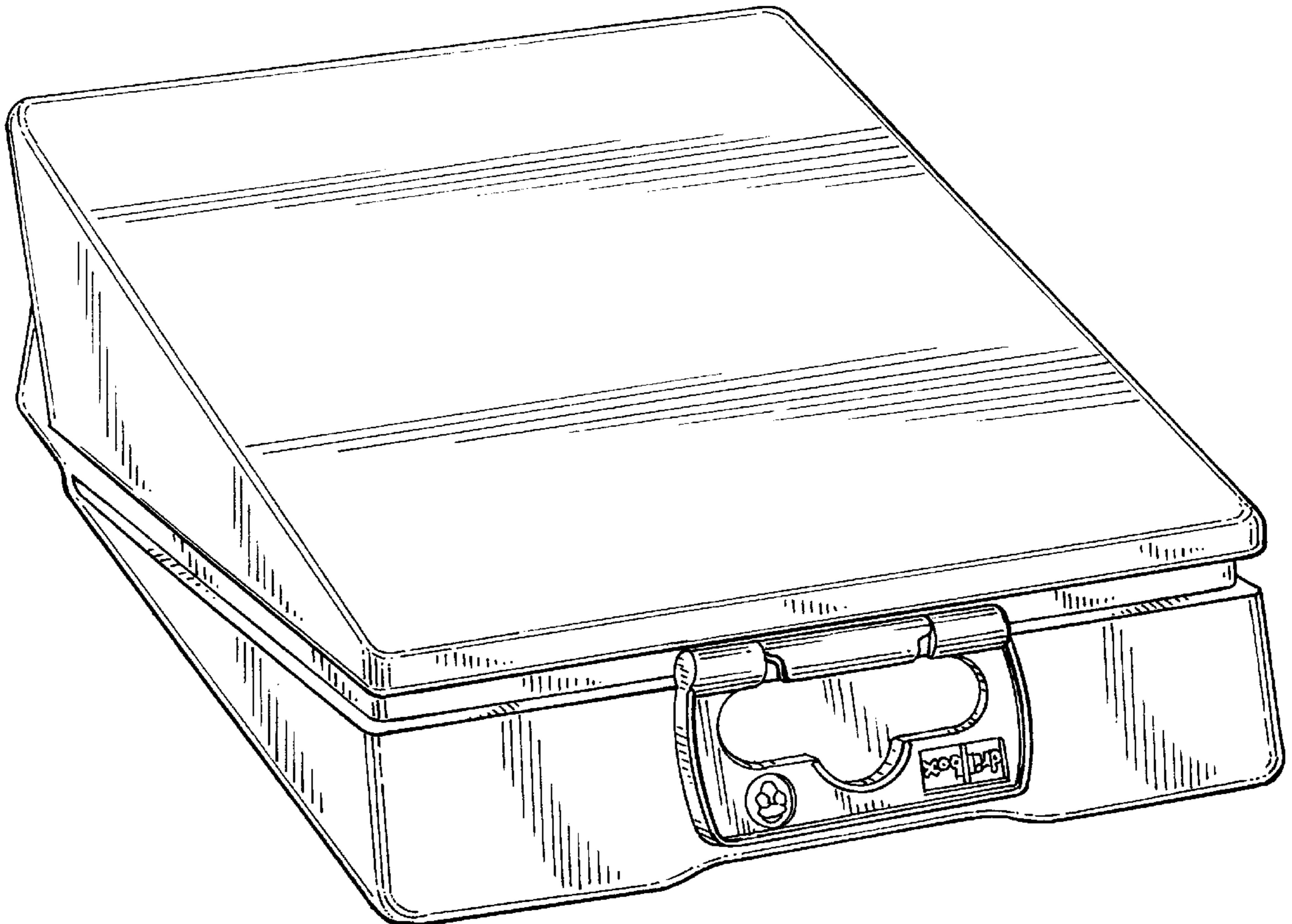


FIG. 1

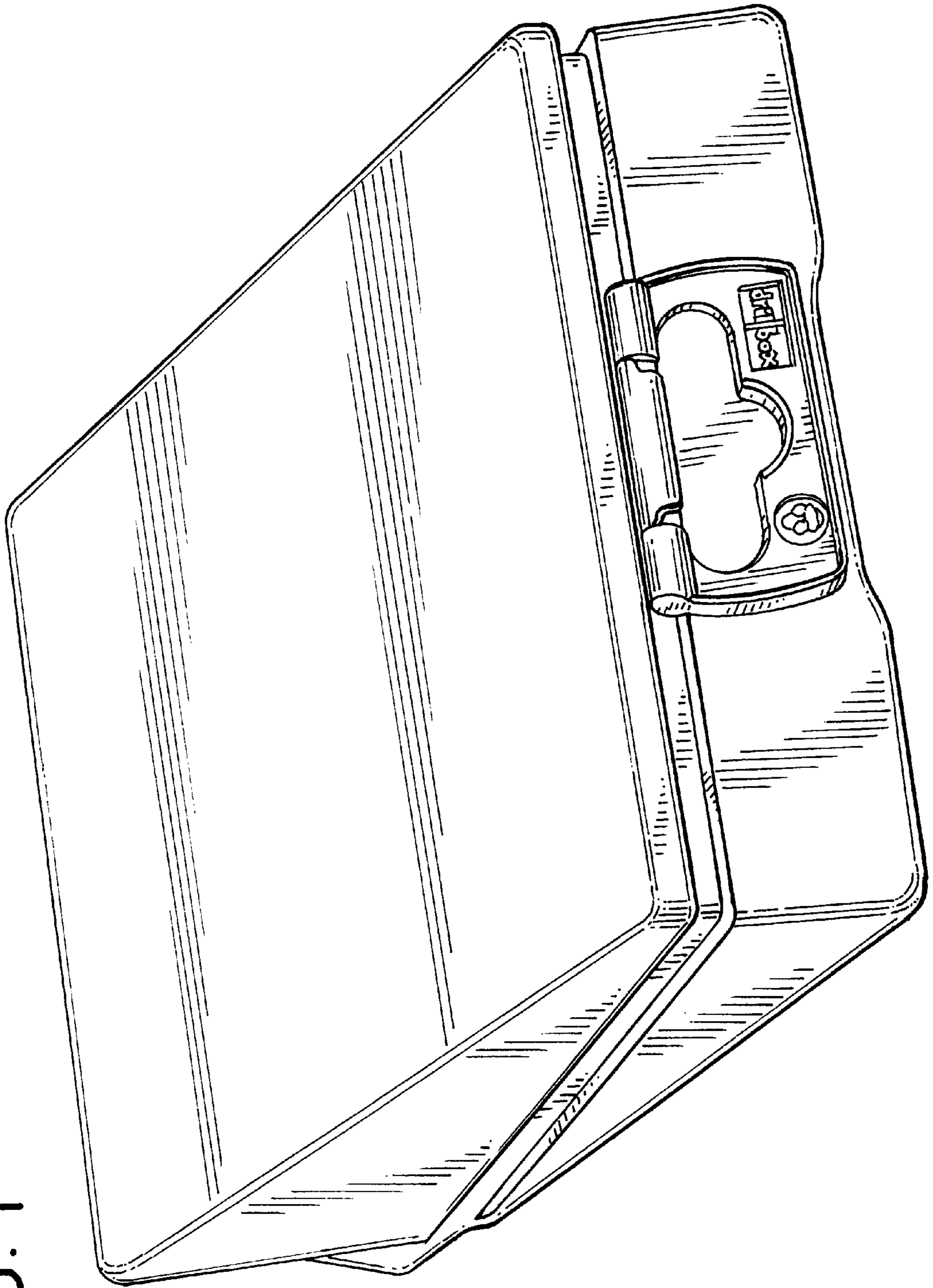


FIG. 2

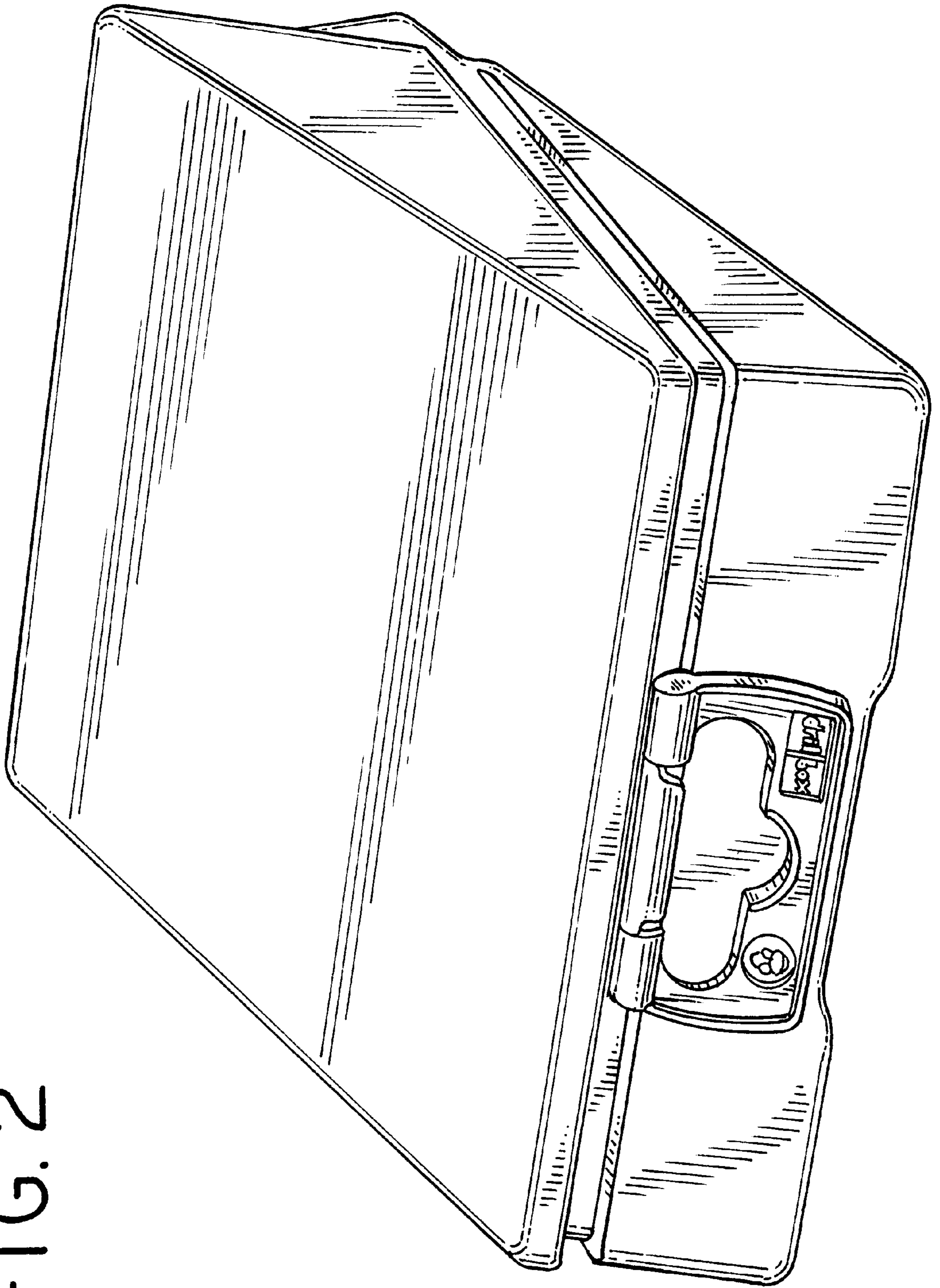


FIG. 3

