



US00D435724S

(12) **United States Design Patent**
Huang

(10) **Patent No.:** **US D435,724 S**

(45) **Date of Patent:** **** Jan. 2, 2001**

(54) **TOOLBOX**

(76) **Inventor:** **Chiu-Tien Huang**, No. 175, Guang-Fu East Rd., Pi-Tou Hsiang, Chang-Hua Hsien (TW)

(**) **Term:** **14 Years**

(21) **Appl. No.:** **29/118,070**

(22) **Filed:** **Feb. 3, 2000**

(51) **LOC (7) Cl.** **03-01**

(52) **U.S. Cl.** **D3/273; D3/905; D3/271; D10/113**

(58) **Field of Search** **D3/270, 271, 273, D3/274, 905; D10/113; 206/315.11, 372, 373, 349; 190/100**

(56) **References Cited**

U.S. PATENT DOCUMENTS

- D. 16,540 * 2/1886 Bruce D3/271
- D. 280,361 * 9/1985 Appel et al. D3/271

- D. 319,578 * 9/1991 Chen D3/905
- D. 394,156 * 5/1998 Melanson D3/271
- D. 400,814 * 11/1998 Sheng D10/113
- 4,452,003 * 6/1984 Deutsch et al. 206/315.11

* cited by examiner

Primary Examiner—Raphael Barkai

(74) *Attorney, Agent, or Firm*—Charles E. Baxley

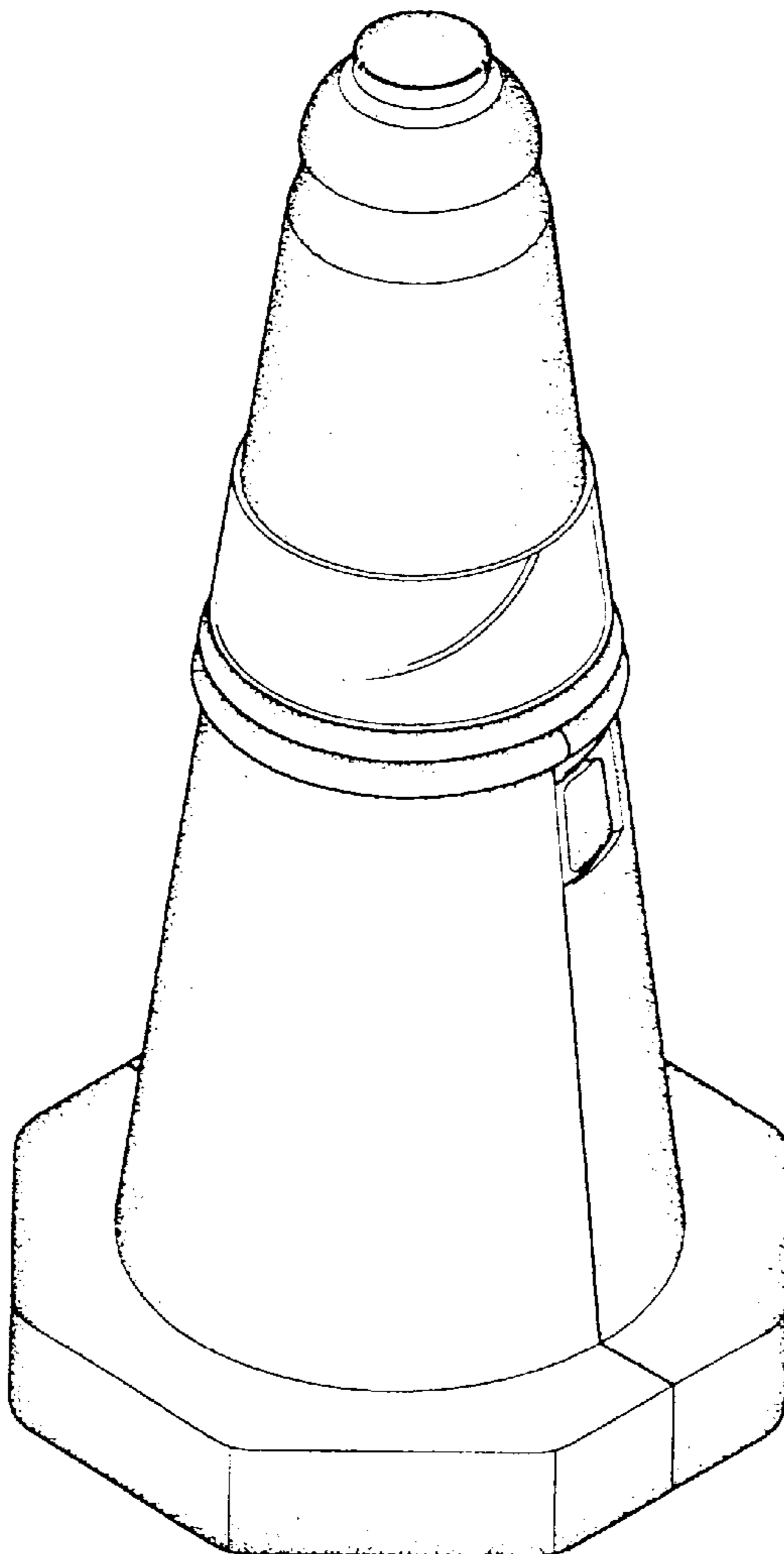
(57) **CLAIM**

The ornamental design for a toolbox, as shown and described.

DESCRIPTION

FIG. 1 is a front elevational view of a toolbox showing my new design;
 FIG. 2 is a rear elevational view thereof;
 FIG. 3 is a left/right side elevational view thereof;
 FIG. 4 is a top plan view thereof;
 FIG. 5 is a down plan view thereof; and,
 FIG. 6 is a perspective view thereof.

1 Claim, 5 Drawing Sheets



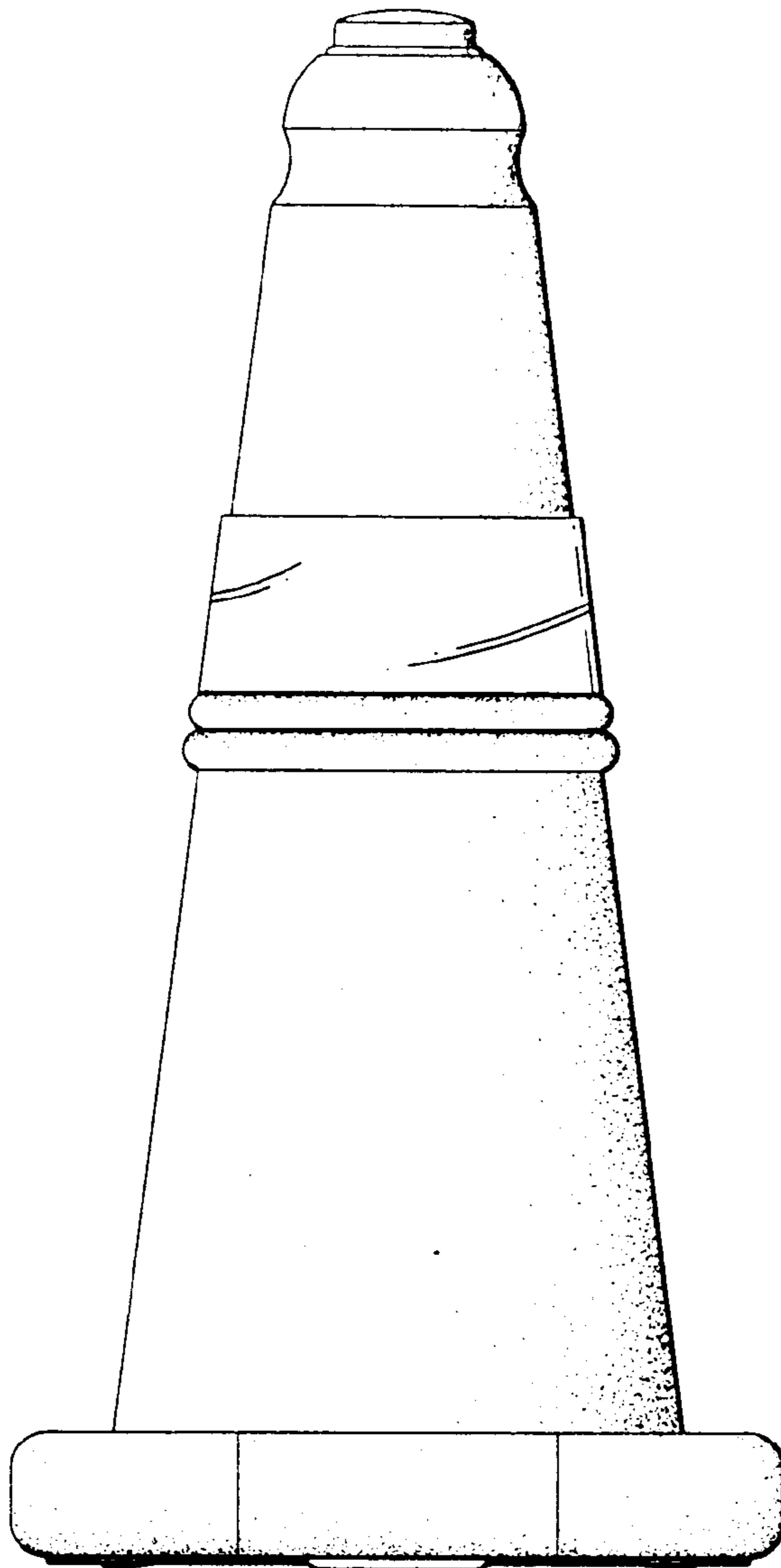


FIG. 1

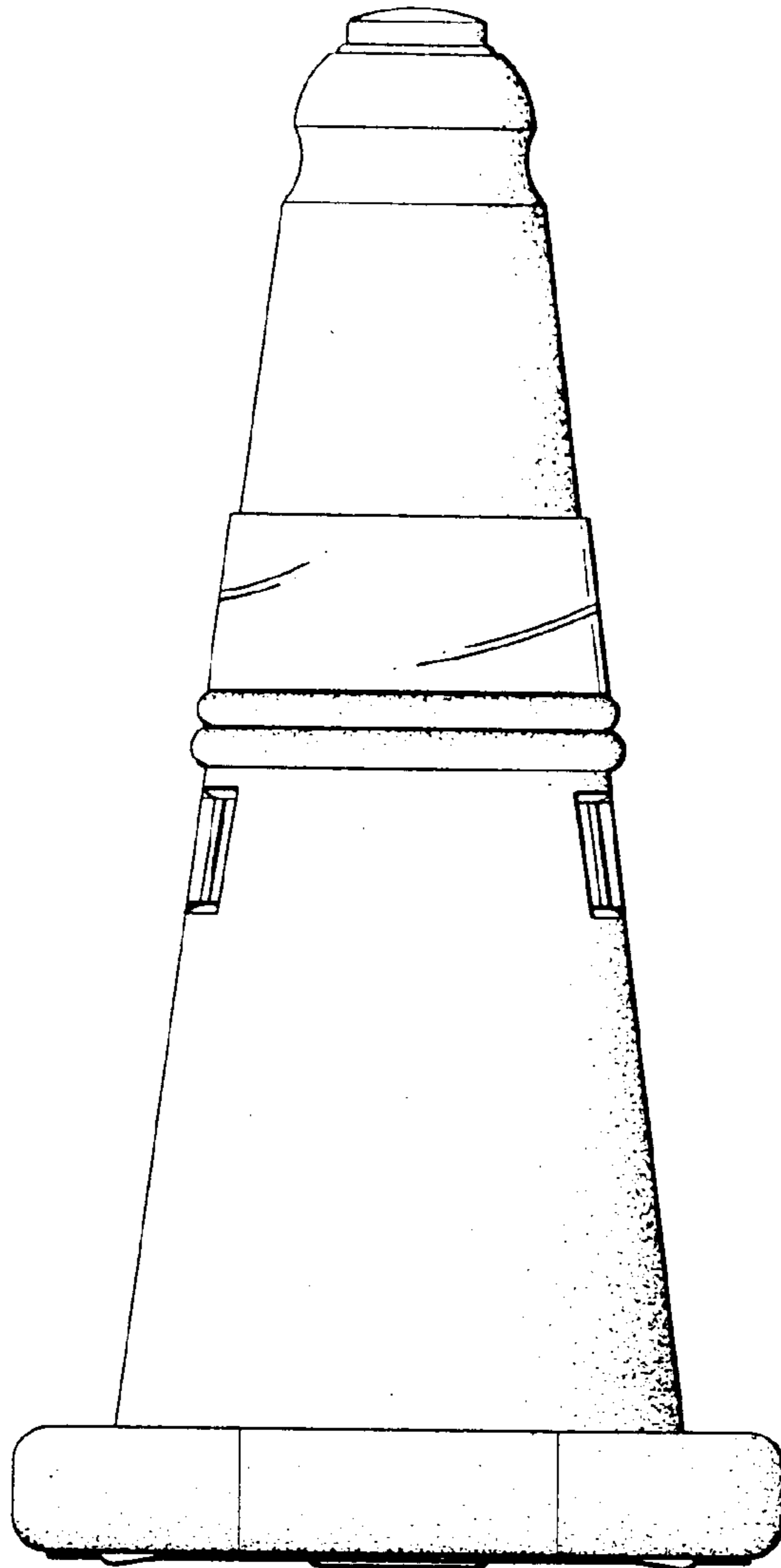


FIG. 2

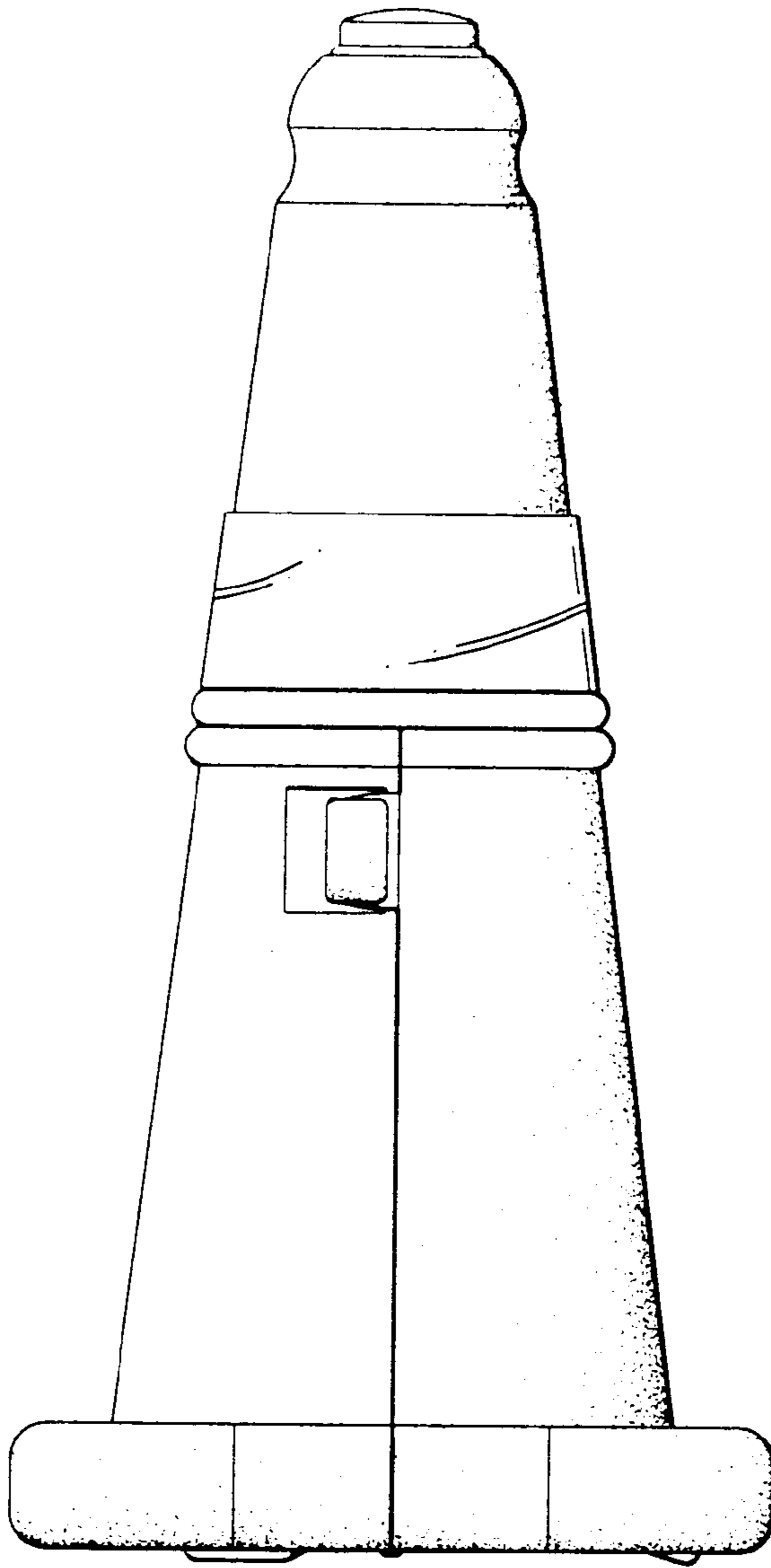


FIG. 3

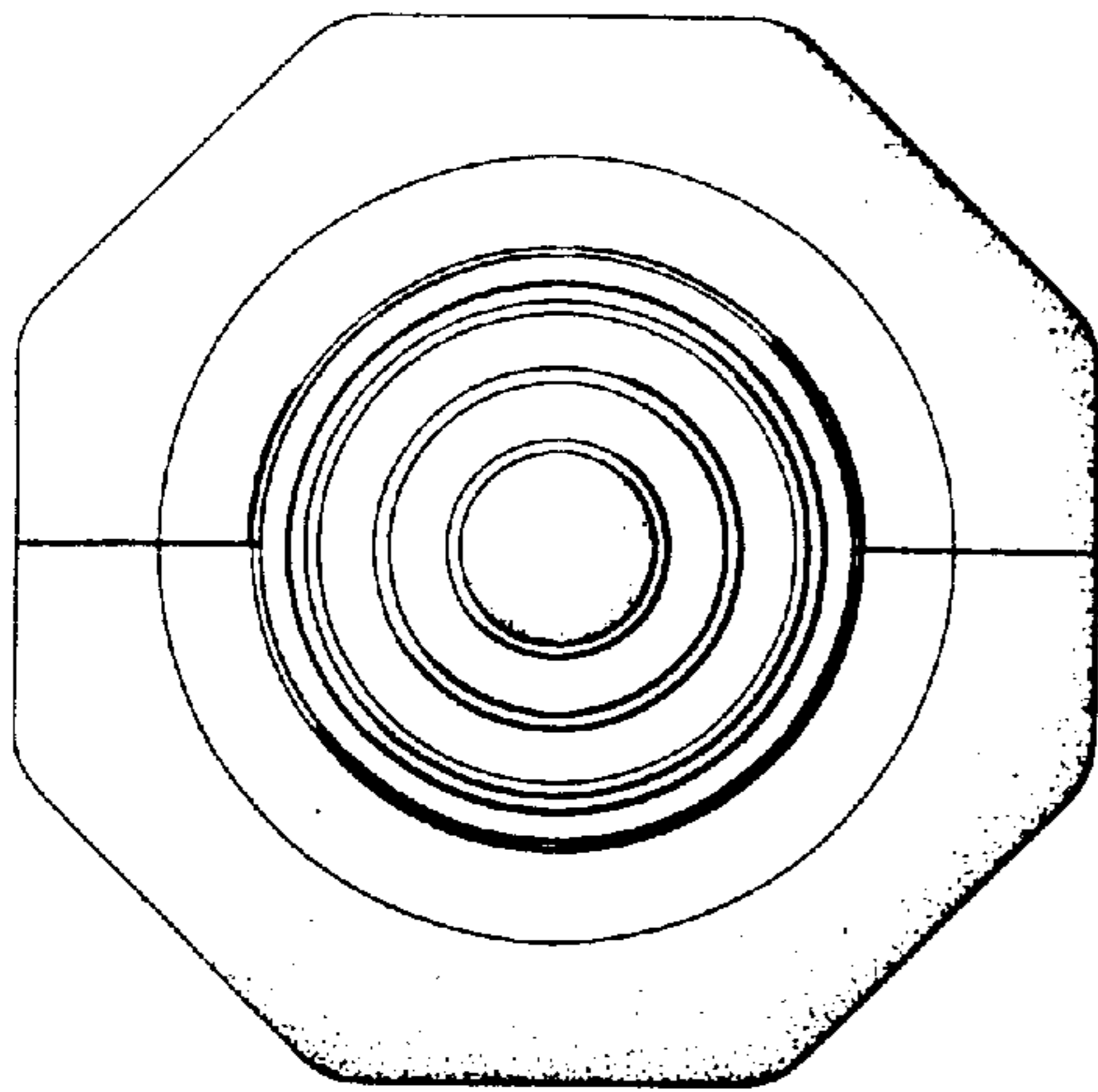


FIG. 4

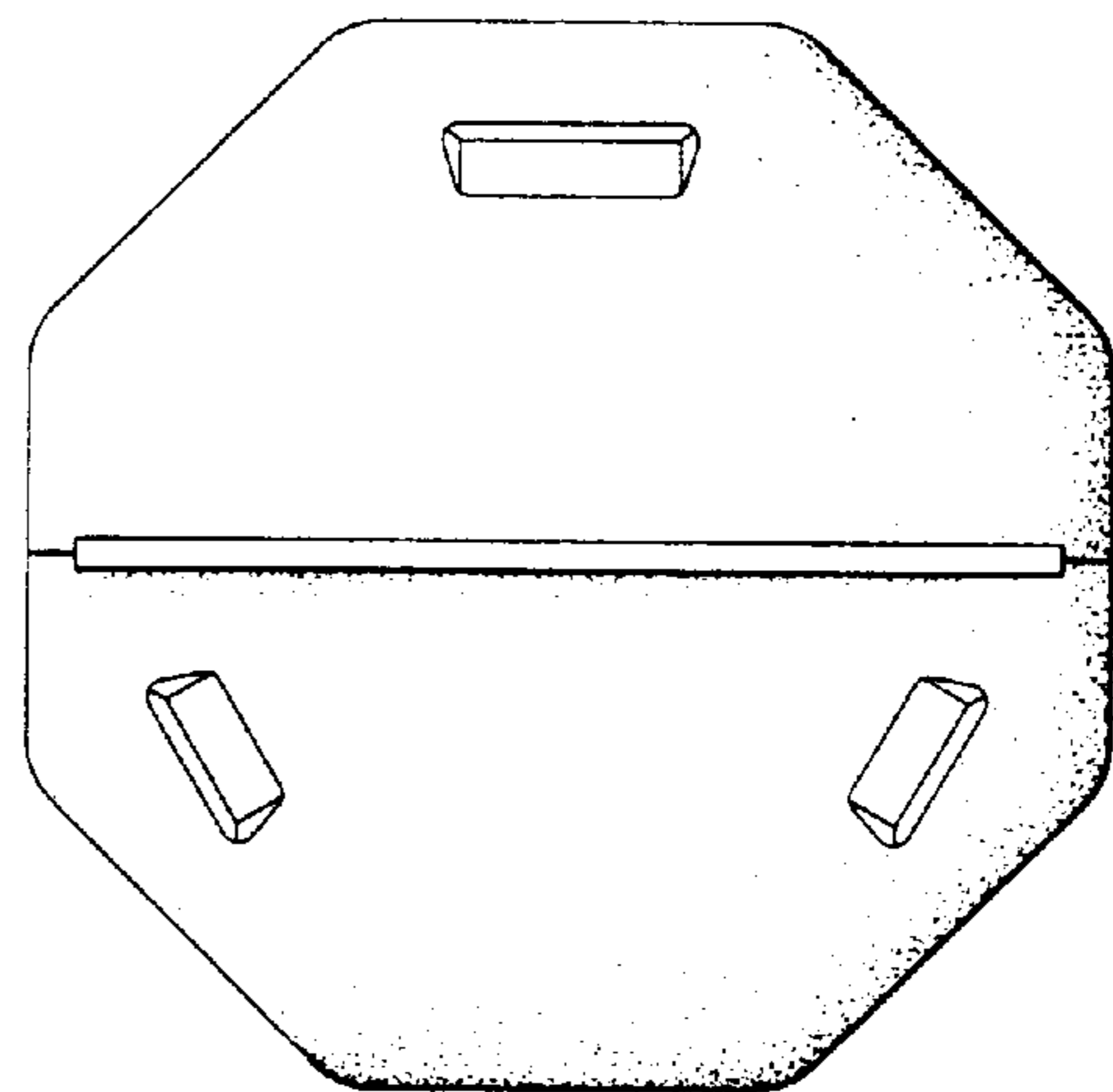


FIG. 5

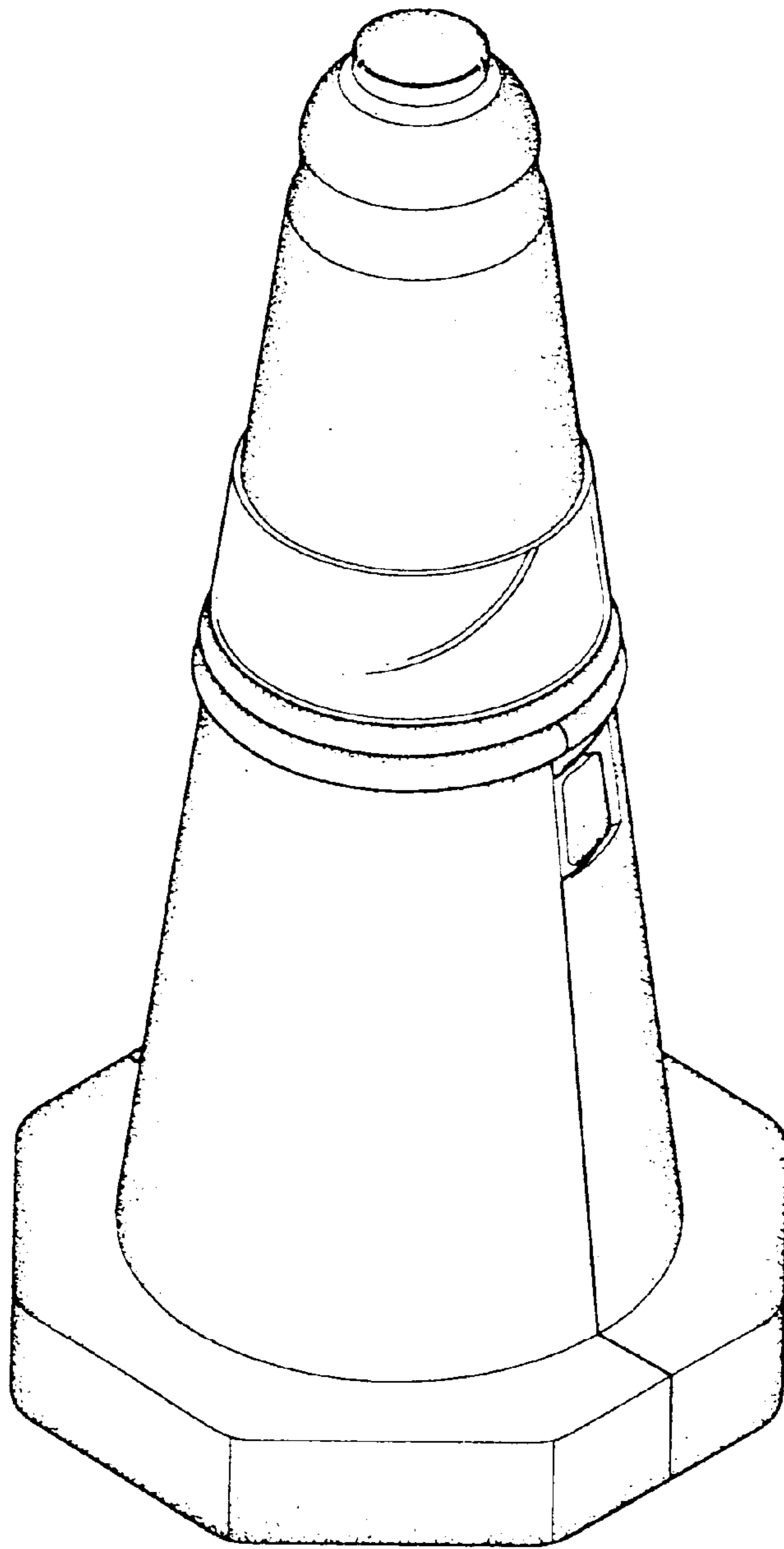


FIG.6