



US00D435719S

(12) **United States Design Patent**  
**Zebe, Jr.**

(10) **Patent No.:** **US D435,719 S**

(45) **Date of Patent:** **\*\* Jan. 2, 2001**

(54) **SANDAL CLOSURE DEVICE**

(76) **Inventor:** **Charles W. Zebe, Jr.**, 201 Glen Brook Pl., Hightstown, NJ (US) 08520

(\*\*) **Term:** **14 Years**

(21) **Appl. No.:** **29/110,618**

(22) **Filed:** **Sep. 3, 1999**

(51) **LOC (7) Cl.** ..... **02-99**

(52) **U.S. Cl.** ..... **D2/978**

(58) **Field of Search** ..... D2/972, 973, 978;  
D3/243; D11/231; 24/712, 712.2, 712.4,  
712.7, 134 P, 134 R; 36/50.1

(56) **References Cited**

**U.S. PATENT DOCUMENTS**

56,806	*	7/1866	Scripture	24/712.7
105,236	*	7/1870	O'Hara	24/712.7
D. 373,464	*	9/1996	Hnarakis	D2/978
D. 375,831	*	11/1996	Perry	D2/978
D. 377,114	*	1/1997	Crowley et al.	D2/978
D. 405,601	*	2/1999	Zebe, Jr.	D2/978
D. 405,602	*	2/1999	Zebe, Jr.	D2/978
D. 422,530	*	4/2000	Zebe, Jr.	D11/231
D. 426,952	*	6/2000	Zebe, Jr.	D3/243

779,710	*	1/1905	Henderson	24/712.2
908,704	*	1/1909	Sprinkle	24/712.1
1,116,142	*	11/1914	Slocum	24/712.2
1,137,381	*	4/1915	Burket	24/712.4
1,530,713	*	3/1925	Clark	24/712.1
1,544,225	*	6/1925	De Arros	24/712.7
2,254,579	*	9/1941	Okie	24/712.1
4,899,423	*	2/1990	Randall	24/134 R
4,956,897	*	9/1990	Speedie	24/134 P
5,996,256	*	12/1999	Zebe, Jr.	36/50.1

\* cited by examiner

*Primary Examiner*—Dominic Simone

(74) *Attorney, Agent, or Firm*—Sperry, Zoda & Kane

(57) **CLAIM**

The ornamental design for a sandal closure device, as shown.

**DESCRIPTION**

FIG. 1 is a front three-quarter perspective view embodying my new design;

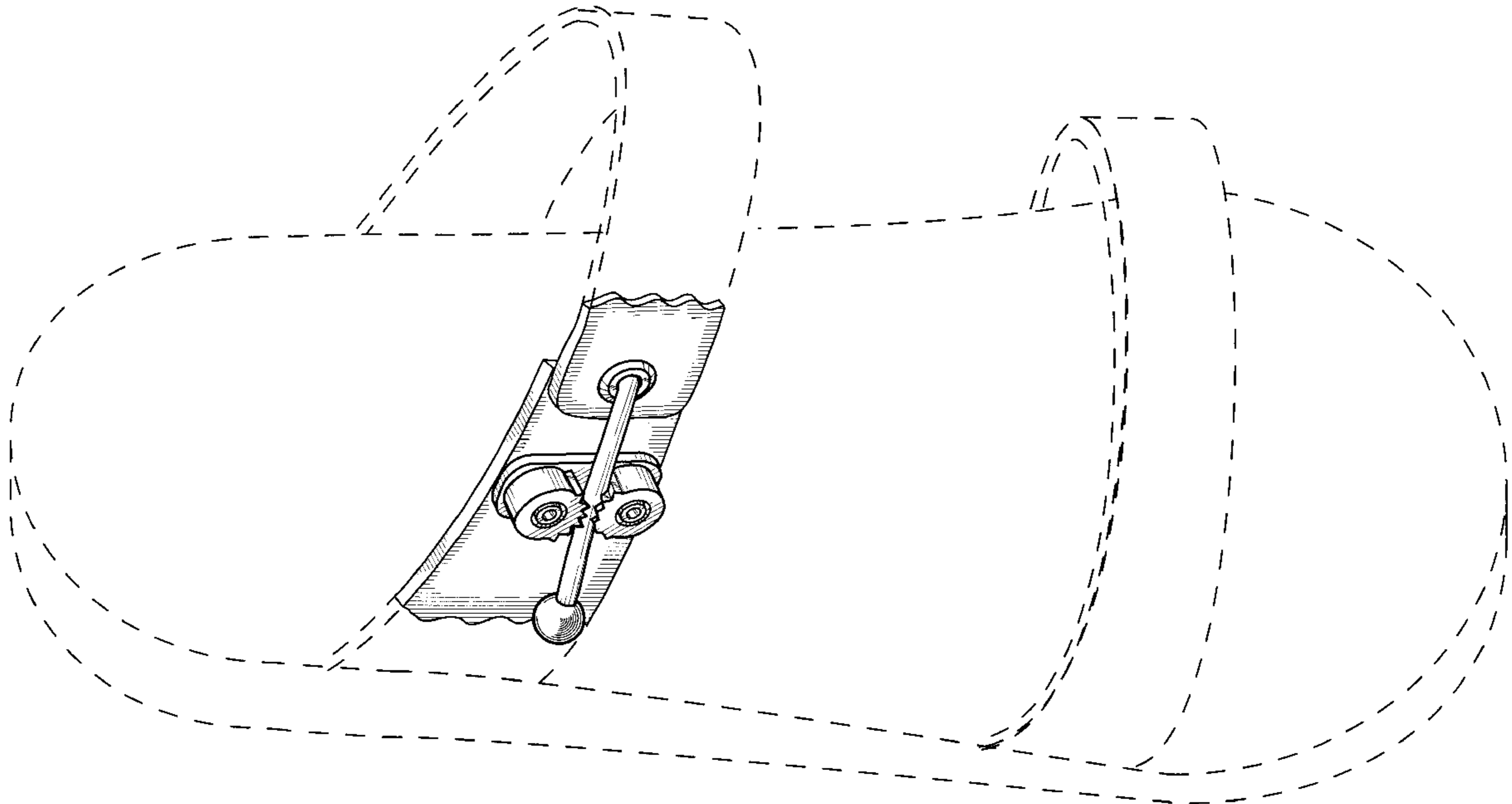
FIG. 2 is a top plan view;

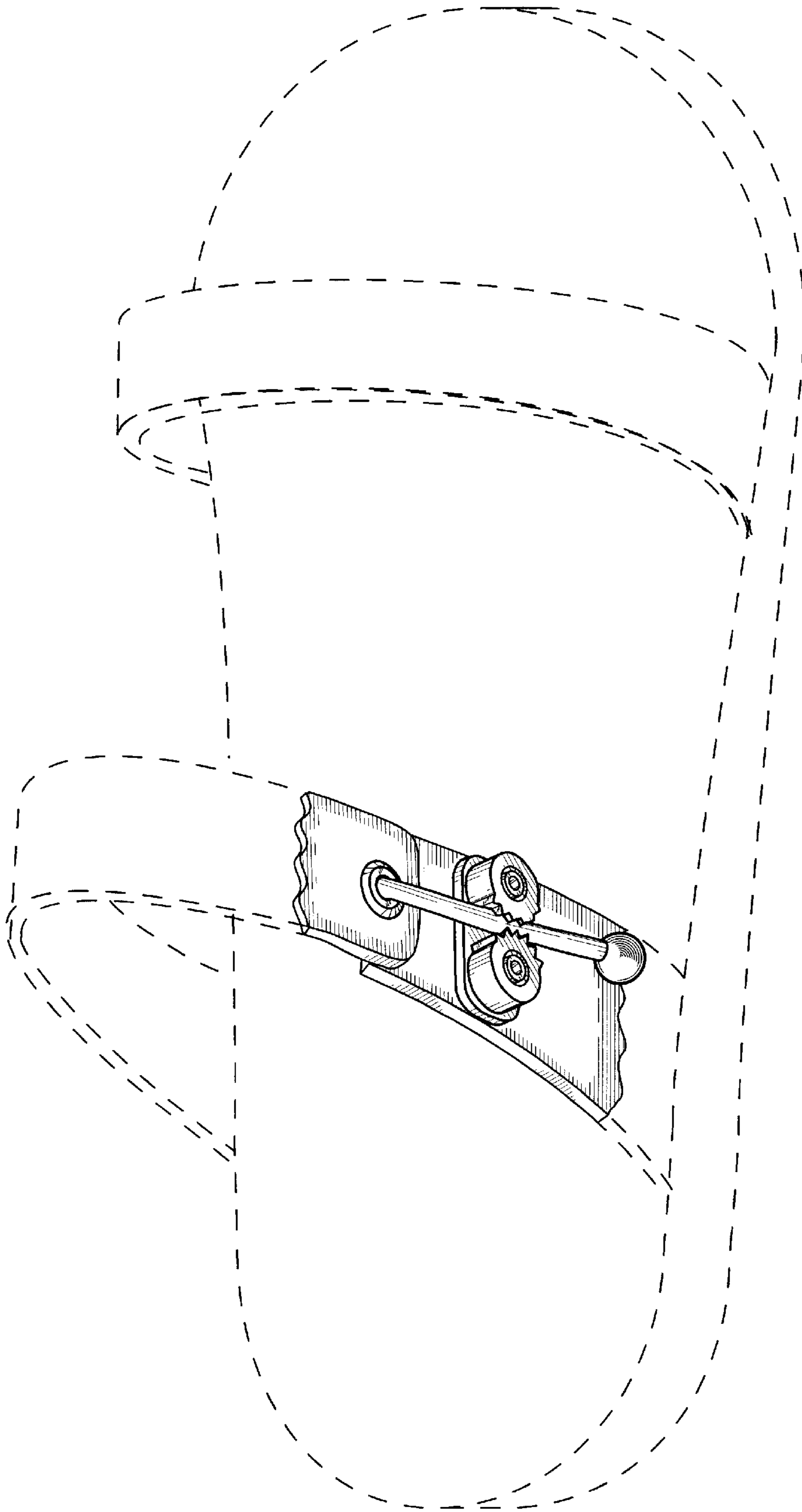
FIG. 3 is a front plan view;

FIG. 4 is a side plan view; and,

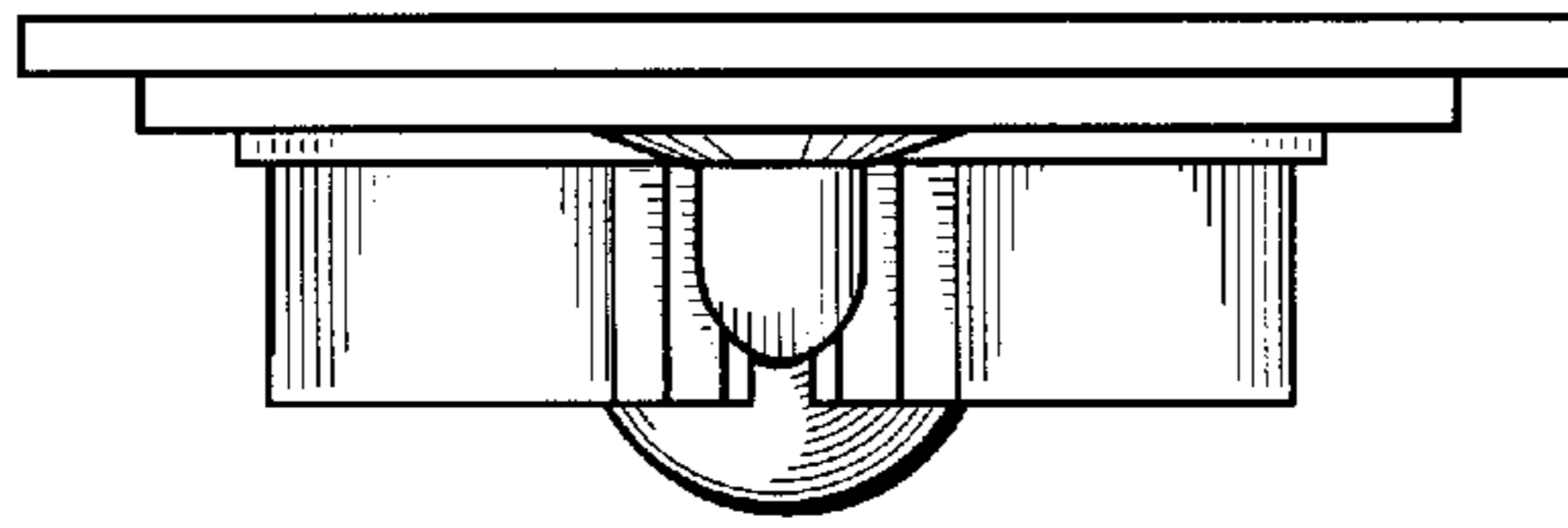
FIG. 5 is a bottom plan view.

**1 Claim, 2 Drawing Sheets**

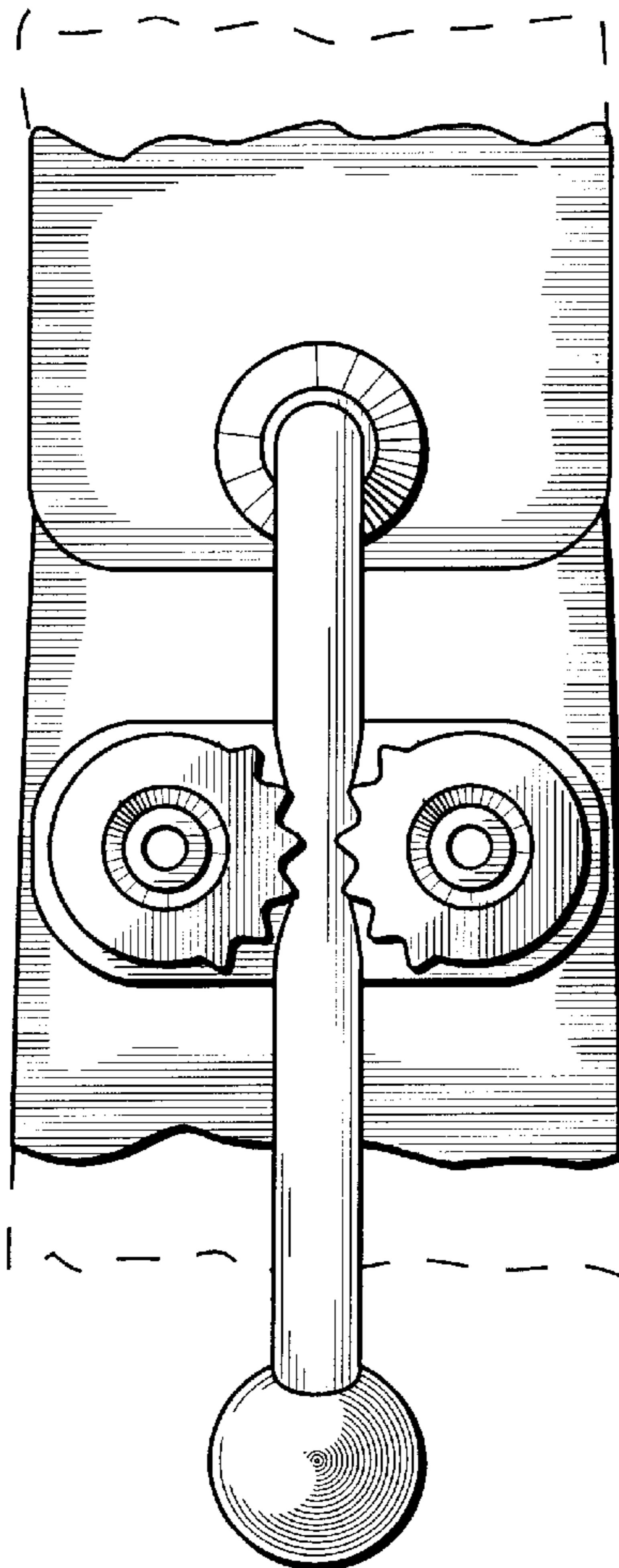




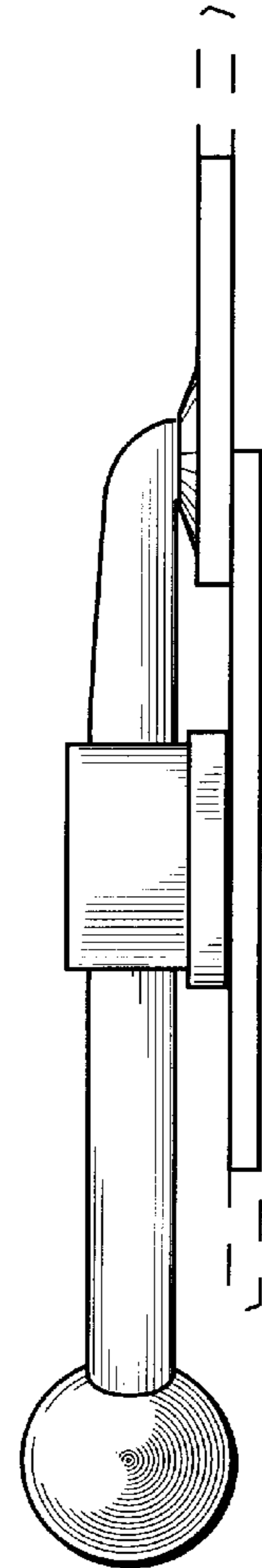
**FIG. 1**



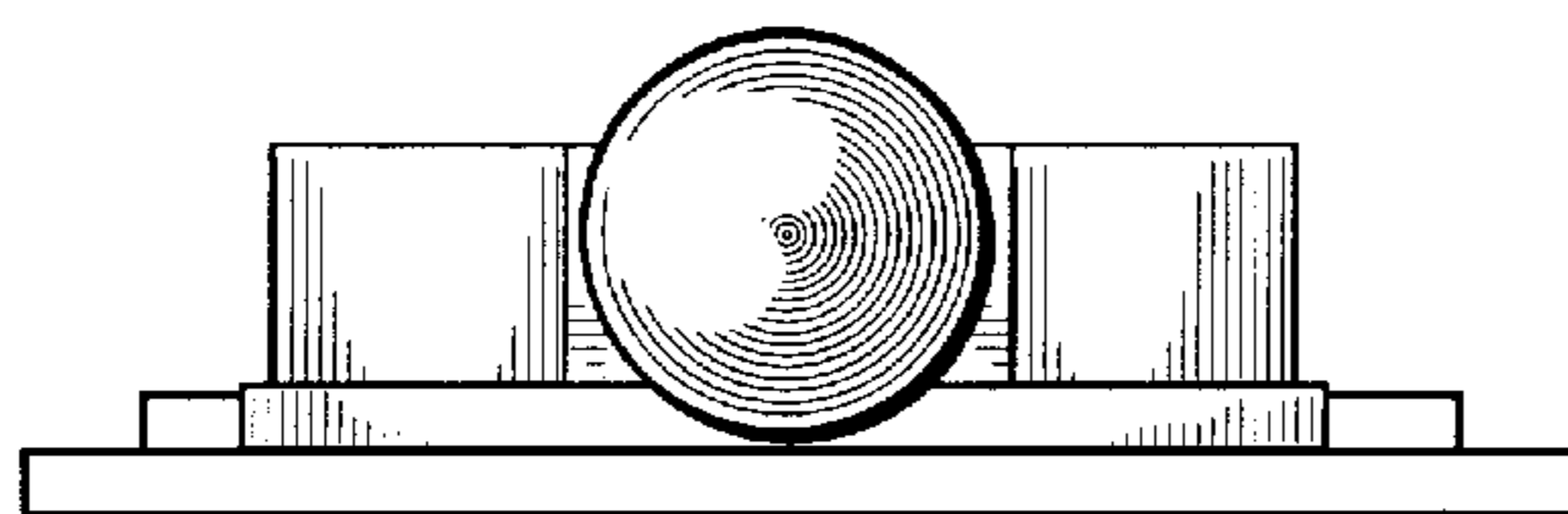
**FIG. 2**



**FIG. 3**



**FIG. 4**



**FIG. 5**