



US00D435705S

# United States Patent [19]

Powers et al.

[11] Patent Number: Des. 435,705

[45] Date of Patent: \*\* \*Dec. 26, 2000

[54] TRAY FOR A PET CAGE

790,053 5/1905 Hendryx .

[75] Inventors: **E. Michael Powers**, Neenah, Wis.;  
**Myron Goertzen**, Brooklyn Park,  
Minn.

### FOREIGN PATENT DOCUMENTS

122441 1/1919 United Kingdom .  
958300 5/1964 United Kingdom .

[73] Assignee: **Kennel-Aire, LLC**, Plymouth, Minn.

### OTHER PUBLICATIONS

[\*] Notice: This patent is subject to a terminal disclaimer.

Modern Plastics; p. 35; Tray by Auburn Button Wks. Inc; Jan. 1936.

[\*\*] Term: **14 Years**

Restaurant Equipment Dealer; p. 36; Cafeteria Tray by Masters and Andren, Ltd., Sep. 1966.

[21] Appl. No.: **29/090,239**

Cambro Manufacturing Company; Food Tray; 1959.

[22] Filed: **Jul. 1, 1998**

*Primary Examiner*—Louis S. Zarfes

*Assistant Examiner*—Catherine R. Oliver

*Attorney, Agent, or Firm*—Fredrikson & Byron, P.A.

[51] LOC (7) Cl. .... **30-06**

[52] U.S. Cl. .... **D30/120**

[58] Field of Search ..... D30/120, 199,  
D30/119; 119/462, 463; D9/425; 15/215;  
D7/359, 553, 550, 555, 554.3

### [57] CLAIM

The ornamental design for a tray for a pet cage, as shown.

### [56] References Cited

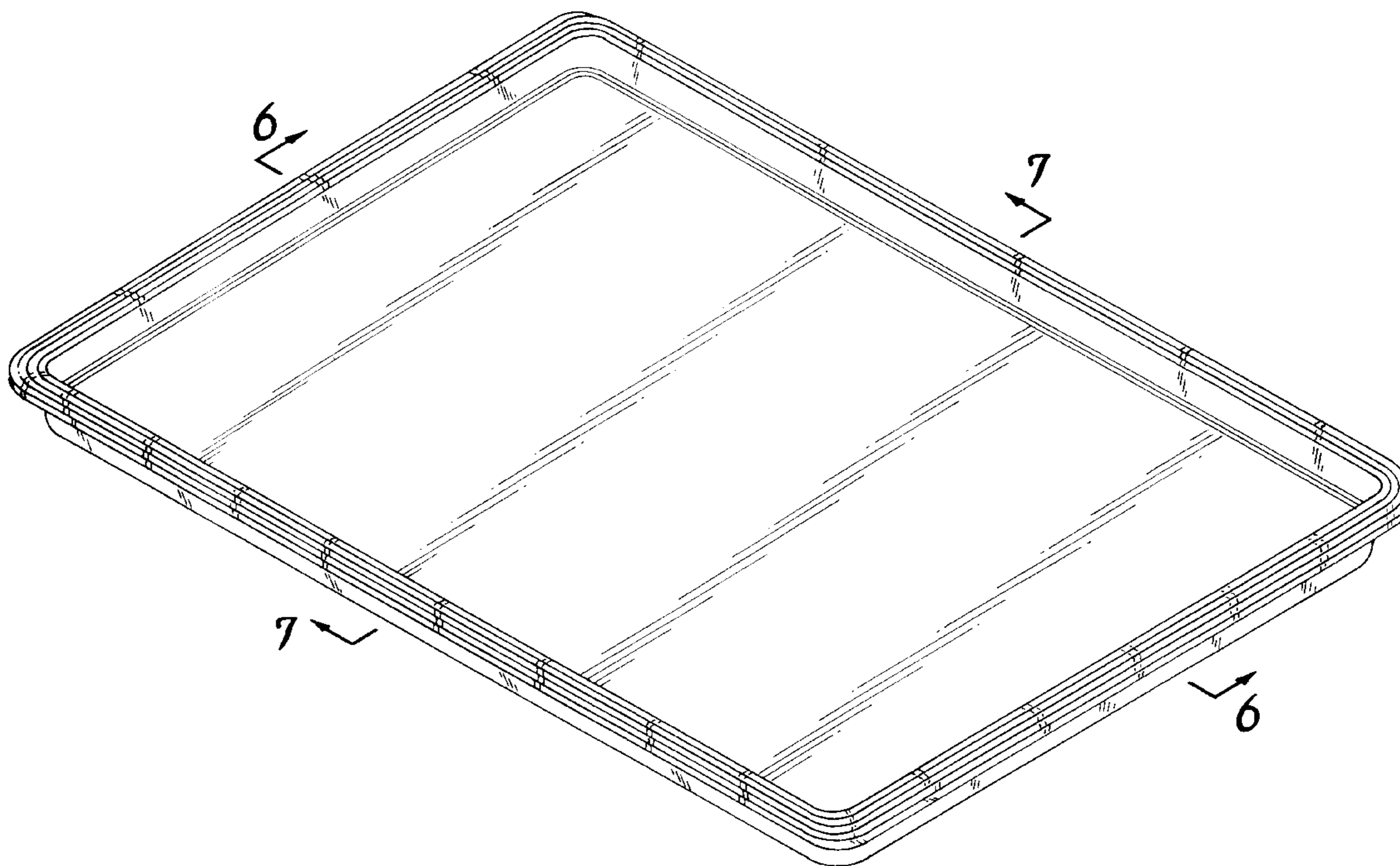
### DESCRIPTION

#### U.S. PATENT DOCUMENTS

- D. 173,120 9/1954 Levenhagen ..... D7/554.3
- D. 219,134 11/1970 Hartman ..... D9/425
- D. 226,673 4/1973 Bateman ..... D9/425
- D. 240,714 7/1976 White .
- D. 353,516 12/1994 Anderson .
- D. 384,778 10/1997 Powers et al. .

FIG. 1 is a perspective view of the invention;  
 FIG. 2 is a top plan view thereof;  
 FIG. 3 is a bottom plan view thereof;  
 FIG. 4 is a front and back elevational view thereof;  
 FIG. 5 is a left side and right side elevational view thereof;  
 FIG. 6 is a sectional view taken along line 6—6; and,  
 FIG. 7 is a sectional view taken along line 7—7.

**1 Claim, 5 Drawing Sheets**



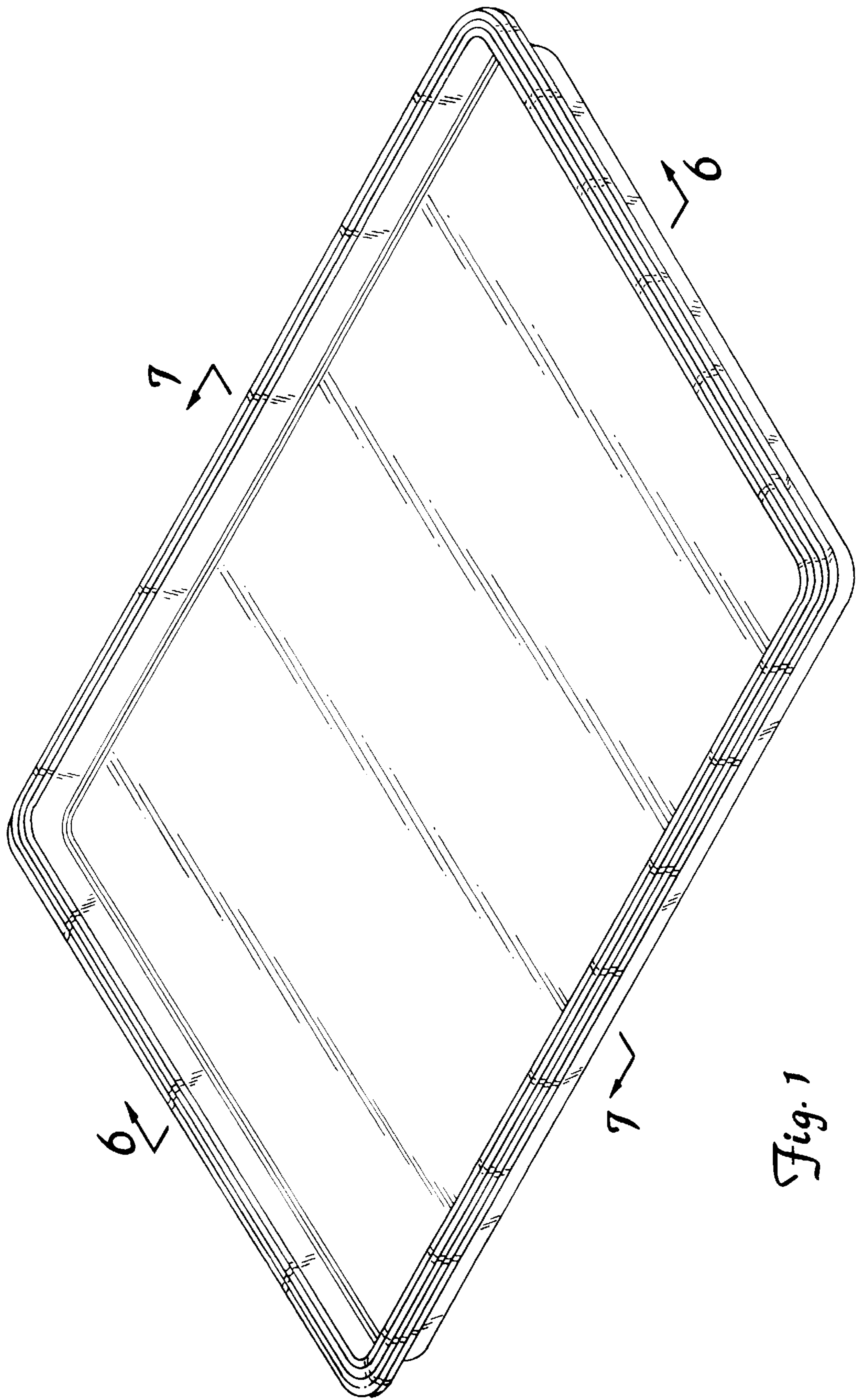
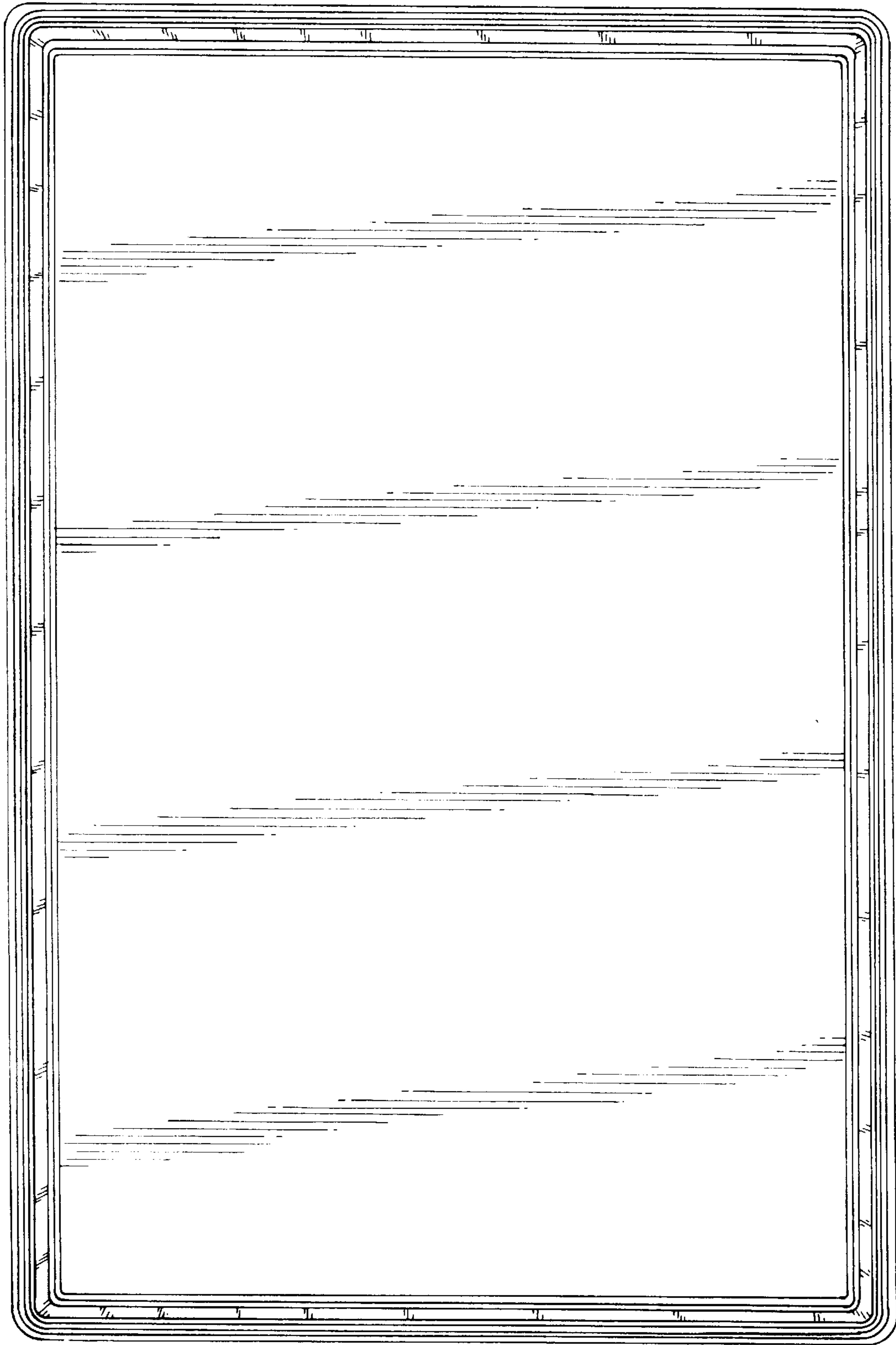
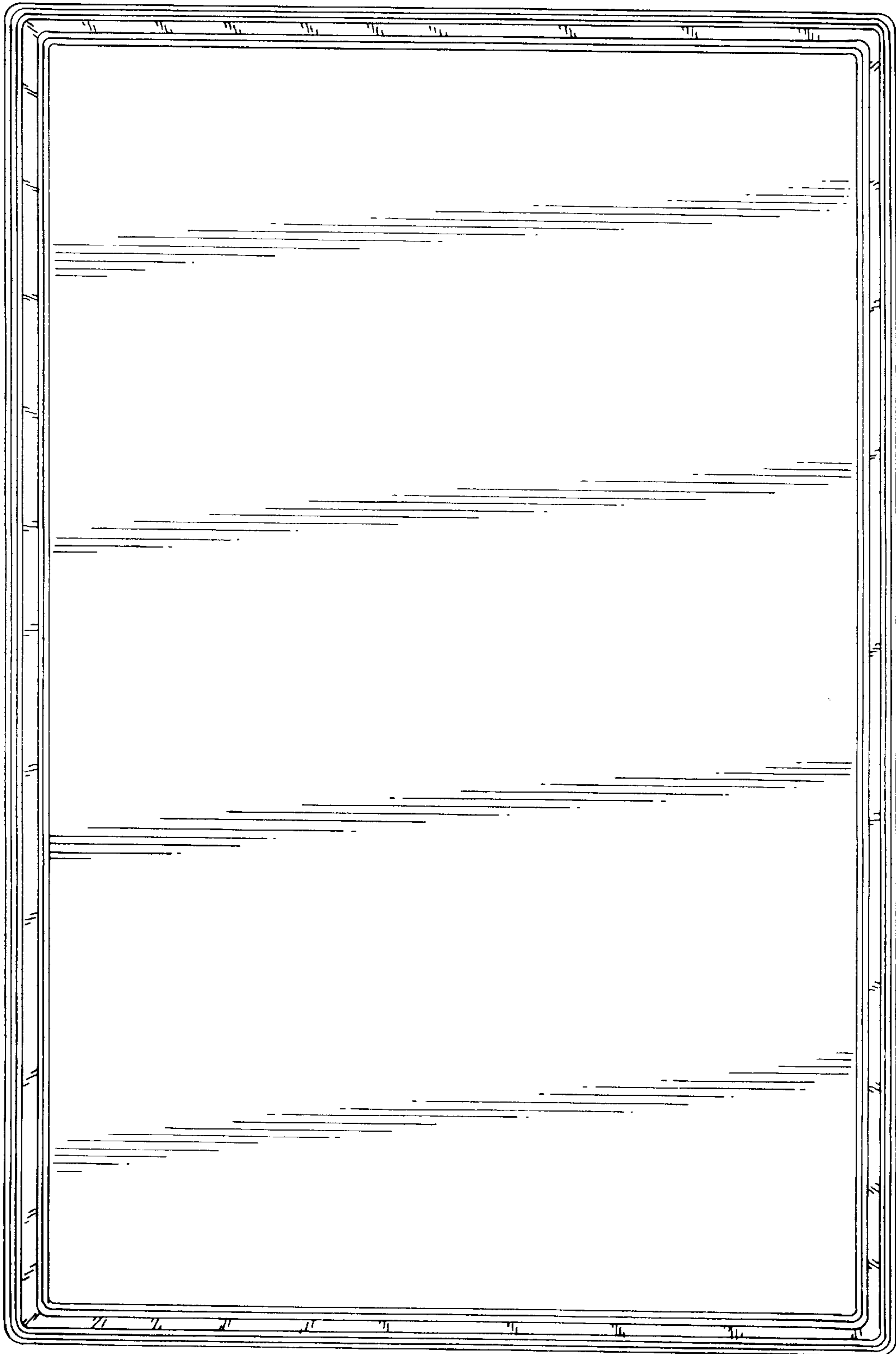


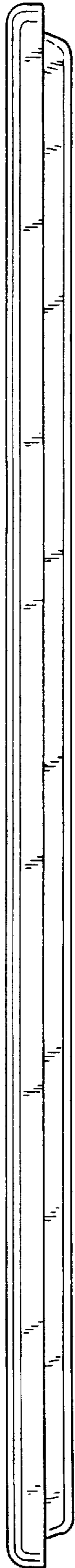
Fig. 1



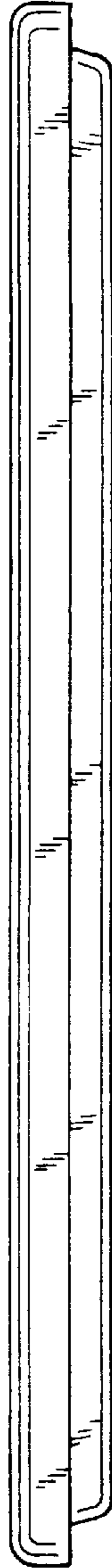
*Fig. 2*



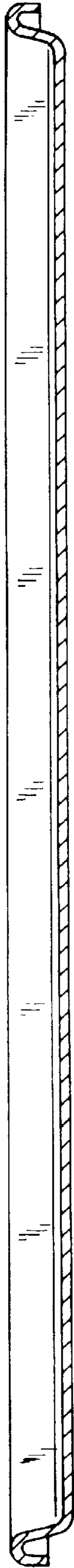
*Fig. 3*



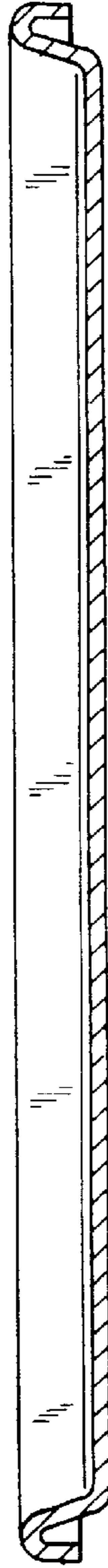
*Fig. 4*



*Fig. 5*



*Fig. 6*



*Fig. 7*