



US00D435691S

United States Patent [19] Reynolds

[11] **Patent Number: Des. 435,691**

[45] **Date of Patent: ** Dec. 26, 2000**

[54] **COMBINATION LIGHTER AND CIGAR CUTTER**

[75] Inventor: **Michael Patrick Reynolds**, Warwick, R.I.

[73] Assignee: **Colibri Corporation**

[**] Term: **14 Years**

[21] Appl. No.: **29/125,295**

[22] Filed: **Jun. 21, 2000**

[51] **LOC (7) Cl.** **27-05**

[52] **U.S. Cl.** **D27/143**

[58] **Field of Search** 431/253; D27/139, D27/141, 142, 143, 157, 159, 195; 131/248

[56] **References Cited**

U.S. PATENT DOCUMENTS

- D. 387,474 12/1997 Fontaine, Jr. D27/143
- D. 404,520 1/1999 Kim D27/143

Primary Examiner—Susan J. Lucas
Assistant Examiner—Jennifer Rivard
Attorney, Agent, or Firm—Salter & Michaelson

[57] **CLAIM**

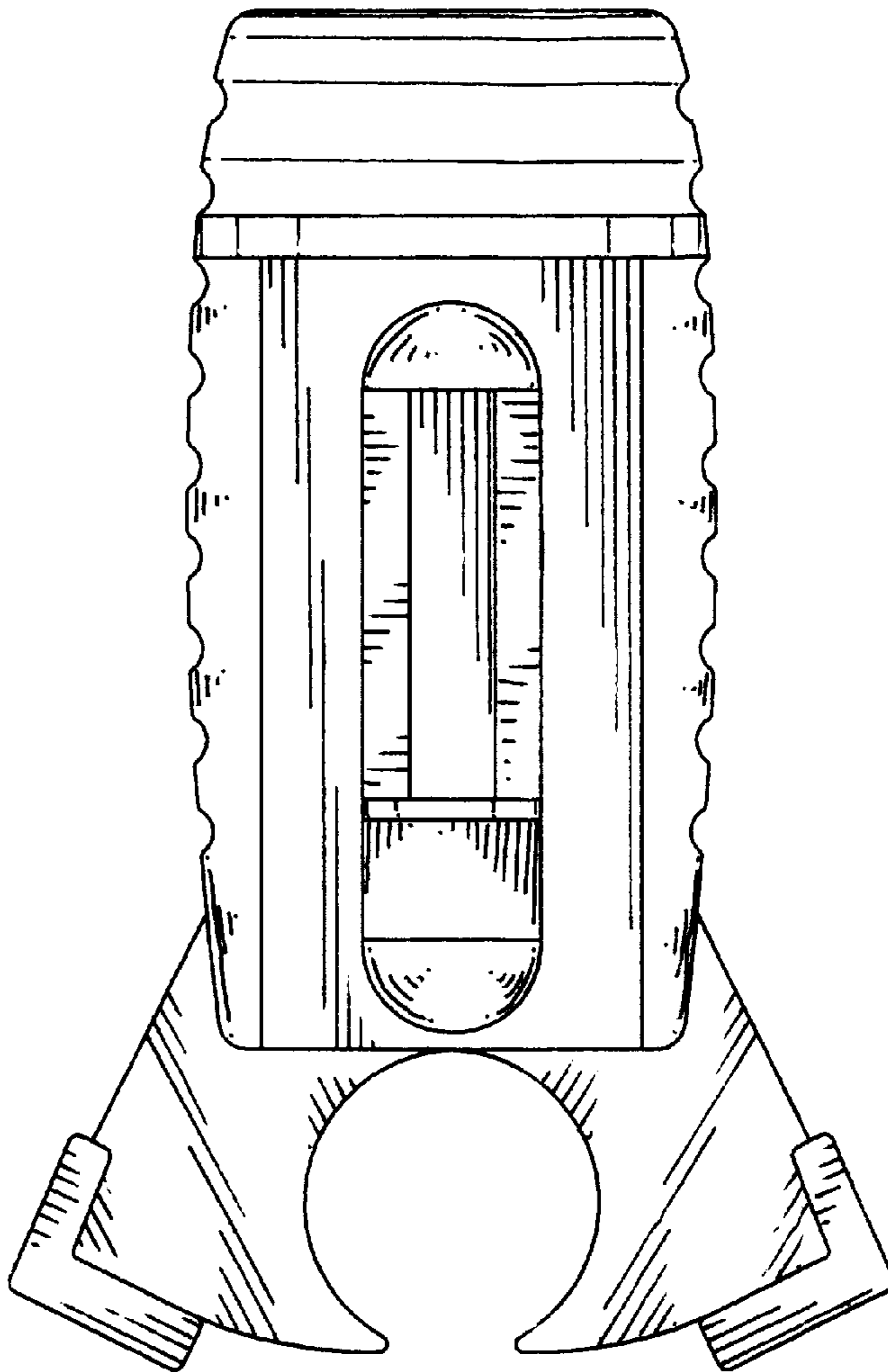
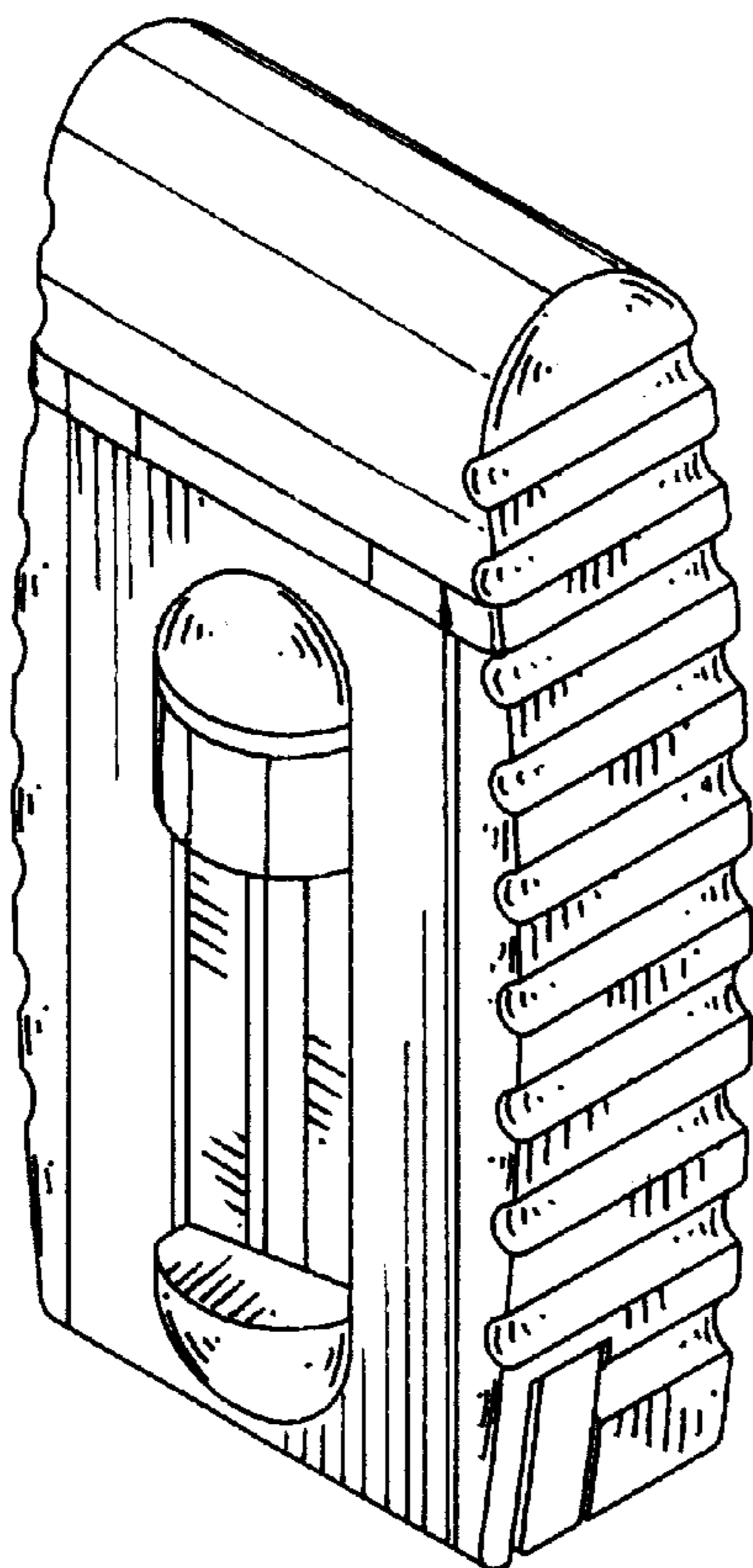
The ornamental design for a combination lighter and cigar cutter, as shown and described.

DESCRIPTION

FIG. 1 is a perspective view of a combination lighter and cigar cutter showing my new design; FIG. 2 is a front elevational view thereof; FIG. 3 is a back elevational view thereof; FIG. 4 is a left side elevational view thereof; FIG. 5 is a right side elevational view thereof; FIG. 6 is a top plan view thereof; FIG. 7 is a bottom plan view thereof; and, FIG. 8 is a front elevational view thereof with the cigar cutter in an open position.

The rear view of the cigar cutter is a mirror image of the front view of the cigar cutter that is shown in FIG. 8.

1 Claim, 3 Drawing Sheets



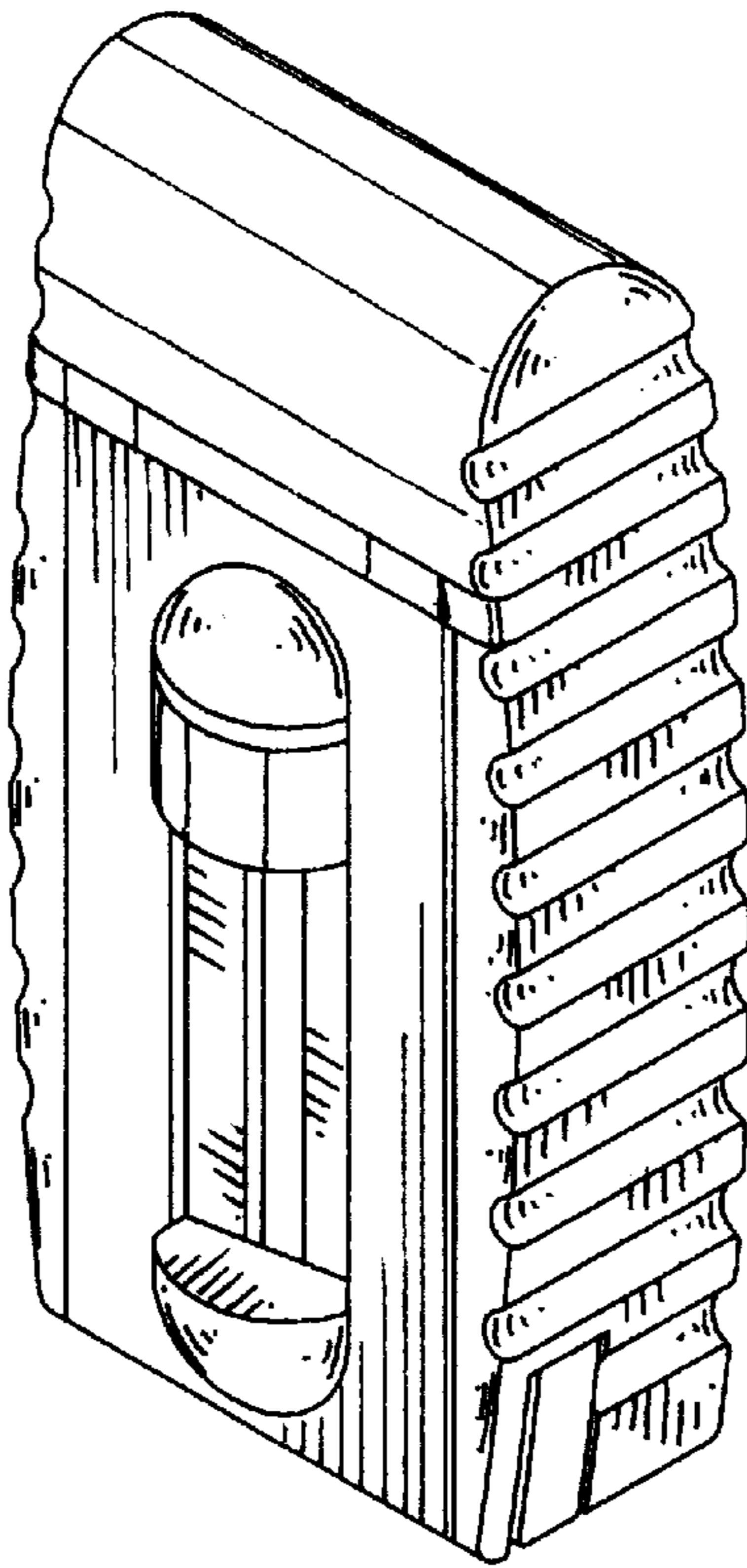


FIG. 1

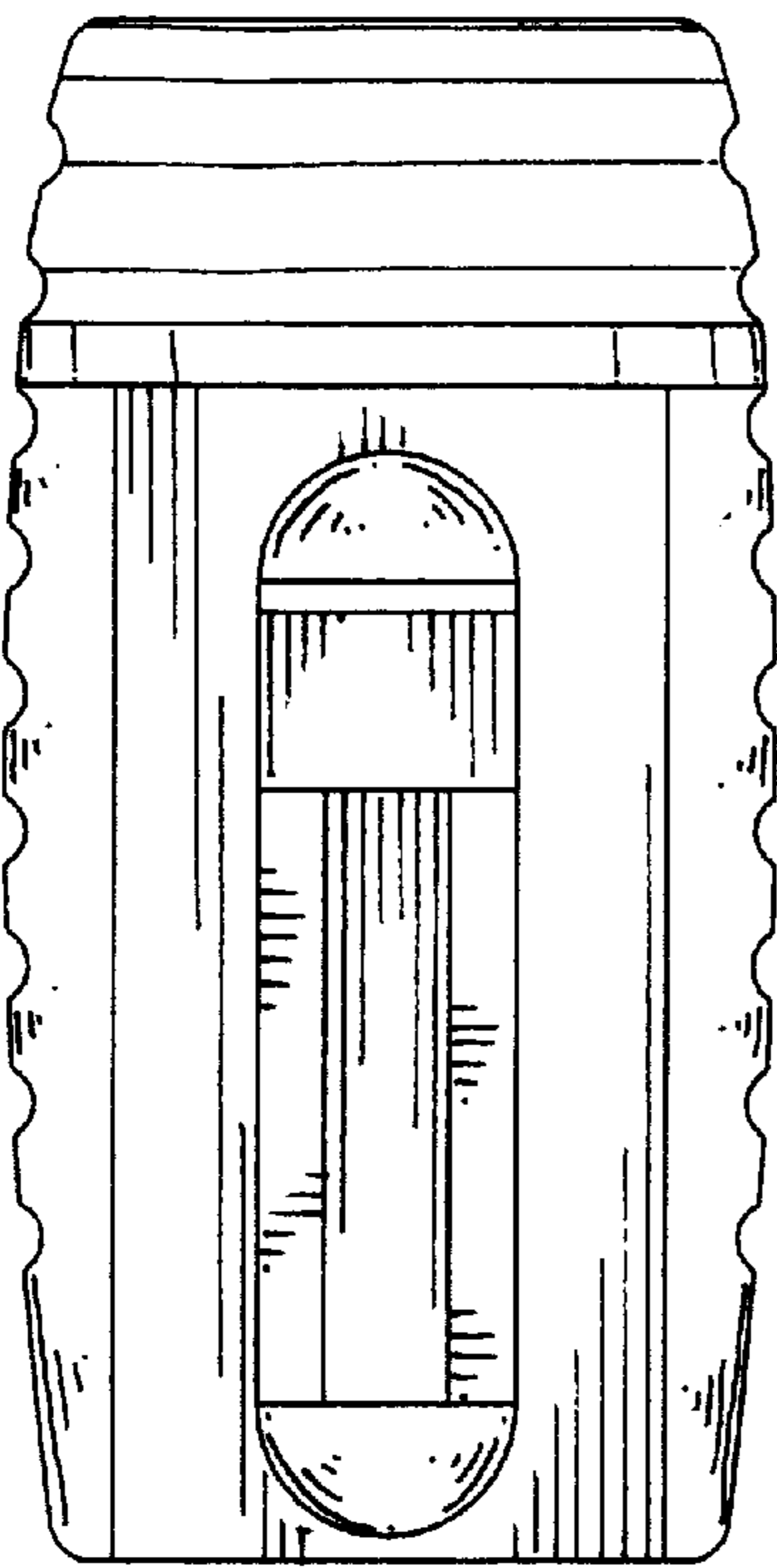


FIG. 2

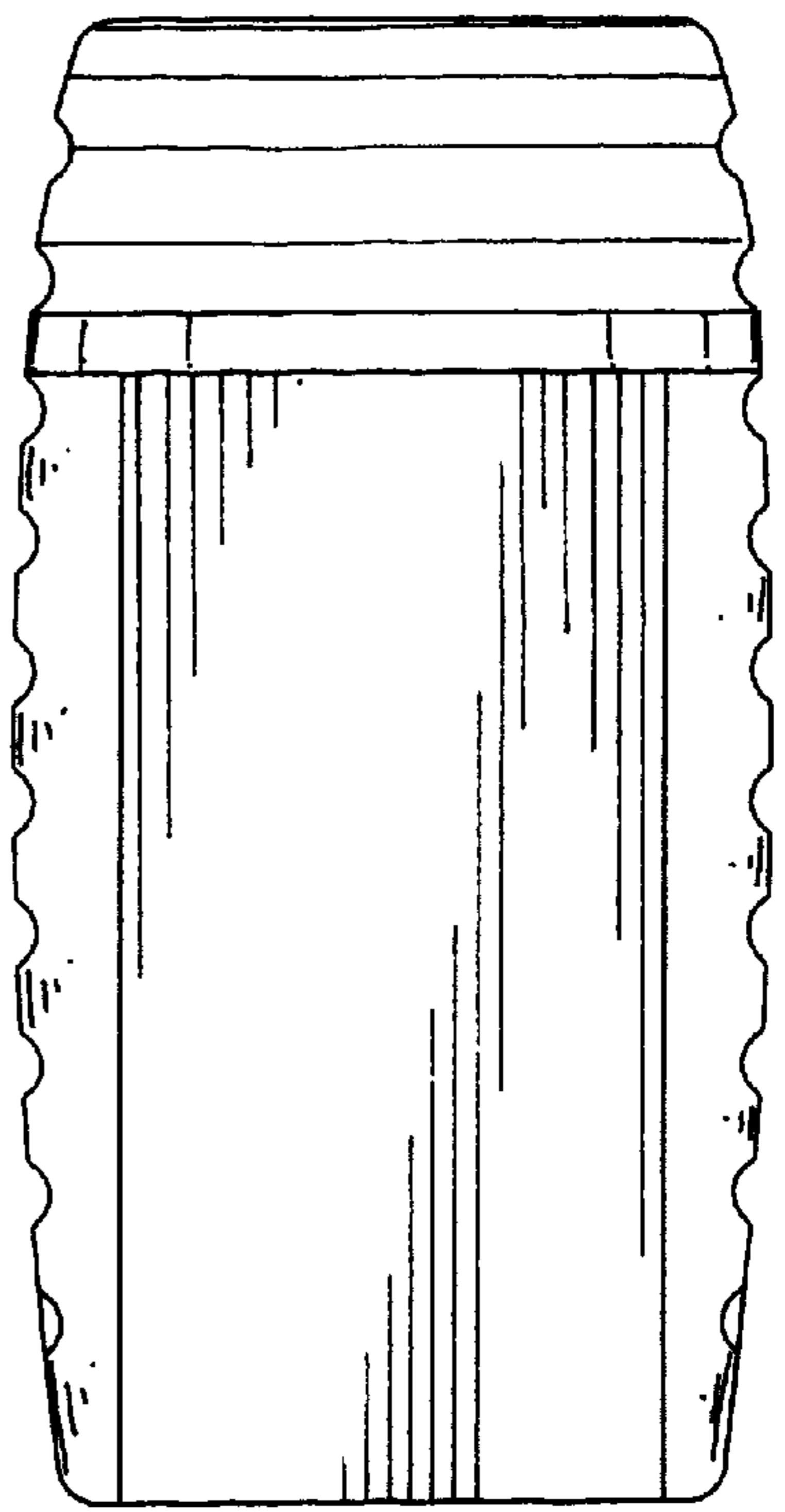


FIG. 3

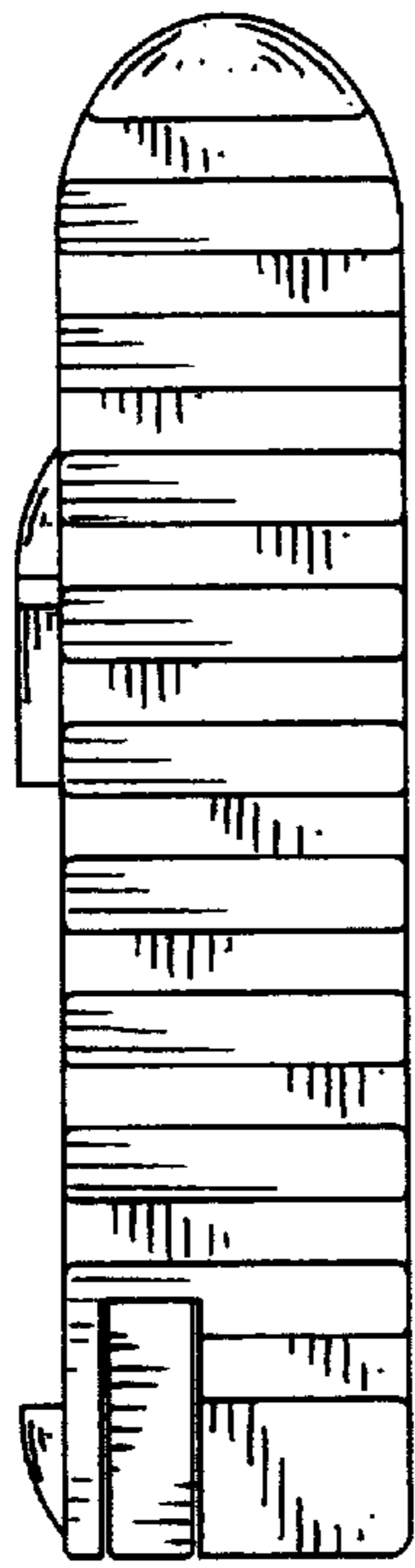


FIG. 4

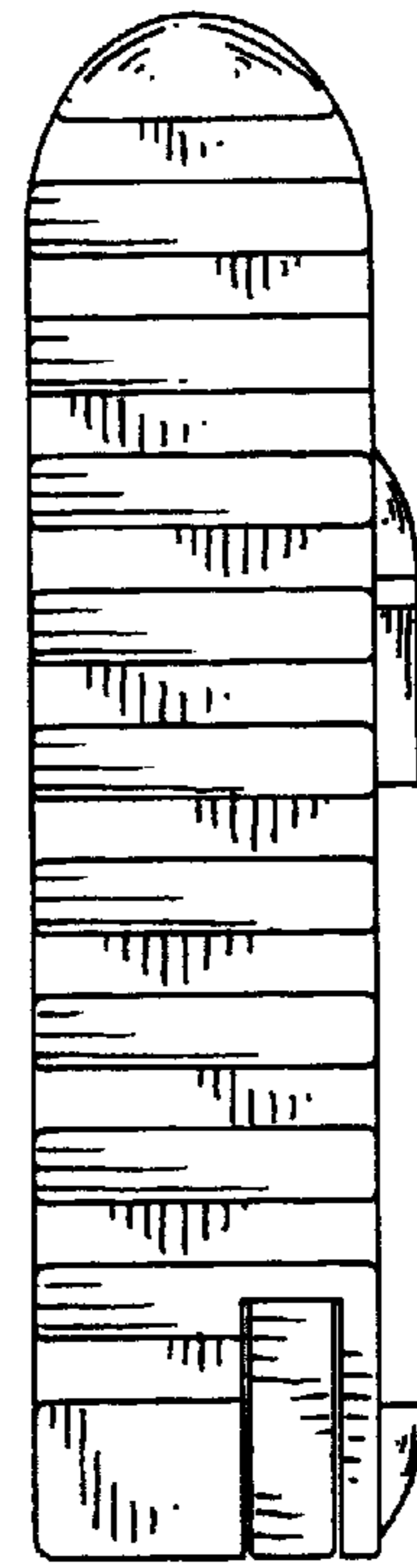


FIG. 5

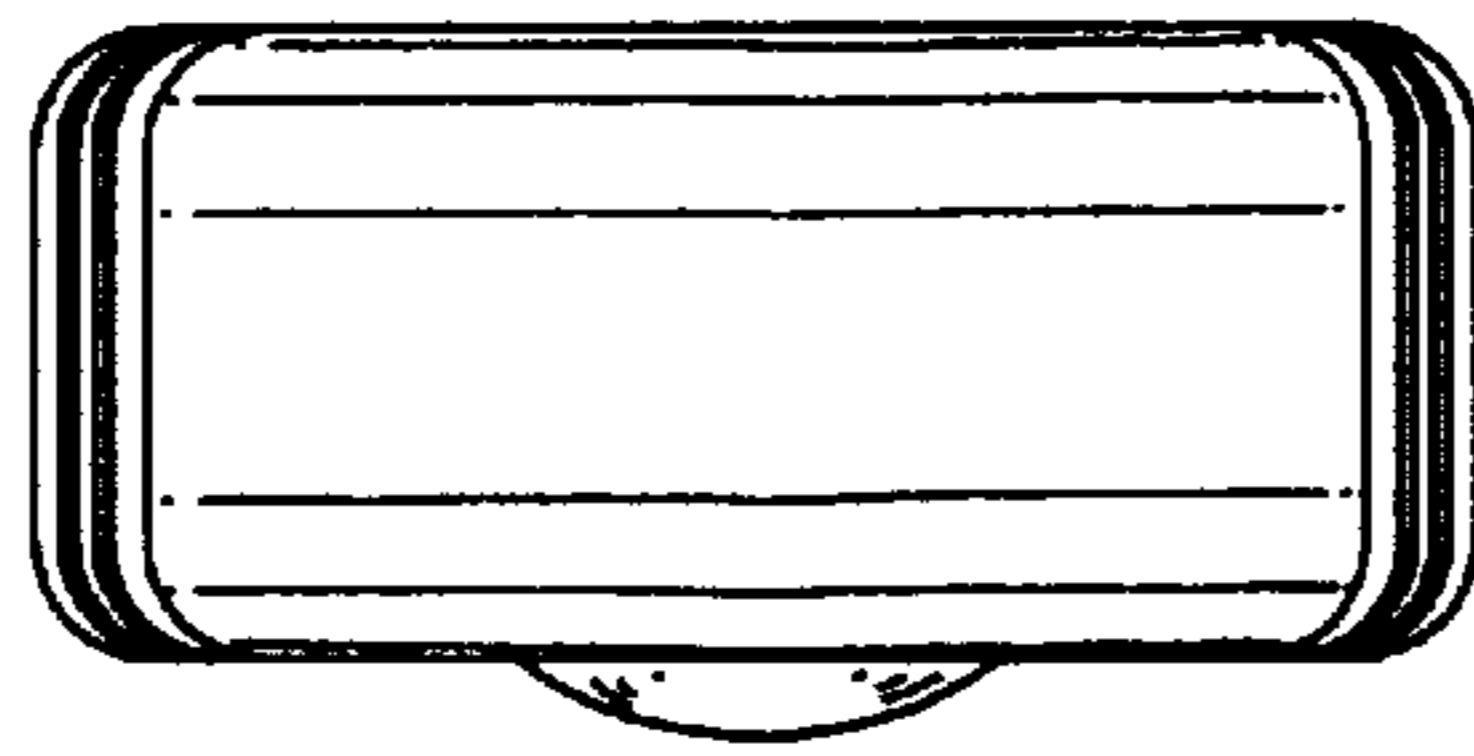


FIG. 6

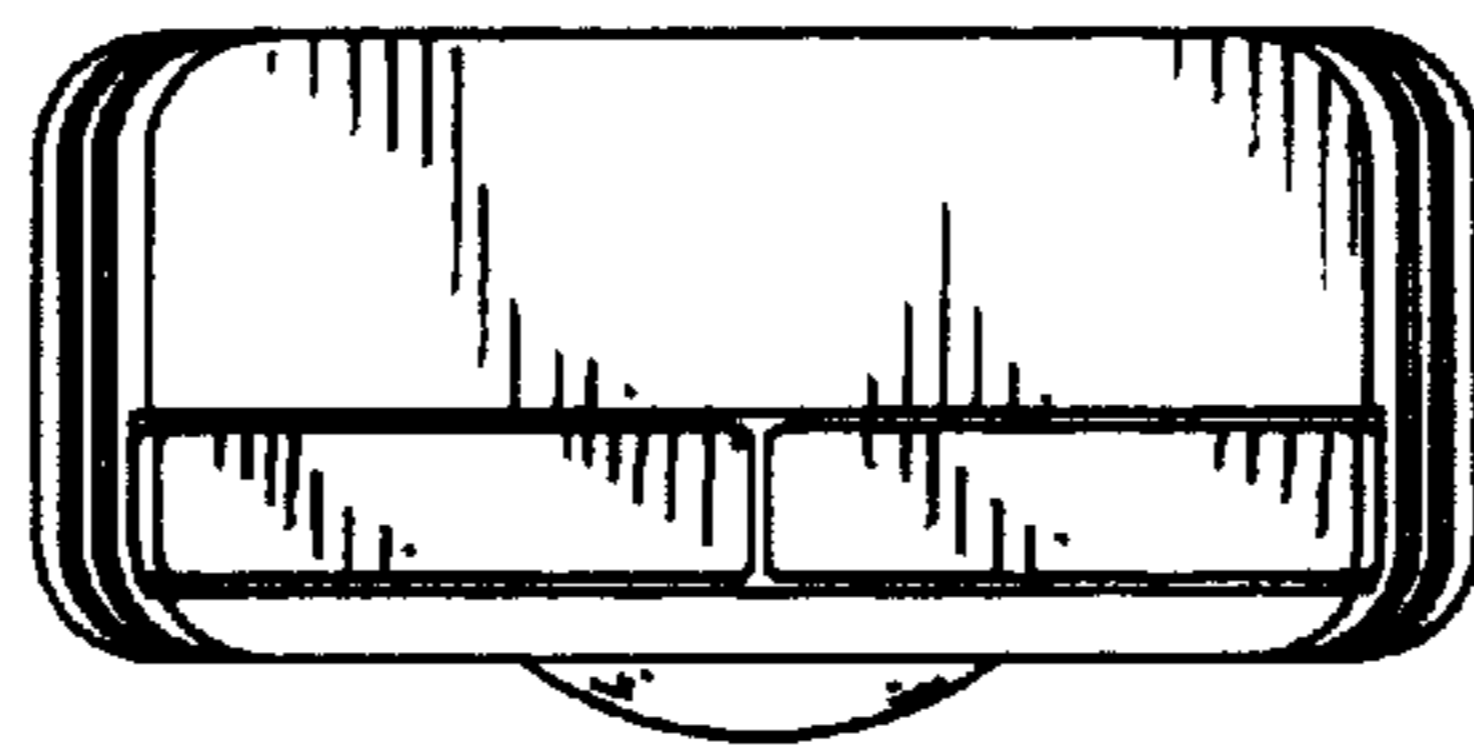


FIG. 7

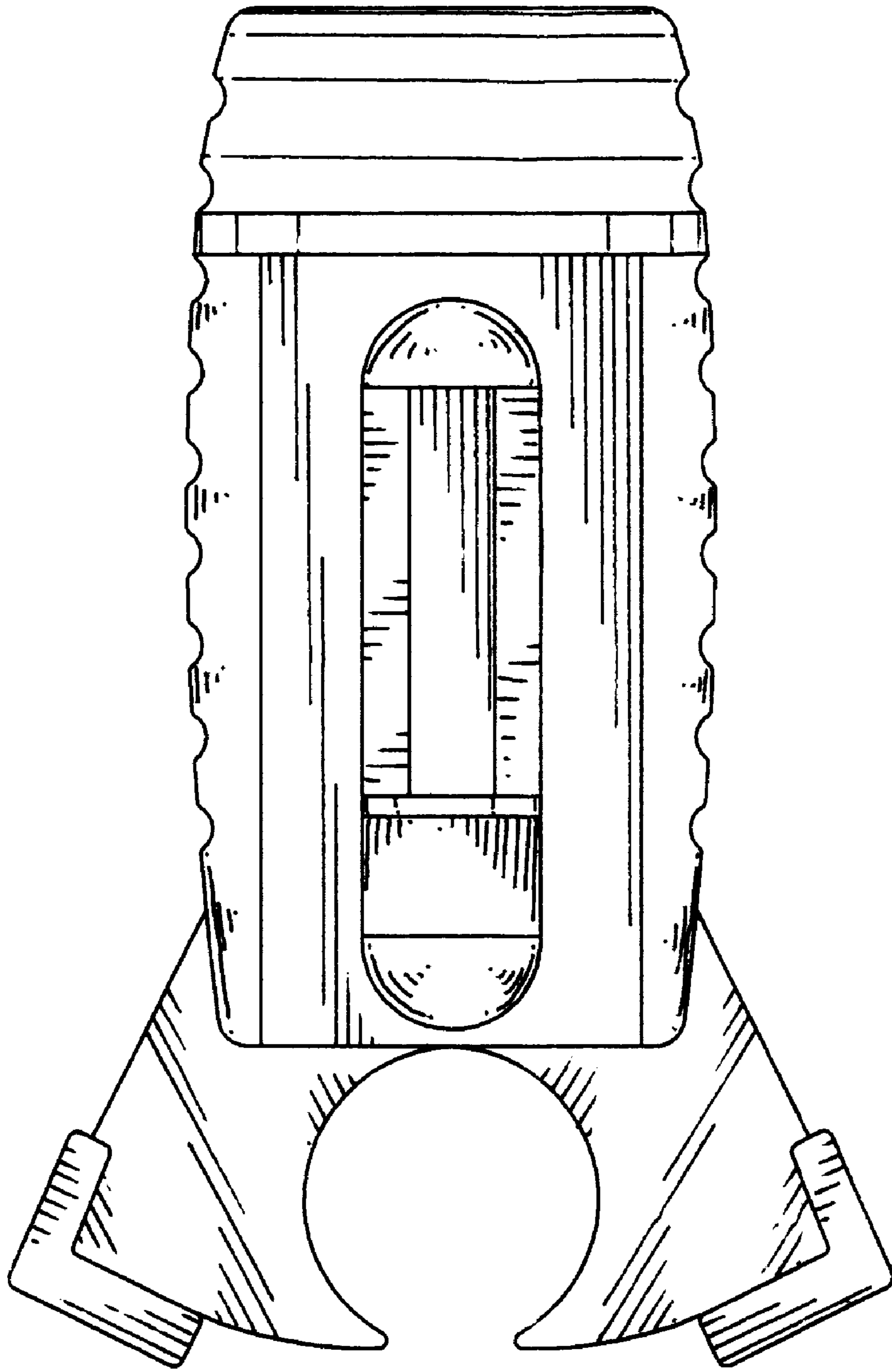


FIG. 8