



US00D435689S

**United States Patent** [19]  
**Miranda**

[11] **Patent Number: Des. 435,689**

[45] **Date of Patent: \*\* Dec. 26, 2000**

[54] **LIGHTING FIXTURE ARM**

*Primary Examiner*—Susan J. Lucas

[76] Inventor: **Pasquale Miranda**, 63-2<sup>nd</sup> St., Garden City, N.Y. 11530

[57] **CLAIM**

[\*\*] Term: **14 Years**

The ornamental design for a lighting fixture arm, as shown and described.

[21] Appl. No.: **29/118,765**

**DESCRIPTION**

[22] Filed: **Feb. 15, 2000**

[51] **LOC (7) Cl.** ..... **26-99**

[52] **U.S. Cl.** ..... **D26/155**

[58] **Field of Search** ..... D26/142, 143, D26/144, 145, 148, 149, 152, 153, 155, 72, 80-92; 362/404-408, 432; D8/367, 373, 380

FIG. 1 is a perspective view of the lighting fixture arm thereof;

FIG. 2 is a left side elevational view thereof, rear elevational view being a mirror image; and,

FIG. 3 is a front elevational view thereof.

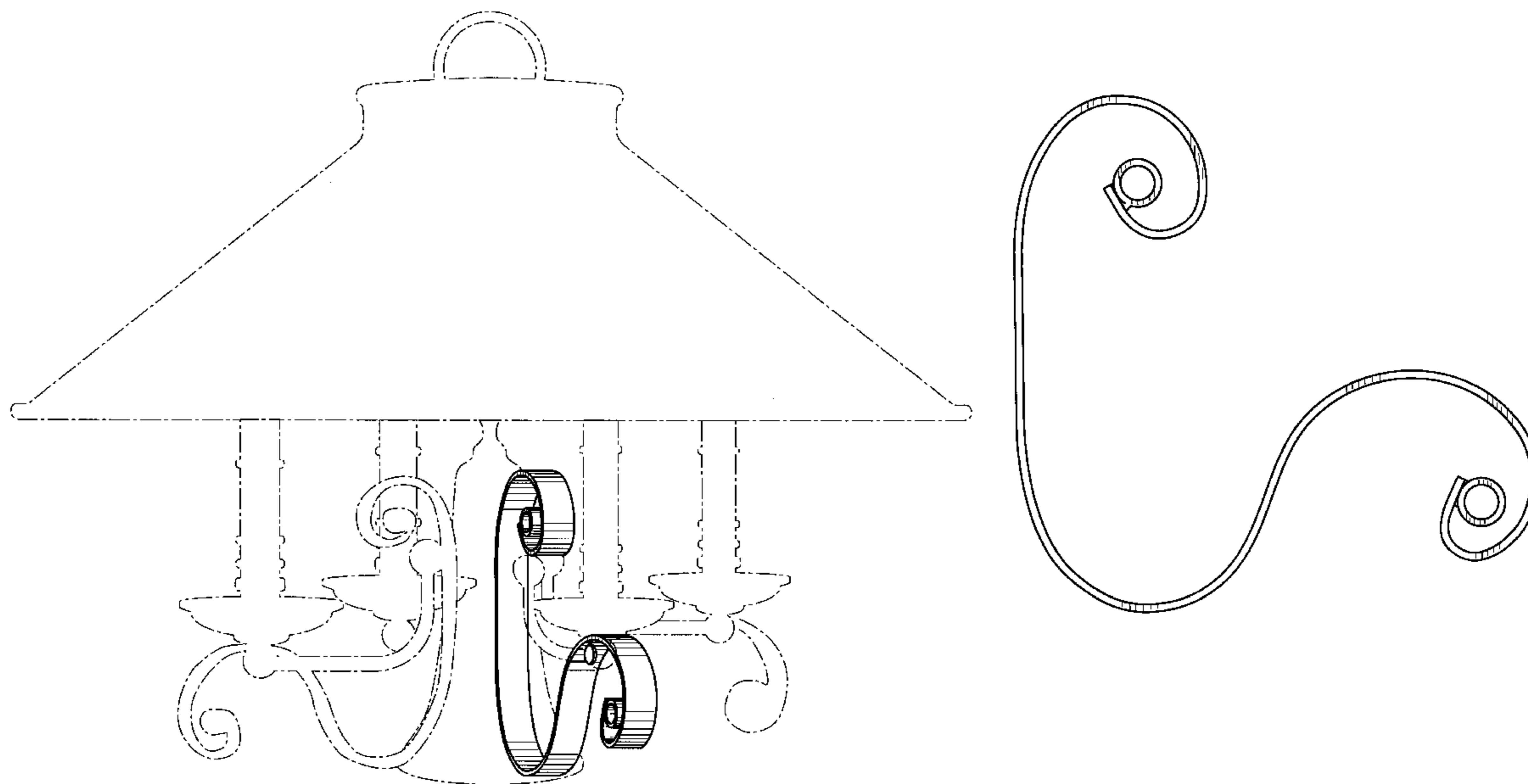
[56] **References Cited**  
**PUBLICATIONS**

The broken-line showing of environmental structures in FIG. 1 is for illustrative purposes only and forms no part of the claimed design.

Murray Feiss lighting catalog, p. 120, wall lamp WB 1060 WT, arm.

Progress lighting catalog, p. 45, ceiling lamp P4579-10 chandelier arm.

**1 Claim, 2 Drawing Sheets**



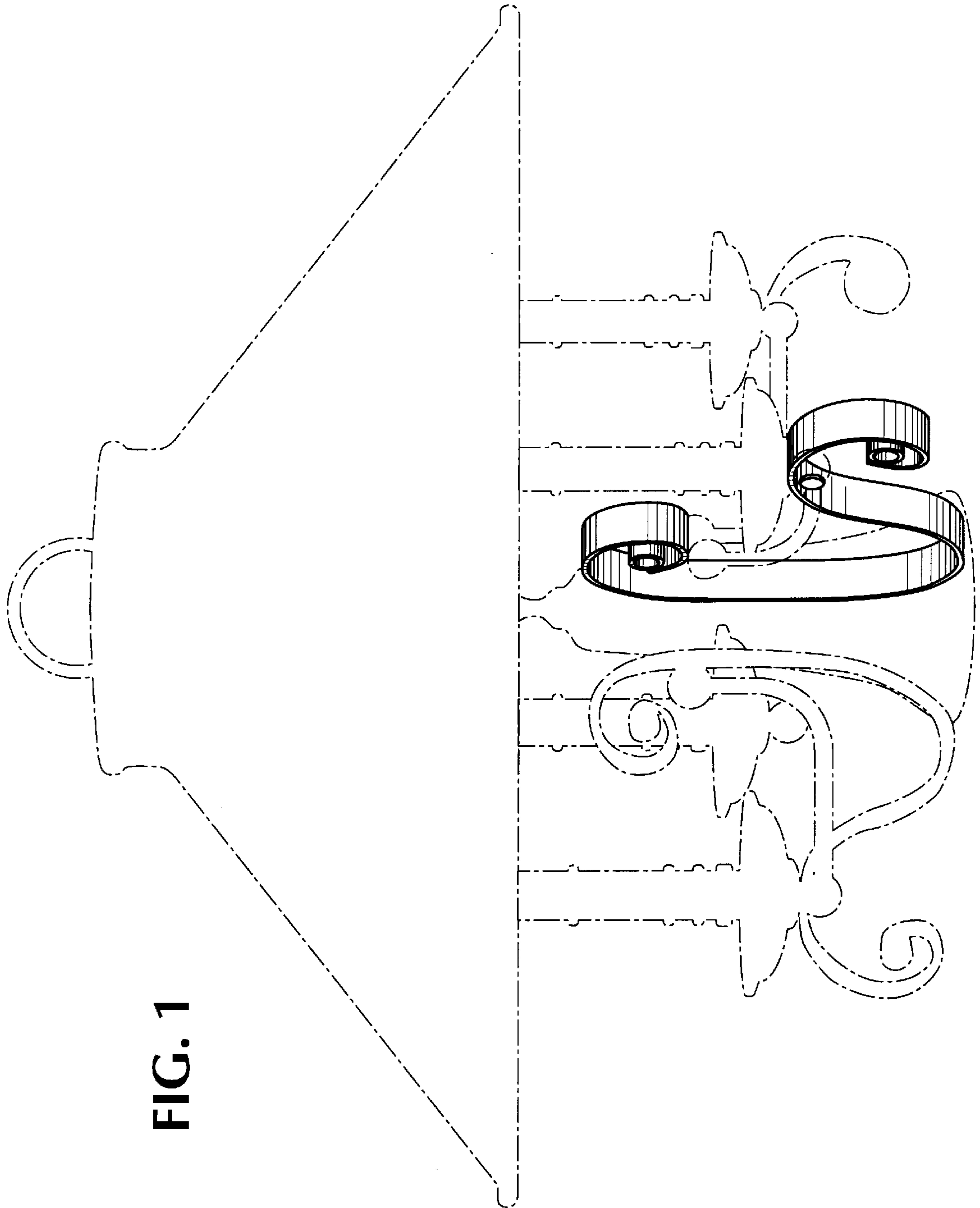


FIG. 1

FIG. 3

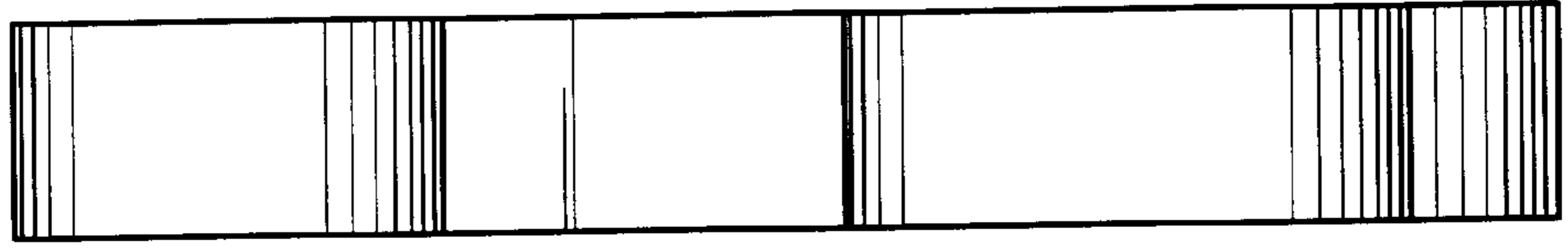


FIG. 2

