



US00D435685S

United States Patent [19]

Lelm

[11] **Patent Number: Des. 435,685**

[45] **Date of Patent: ** Dec. 26, 2000**

[54] **ADJUSTABLE LANTERN HOLDER**

[76] Inventor: **Lynn J. Lelm**, 7210 Moonlite Rd.,
Bismarck, N. Dak. 58501

[**] Term: **14 Years**

[21] Appl. No.: **29/119,939**

[22] Filed: **Mar. 10, 2000**

[51] **LOC (7) Cl.** **26-99**

[52] **U.S. Cl.** **D26/138**

[58] **Field of Search** D26/138; D8/1;
248/156, 530, 121; 362/396

[56] **References Cited**

U.S. PATENT DOCUMENTS

D. 323,408 1/1992 Butler D26/138

D. 346,240 4/1994 Dickens, Sr. et al. D26/138
D. 376,443 12/1996 Porter D26/138
5,735,494 4/1998 Kurk 248/156 X

Primary Examiner—Holly Baynham

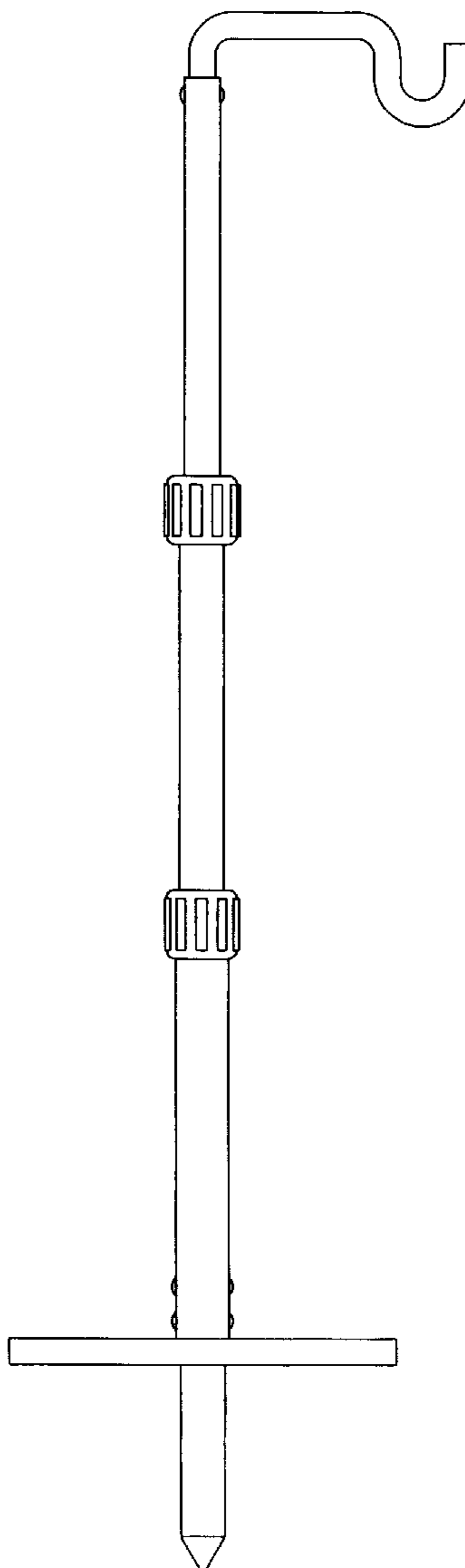
[57] **CLAIM**

The ornamental design for a adjustable lantern holder, as shown.

DESCRIPTION

FIG. 1 is a perspective, extended view;
FIG. 2 is a perspective view in a retracted position;
FIG. 3 is an opposite view of FIG. 1;
FIG. 4 is a side view; and,
FIG. 5 is an opposite view of FIG. 4.

1 Claim, 2 Drawing Sheets



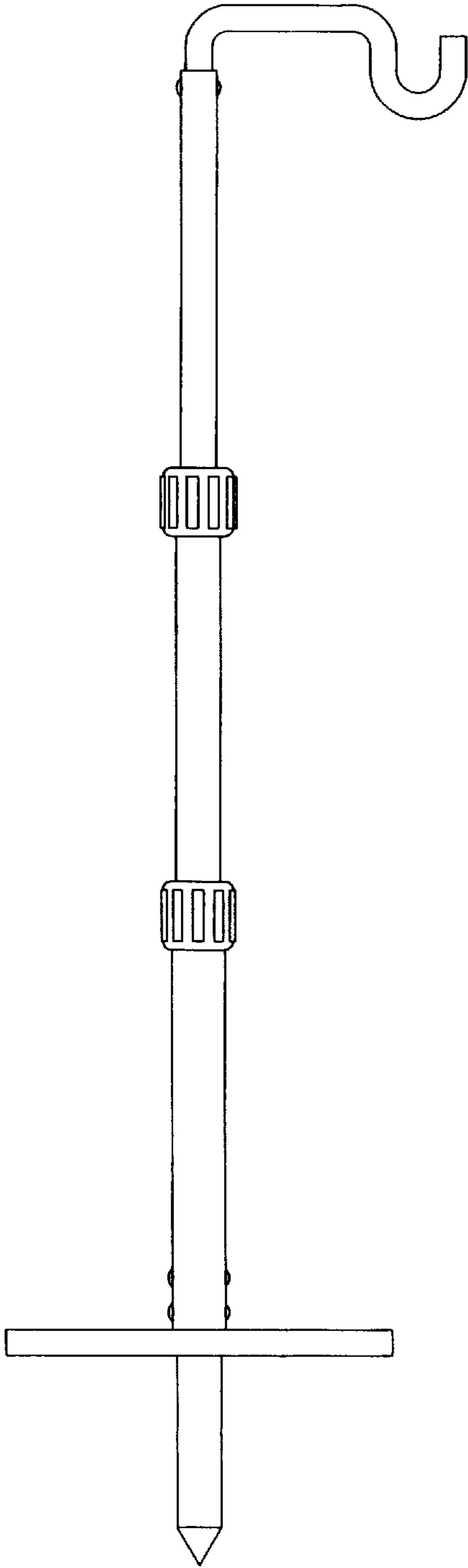


FIG. 1

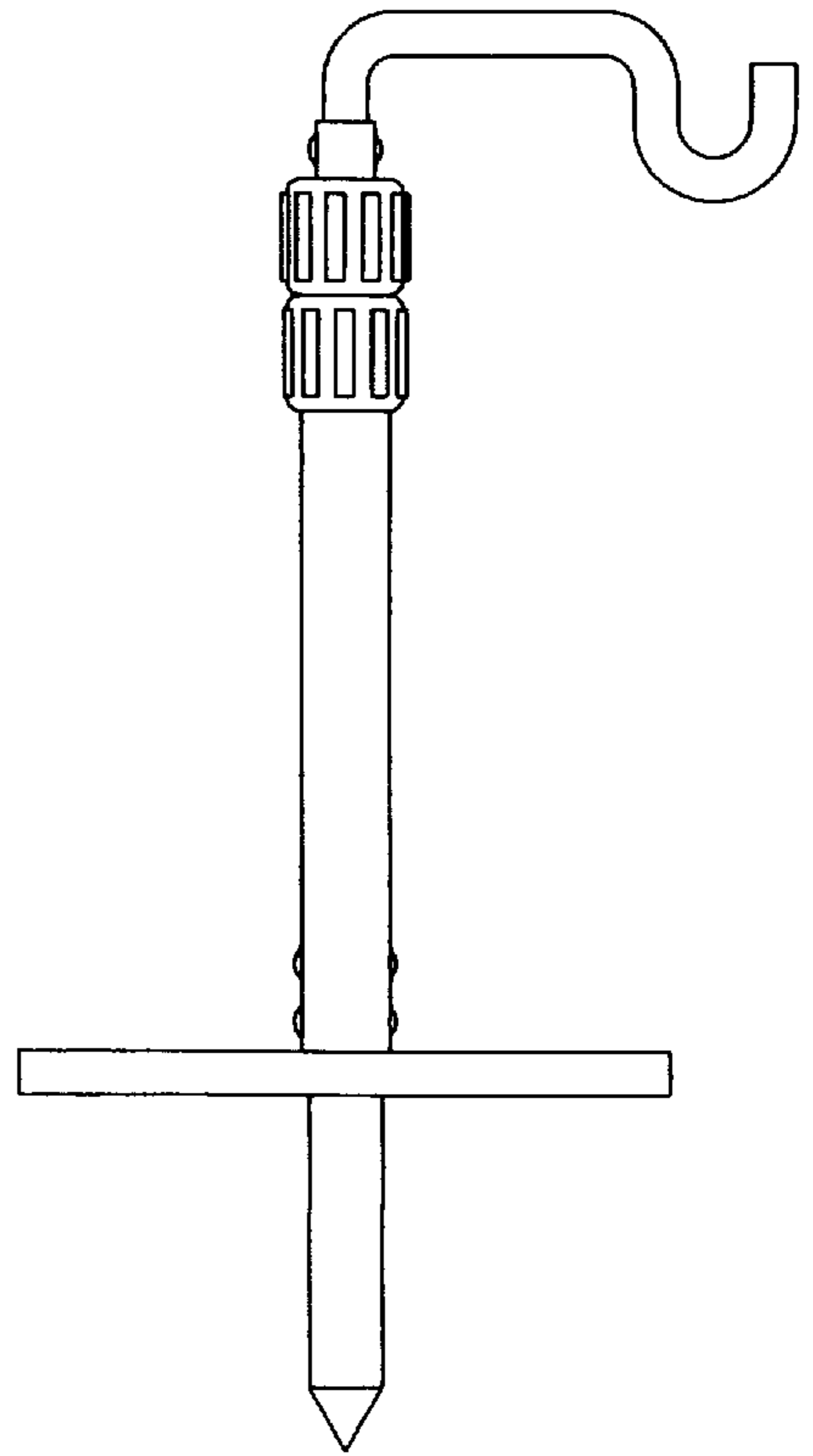


FIG. 2

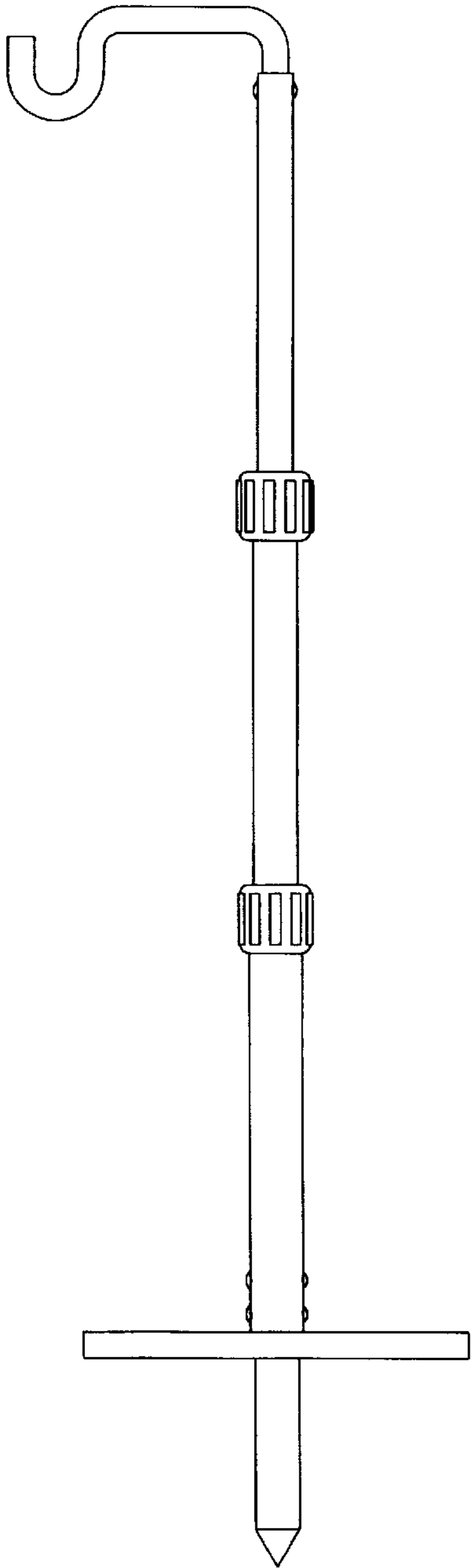


FIG. 3



FIG. 4



FIG. 5