



US00D435680S

United States Patent [19]
Hsu

[11] **Patent Number: Des. 435,680**

[45] **Date of Patent: ** Dec. 26, 2000**

[54] **TABLE LAMP**

OTHER PUBLICATIONS

[75] Inventor: **Peter Hsu**, Taichung, Taiwan

Taiwan Lighting, lamp LTS637 on p. 106, Feb. 1998.

[73] Assignee: **Whole Bright Industries Ltd.**, Chai Wan, The Hong Kong Special Administrative Region of the People's Republic of China

Primary Examiner—Alan P. Douglas
Assistant Examiner—Linda Brooks
Attorney, Agent, or Firm—Rosenberg, Klein & Lee

[**] Term: **14 Years**

[57] **CLAIM**

[21] Appl. No.: **29/123,618**

The ornamental design for a table lamp, as shown and described.

[22] Filed: **May 23, 2000**

DESCRIPTION

[51] **LOC (7) Cl.** **26-03**

FIG. 1 is a perspective view of a table lamp showing my new design;

[52] **U.S. Cl.** **D26/112**

FIG. 2 is a front elevation view thereof;

[58] **Field of Search** D26/93-112; 362/46-414

FIG. 3 is a rear elevation view thereof;

FIG. 4 is a left side elevation view thereof;

FIG. 5 is a right side elevation view thereof;

FIG. 6 is a top plan view thereof; and,

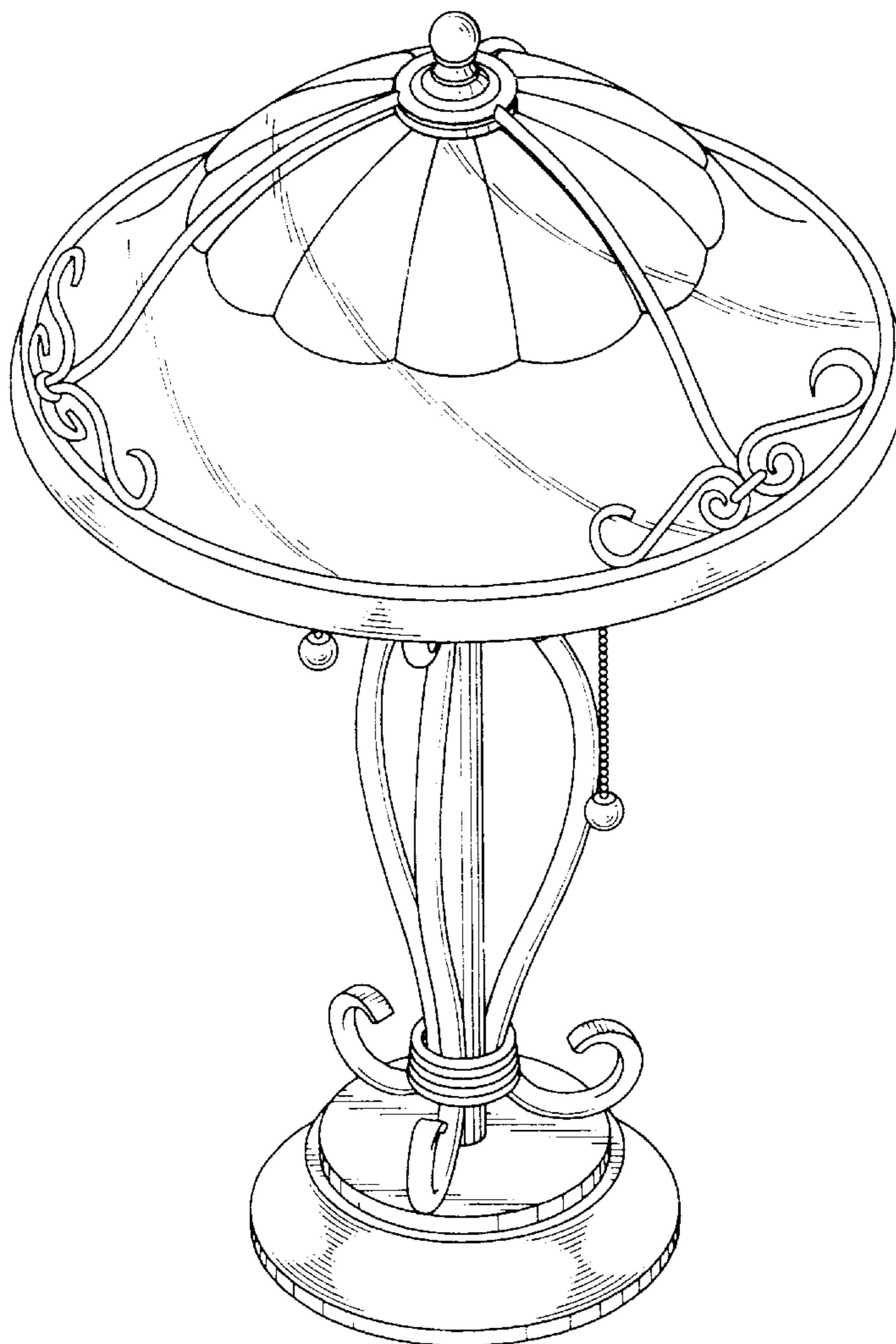
FIG. 7 is a bottom plan view thereof.

[56] **References Cited**

U.S. PATENT DOCUMENTS

- D. 356,182 3/1995 Benghozi D26/111
- D. 385,649 10/1997 Yeh D26/112
- D. 394,326 5/1998 Littman et al. D26/106

1 Claim, 4 Drawing Sheets



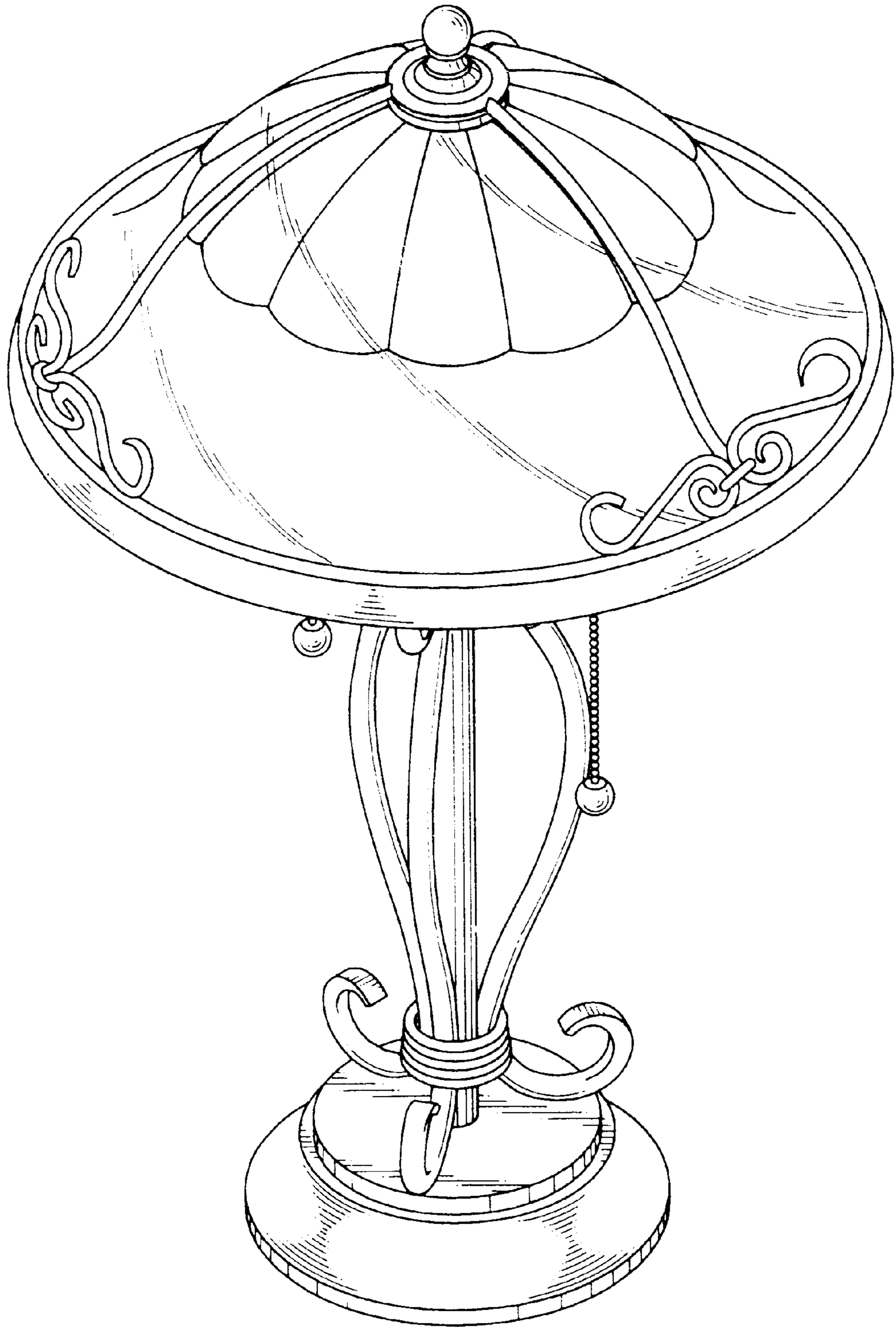


FIG. 1

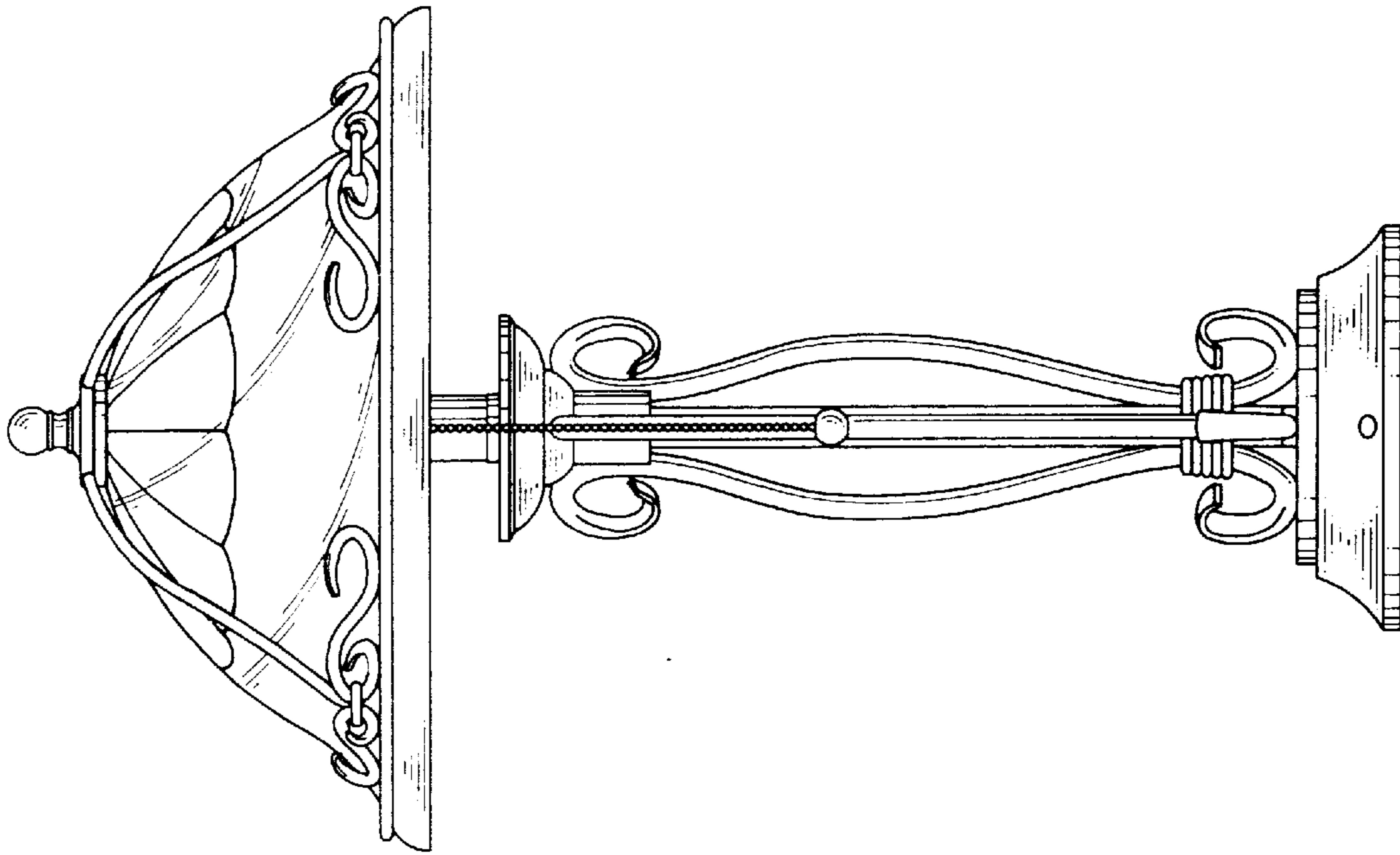


FIG. 3

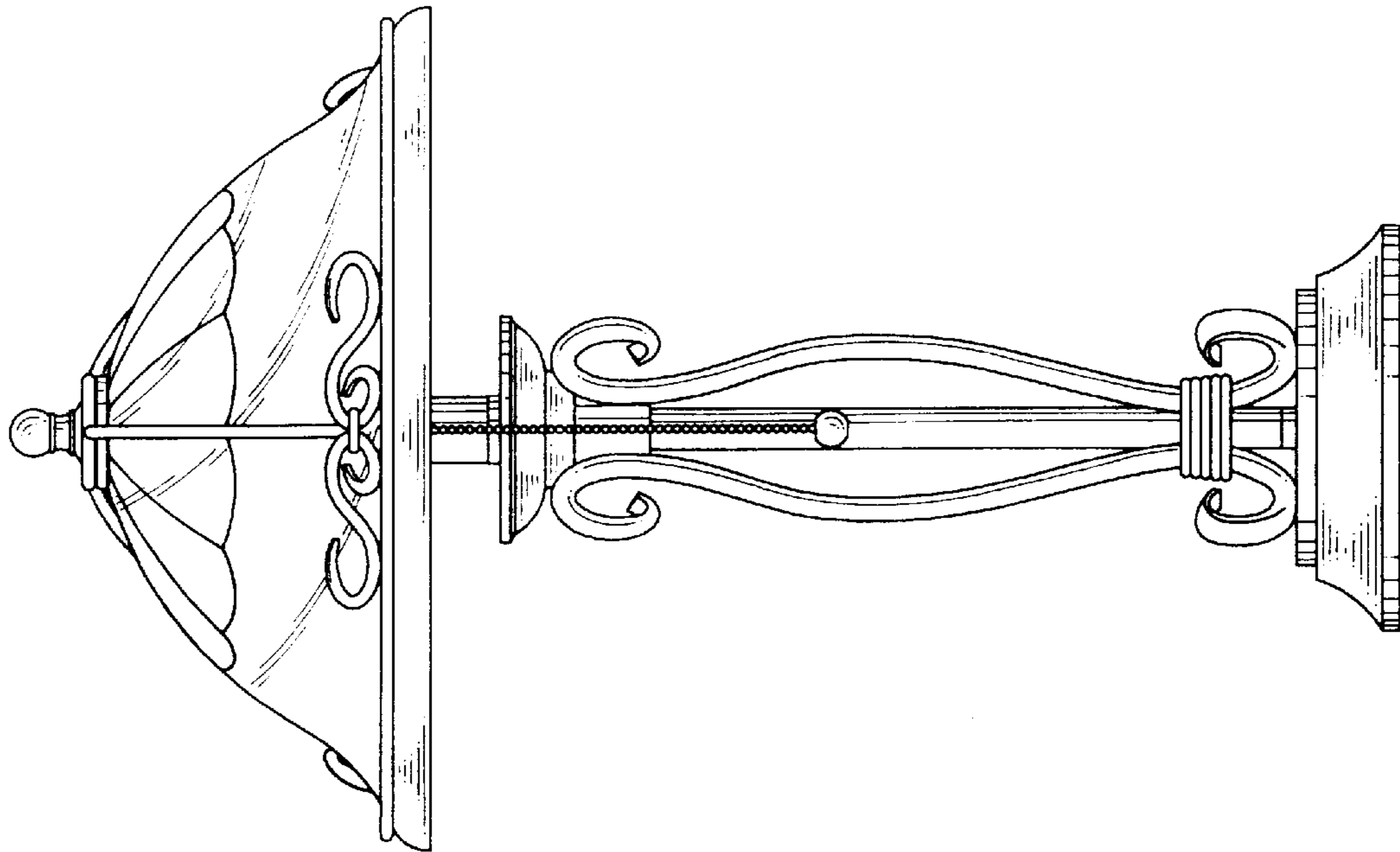


FIG. 2

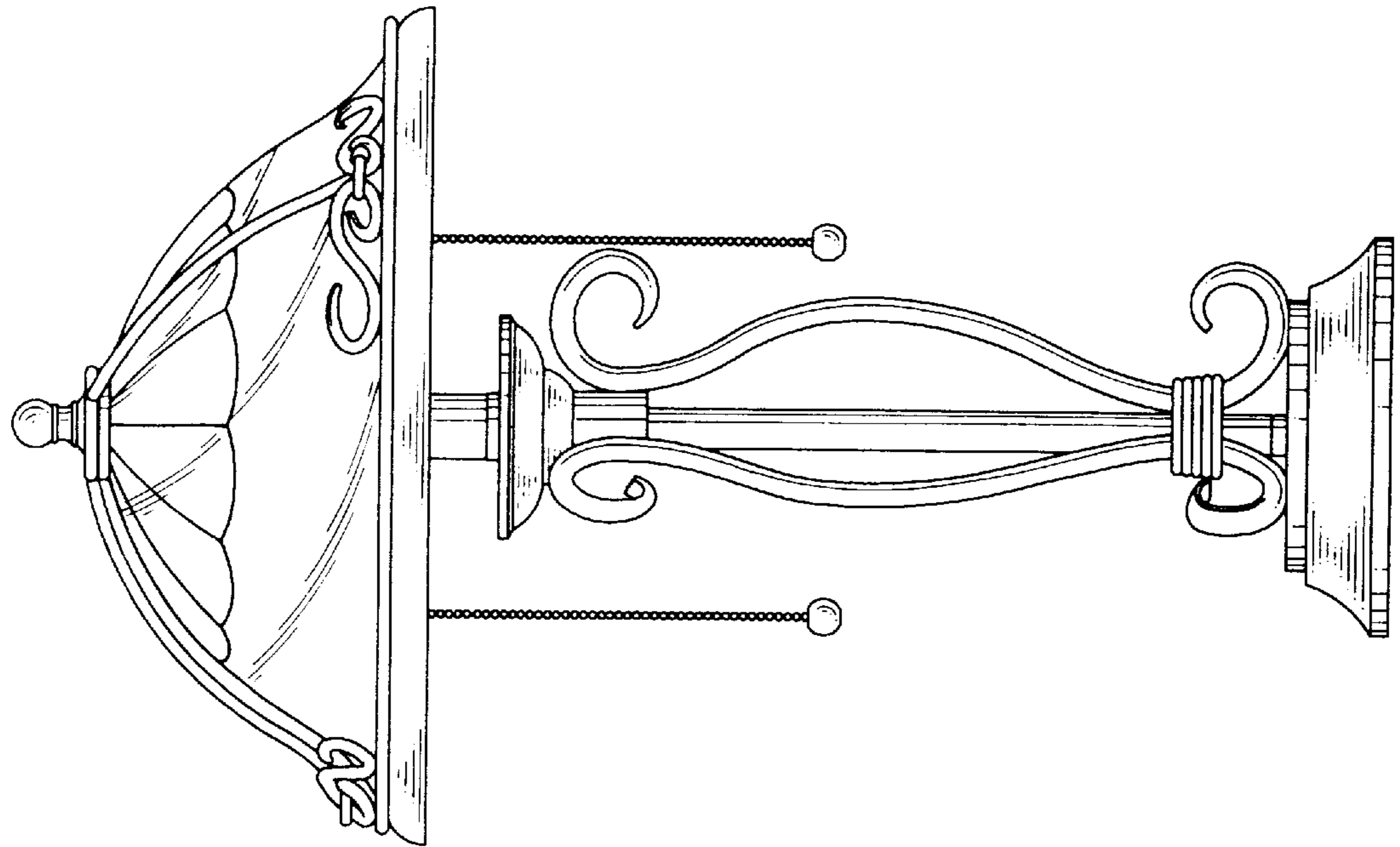


FIG. 5

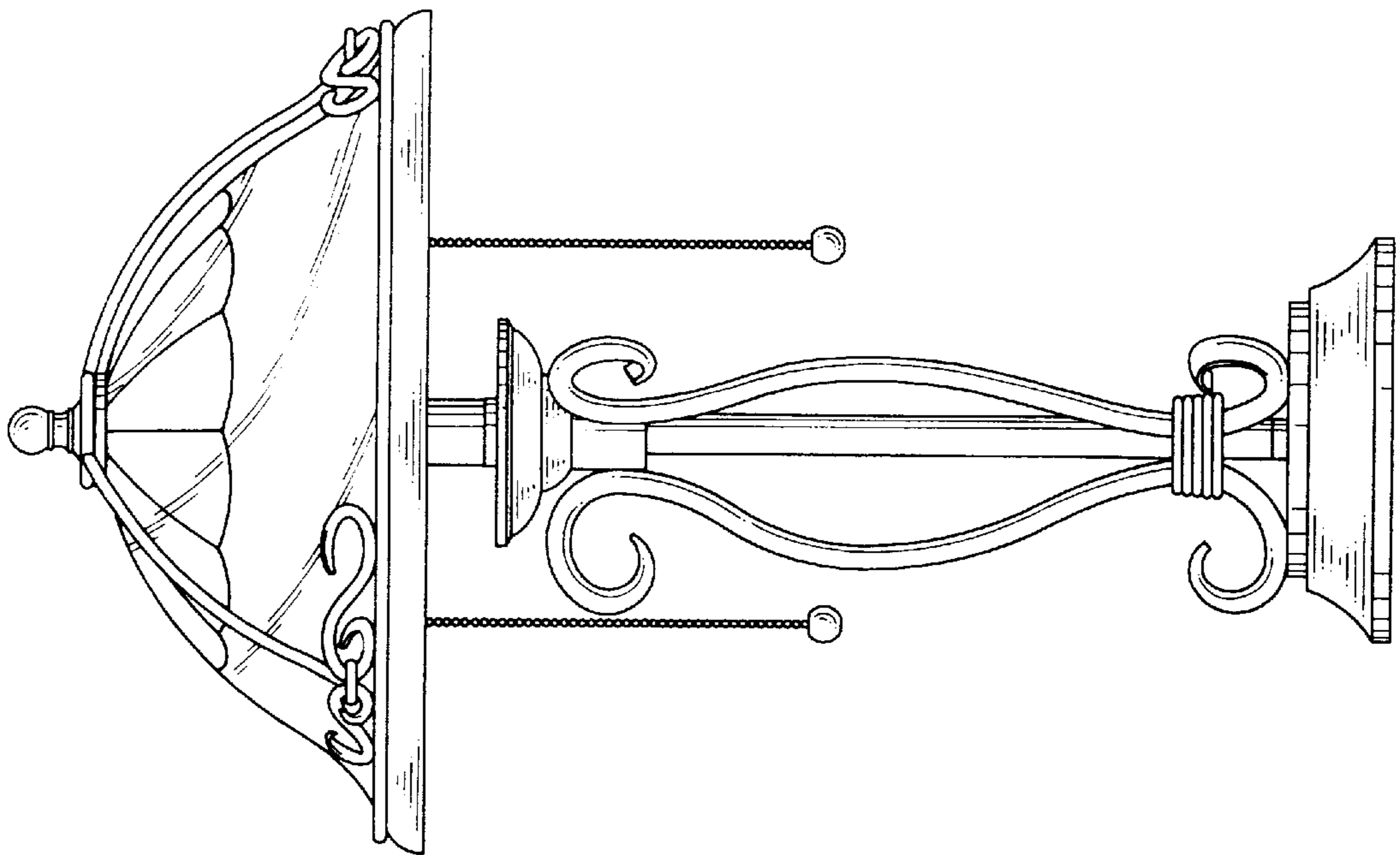


FIG. 4

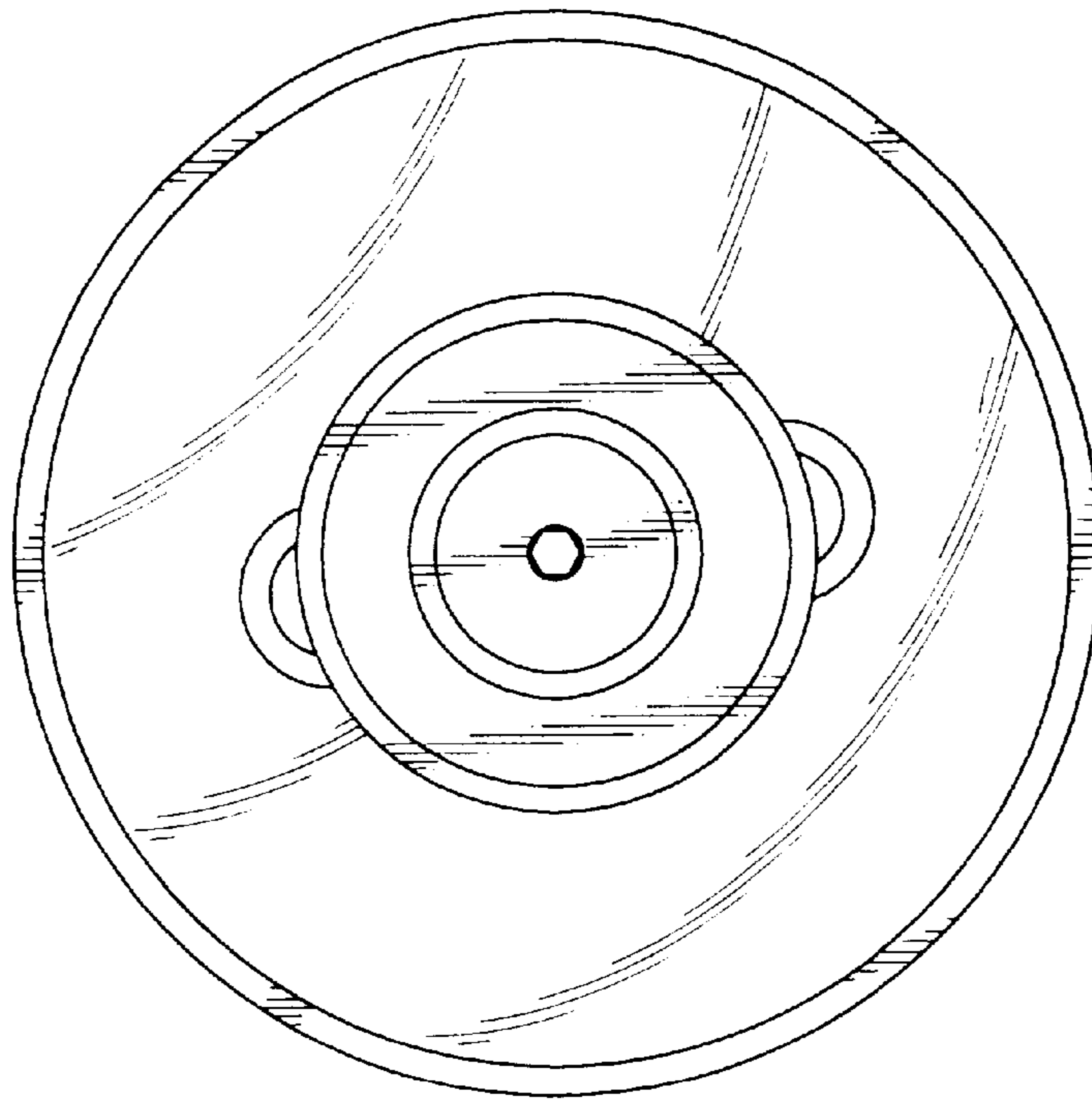


FIG. 7

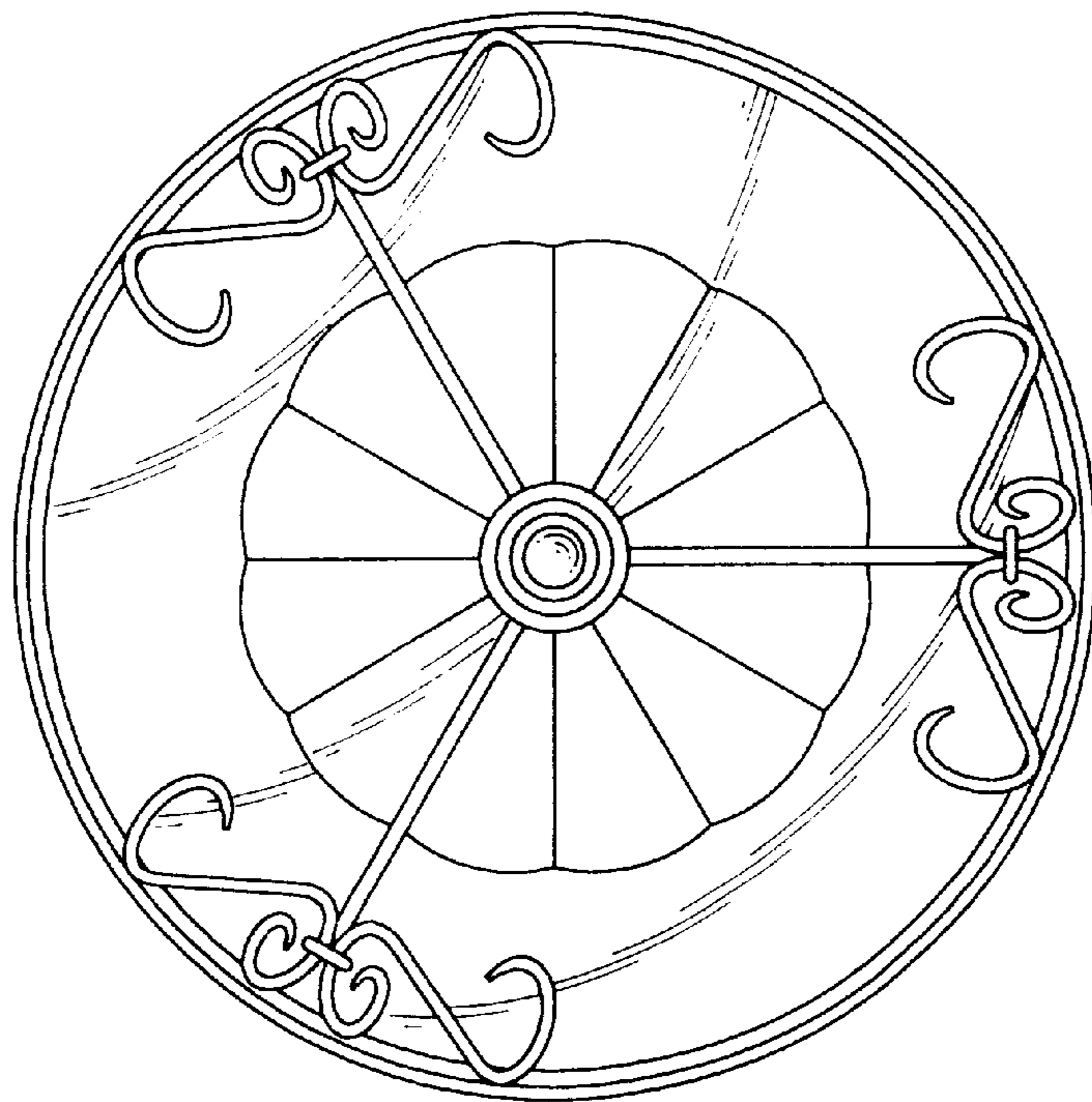


FIG. 6