



US00D435678S

United States Patent [19] Bowman

[11] Patent Number: **Des. 435,678**

[45] Date of Patent: **** *Dec. 26, 2000**

[54] ORNATE TABLE LAMP

[76] Inventor: **Benjamin G. Bowman**, 35-53 12th St., Long Island City, N.Y. 11106

[*] Notice: This patent is subject to a terminal disclaimer.

[**] Term: **14 Years**

[21] Appl. No.: **29/077,331**

[22] Filed: **Sep. 30, 1997**

[51] LOC (7) Cl. **26-05**

[52] U.S. Cl. **D26/94; D11/571; D26/108**

[58] Field of Search D26/93, 102-112, D26/94; 362/410, 411, 412, 413, 414, 806; D9/571, 544, 567, 565, 556

[56] References Cited

U.S. PATENT DOCUMENTS

D. 15,213	8/1884	Miller	D9/544
D. 345,923	4/1994	Clincy	D26/111 X
D. 367,011	2/1996	Lilly et al.	D9/556 X
D. 382,667	8/1997	Buhrfiend et al.	D26/94
5,010,460	4/1991	Lin	362/411 X
5,121,313	6/1992	Chang	362/412

OTHER PUBLICATIONS

Home Lighting and Accessories, p. 108, combined lamp and basket base, Jan. 1996.

Primary Examiner—Susan J. Lucas

[57] CLAIM

The ornamental design for a ornate table lamp, as shown.

DESCRIPTION

FIG. 1 is a front elevational view of the ornate table lamp of the present invention;

FIG. 2 is a back elevational view of the ornate table lamp of FIG. 1;

FIG. 3 is a left side elevational view of the ornate table lamp of FIG. 1;

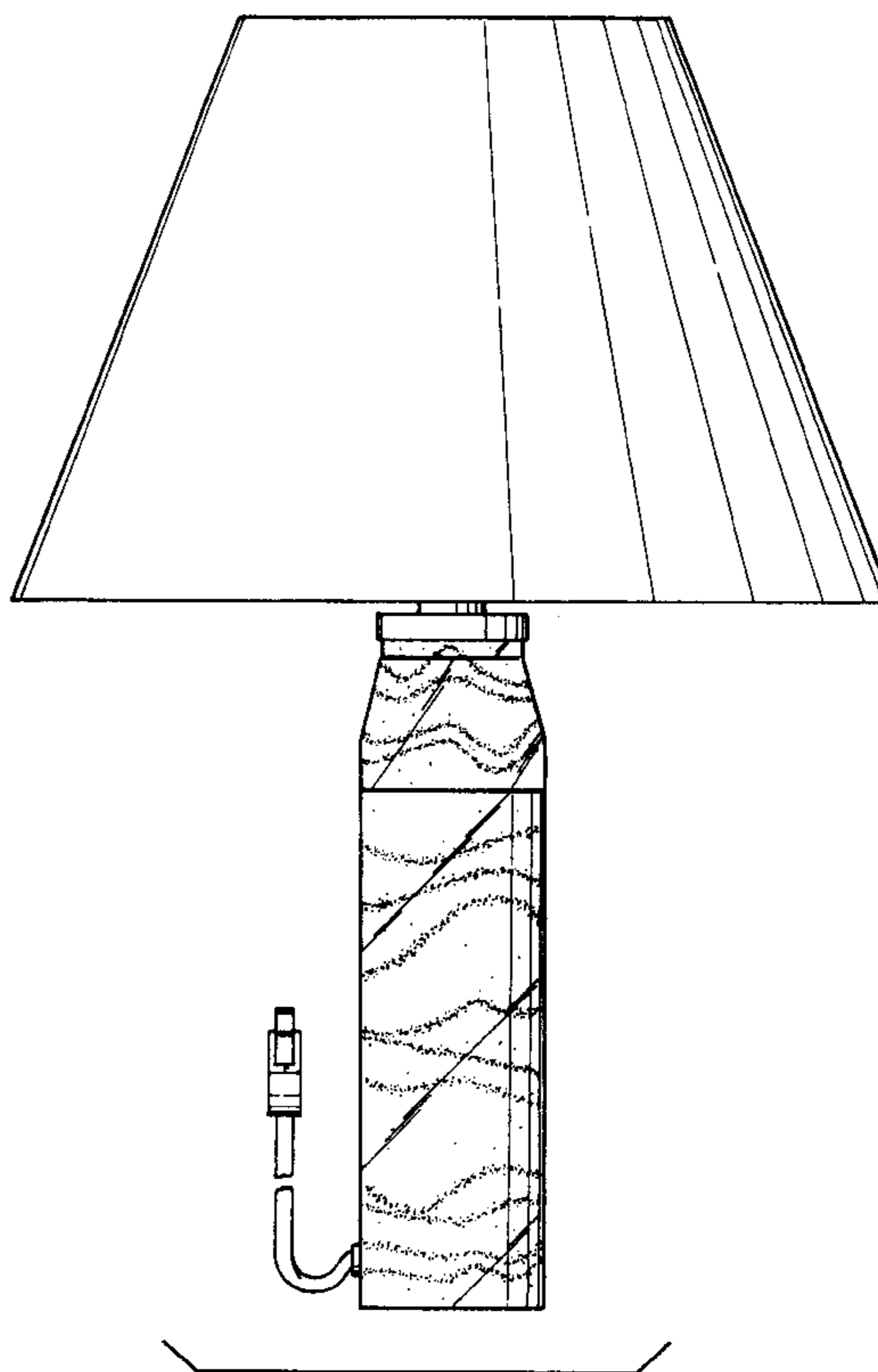
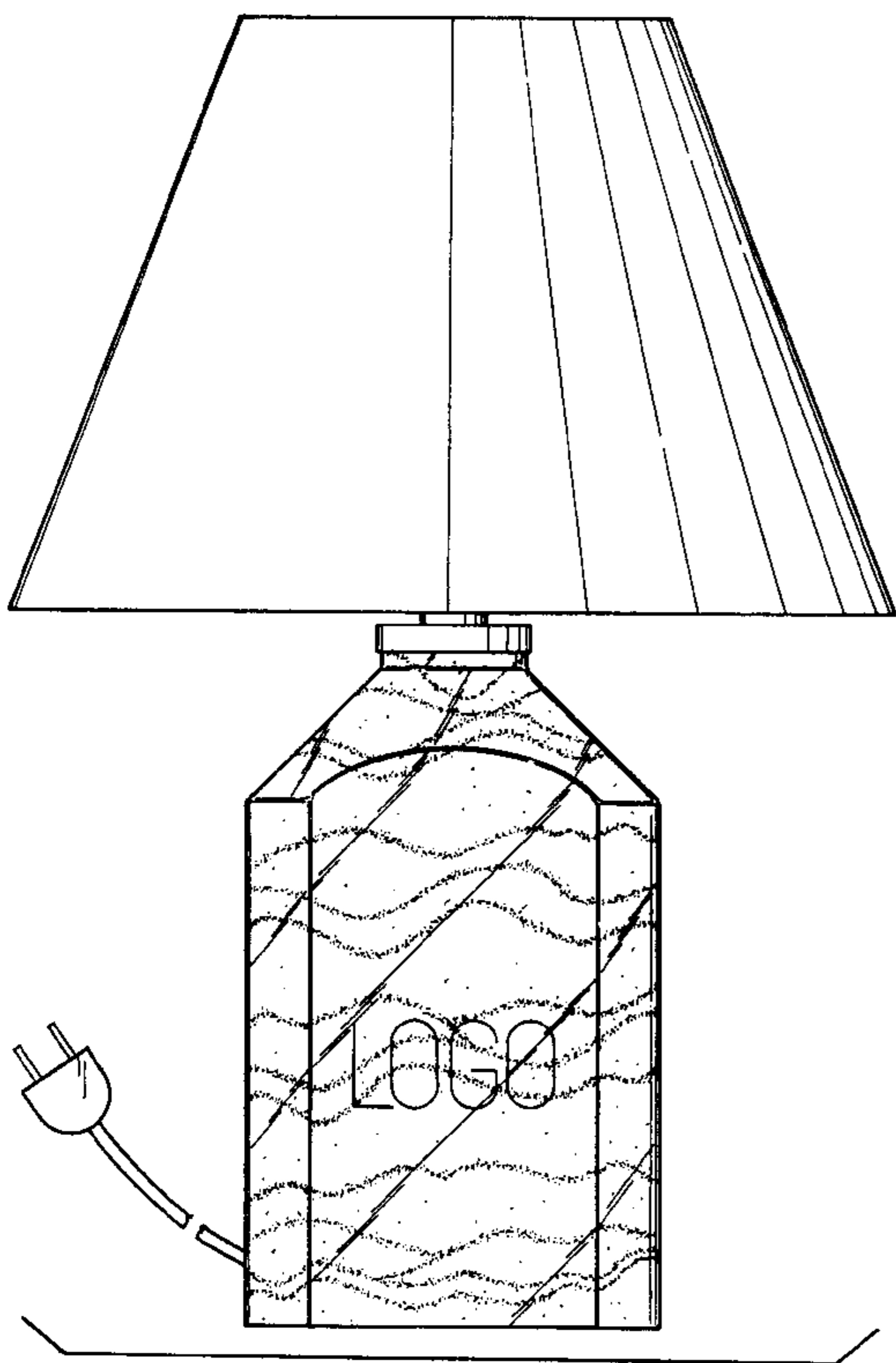
FIG. 4 is a right side elevational view of the ornate table lamp of FIG. 1;

FIG. 5 is a top plan view of the ornate table lamp of FIG. 1; and,

FIG. 6 is a bottom plan view of the ornate table lamp of FIG. 1.

The electric cord is broken away to indicate indeterminate length.

1 Claim, 3 Drawing Sheets



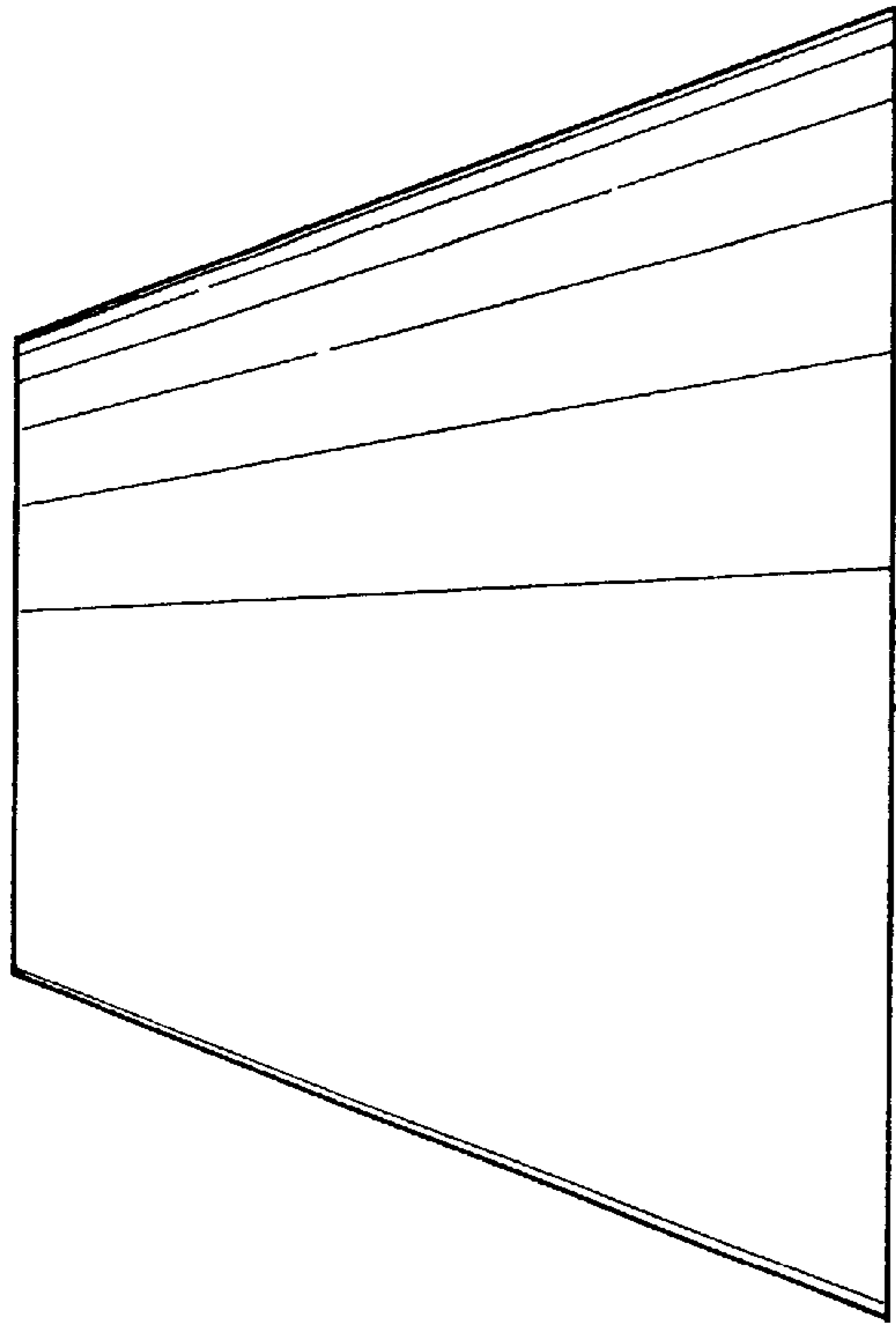


FIG. 1

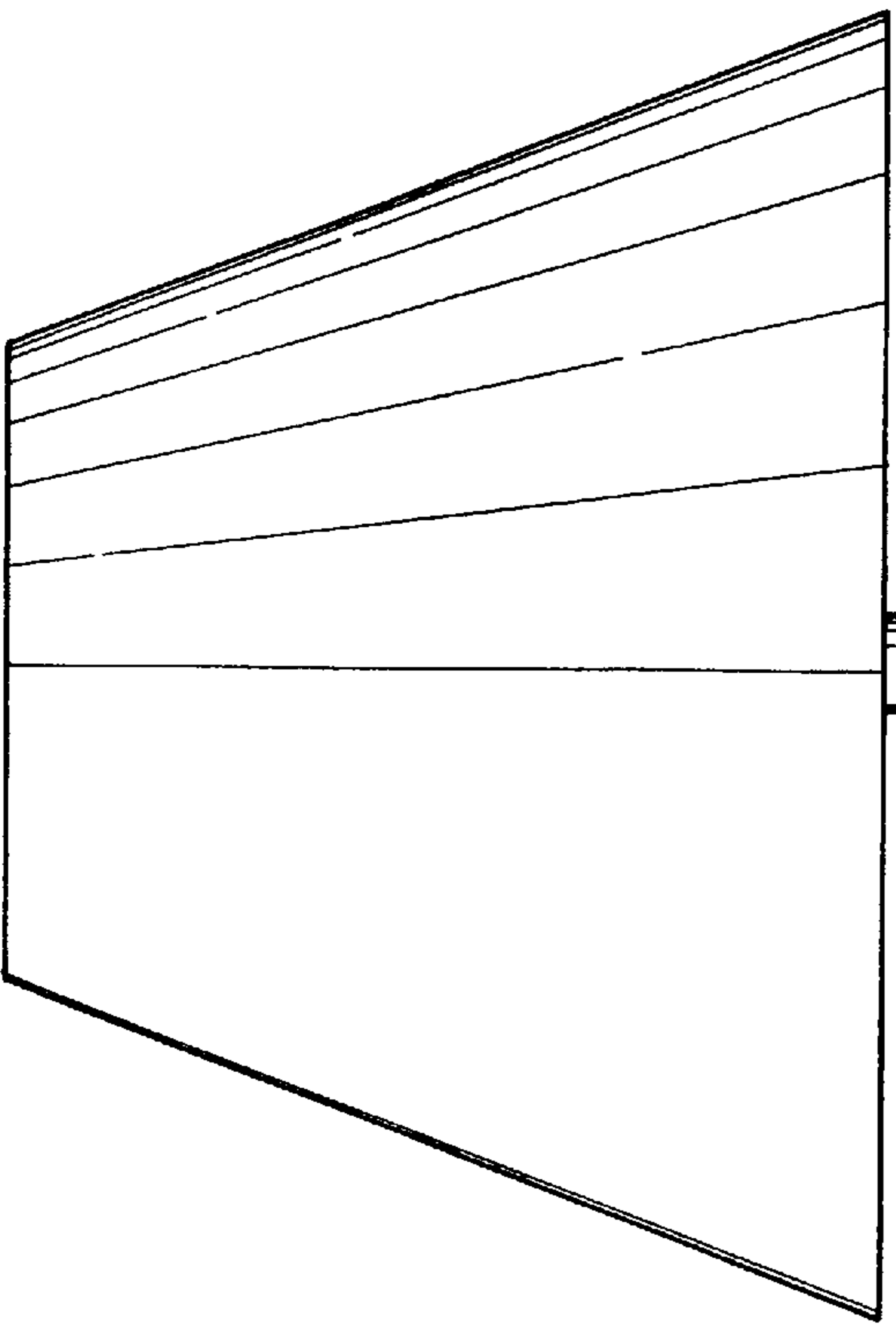
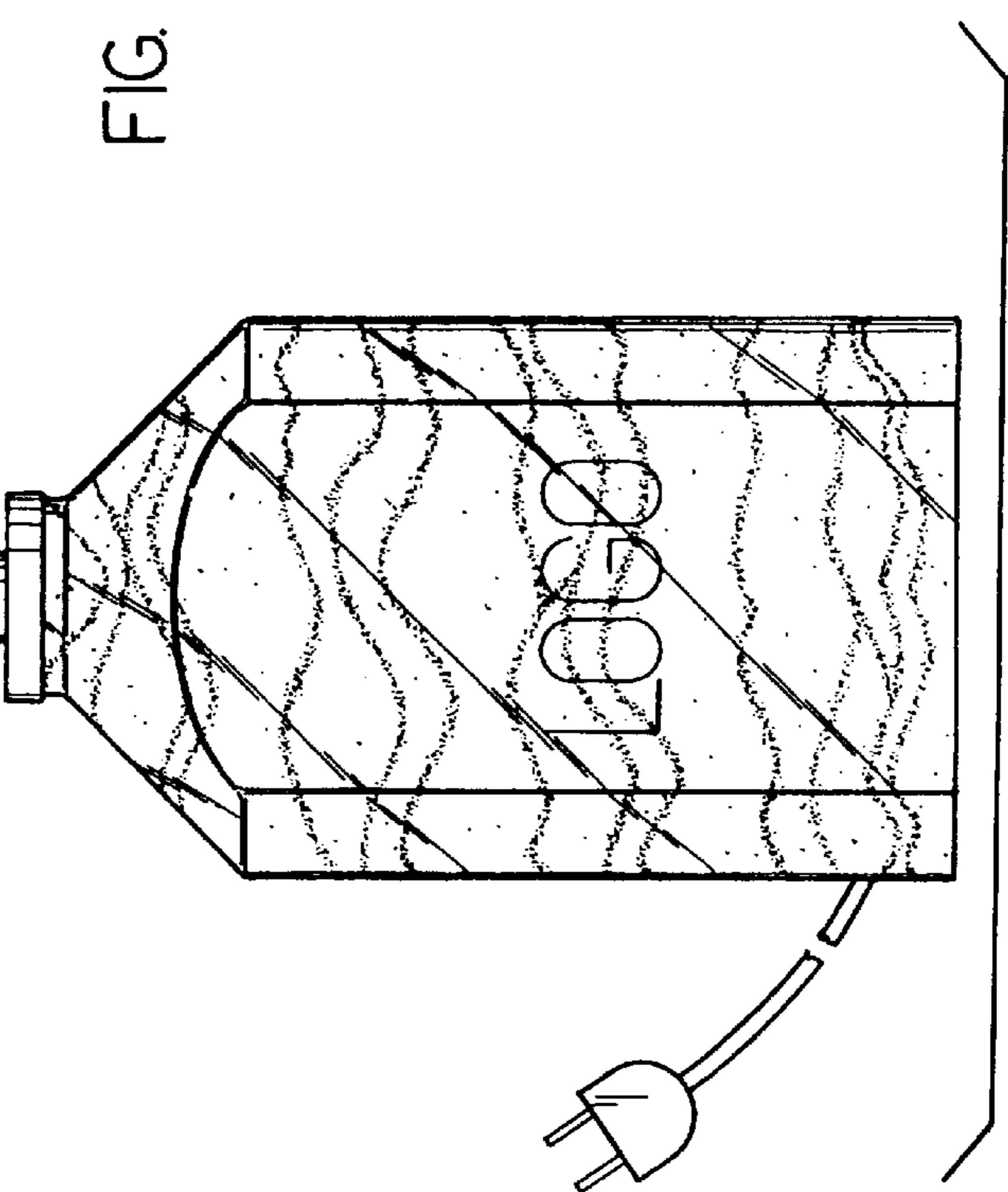
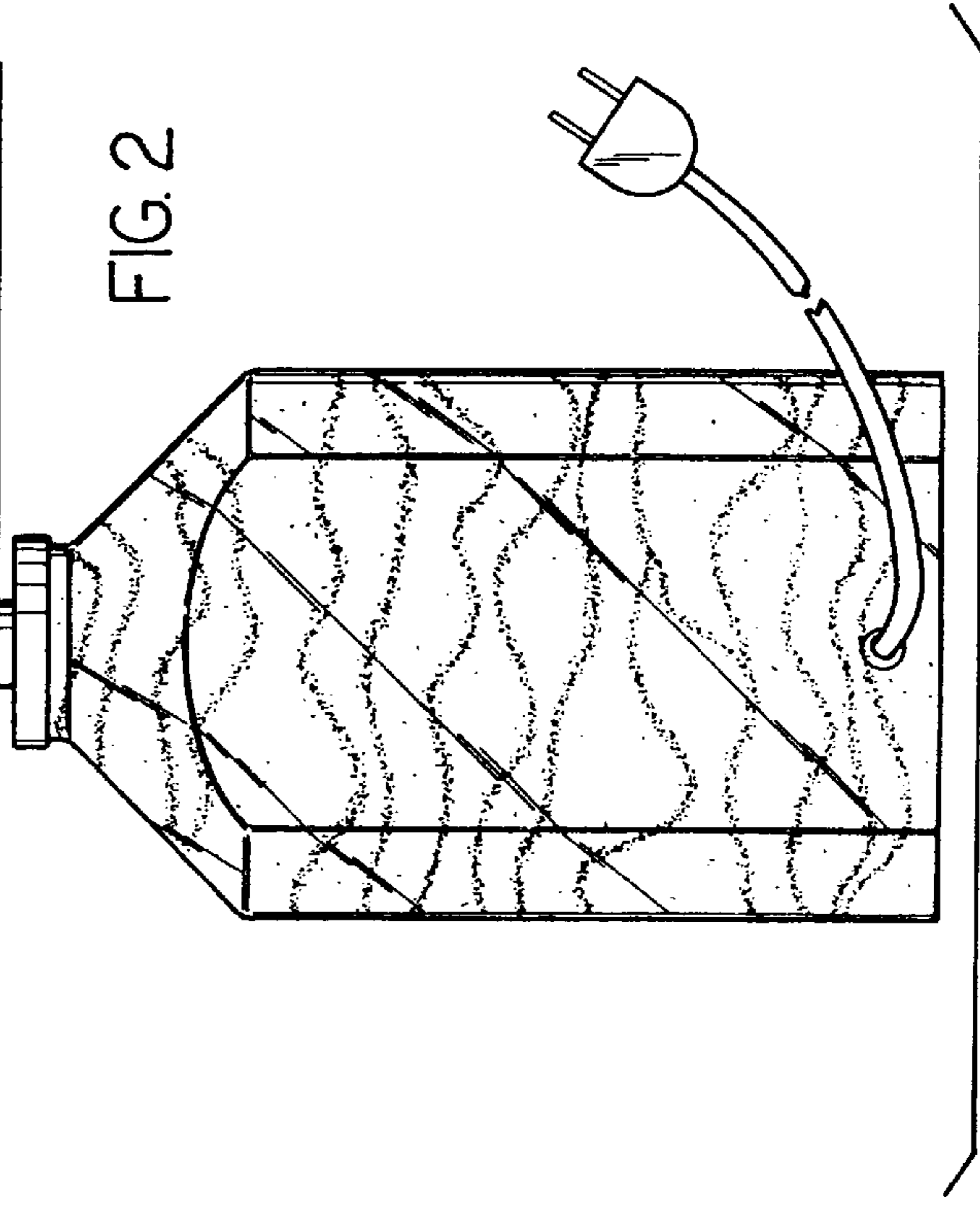


FIG. 2



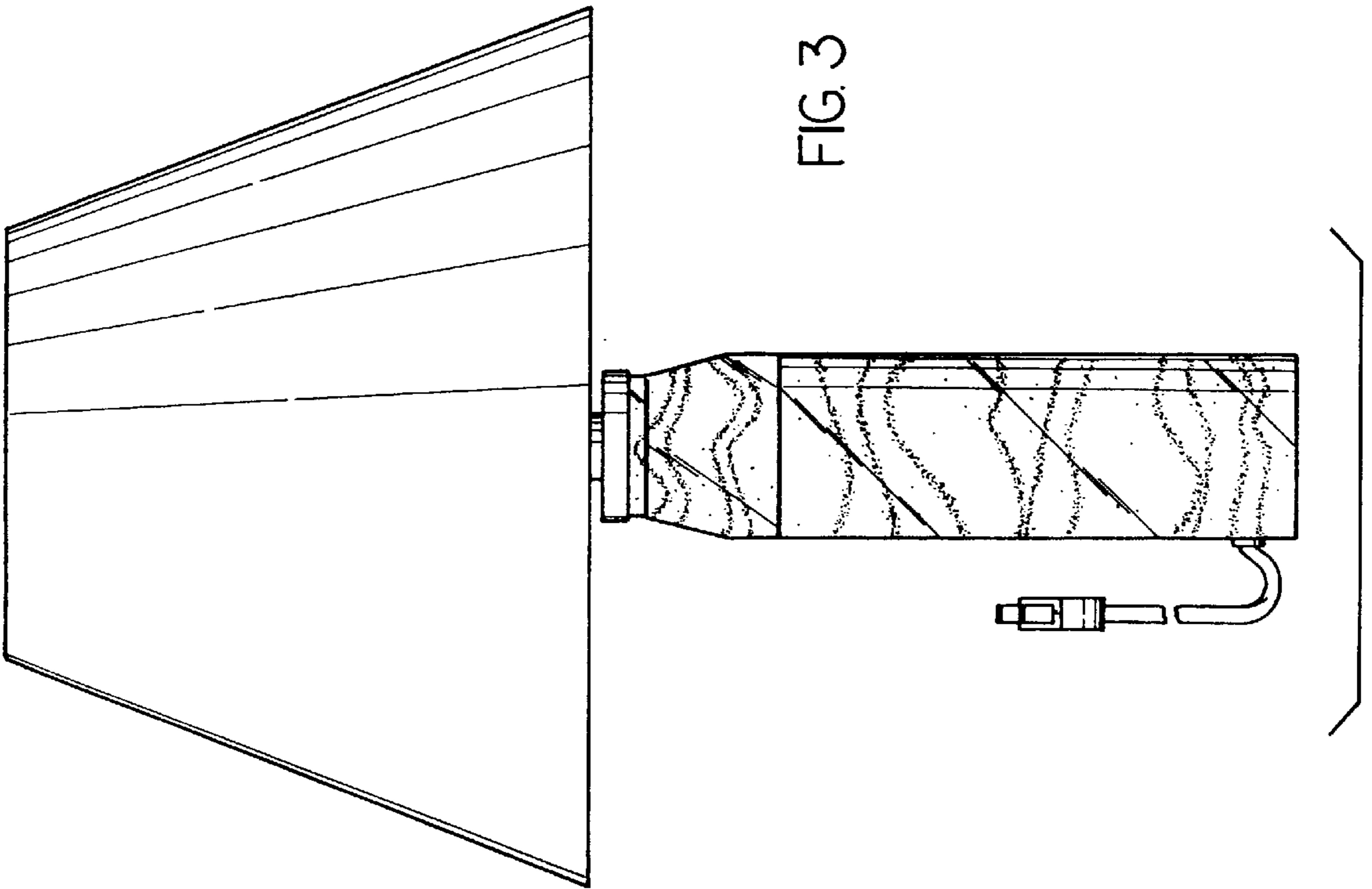
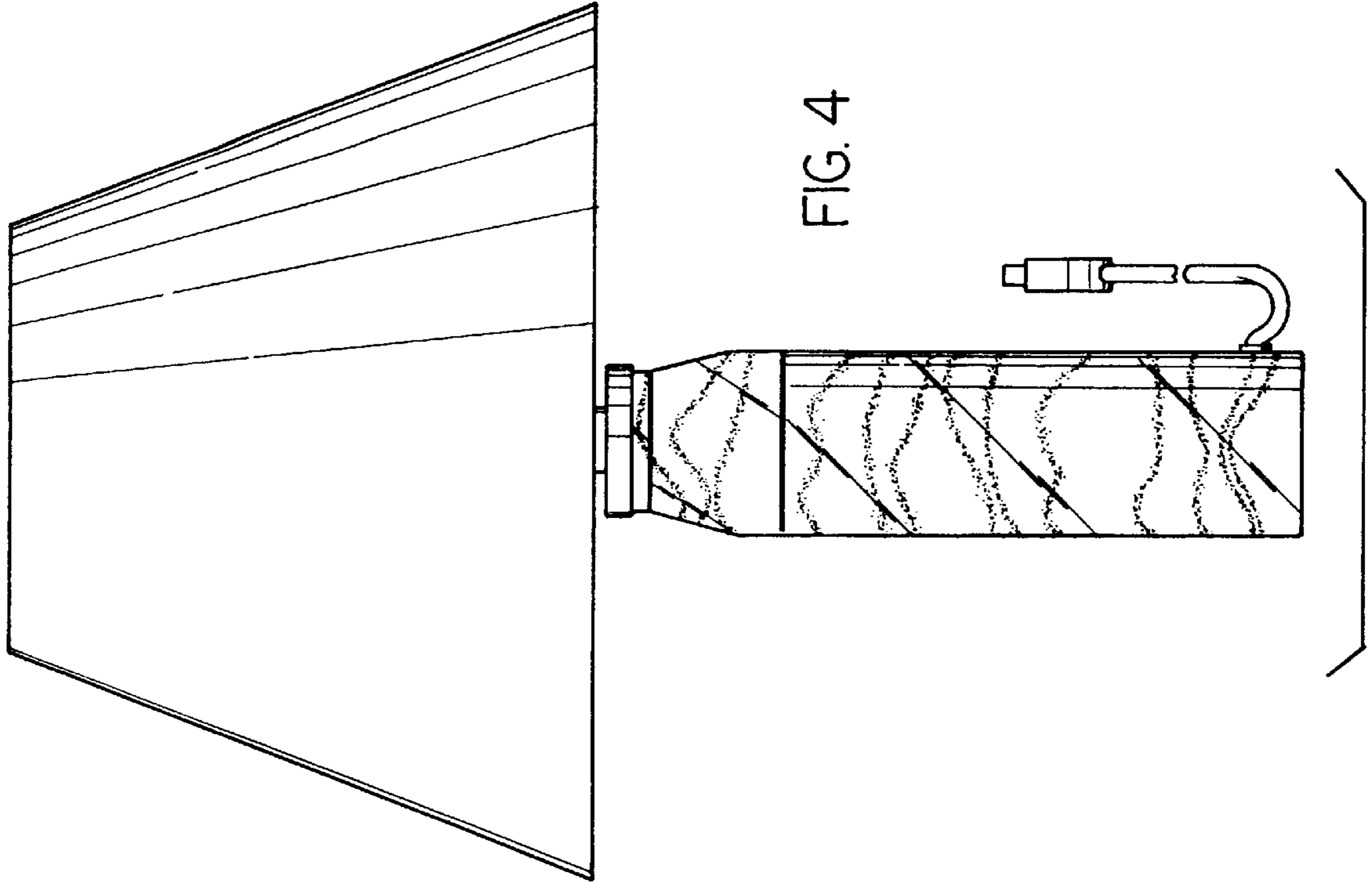


FIG. 6

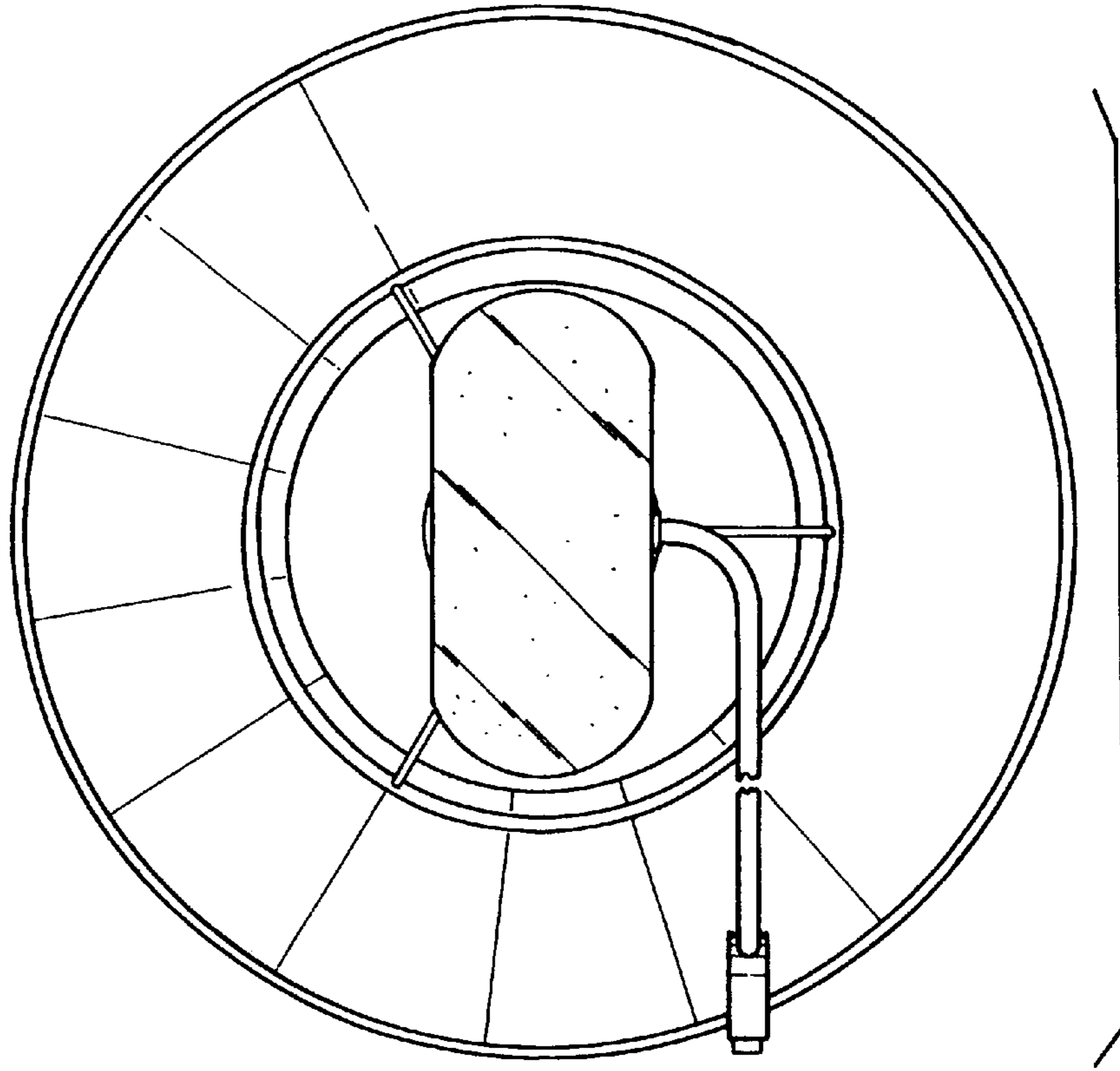


FIG. 5

