



US00D435676S

# United States Patent [19]

Squillante et al.

[11] Patent Number: **Des. 435,676**

[45] Date of Patent: **\*\* Dec. 26, 2000**

[54] FLASHLIGHT BODY

D. 417,022 11/1999 Chiu ..... D26/49  
D. 421,657 3/2000 Siebert ..... D26/37

[76] Inventors: **Michael Jon Squillante**, 1353 Unter Ave. NW., Palm Bay, Fla. 32907; **Oscar Michener Fell**, 64 Yacht Haven Dr., Cocoa Beach, Fla. 32931

*Primary Examiner*—Marcus A. Jackson

[\*\*] Term: **14 Years**

## [57] CLAIM

The ornamental design for the flashlight body, as shown and described.

[21] Appl. No.: **29/122,534**

## DESCRIPTION

[22] Filed: **Apr. 28, 2000**

FIG. 1 is a top, front, left side perspective view of the embodiment of the invention;  
FIG. 2 is a top, rear, right side perspective view thereof;  
FIG. 3 is a left elevation view thereof;  
FIG. 4 is a right elevation view thereof;  
FIG. 5 is a top elevation view thereof;  
FIG. 6 is a bottom elevation view thereof;  
FIG. 7 is a front elevation view thereof; and,  
FIG. 8 is a rear elevation view thereof.

[51] LOC (7) Cl. .... **26-02**

[52] U.S. Cl. .... **D26/37**

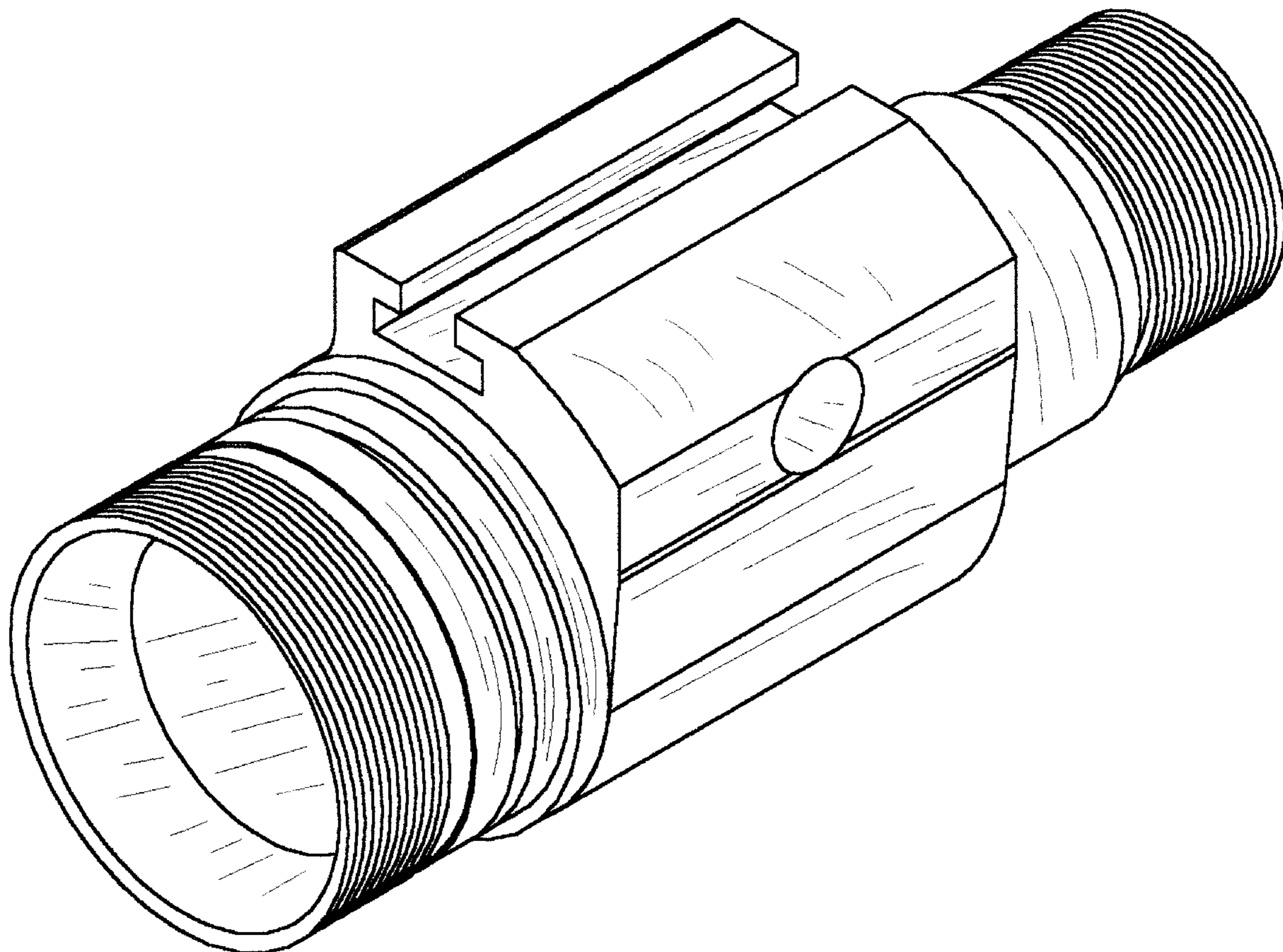
[58] Field of Search ..... D26/37-50; 362/157, 362/158, 183-208

## [56] References Cited

### U.S. PATENT DOCUMENTS

D. 376,439 12/1996 Chai ..... D26/37  
D. 385,636 10/1997 Chen ..... D26/37

**1 Claim, 8 Drawing Sheets**



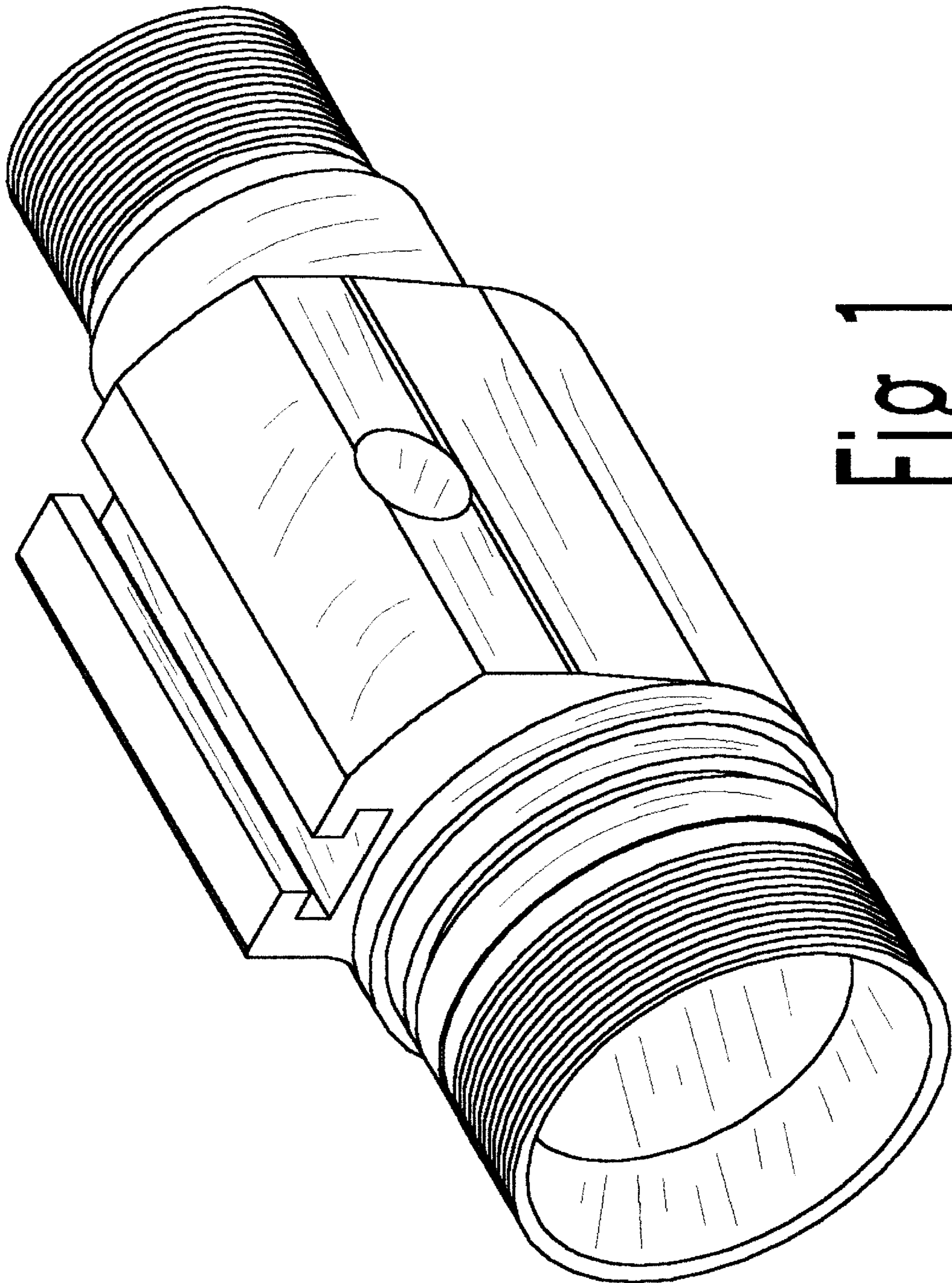


Fig. 1

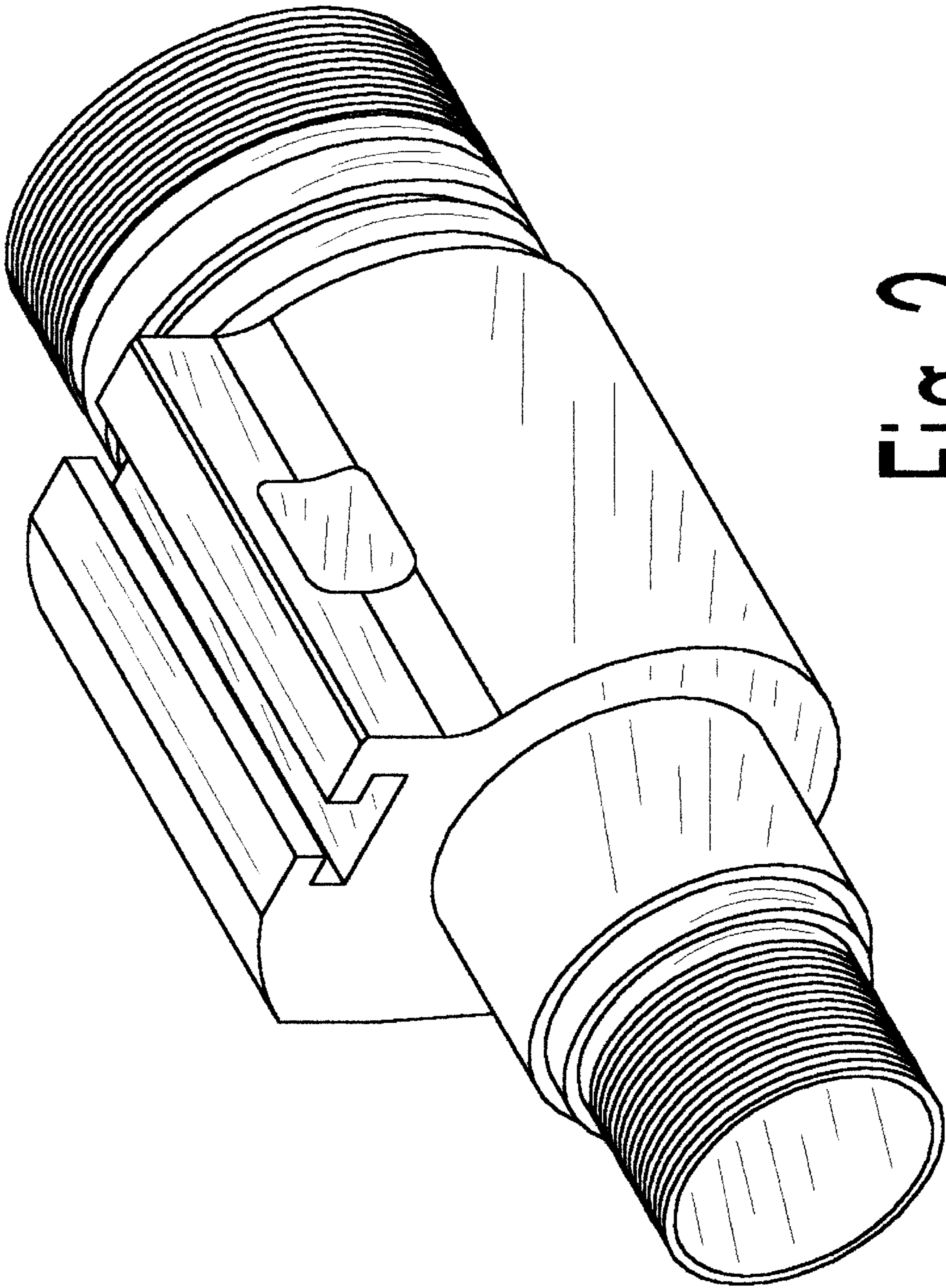


Fig. 2

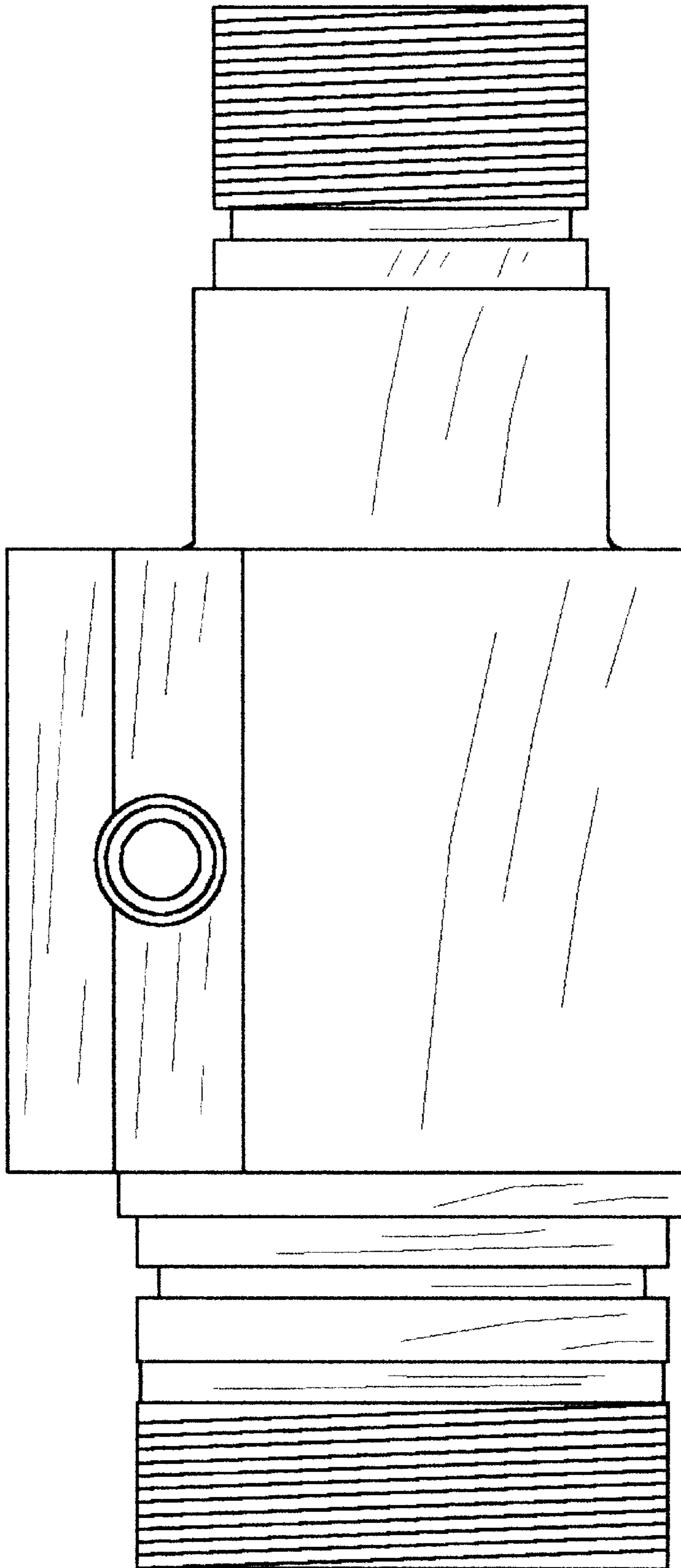


Fig. 3

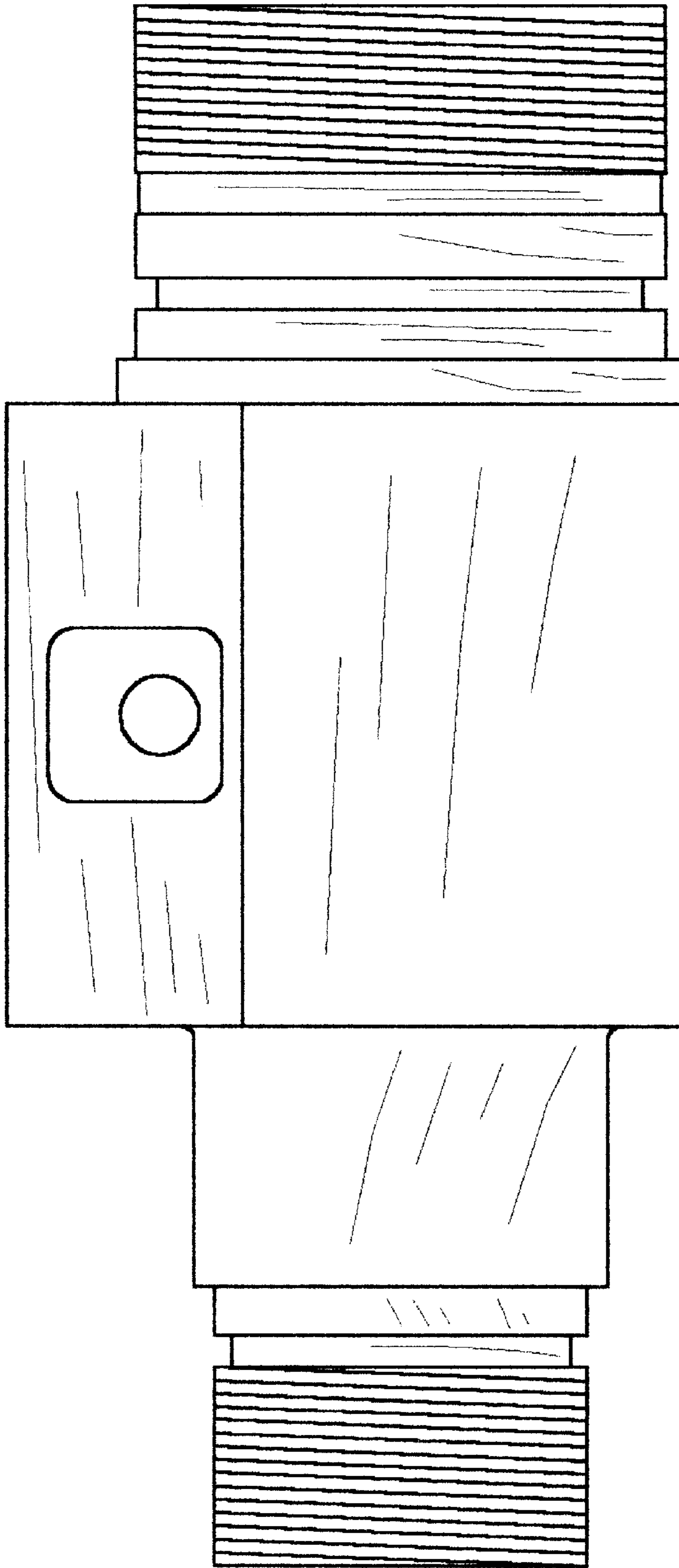


Fig. 4

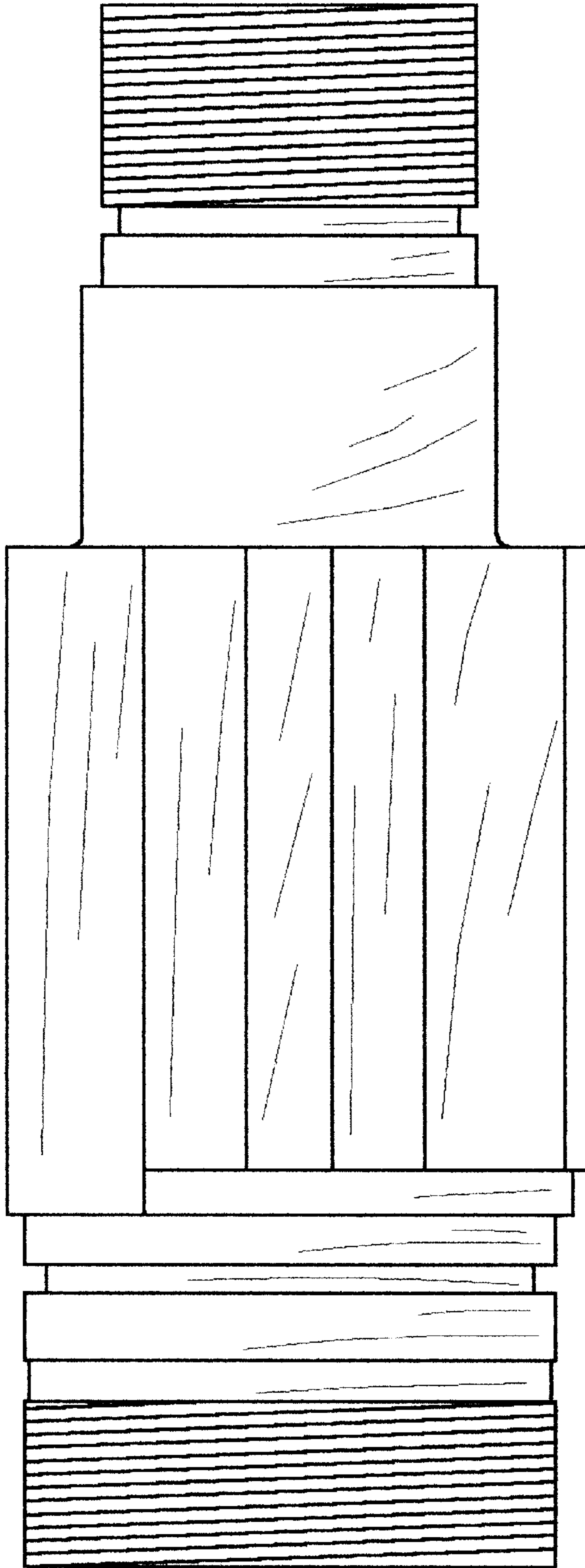


Fig. 5

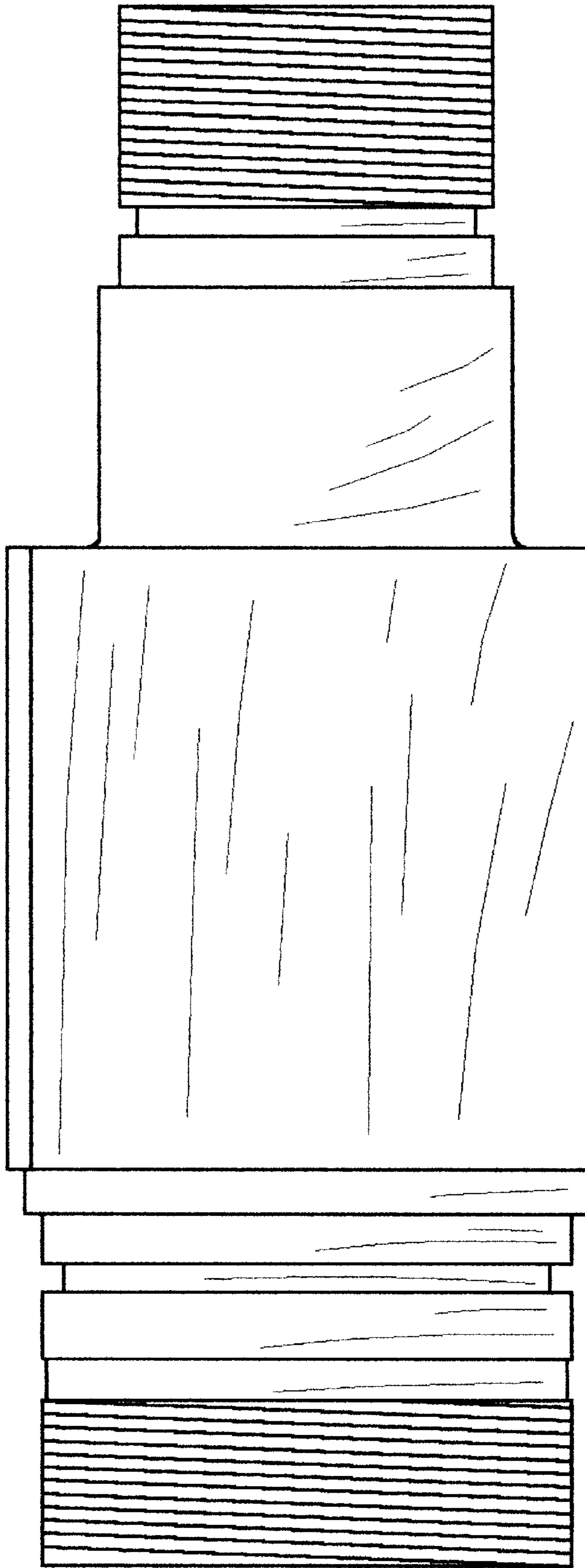


Fig. 6

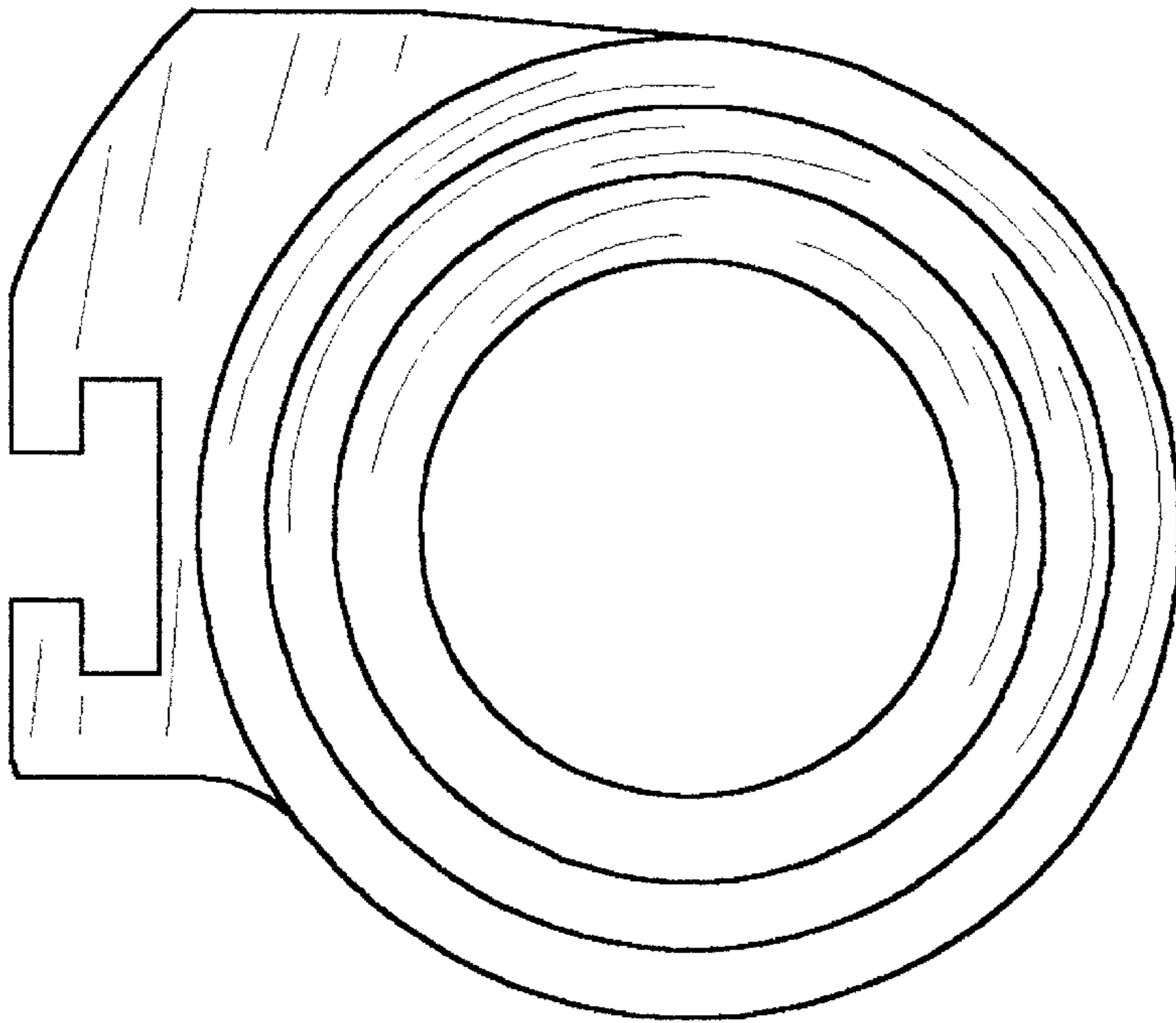


Fig. 7



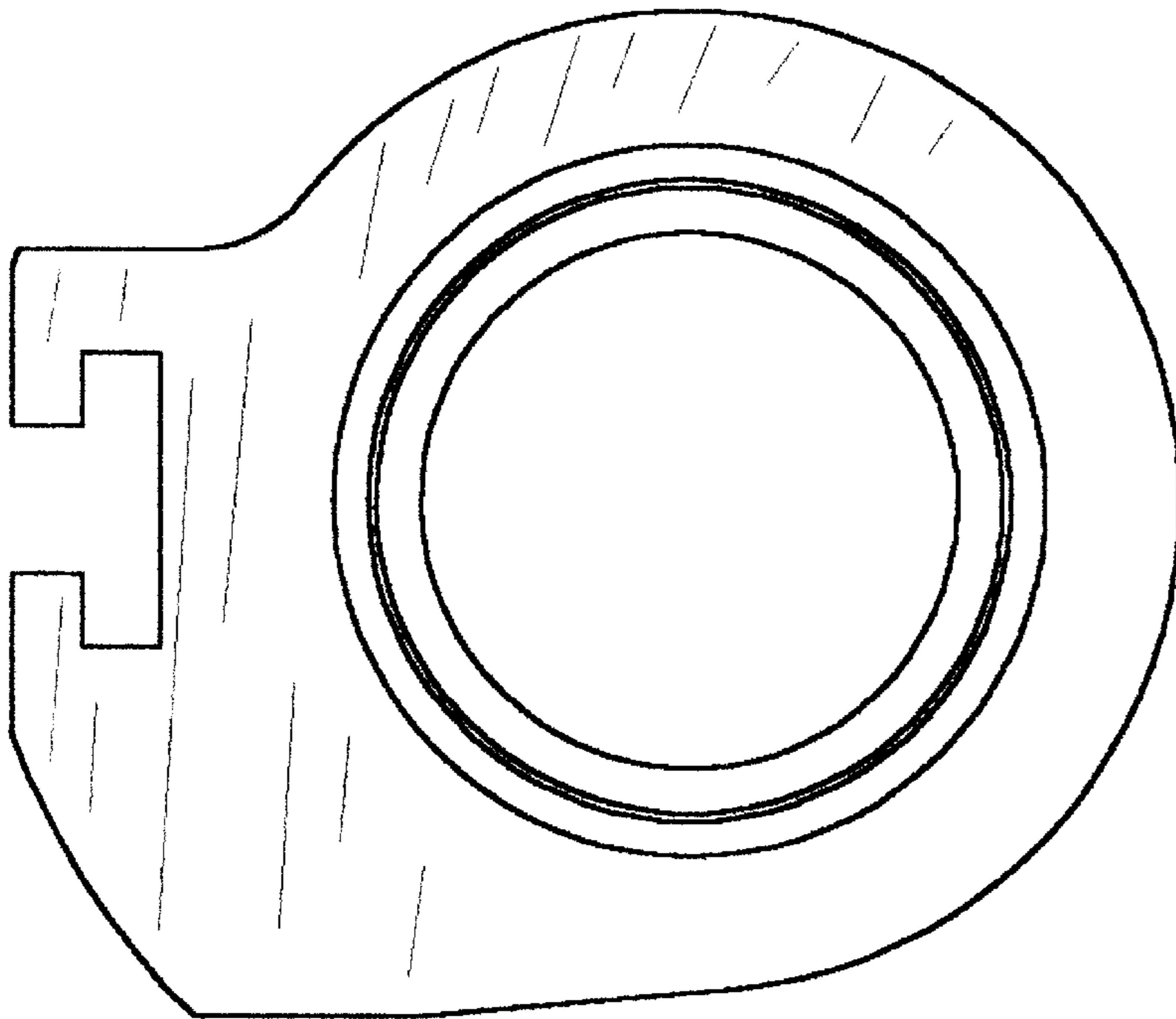


Fig. 8