



US00D435672S

United States Patent [19] Hampel

[11] **Patent Number: Des. 435,672**

[45] **Date of Patent: ** Dec. 26, 2000**

[54] **RESIN STRUCTURE ROOF SECTION**

[76] Inventor: **Lance T. Hampel**, 5678 W. Big Portage Lake Rd., Land O'Lakes, Wis. 54540

[**] Term: **14 Years**

[21] Appl. No.: **29/115,421**

[22] Filed: **Dec. 14, 1999**

Related U.S. Application Data

[63] Continuation of application No. 29/085,244, Mar. 19, 1998.

[51] **LOC (7) Cl.** **25-01**

[52] **U.S. Cl.** **D25/139**

[58] **Field of Search** 52/41-44, 575;
D25/139

[56] References Cited

U.S. PATENT DOCUMENTS

D. 267,904	2/1983	Hampel et al.	D30/1
D. 267,905	2/1983	Keith	D30/1
D. 363,367	10/1995	Hampel	D30/108
1,676,385	7/1928	Colwell	52/575

OTHER PUBLICATIONS

Applicant's Ex. 1—"CALF-tel comfort hutches" Brochure of Hampel Corp., P.O. Box 39, Germantown, WI 53022, dated 1992.

Applicant's Ex. 2—Page including four ads of EZ Hutch, Kettlersville, OH, published at: Agribusiness, Jun. 1995; Farmers Hotline, Dec./Jan. 1996; Farmers Hotline, Mar./Apr. 1996; Agribusiness; Apr. 1996.

Applicant's Ex. 3—Ad of PolyDome, 62824 250th Street, Litchfield, MN, published in Dec 5, 1997 Capitol Press Livestock Edition.

Primary Examiner—Doris Clark

Attorney, Agent, or Firm—Quarles & Brady LLP

[57] CLAIM

The ornamental design for a resin structure roof section, as shown and described.

DESCRIPTION

FIG. 1 is a perspective view of a resin structure roof section showing my new design;

FIG. 2 is a front view thereof, the back view being identical; FIG. 3 is a right side view thereof, the left side view being identical;

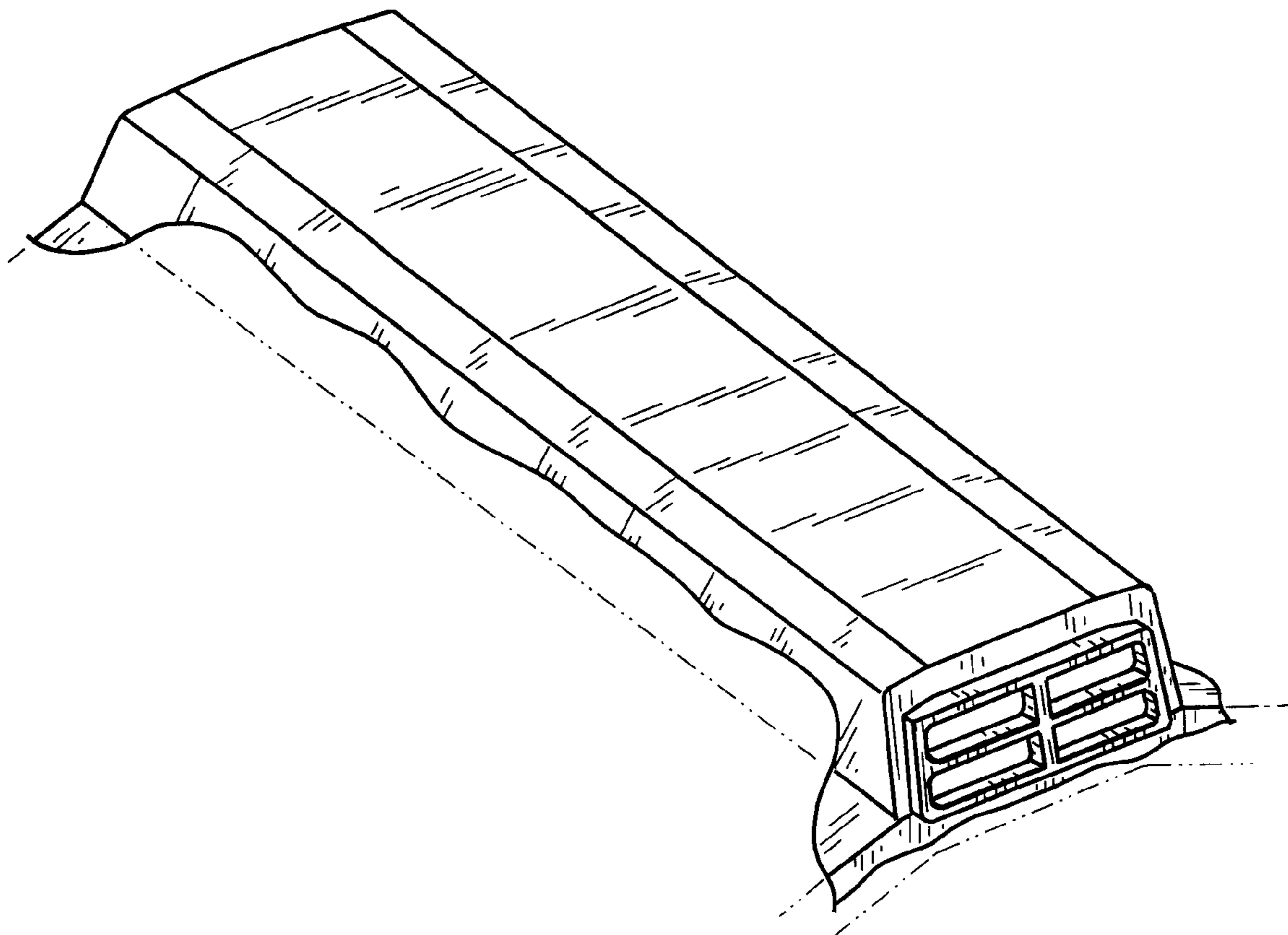
FIG. 4 is a perspective view of a second embodiment of a resin structure roof section showing my new design;

FIG. 5 is a front view thereof, the back view being identical; and,

FIG. 6 is a right side view thereof, the left side being identical.

The phantom line representations in FIGS. 1-6 are exemplary and form no part of the invention.

1 Claim, 2 Drawing Sheets



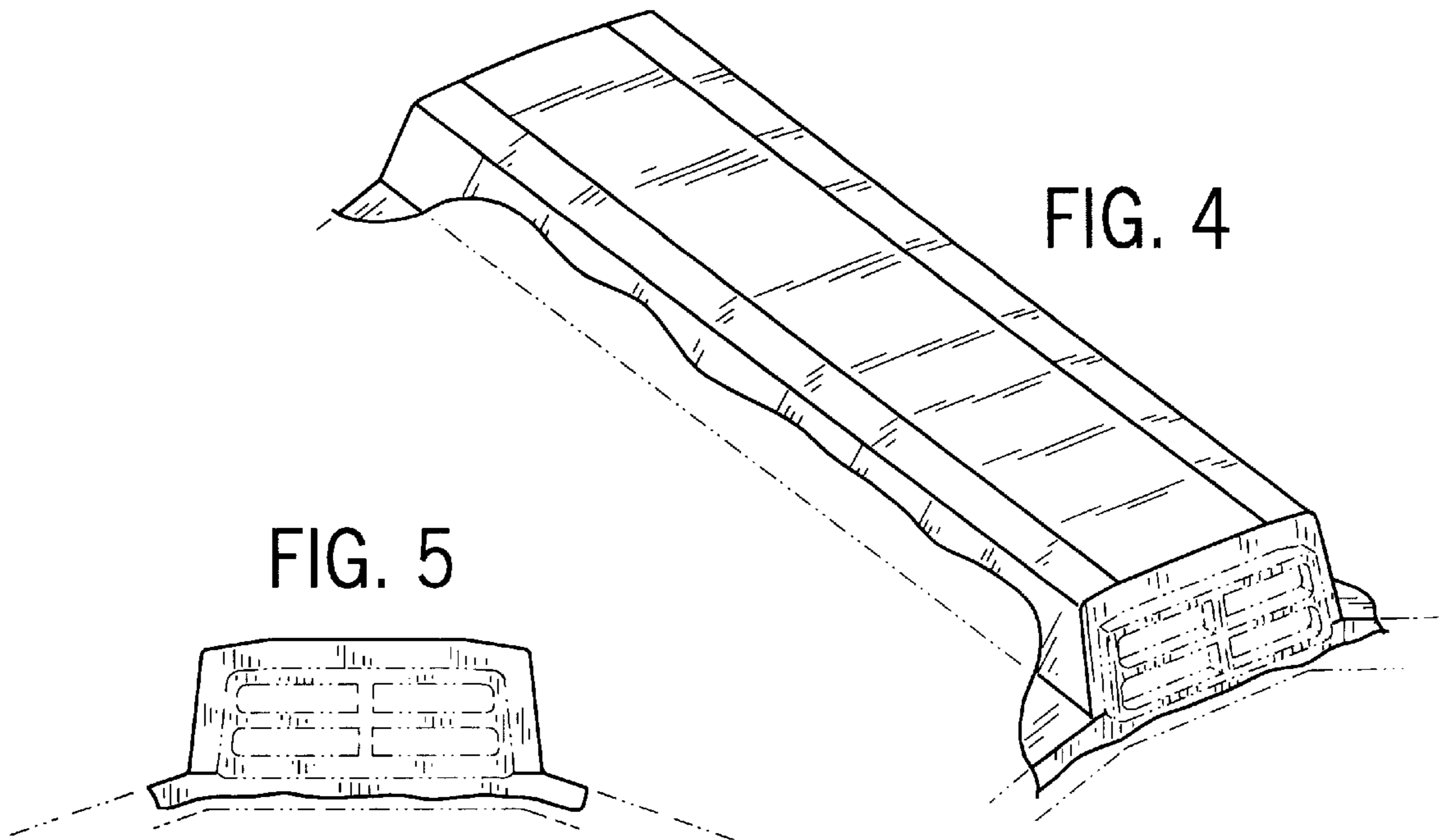
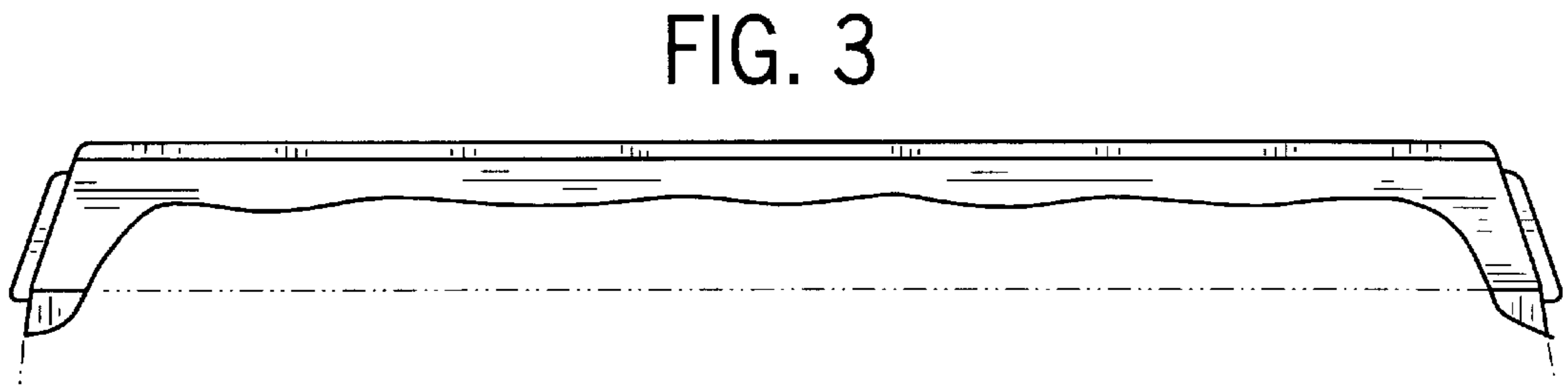
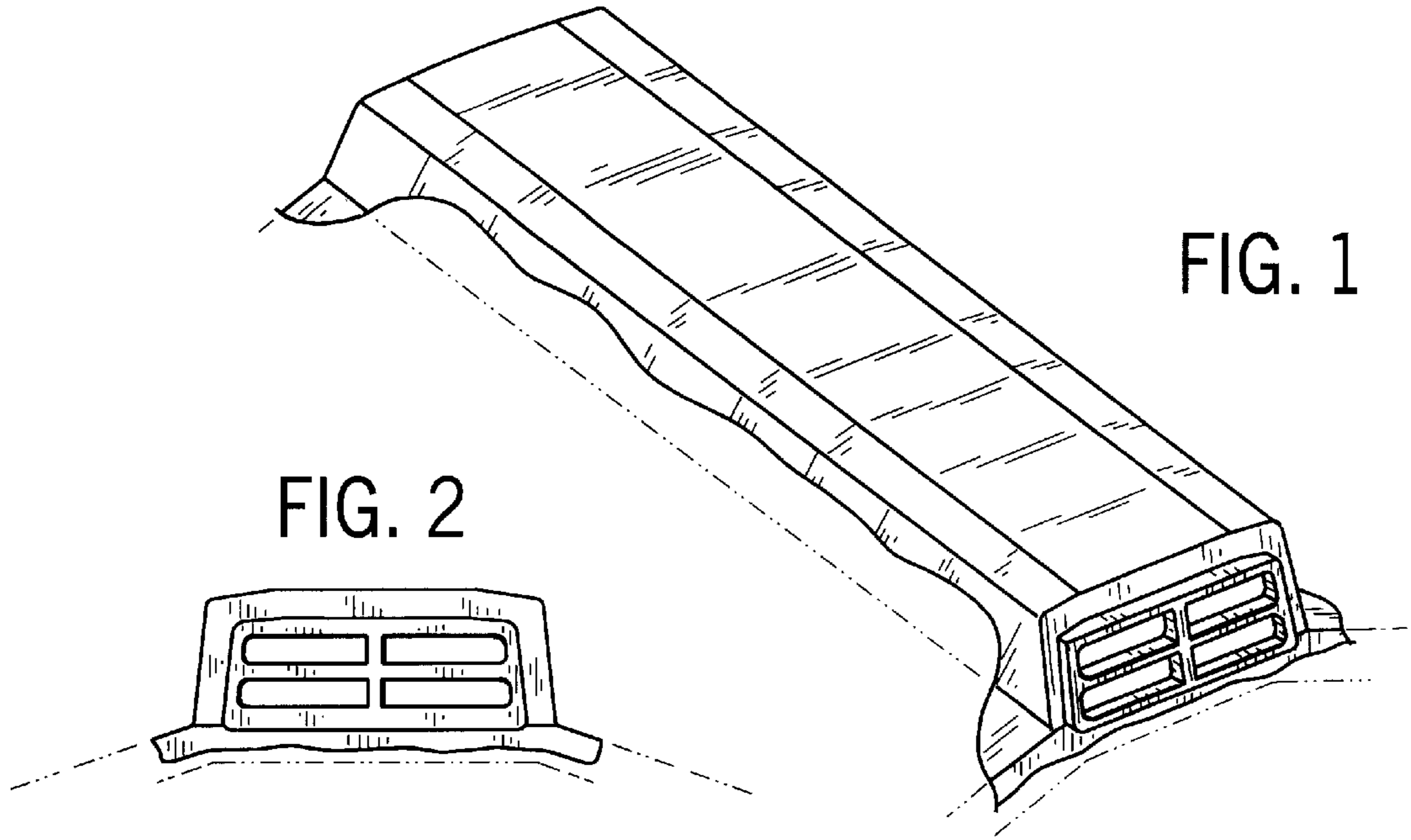


FIG. 6

