



US00D435670S

# United States Patent [19]

Crish, II et al.

[11] Patent Number: **Des. 435,670**

[45] Date of Patent: **\*\* Dec. 26, 2000**

[54] SOLARIUM SILL EXTRUSION

[75] Inventors: **Thomas A. Crish, II**, Youngstown;  
**Jack Marsteller**, Austintown, both of  
Ohio; **Mark Back**, Myrtle Beach, S.C.

[73] Assignee: **Modern Builders Supply, Inc.**, Toledo,  
Ohio

[\*\*] Term: **14 Years**

[21] Appl. No.: **29/117,550**

[22] Filed: **Jan. 26, 2000**

[51] LOC (7) Cl. .... **25-01**

[52] U.S. Cl. .... **D25/124**

[58] Field of Search ..... D25/124, 48, 60,  
D25/119-125; 49/504, 505, DIG. 2, 410-414,  
419, 423; 52/204.5, 730.3, 730.4, 730.5,  
215, 211

### [56] References Cited

#### U.S. PATENT DOCUMENTS

D. 42,536	5/1912	Jay et al. .	
D. 243,682	3/1977	Dallaire .....	D13/1 M
D. 244,382	5/1977	Scheid .....	D25/73
D. 283,352	4/1986	Bancroft .....	D25/74
D. 374,093	9/1996	Hart .....	D25/124

D. 380,561	7/1997	Colitto .....	D25/124
D. 394,511	5/1998	Dallaire et al. ....	D25/124
3,420,016	1/1969	Findlay .....	52/221
3,925,952	12/1975	Hagel et al. ....	52/714
3,998,027	12/1976	Wendt et al. ....	52/716
4,000,597	1/1977	Burton .....	52/716
5,295,335	3/1994	Collier .....	52/86
5,560,155	10/1996	Back .....	52/90.1
5,720,577	2/1998	Sanders et al. ....	405/124
5,771,640	6/1998	Back .....	52/90.1

*Primary Examiner*—Doris Clark  
*Attorney, Agent, or Firm*—MacMillan, Sobanski & Todd,  
LLC

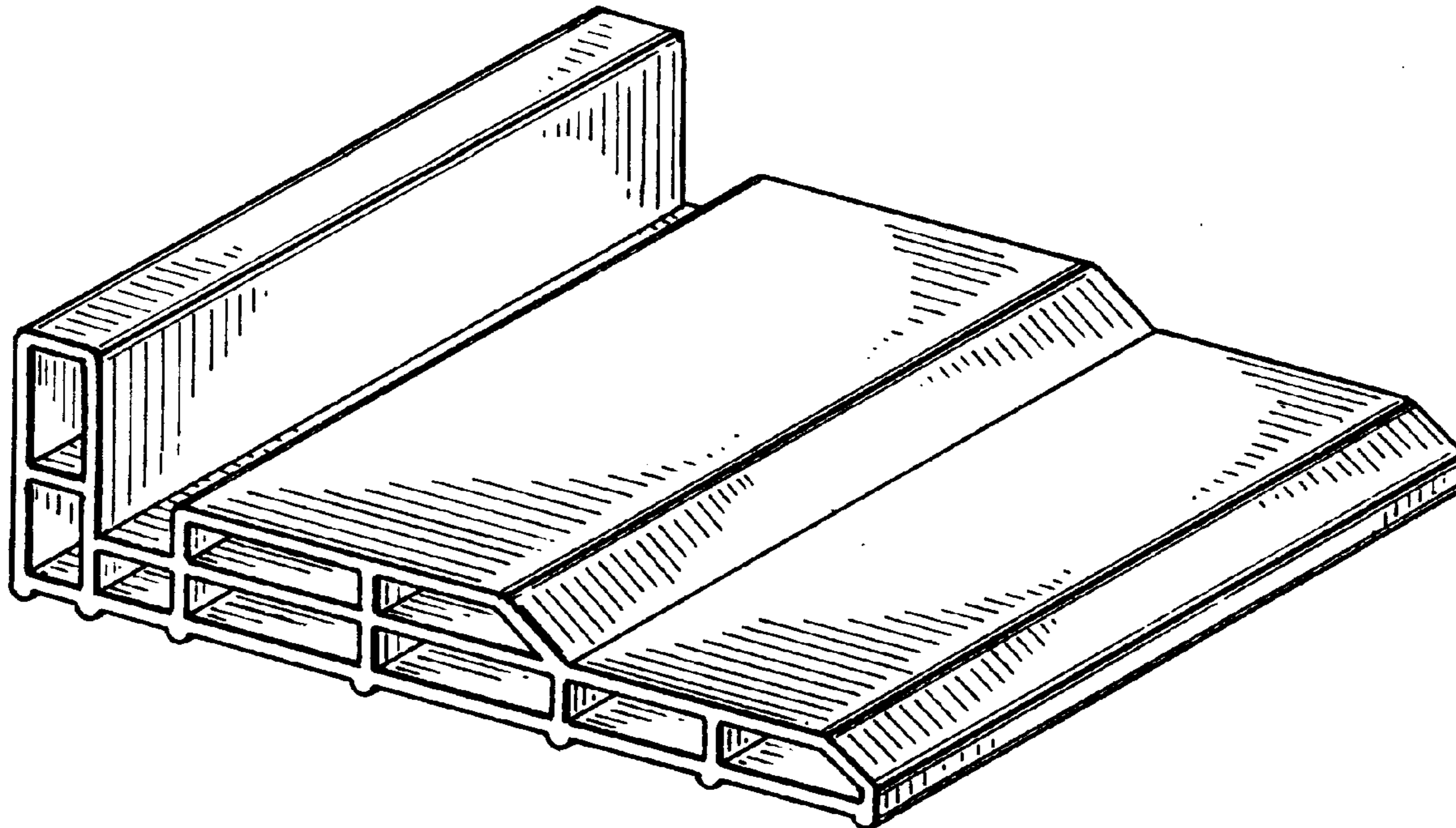
### [57] CLAIM

The ornamental design for a solarium sill extrusion, as shown and described.

### DESCRIPTION

FIG. 1 is a perspective view as seen from the top left rear side of a solarium sill extrusion showing our new design; FIG. 2 is a top plan view thereof; FIG. 3 is a right side elevational view thereof; FIG. 4 is a bottom view thereof; FIG. 5 is a left side elevational view thereof; FIG. 6 is a rear elevational view thereof; and, FIG. 7 is a front elevational view thereof.

**1 Claim, 2 Drawing Sheets**



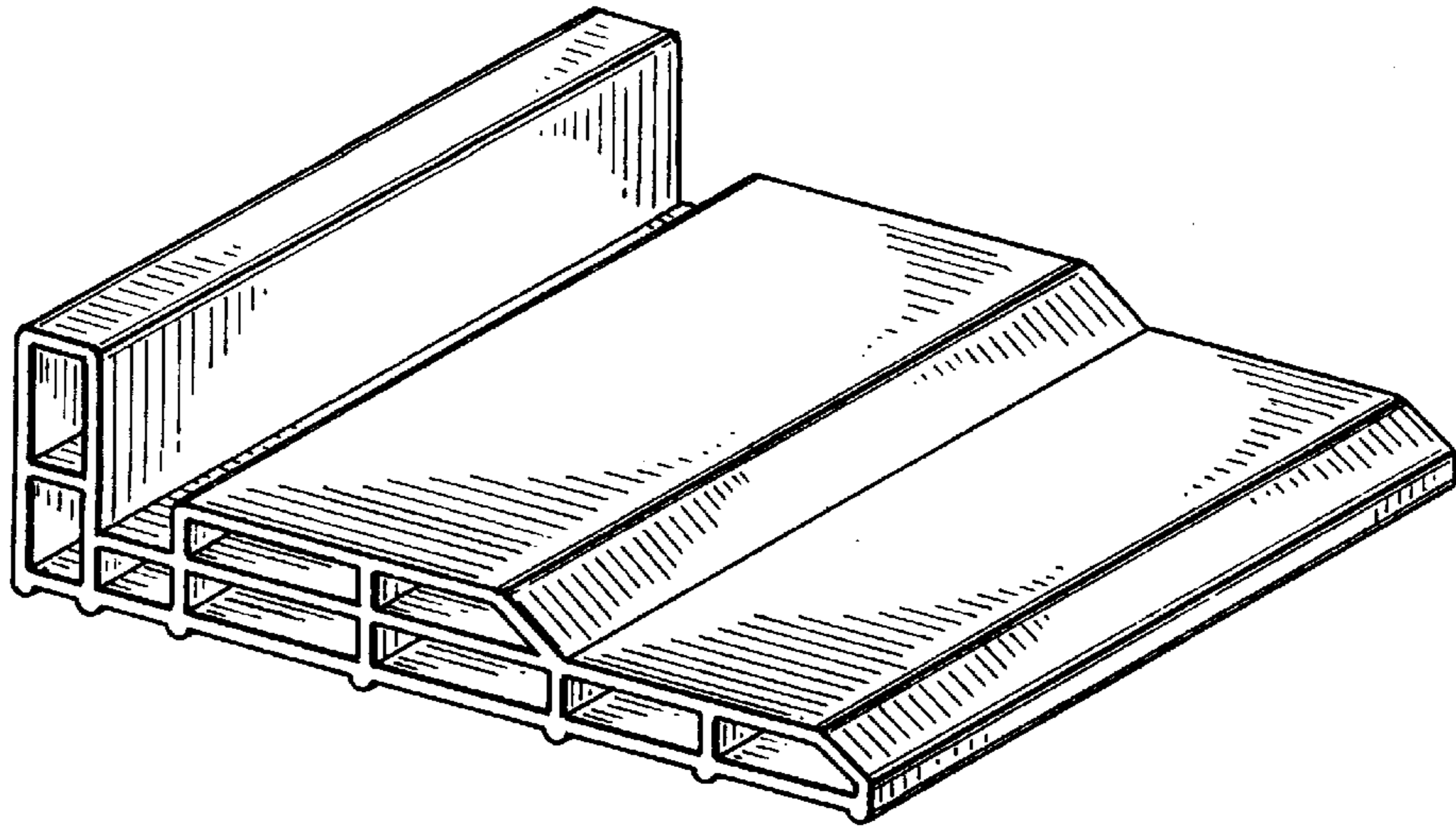


FIG. 1

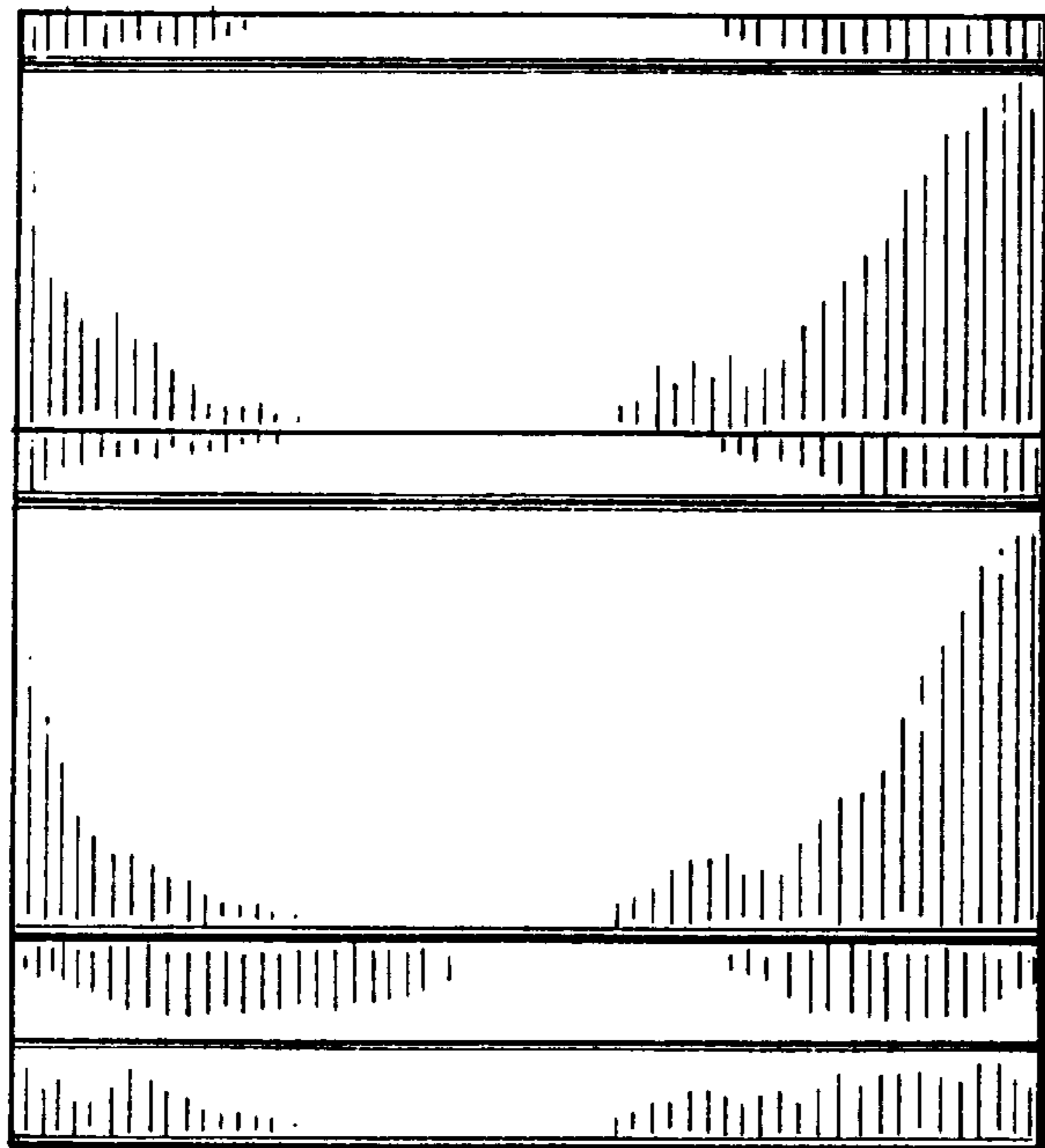


FIG. 2

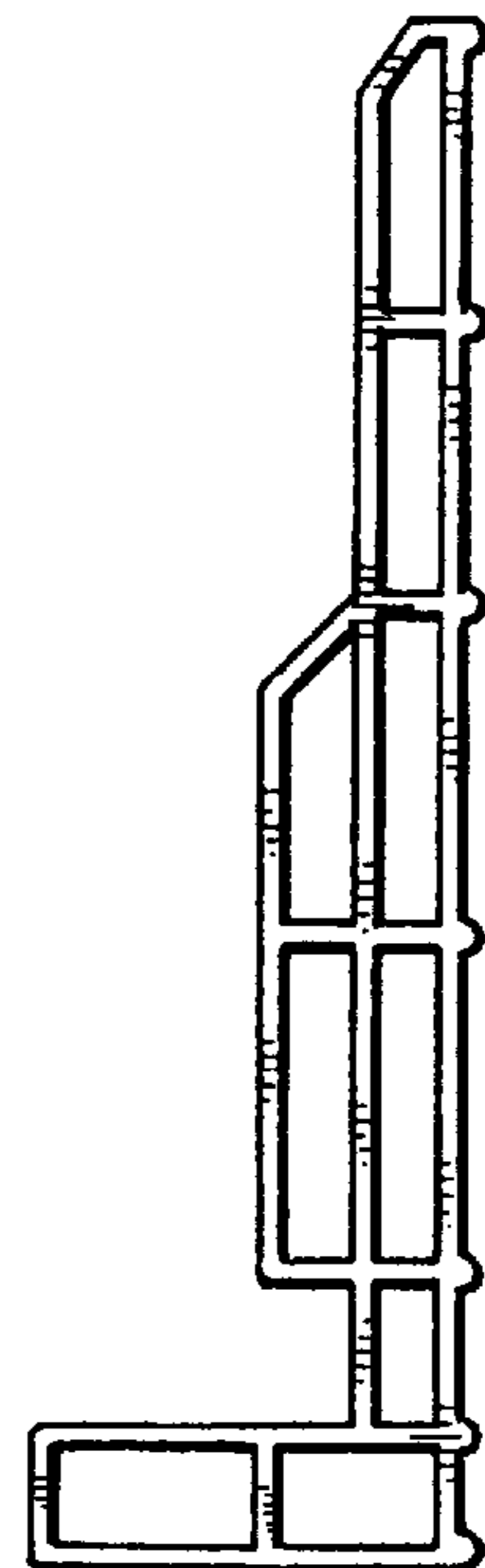
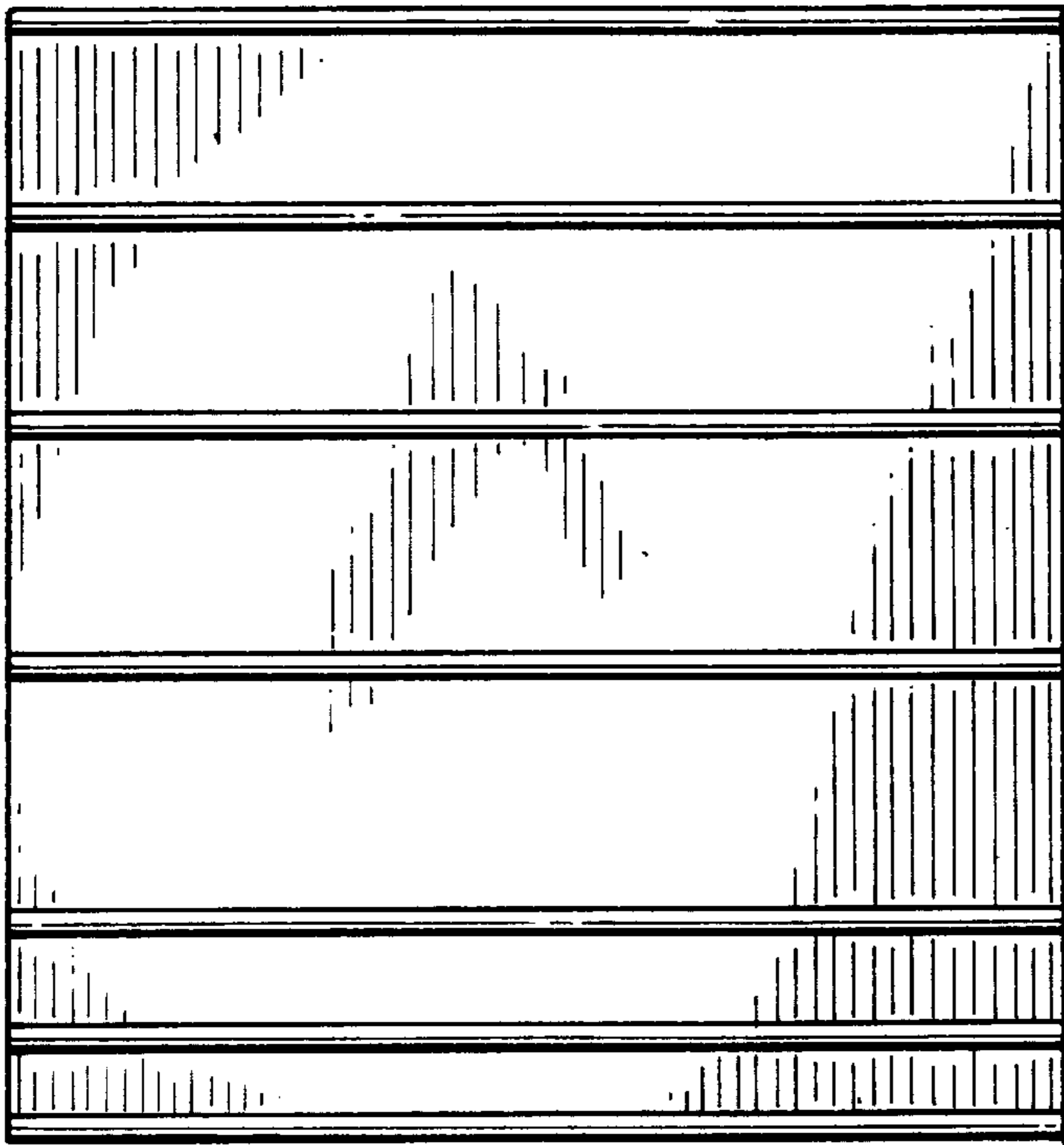
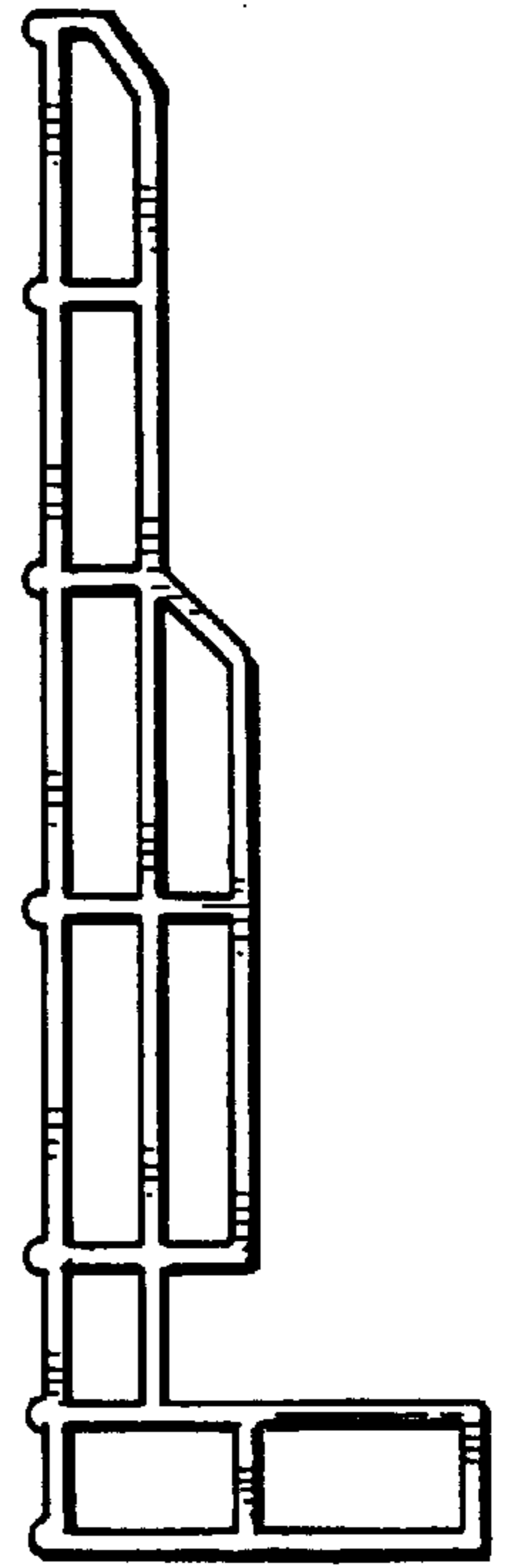


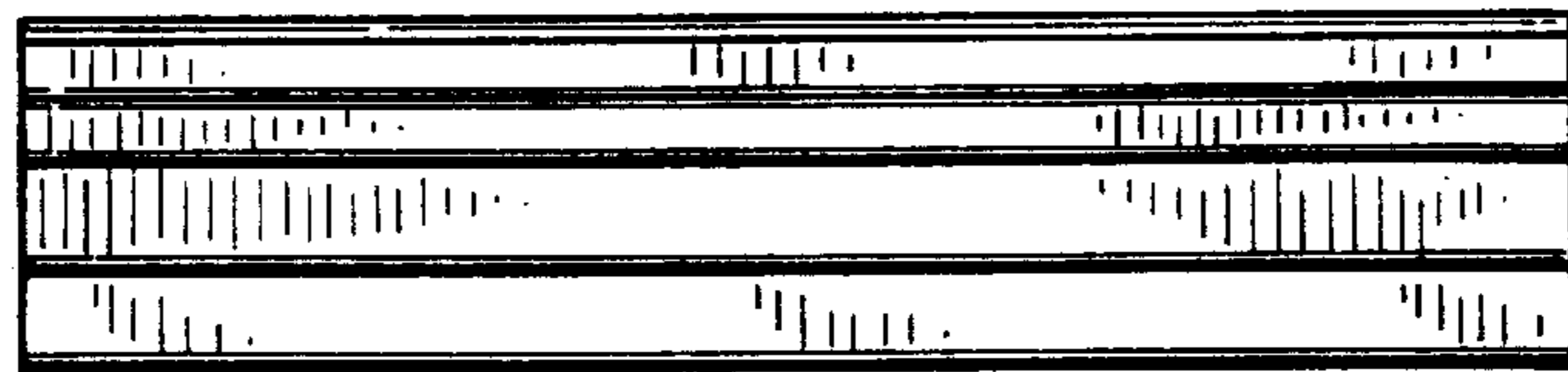
FIG. 3



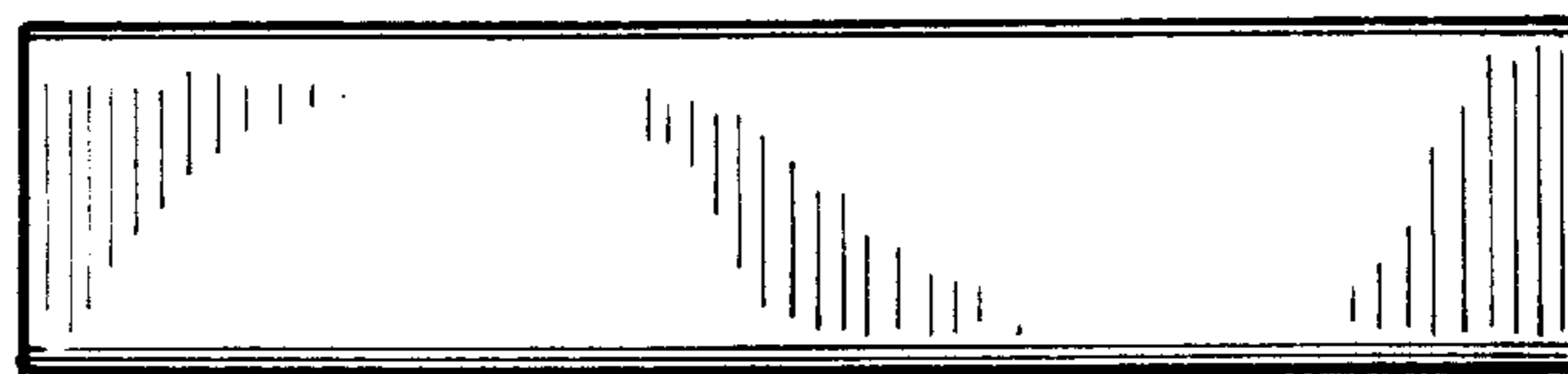
**FIG. 4**



**FIG. 5**



**FIG. 6**



**FIG. 7**