



US00D435665S

United States Patent [19] Ogle

[11] **Patent Number: Des. 435,665**

[45] **Date of Patent: ** Dec. 26, 2000**

[54] **CARTRIDGE**

[75] Inventor: **David Ogle**, Cowan, Australia

[73] Assignee: **Aristocrat Technologies Australia Pty Ltd.**, Lane Cove

[**] Term: **14 Years**

[21] Appl. No.: **29/101,666**

[22] Filed: **Mar. 9, 1999**

[30] **Foreign Application Priority Data**

Feb. 3, 1999 [AU] Australia 2803/98

[51] **LOC (7) Cl.** **24-02**

[52] **U.S. Cl.** **D24/233; D24/216; D24/225**

[58] **Field of Search** D24/225, 224,
D24/231, 108, 233, 232; 206/602; 204/600,
616, 660, 193, 194, 612, 614, 615

[56] **References Cited**

U.S. PATENT DOCUMENTS

D. 369,868 5/1996 Nazareth et al. D24/225

D. 391,373 2/1998 Shartle D24/224
D. 395,708 6/1998 Shartle et al. D24/224
4,130,824 12/1978 Amos et al. 204/612
4,913,791 4/1990 Hurd et al. 204/614

Primary Examiner—Ian Simmons
Attorney, Agent, or Firm—Rosenman & Colin LLP

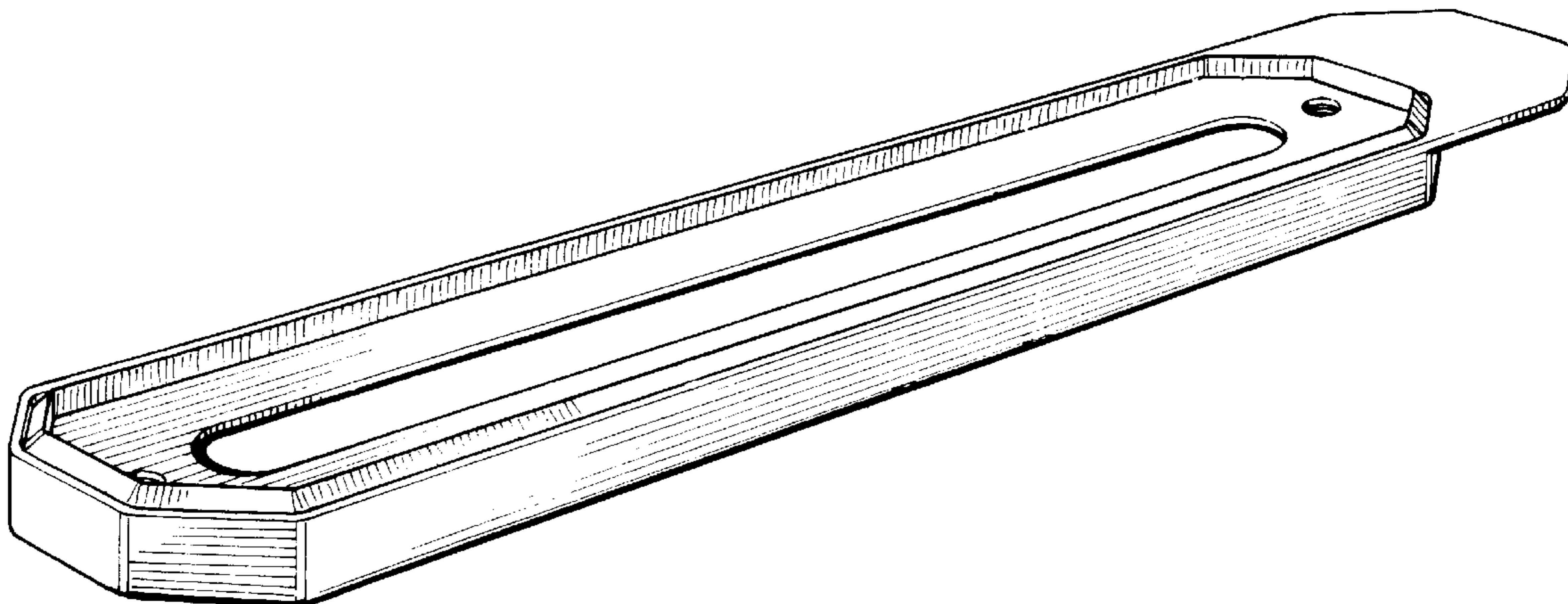
[57] **CLAIM**

The ornamental design for a cartridge, as shown and described.

DESCRIPTION

FIG. 1 is a perspective view of a cartridge showing my new design;
FIG. 2 is a plan view of the cartridge shown in FIG. 1;
FIG. 3 is an inverted plan view of the cartridge shown in FIG. 1;
FIG. 4 is a right side view of the cartridge shown in FIG. 1, the left side being a mirror-image thereof;
FIG. 5 is a front view of the cartridge shown in FIG. 1; and,
FIG. 6 is a rear view of the cartridge shown in FIG. 1.

1 Claim, 2 Drawing Sheets



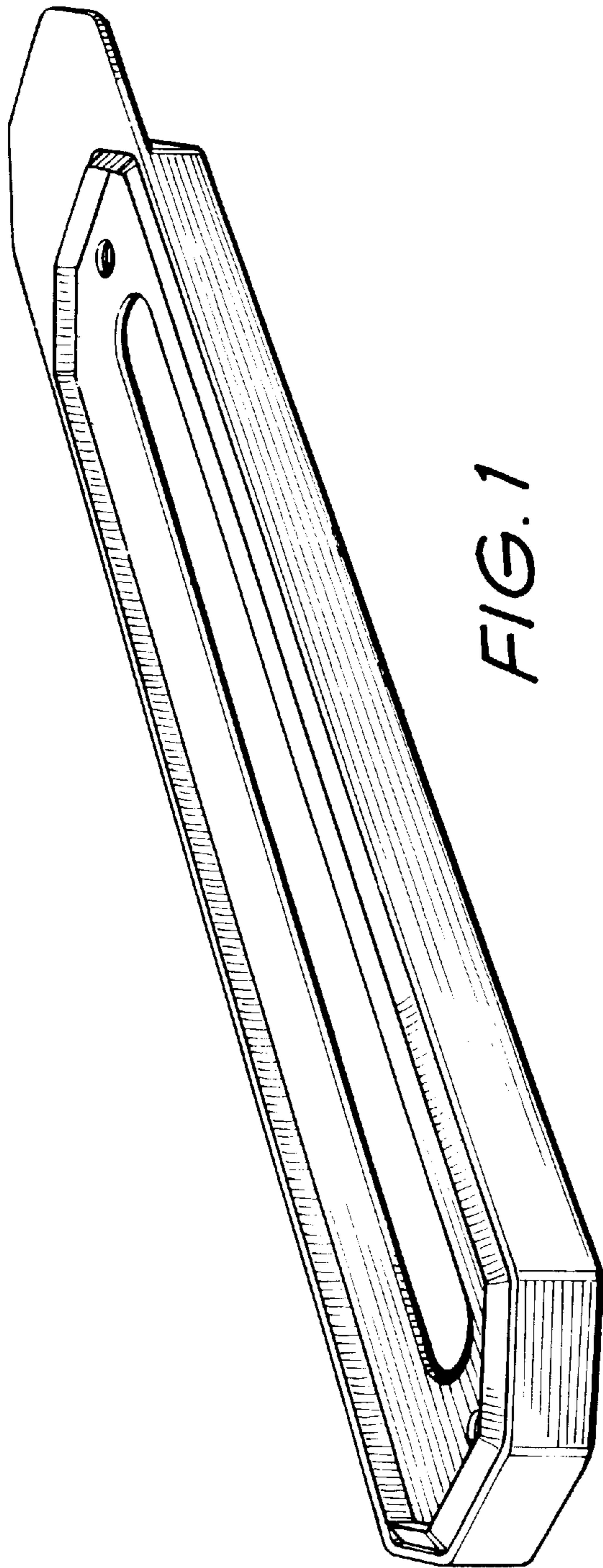


FIG. 1

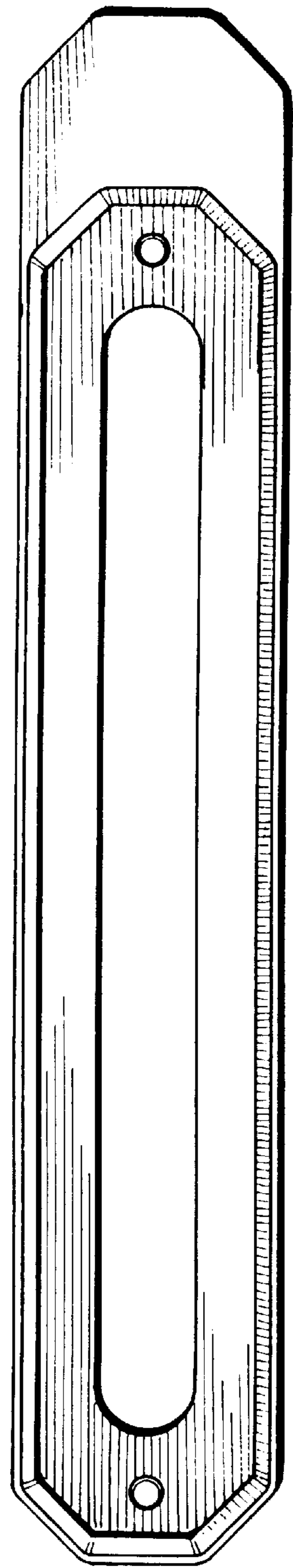


FIG. 2

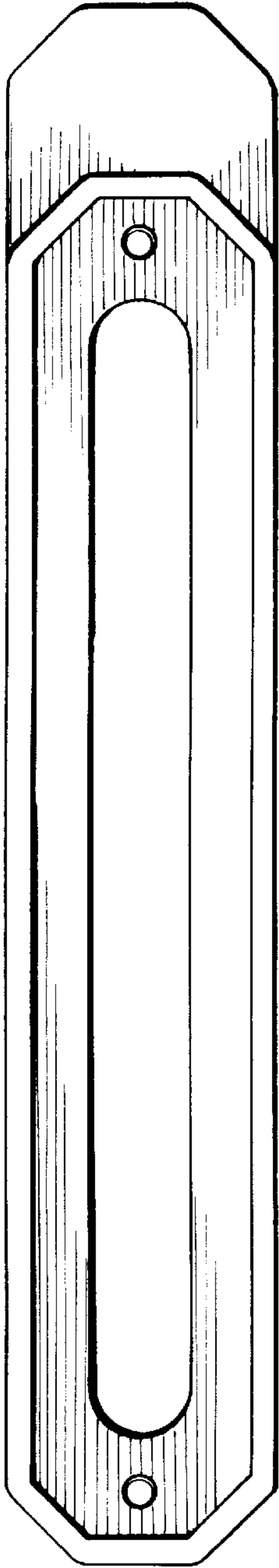


FIG. 3



FIG. 4



FIG. 5



FIG. 6