



US00D435657S

# United States Patent [19]

**Bhullar et al.**

[11] **Patent Number: Des. 435,657**

[45] **Date of Patent: \*\* Dec. 26, 2000**

[54] **METER**

[75] Inventors: **Raghubir Singh Bhullar**, Indianapolis;  
**Jeffery N. Shelton**, Fishers, both of  
Ind.

[73] Assignee: **Roche Diagnostics Corporation**,  
Indianapolis, Ind.

[\*\*] Term: **14 Years**

[21] Appl. No.: **29/125,117**

[22] Filed: **Jun. 19, 2000**

[51] **LOC (7) Cl.** ..... **24-01**

[52] **U.S. Cl.** ..... **D24/169**

[58] **Field of Search** ..... D24/169; 600/316,  
600/319, 347, 365, 366; 422/61, 68.1, 82.05,  
69, 73; 128/763, 770

[56] **References Cited**

**U.S. PATENT DOCUMENTS**

D. 369,216 4/1996 Micinski et al. .... D24/169

D. 399,566 10/1998 Sohrab et al. .... D24/169  
D. 417,504 12/1999 Love et al. .... D24/169  
D. 428,654 7/2000 Schlesinger et al. .... D24/169  
5,174,963 12/1992 Fuller et al. .... 422/82.05  
5,281,395 1/1994 Markart et al. .... 422/82.05  
5,372,946 12/1994 Cusak et al. .... 436/69  
5,575,403 11/1996 Charlton et al. .... 221/31

*Primary Examiner*—Stella Reid  
*Attorney, Agent, or Firm*—Jill L. Woodburn

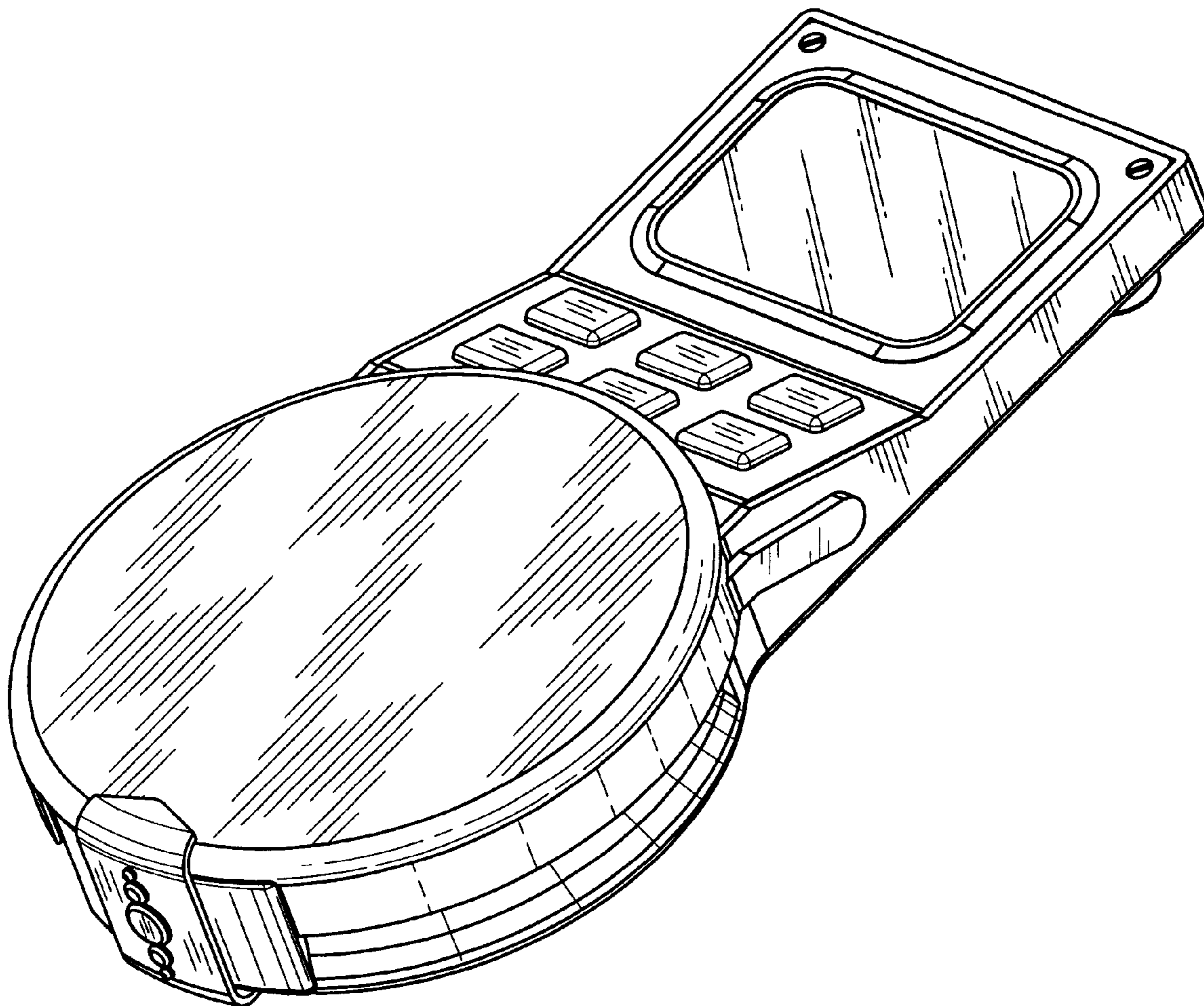
[57] **CLAIM**

The ornamental design for a meter, as shown and described.

**DESCRIPTION**

FIG. 1 is a perspective view of a meter illustrating our new design;  
FIG. 2 is a top plan view thereof;  
FIG. 3 is a bottom plan view thereof;  
FIG. 4 is a right side elevational view thereof;  
FIG. 5 is a left side elevational view thereof;  
FIG. 6 is a front elevational view thereof; and,  
FIG. 7 is a rear elevational view thereof.

**1 Claim, 5 Drawing Sheets**



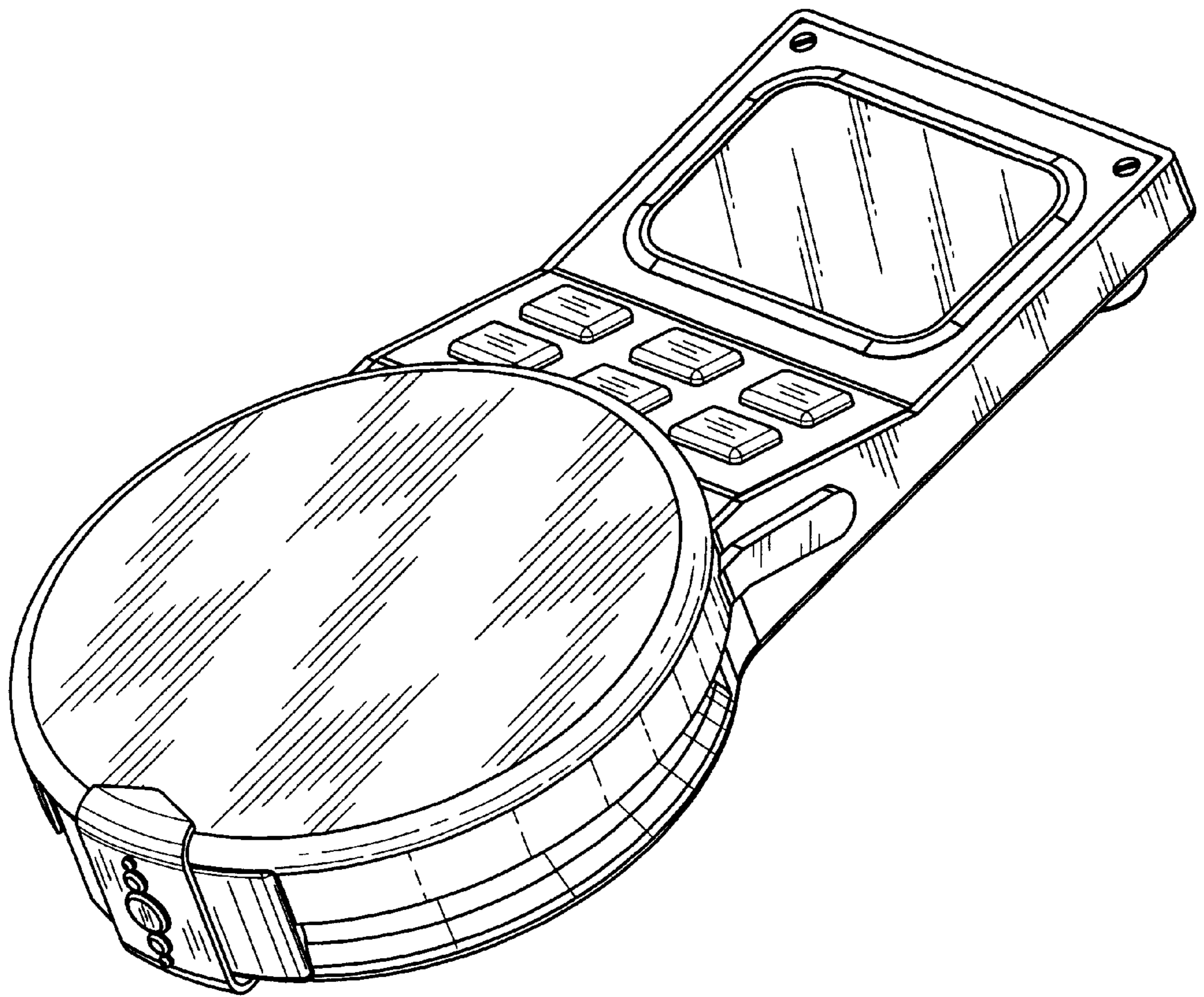


Fig. 1

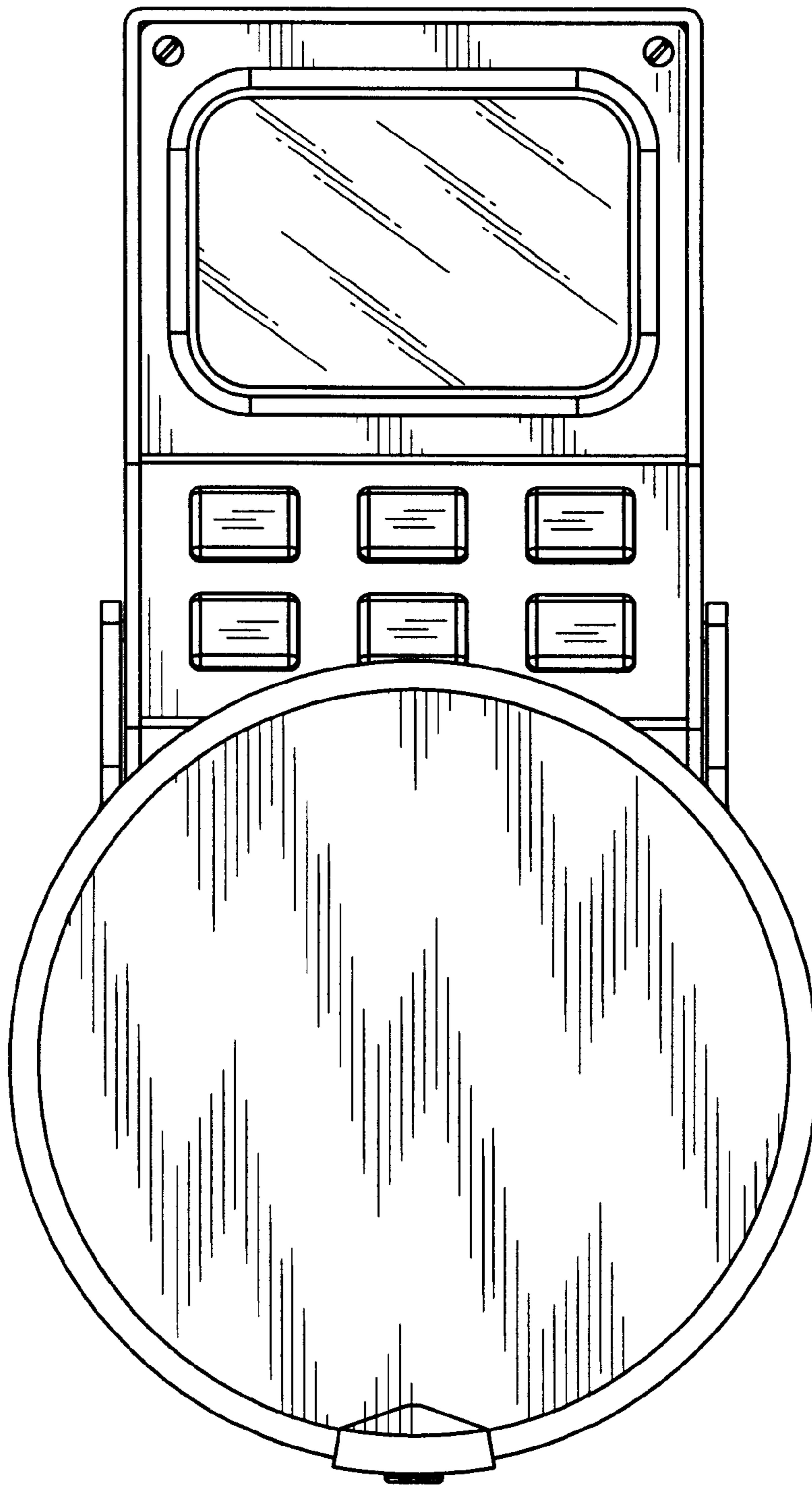


Fig. 2

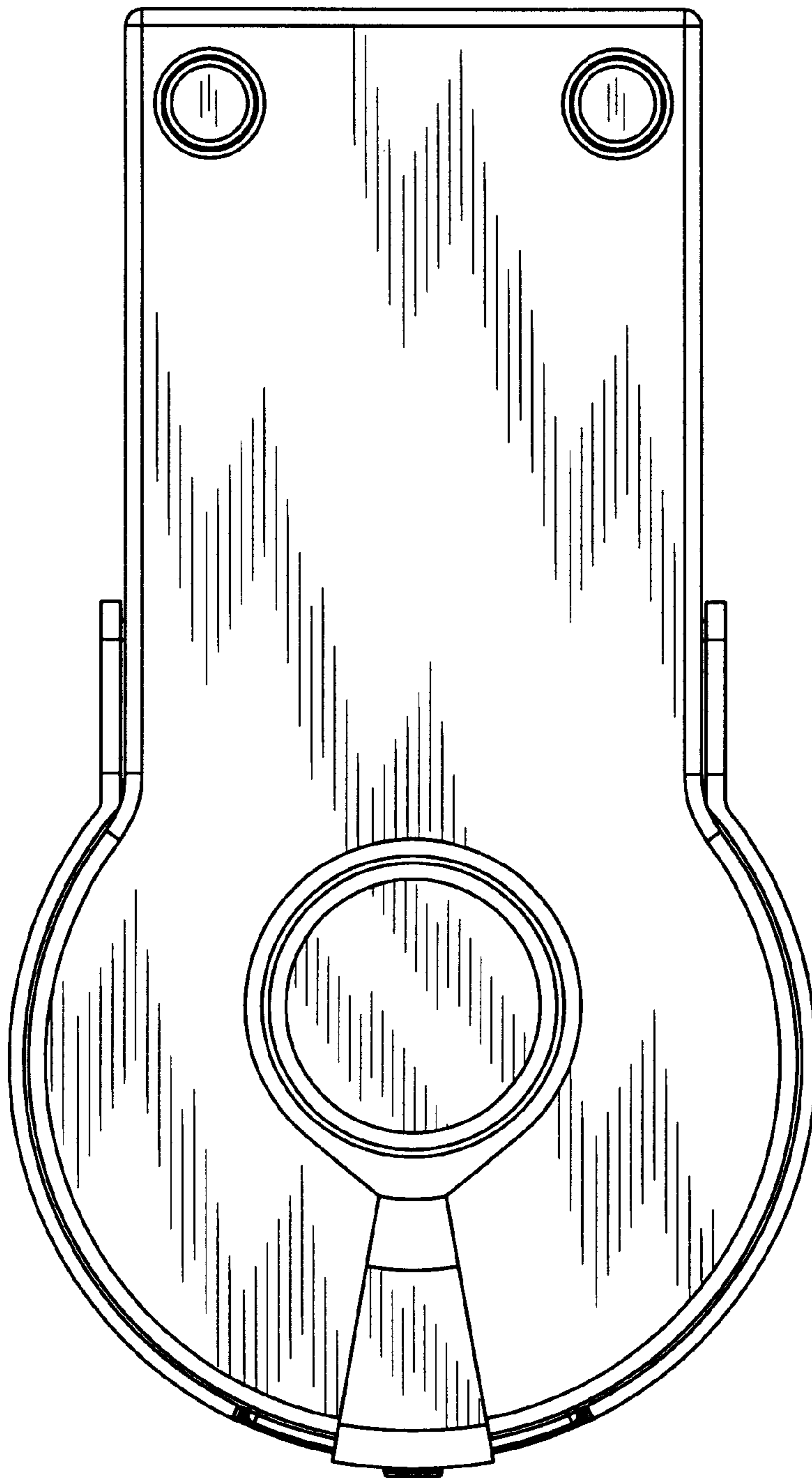


Fig. 3

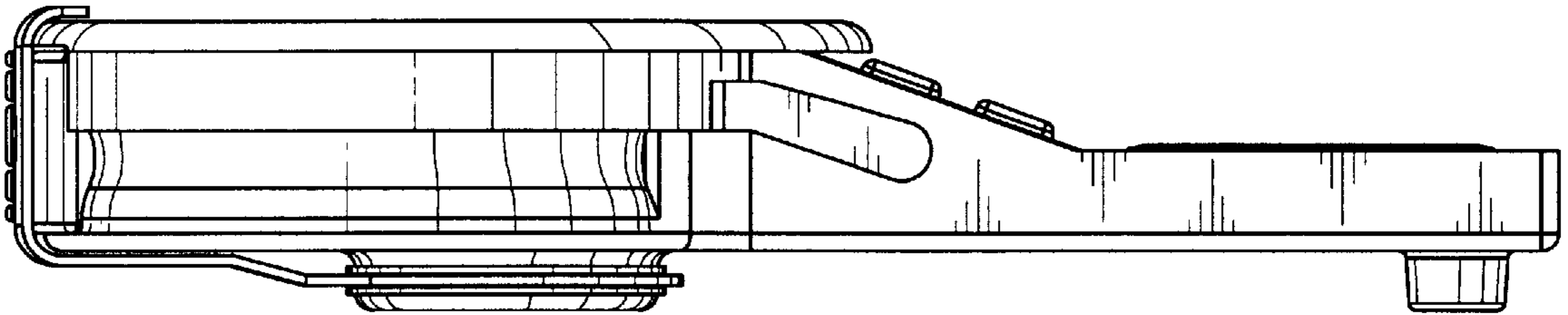


Fig. 4

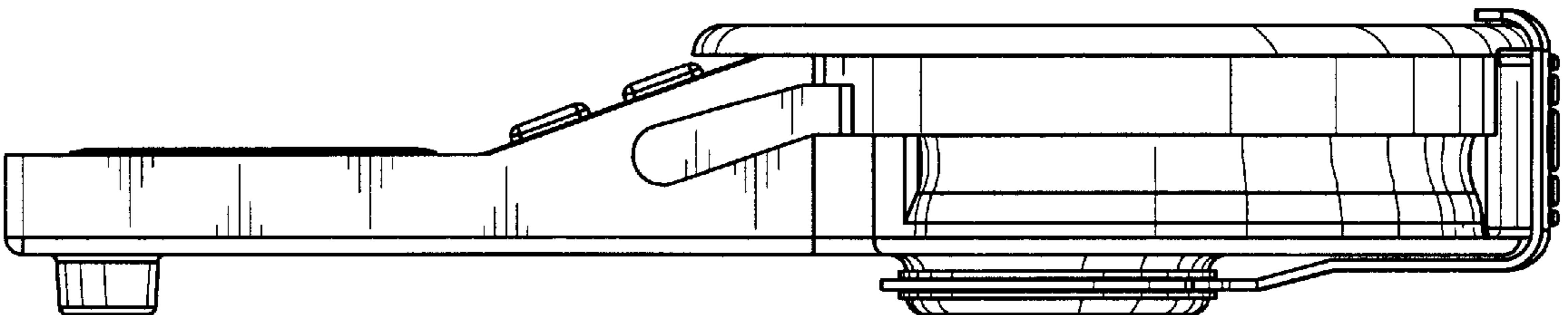


Fig. 5

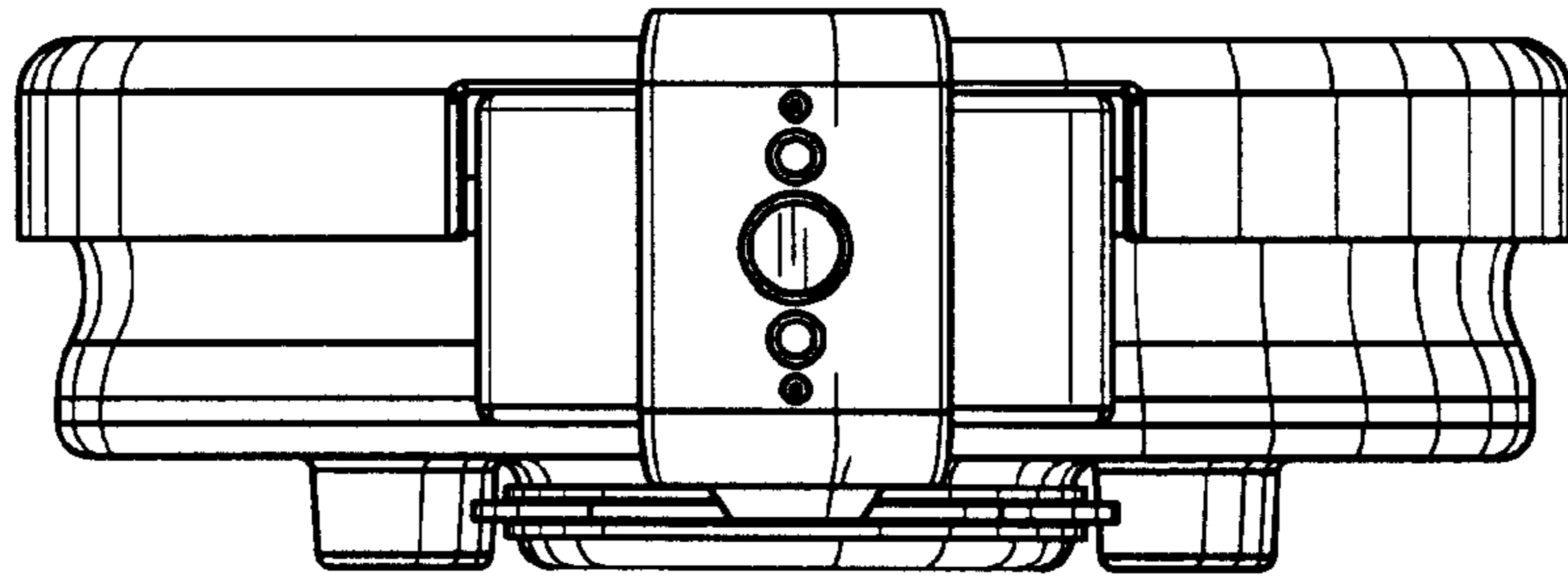


Fig. 6

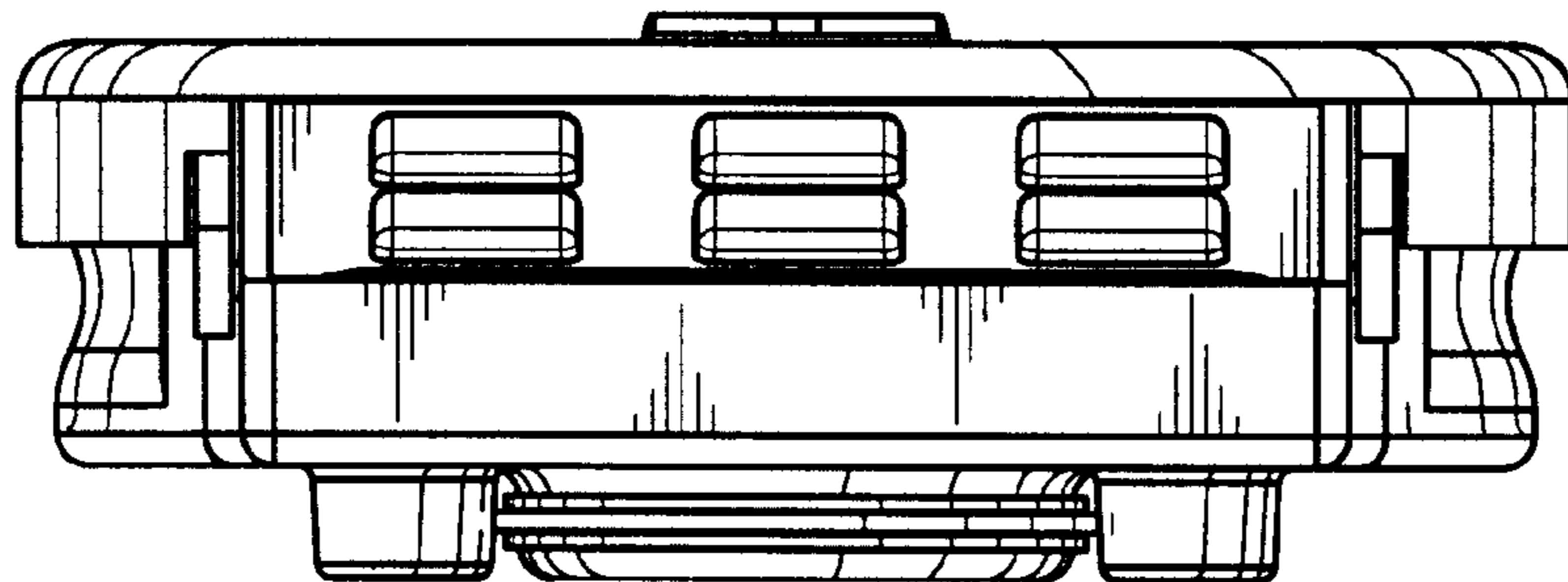


Fig. 7