



US00D435654S

United States Patent [19]

Gaba et al.

[11] Patent Number: Des. 435,654

[45] Date of Patent: ** Dec. 26, 2000

[54] BUCKET FOR A SHARPS CONTAINER

[75] Inventors: **Rodolfo Gaba**, Simi Valley, Calif.;
Ignaty Gusakov, East Aurora, N.Y.;
Gordon H. Marsh, West Hills; **James M. Arganda**, Thousand Oaks, both of Calif.; **Imre Tischler**, Orchard Park, N.Y.; **James V. O'Boyle**, York, S.C.

[73] Assignee: **Graphics Controls Corporation**, Chatsworth, Calif.

[**] Term: **14 Years**

[21] Appl. No.: **29/100,190**

[22] Filed: **Feb. 4, 1999**

[51] LOC (7) Cl. **24-01**

[52] U.S. Cl. **D24/131**

[58] Field of Search D24/134; D9/423, D9/422; D3/302, 272; D34/1, 7, 10, 11; 206/366, 370, 365, 367, 369; 220/908, 910, 911, 909, 254, 768, 769, 780, 771

[56] References Cited

U.S. PATENT DOCUMENTS

- D. 215,617 10/1969 Heck D34/7
- D. 292,037 9/1987 Hanifl .
- D. 304,109 10/1989 Hanifl .
- D. 306,509 3/1990 Hanifl et al. .
- D. 307,841 5/1990 Hanifl et al. .
- D. 339,436 9/1993 Craft, Jr. et al. D34/1

- D. 341,237 11/1993 DeBusk .
- D. 360,062 7/1995 Mosior .
- 4,585,138 4/1986 Jonkers .
- 4,657,139 4/1987 Hanifl .
- 4,874,103 10/1989 Quisenberry et al. .
- 5,002,197 3/1991 Ponsi .
- 5,050,762 9/1991 Giorgi 220/908
- 5,165,563 11/1992 McKendry .
- 5,235,795 8/1993 DeBusk et al. .
- 5,348,549 9/1994 Brown et al. .
- 5,531,346 7/1996 Mosior .
- 5,611,451 3/1997 Mosior et al. .
- 5,634,566 6/1997 Jansen et al. .
- B1 4,585,138 6/1997 Jonkers .

Primary Examiner—Ian Simmons
Attorney, Agent, or Firm—Ratner & Prestia

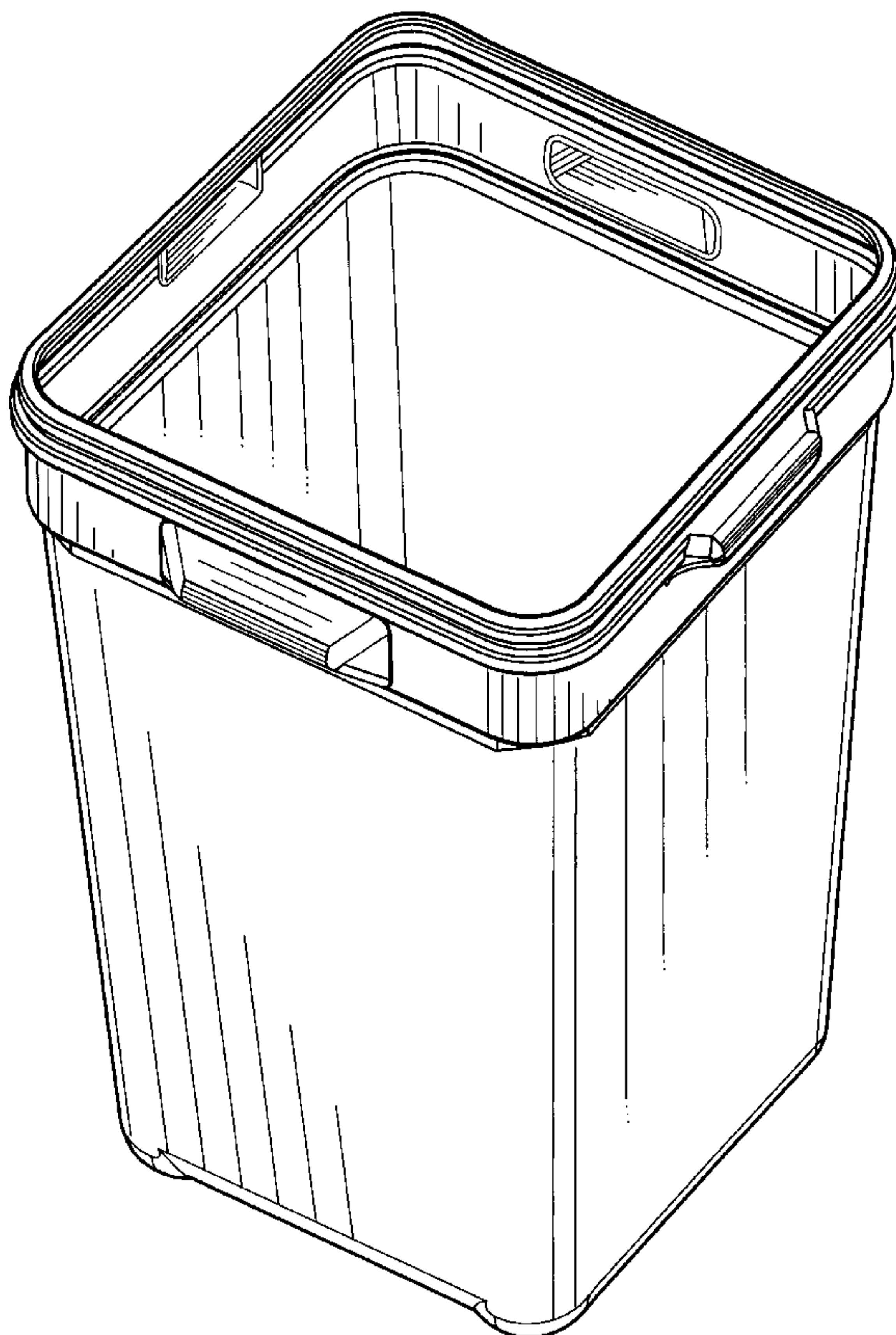
[57] CLAIM

The ornamental design for a bucket for a sharps container, as shown and described.

DESCRIPTION

FIG. 1 is a perspective view of a bucket for a sharps container, showing our new design; FIG. 2 is a front view of the bucket for a sharps container, which is identical to the rear view; FIG. 3 is a right side view of the bucket for a sharps container, which is identical to the left side view; FIG. 4 is a top view of the bucket for a sharps container; and, FIG. 5 is a bottom view of the bucket for a sharps container.

1 Claim, 5 Drawing Sheets



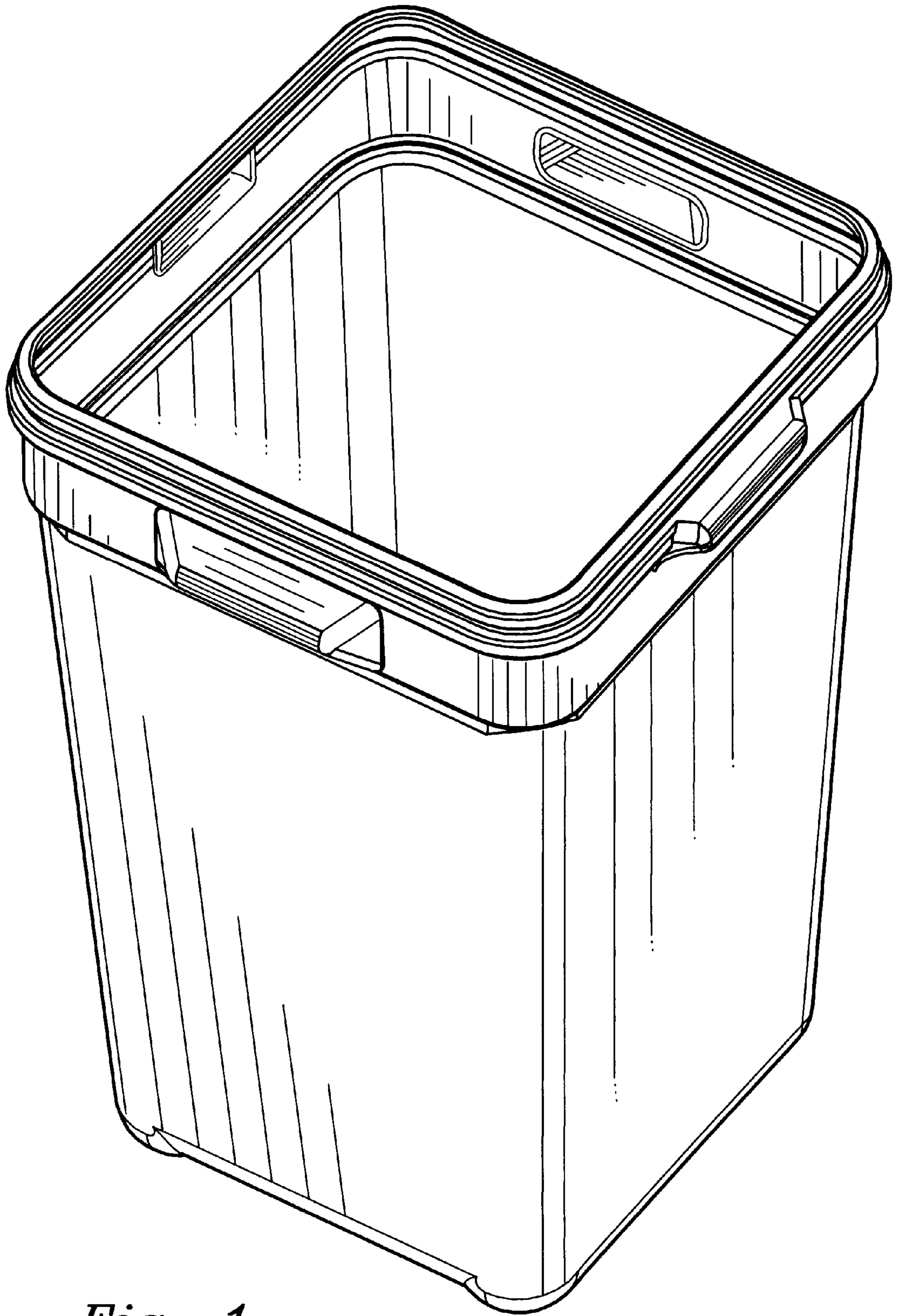


Fig. 1

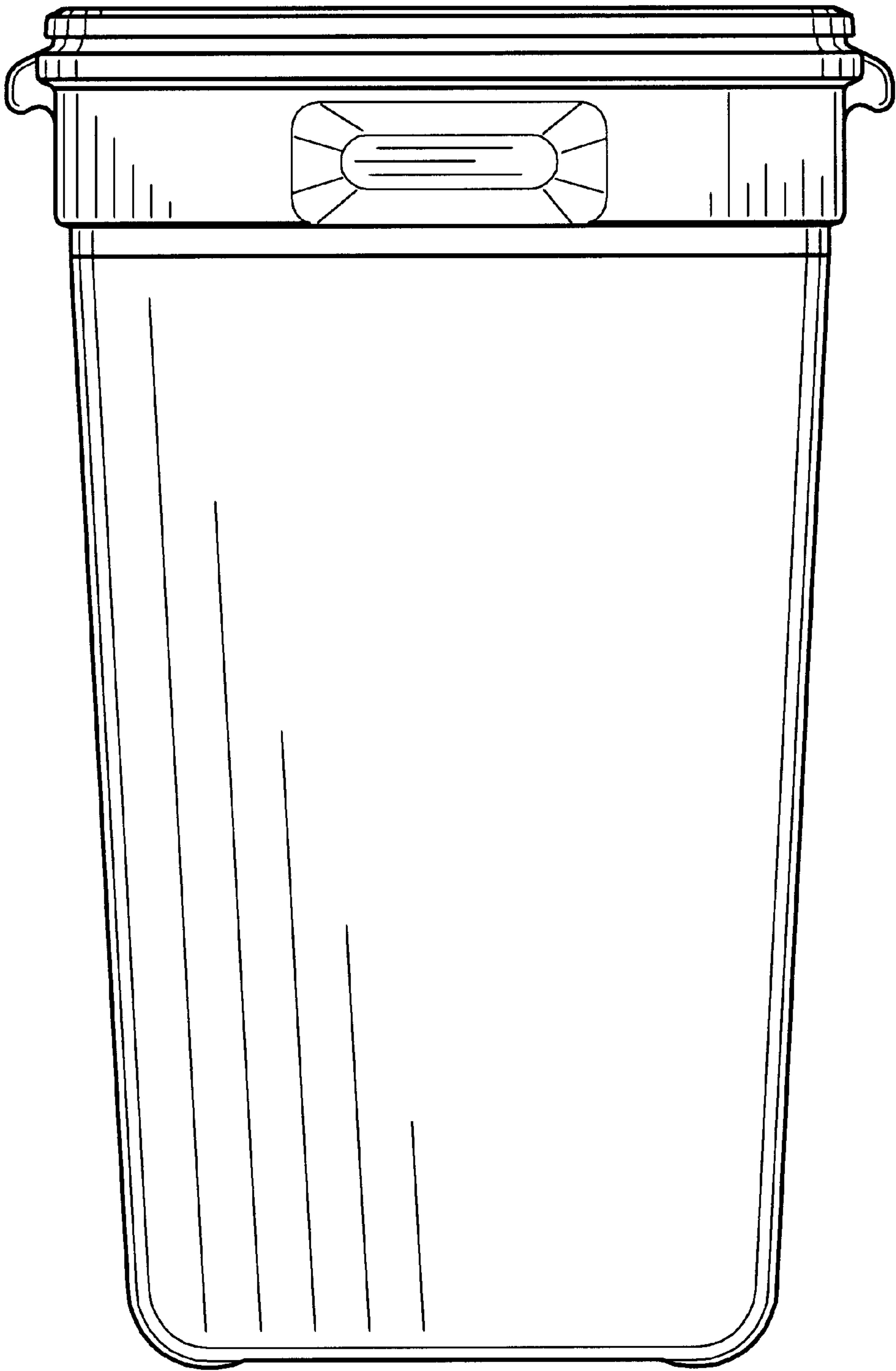


Fig. 2

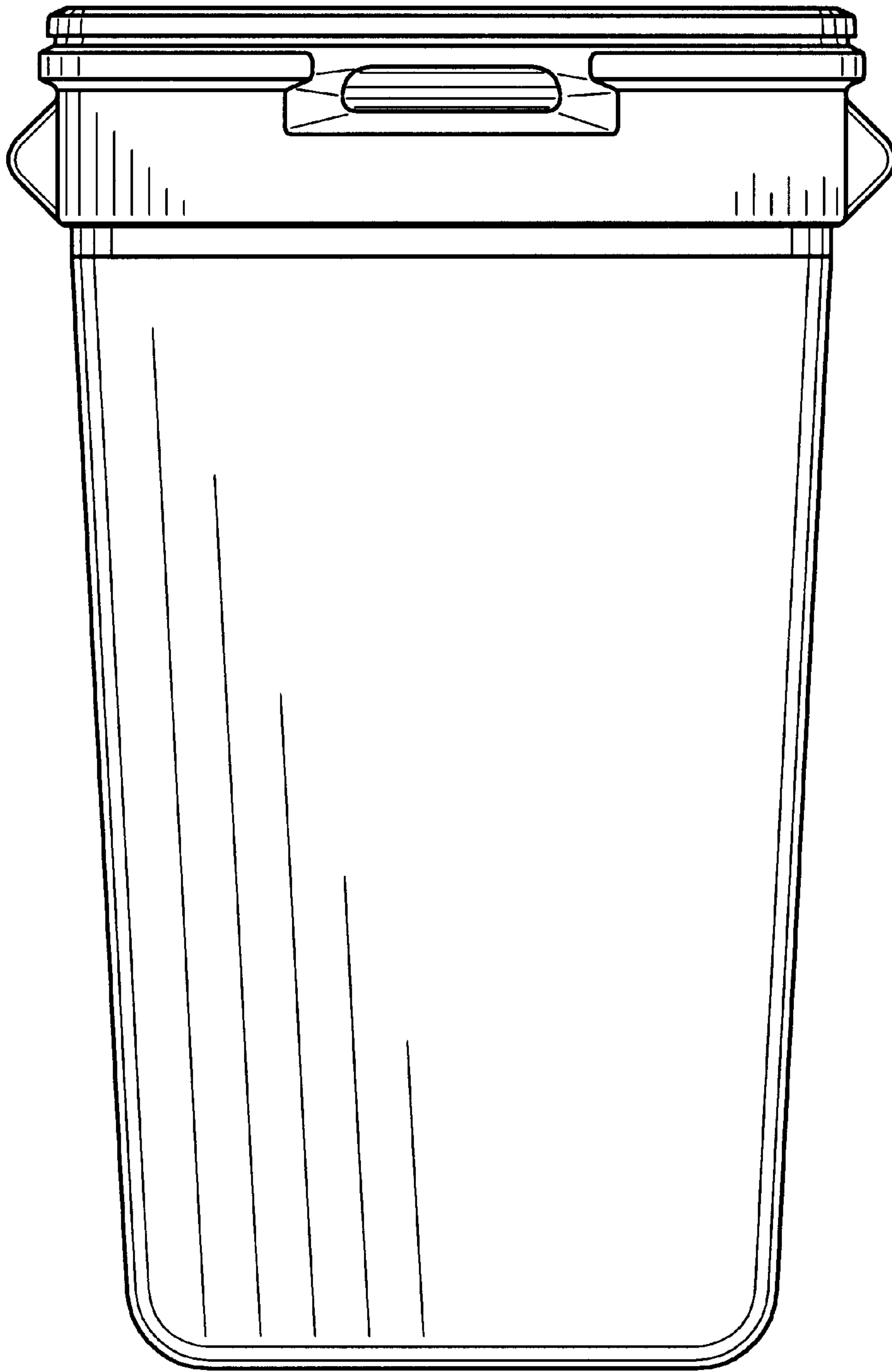


Fig. 3

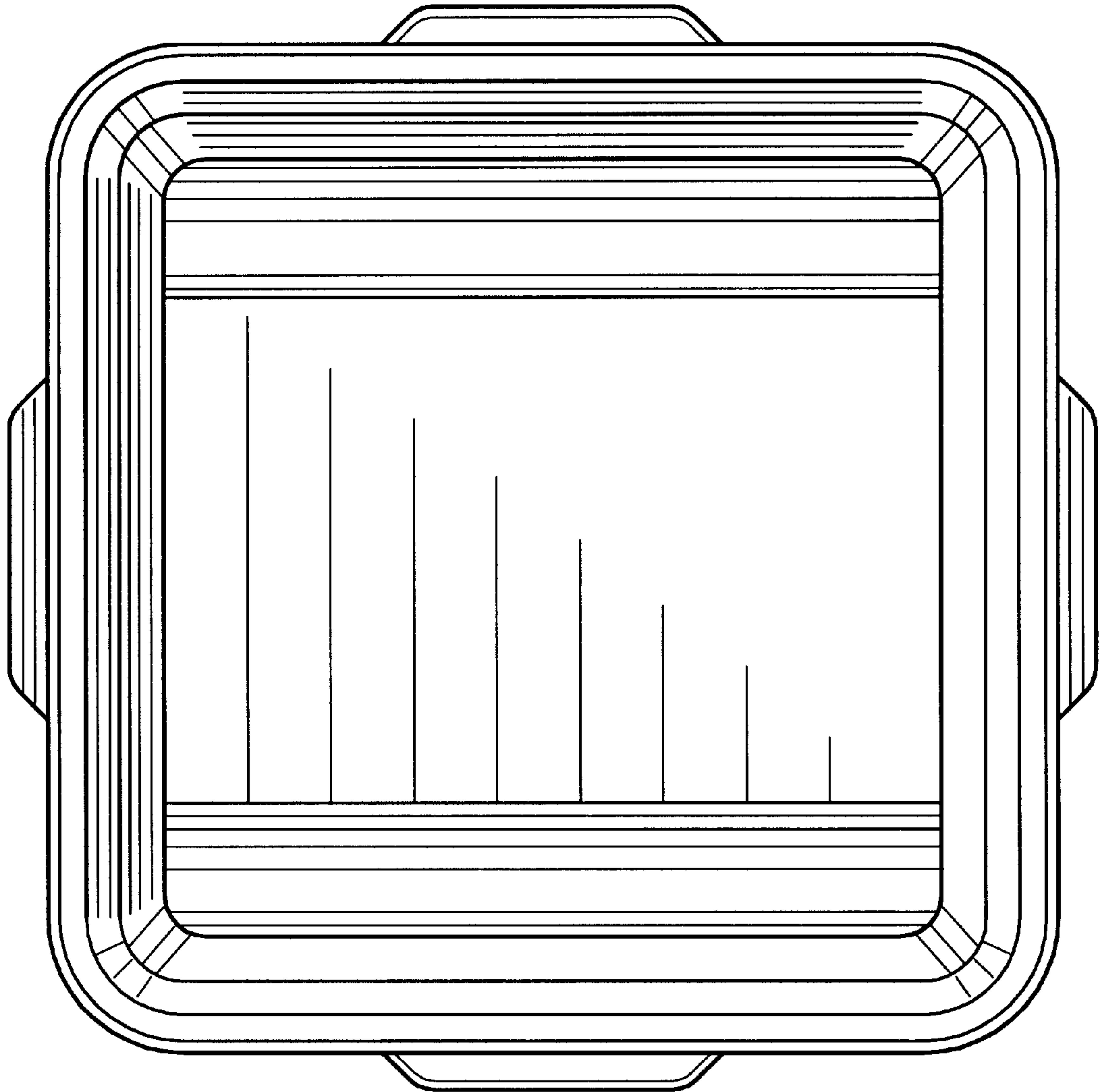


Fig. 4

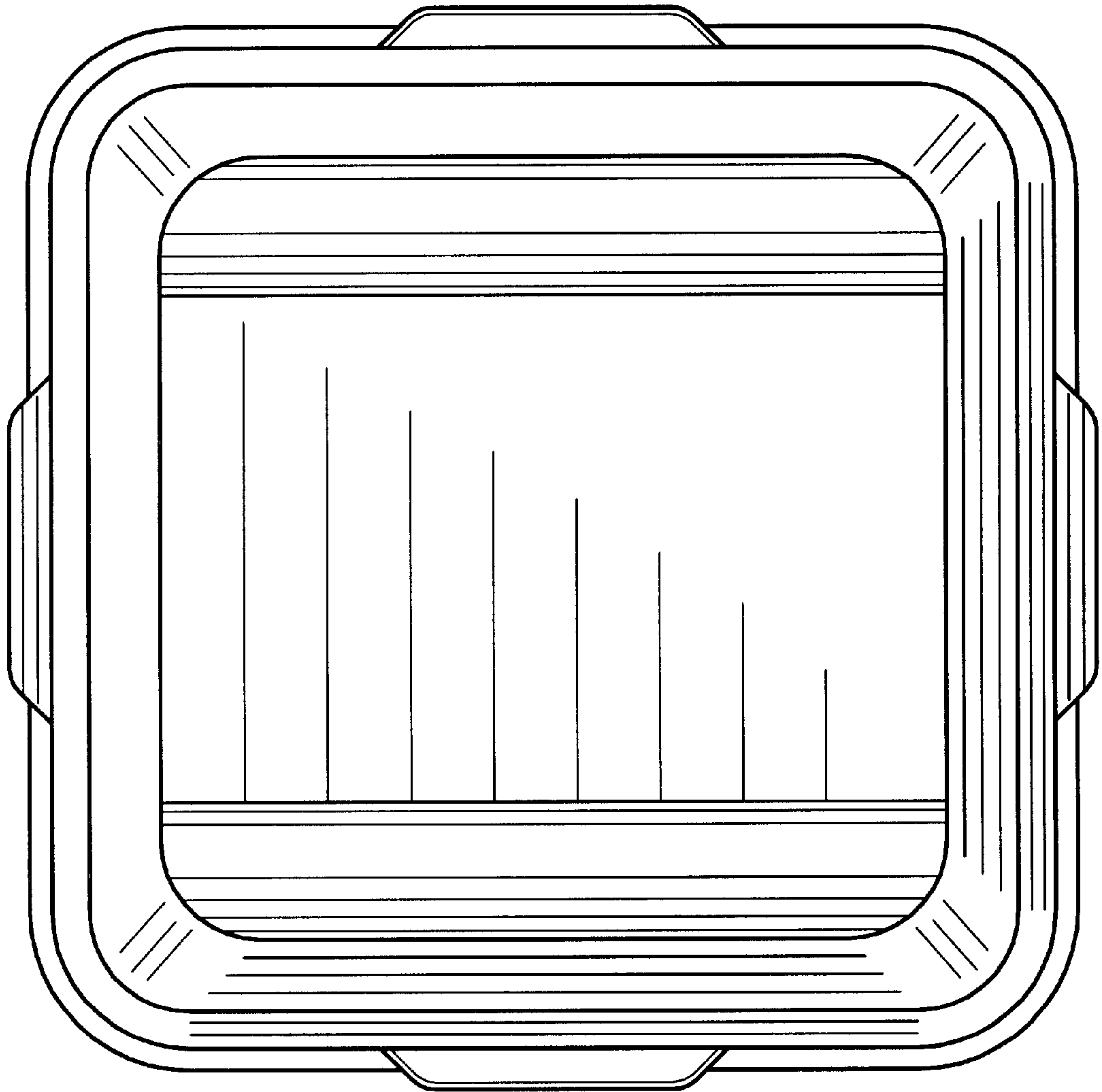


Fig. 5