



US00D435645S

United States Patent [19]
Westerdal

[11] **Patent Number: Des. 435,645**

[45] **Date of Patent: ** Dec. 26, 2000**

[54] **EAR PLUG**

5,809,574 9/1998 Falco et al. 128/864
5,819,745 10/1998 Mobley et al. 128/864

[76] Inventor: **Roland Westerdal**, 23 Greenknoll Dr.,
Brookfield, Conn. 06804

OTHER PUBLICATIONS

[**] Term: **14 Years**

Siebe North, Inc. *Hearing Protectors* Catalog HP-105, Mar.
1994.
Lab Safety Catalog, pp. 85-87.

[21] Appl. No.: **29/109,218**

[22] Filed: **Aug. 11, 1999**

Primary Examiner—Stella Reid
Assistant Examiner—I Simmons
Attorney, Agent, or Firm—Ware, Fressola, Van Der Sluys &
Adolphson LLP

[51] **LOC (7) Cl.** **24-04**

[52] **U.S. Cl.** **D24/106**

[58] **Field of Search** D24/106; 128/864,
128/867, 865; 181/130, 129, 135

[57] **CLAIM**

I claim the ornamental design of an ear plug, as shown and
described.

[56] **References Cited**

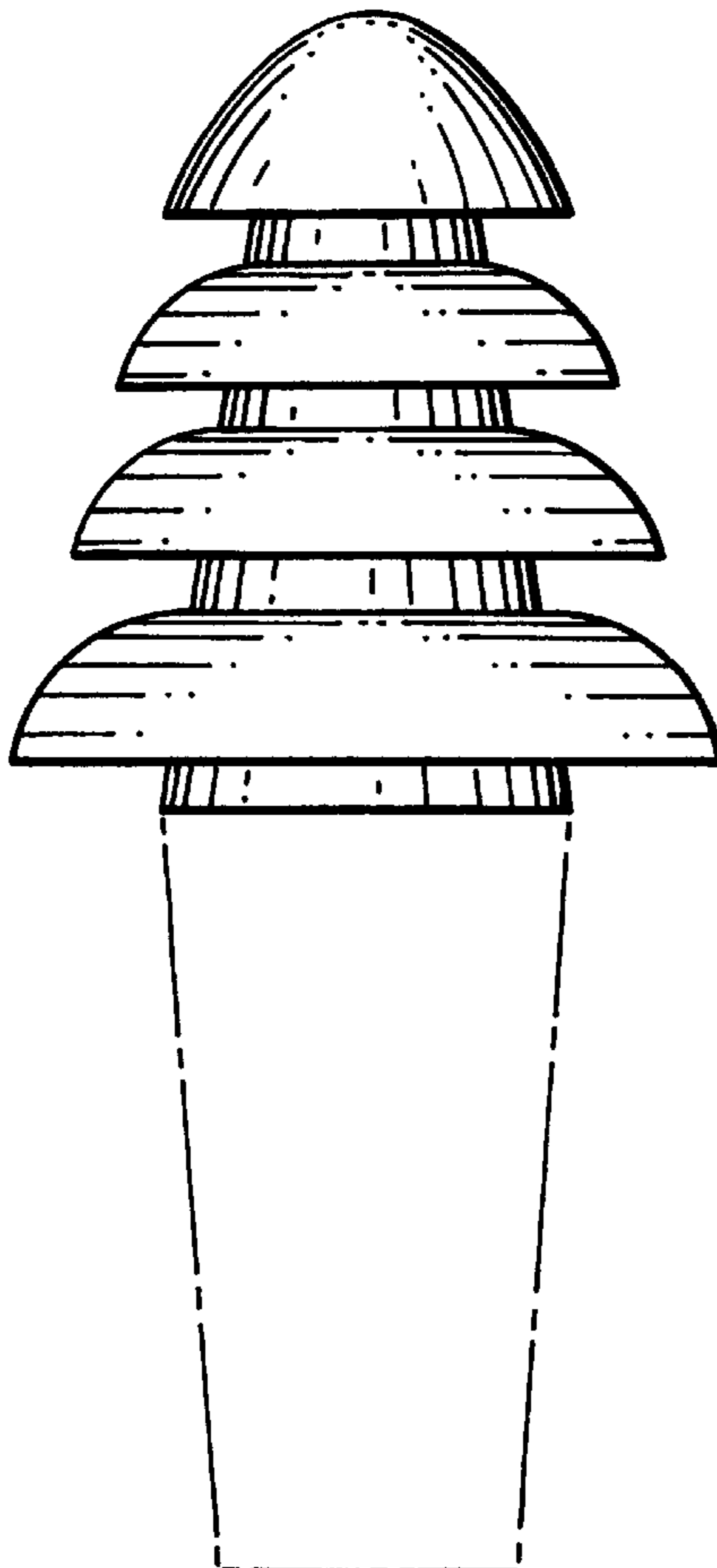
DESCRIPTION

U.S. PATENT DOCUMENTS

Re. 28,560	9/1975	Fling .	
D. 195,322	5/1963	Hill	D24/106
D. 239,416	3/1976	Visor	D24/106
D. 253,723	12/1979	Leight .	
D. 298,356	11/1988	Falco	D24/106
D. 372,776	8/1996	Leight	D24/106
D. 414,260	9/1999	Conner	D24/106
2,427,664	9/1947	Dunbar et al. .	
2,487,038	11/1949	Baum .	
4,540,063	9/1985	Ochi et al. .	
4,867,149	9/1989	Falco	128/864

FIG. 1 is a side elevation view of the invention;
FIG. 2 is a top view of the invention; and,
FIG. 3 is a bottom view of the invention.
The ear plug is symmetrical about its longitudinal axis,
whereby front, rear and side views of the ear plug are all
illustrated by the side elevation view of FIG. 1. The broken
lines shown in the figures are for illustrative purposes only
and form no part of the claimed design.

1 Claim, 1 Drawing Sheet



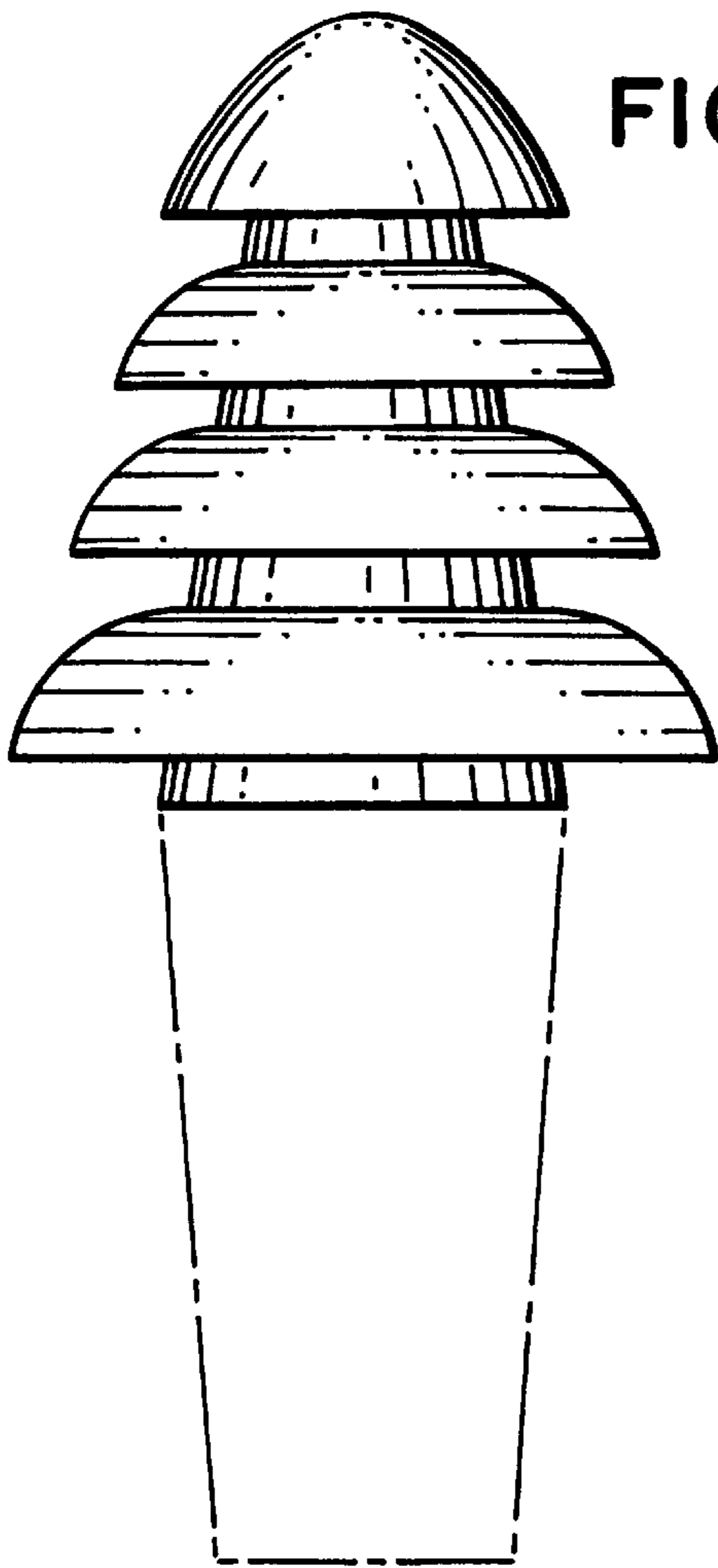


FIG. 1

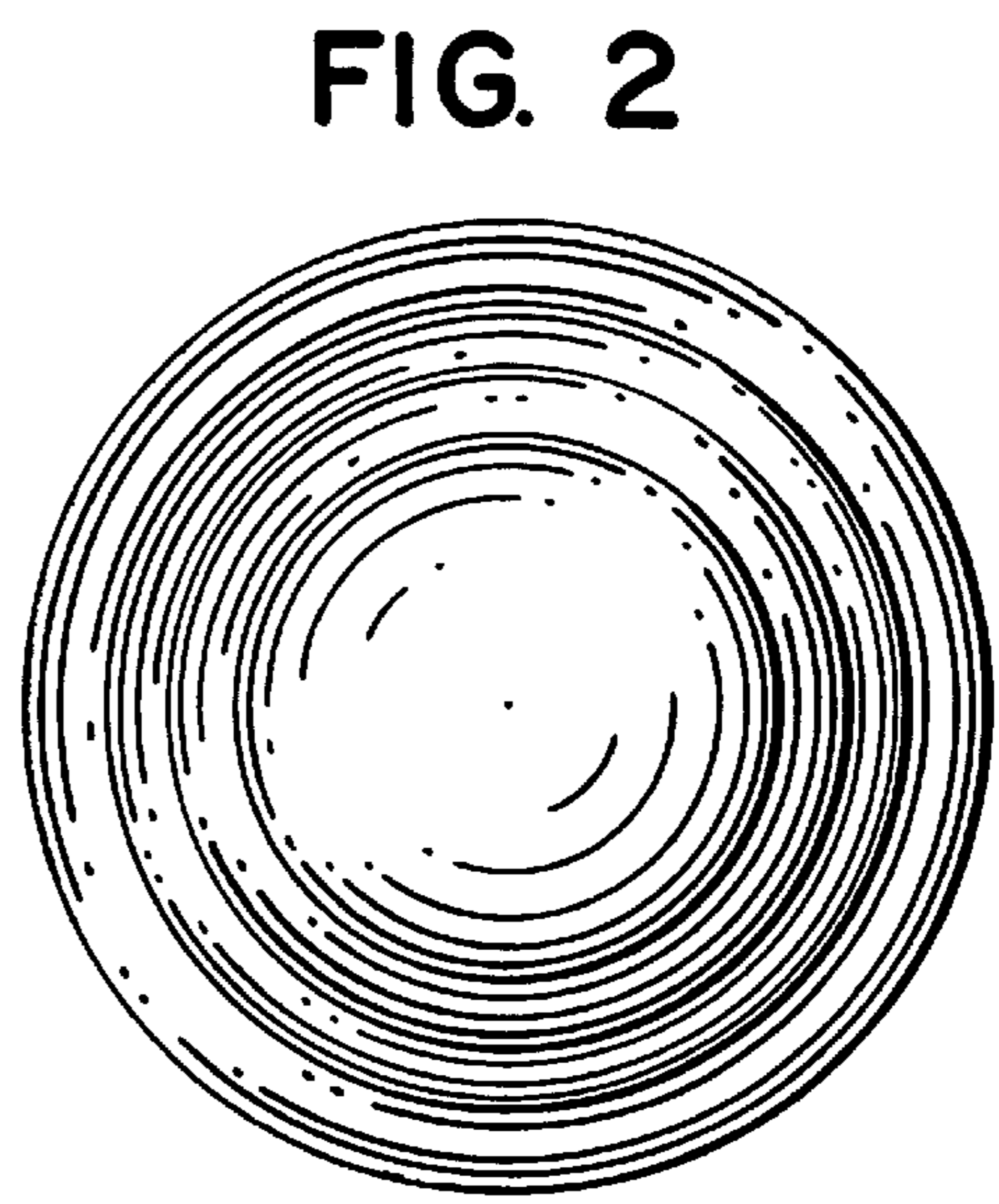


FIG. 2

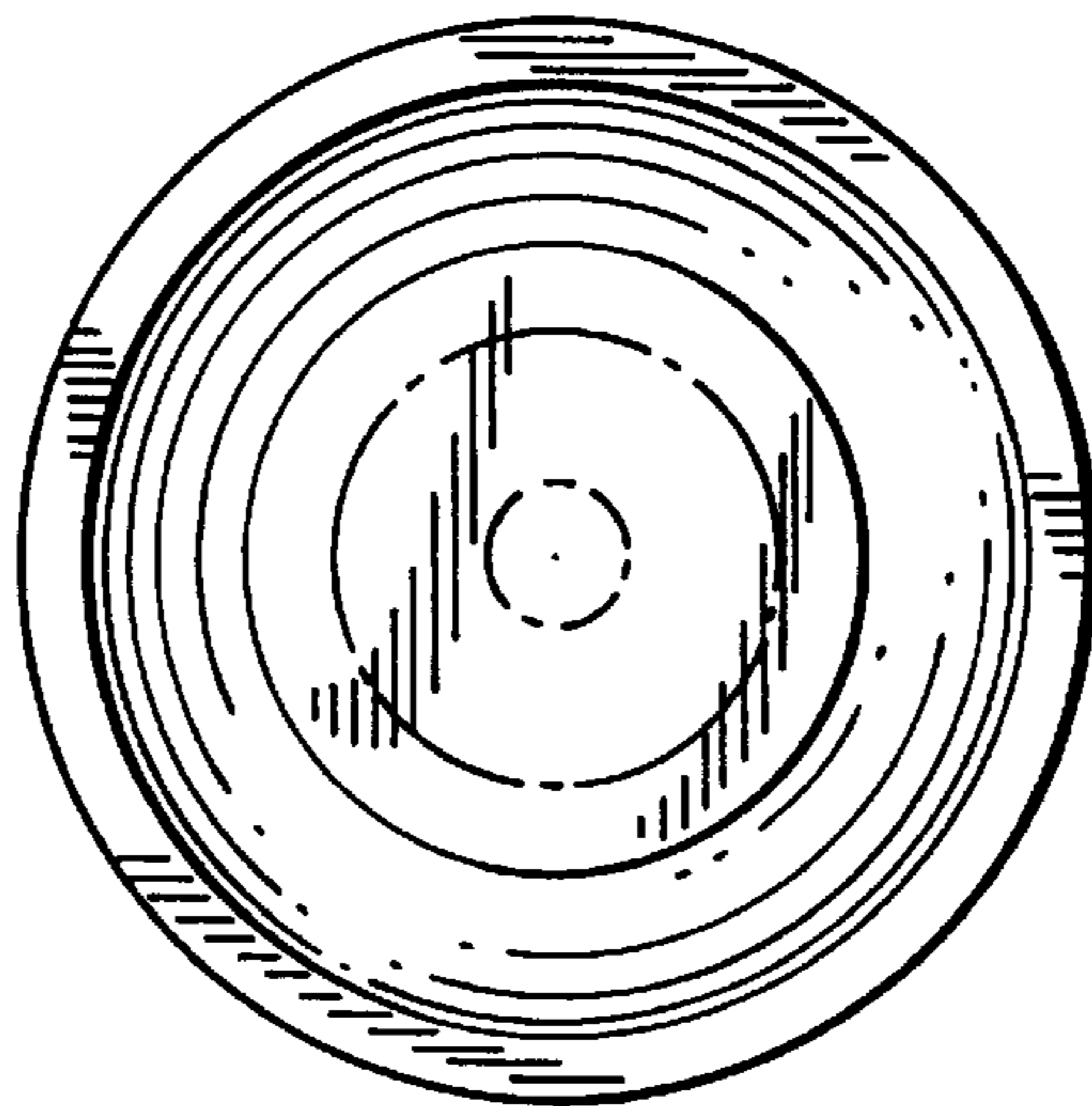


FIG. 3