



US00D435643S

# United States Patent [19] Williams

[11] Patent Number: **Des. 435,643**

[45] Date of Patent: **\*\* Dec. 26, 2000**

[54] **COMBINED CEILING FAN AND LIGHT  
FIXTURE**

*Primary Examiner—Lisa Lichtenstein  
Attorney, Agent, or Firm—Sidley & Austin*

[75] Inventor: **Tammy Williams**, Phoenix, Ariz.

[57] **CLAIM**

[73] Assignee: **Litex Industries, Inc.**, Grand Prairie,  
Tex.

The ornamental design for a combined ceiling fan and light  
fixture, as shown and described.

[\*\*] Term: **14 Years**

### DESCRIPTION

[21] Appl. No.: **29/110,410**

[22] Filed: **Sep. 3, 1999**

[51] **LOC (7) Cl.** ..... **23-04**

[52] **U.S. Cl.** ..... **D23/377; D23/411; D26/59**

[58] **Field of Search** ..... D23/377, 379,  
D23/385, 411, 413; 416/5; 362/96; 392/364;  
D26/59, 88, 81-86, 51, 72

FIG. 1 is a perspective view of a combined ceiling fan and  
light fixture embodying my design;

FIG. 2 is a rear view thereof;

FIG. 3 is a front view thereof;

FIG. 4 is a bottom view thereof; and,

FIG. 5 is a top view thereof.

The right and left side views are substantially identical to the  
front view except for the position of the blades. The rod has  
been shown broken away in the middle to indicate indeter-  
minate length.

### [56] **References Cited**

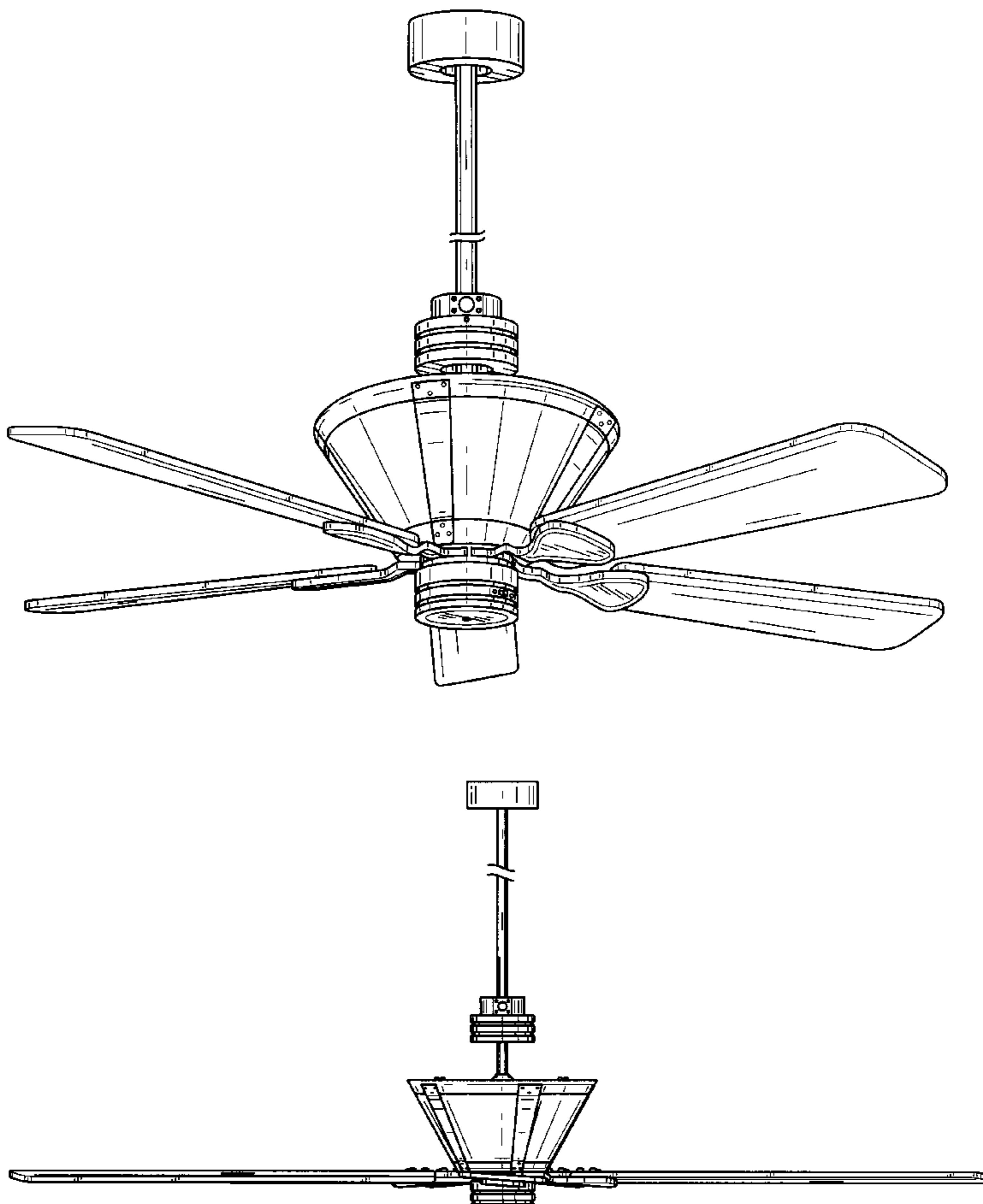
#### U.S. PATENT DOCUMENTS

D. 312,687 12/1990 Mason et al. .... D23/377

#### OTHER PUBLICATIONS

Craftmade Catalog, pp. 11 and 12, Ceiling Fan Nos. D52PB,  
D52PE, D52VG, SA52BL, SA52W, SA52PB, and  
SA52CH, 1995.

**1 Claim, 5 Drawing Sheets**



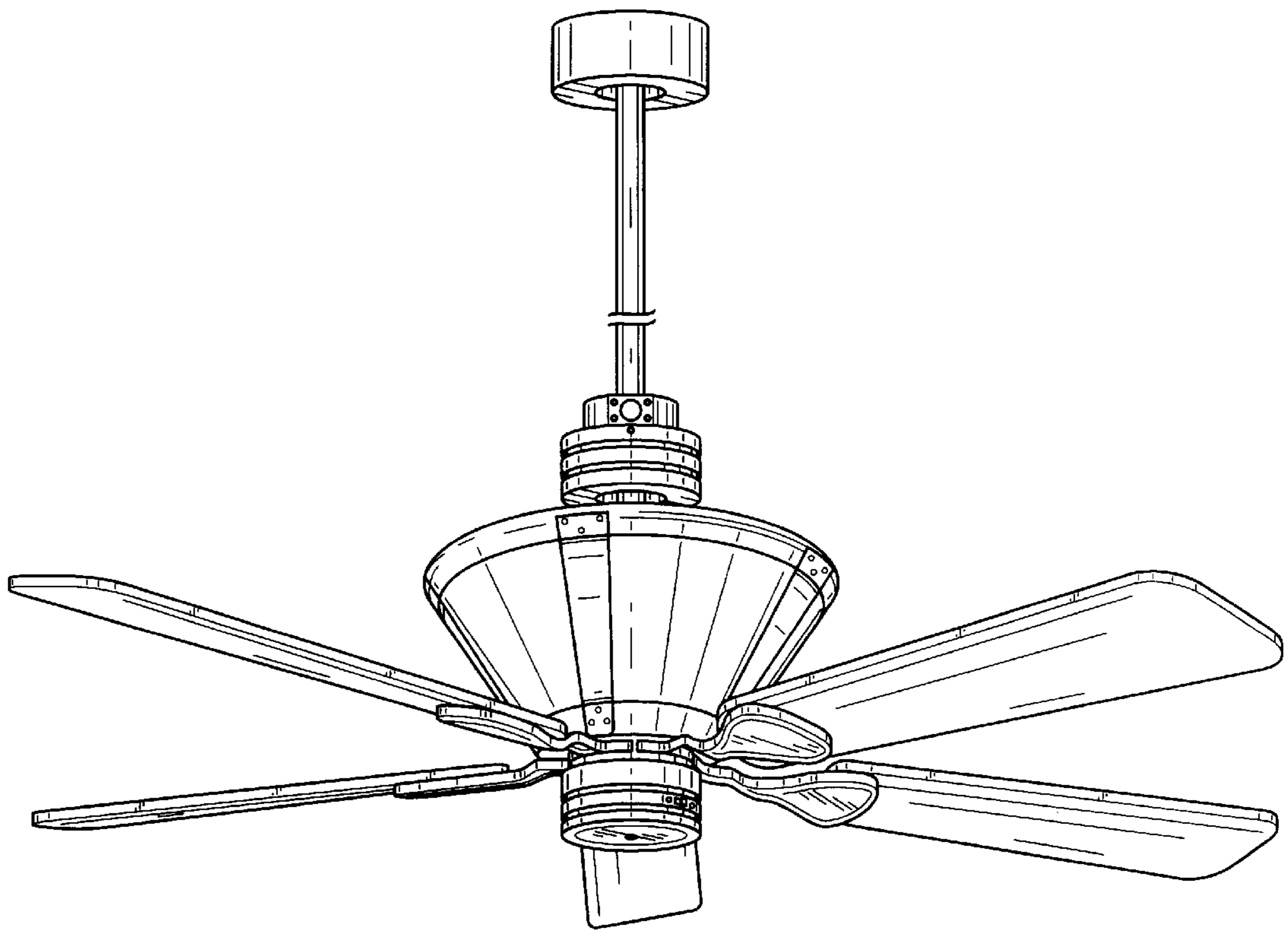


FIG. 1

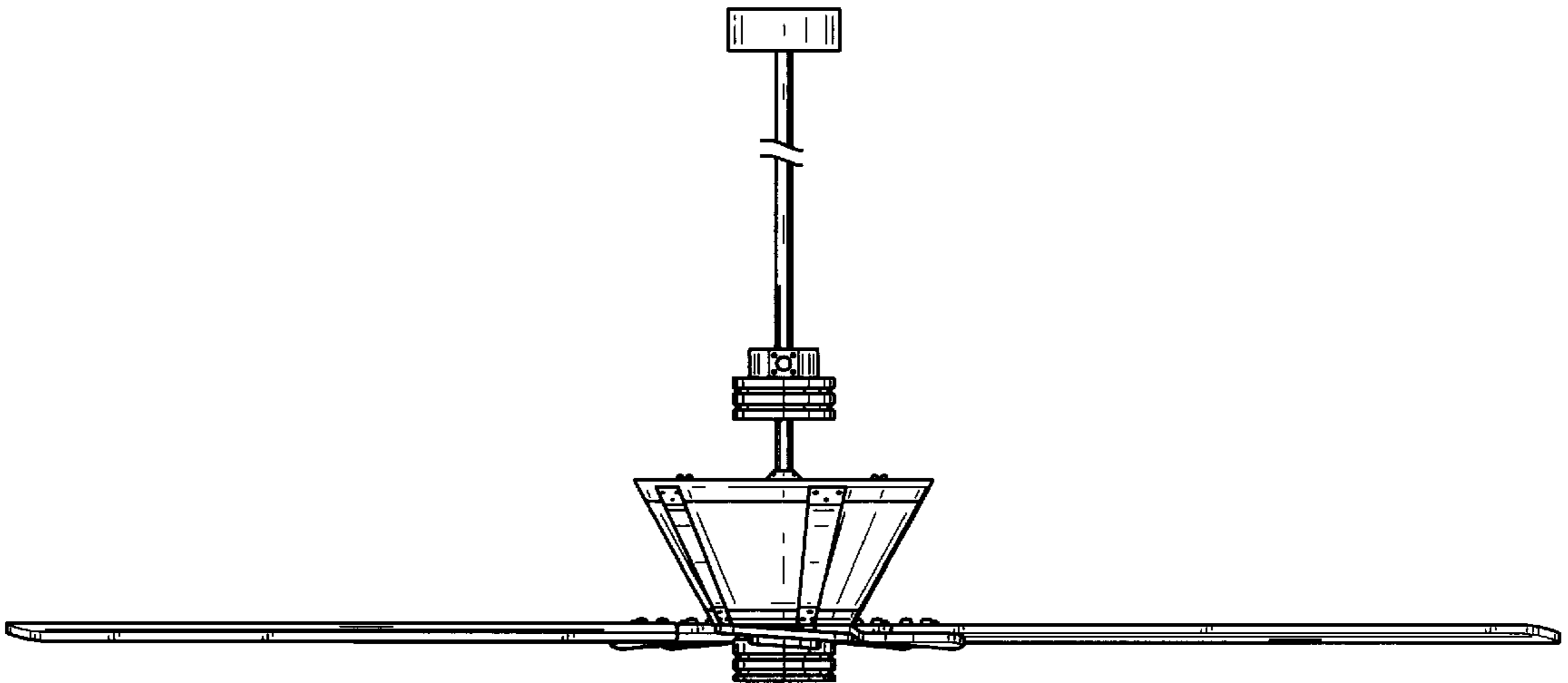


FIG. 2

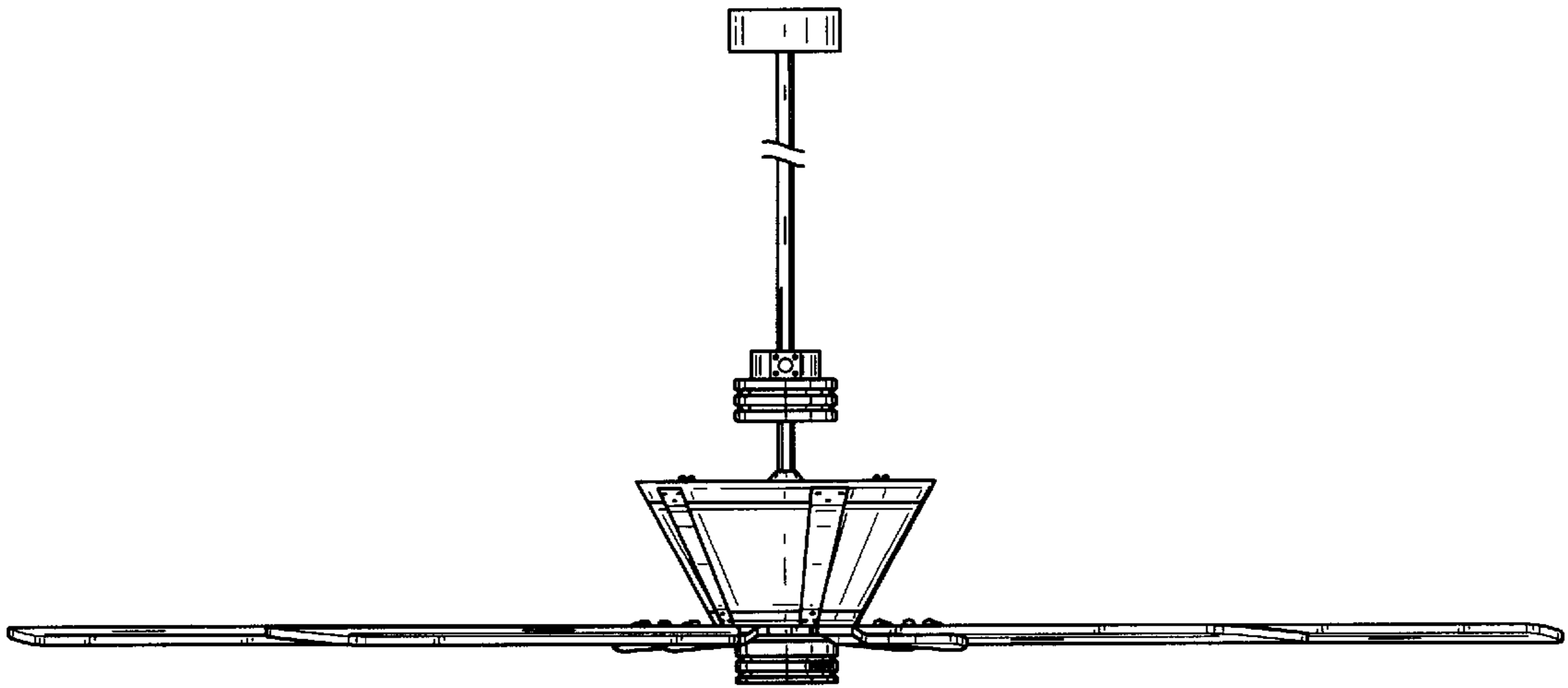


FIG. 3

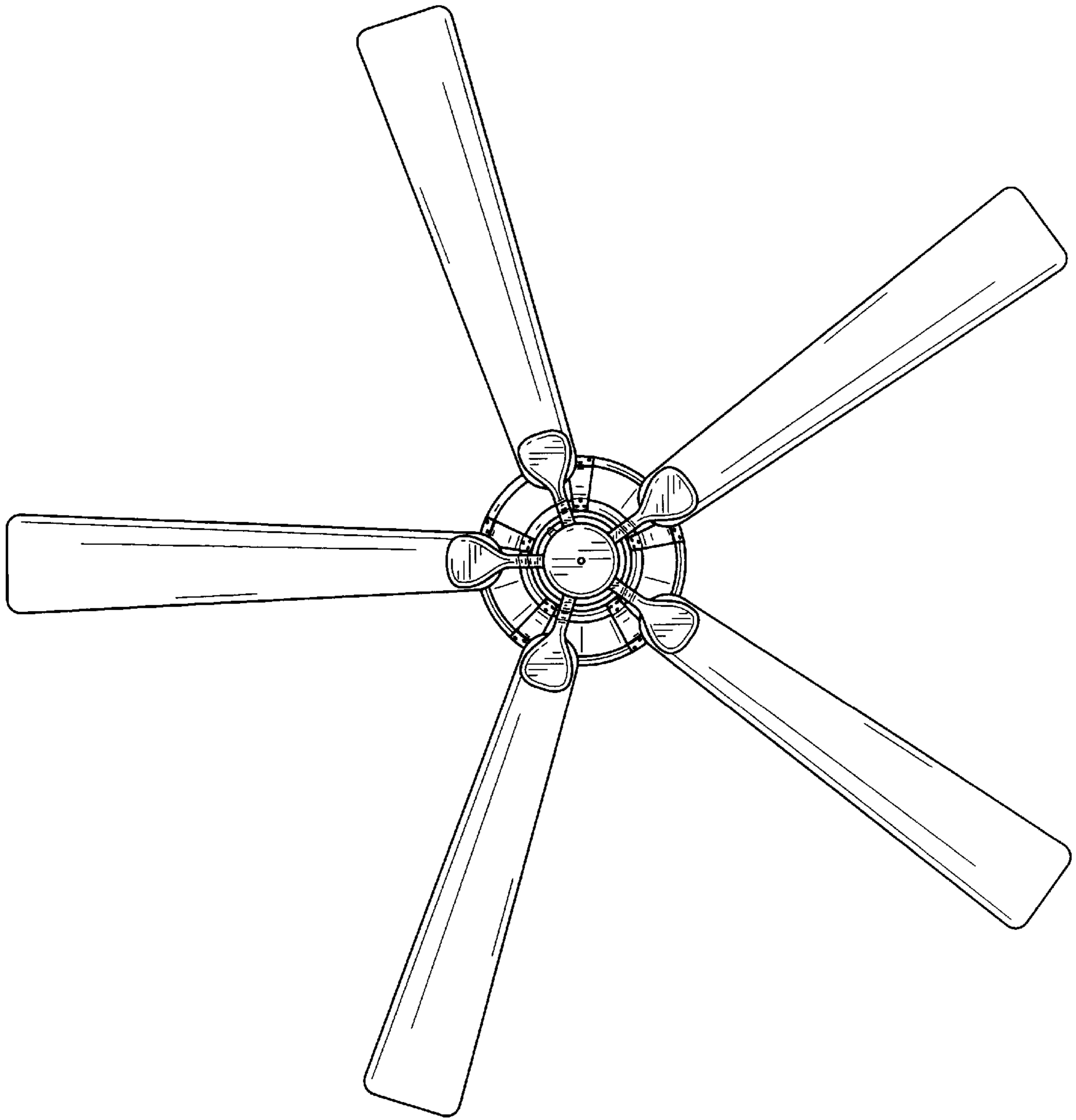


FIG. 4

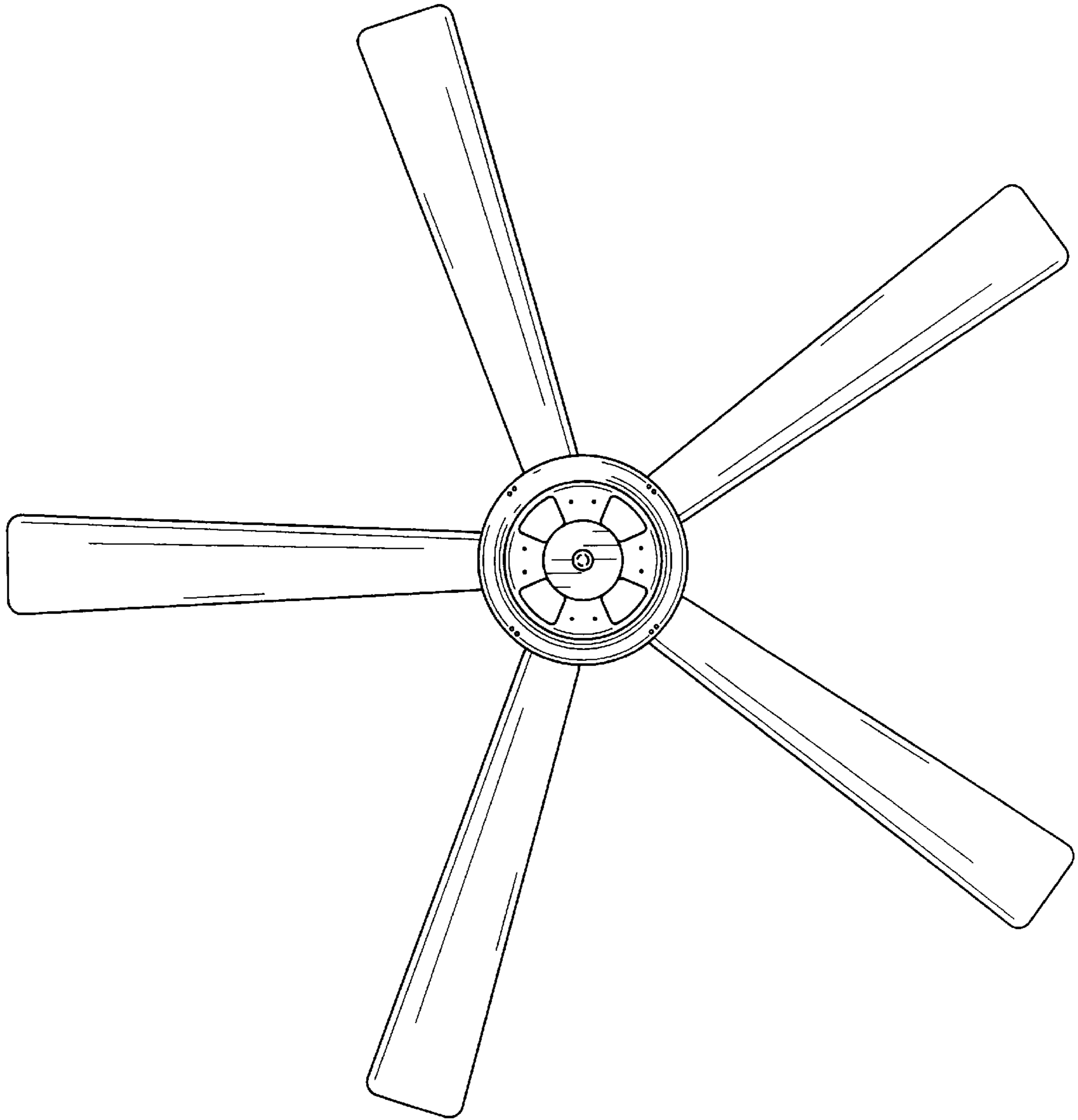


FIG. 5