



US00D435641S

United States Patent [19]

Clement et al.

[11] Patent Number: **Des. 435,641**

[45] Date of Patent: **** *Dec. 26, 2000**

[54] **SCENT DISPENSING RING FOR AN INCANDESCENT BULB**

[75] Inventors: **Sharon Clement**, Danvers; **Frank St. Onge**, Newburyport; **Keith Newfield**, Tewsbury, all of Mass.

[73] Assignee: **Osram Sylvania Inc.**, Danvers, Mass.

[*] Notice: This patent is subject to a terminal disclaimer.

[**] Term: **14 Years**

[21] Appl. No.: **29/107,421**

[22] Filed: **Jul. 6, 1999**

[51] **LOC (7) Cl.** **23-04**

[52] **U.S. Cl.** **D23/366**

[58] **Field of Search** D23/366-369; 239/60, 57, 53, 54, 34; 422/120, 123, 125; D26/51; 261/DIG. 65

[56] **References Cited**

U.S. PATENT DOCUMENTS

D. 363,537 10/1995 Moody D23/367

D. 373,183 8/1996 Beyer D23/366
1,403,548 1/1922 Gudeman D26/51
1,556,680 10/1925 Dormont D26/51
2,435,756 2/1948 Schlesinger 261/DIG. 65

Primary Examiner—Lisa Lichtenstein
Attorney, Agent, or Firm—William H. McNeill

[57] **CLAIM**

The ornamental design for a scent dispensing ring for an incandescent bulb, substantially as shown and described.

DESCRIPTION

FIG. 1 is a front elevational view of a scent dispensing ring for an incandescent bulb, the rear, left, and right sides being identical to that shown;

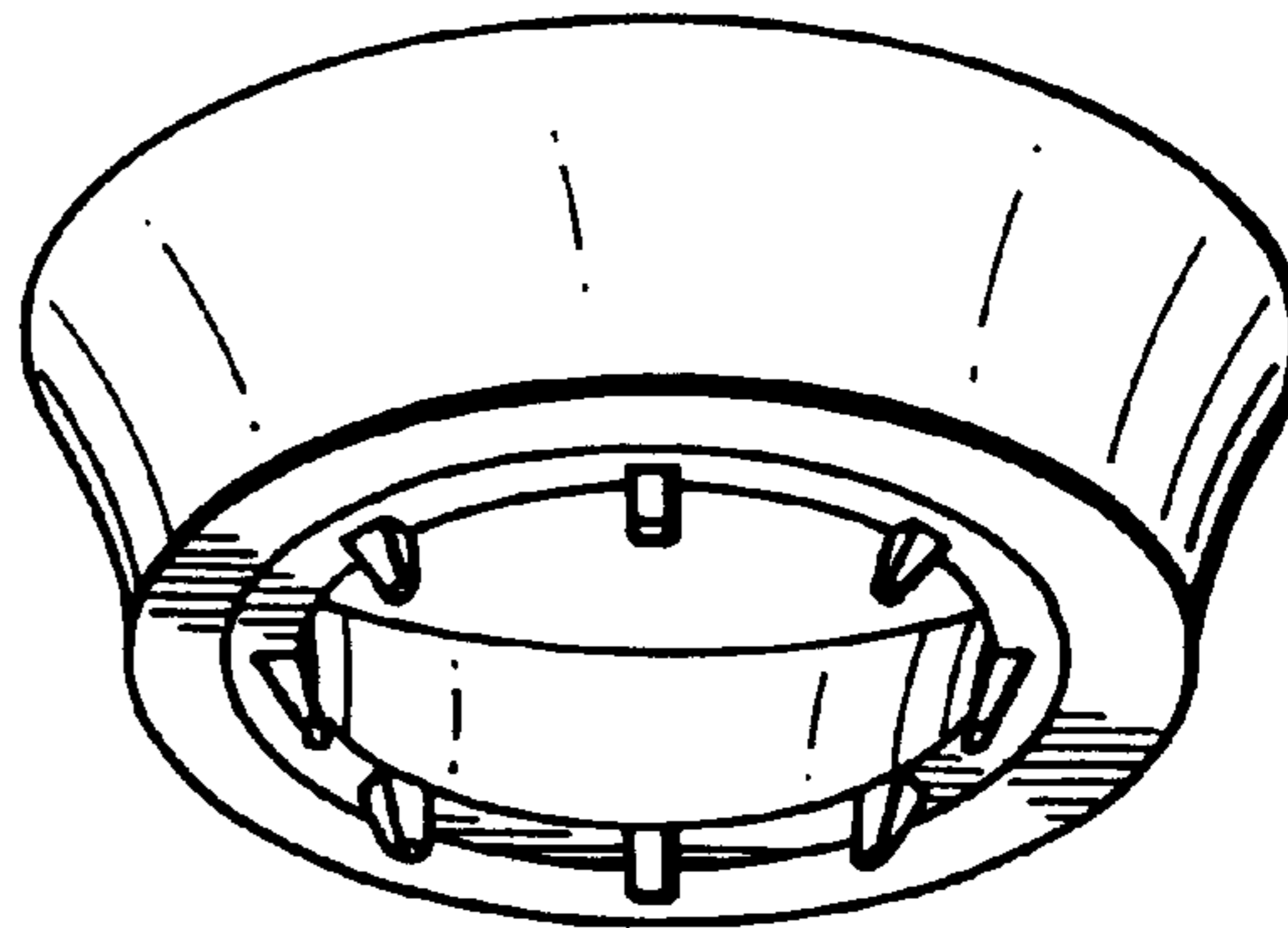
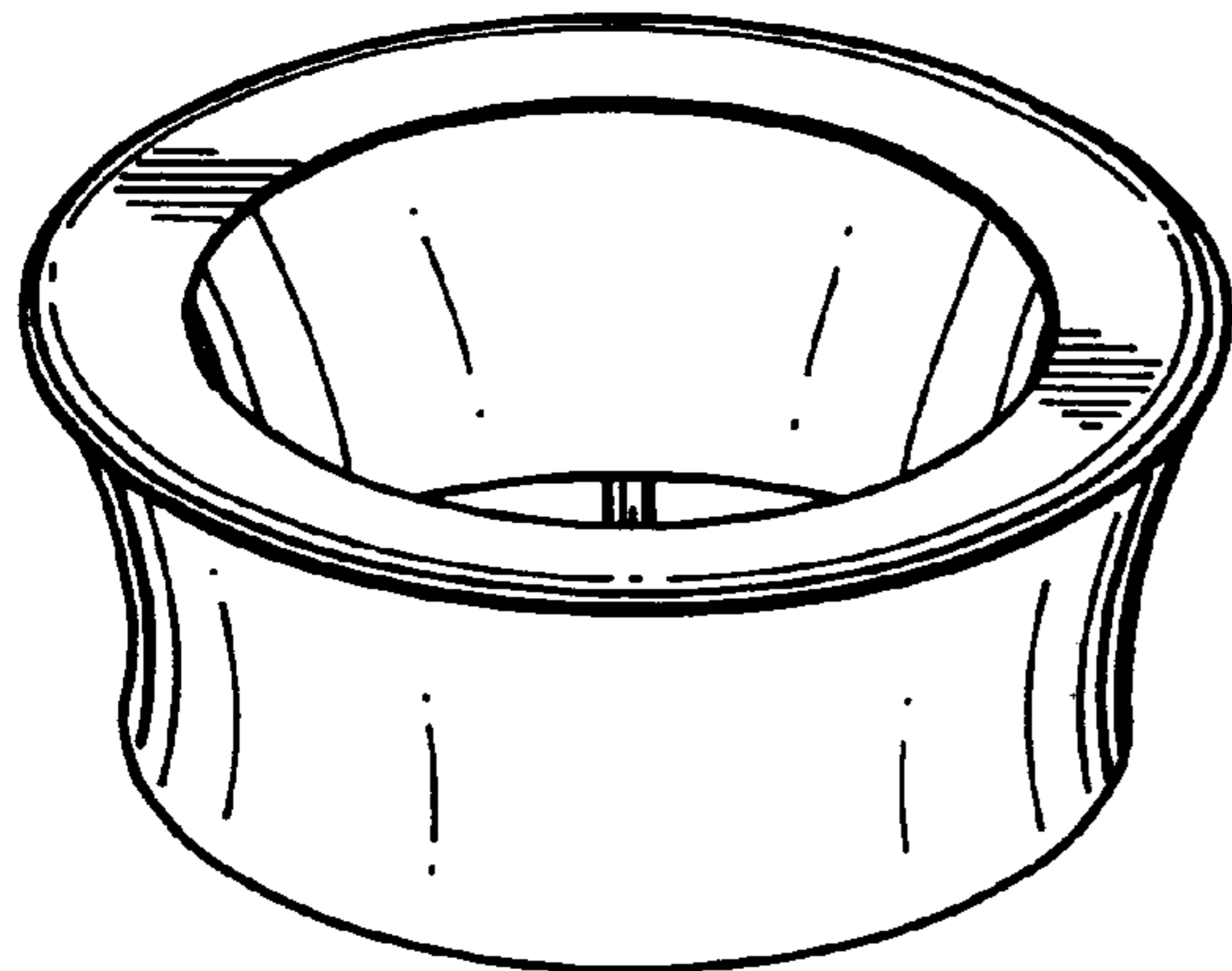
FIG. 2 is a top, plan view thereof;

FIG. 3 is a bottom plan view thereof;

FIG. 4 is a top, perspective view thereof; and,

FIG. 5 is a bottom, perspective thereof.

1 Claim, 1 Drawing Sheet



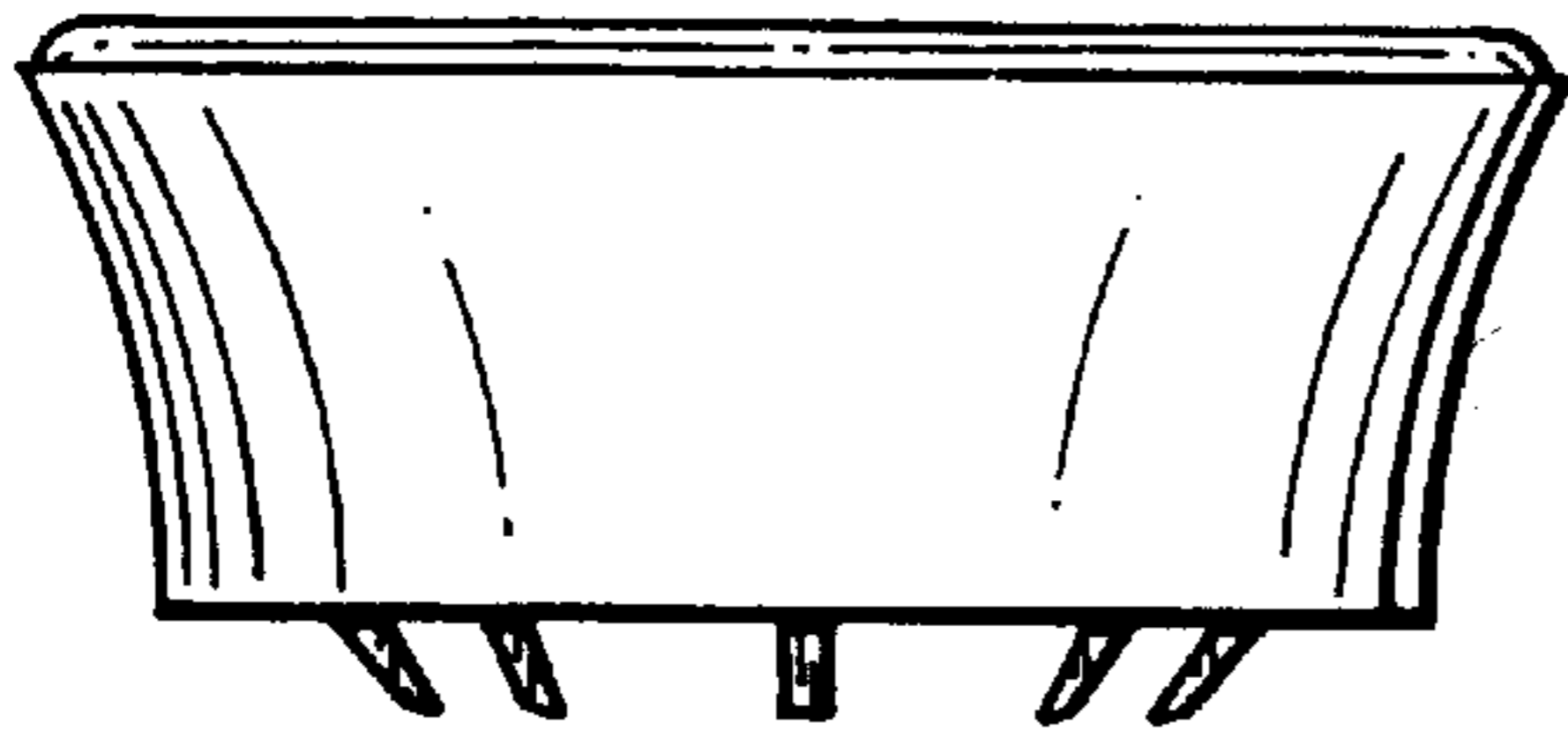


FIG. 1

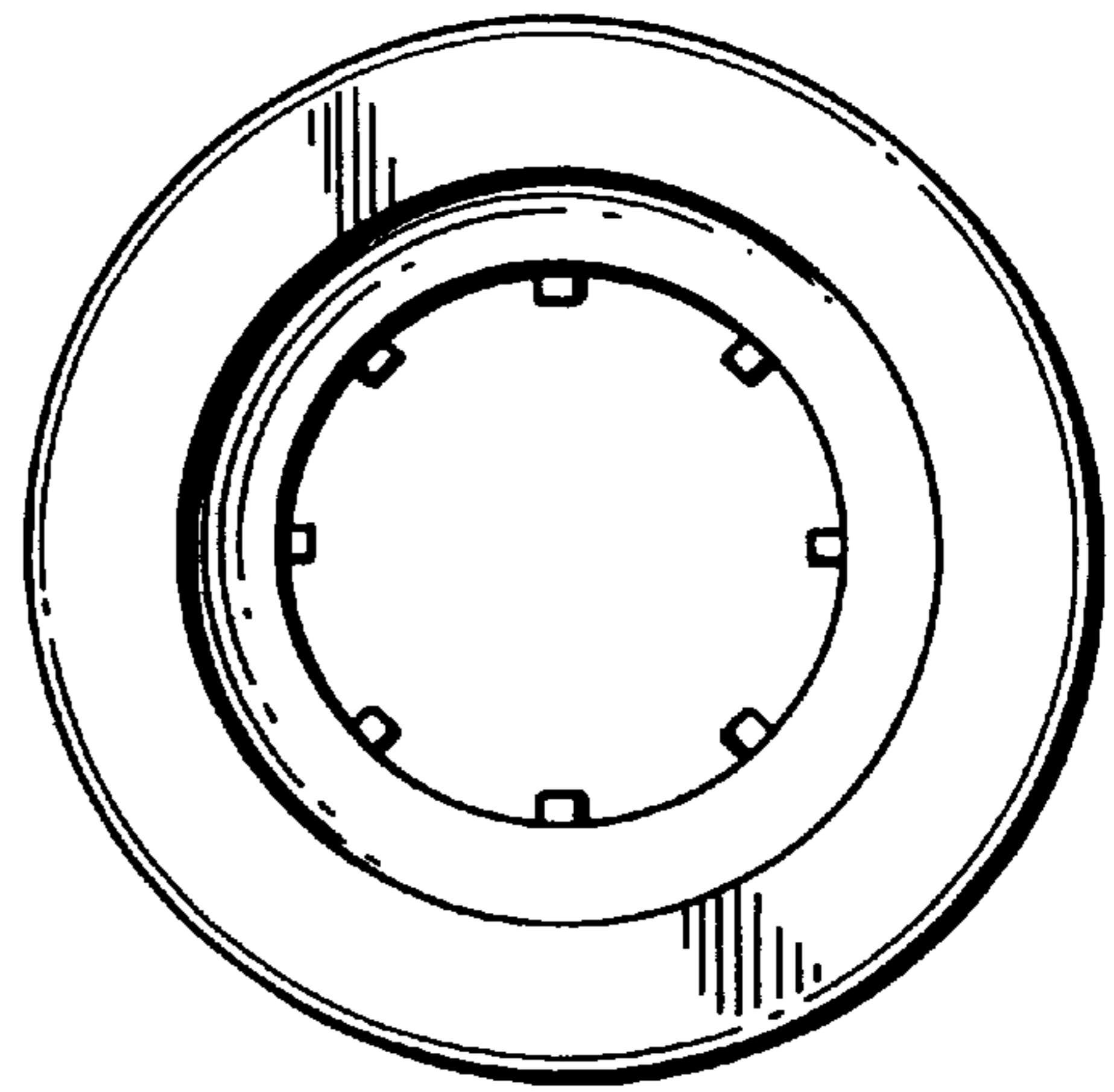


FIG. 2

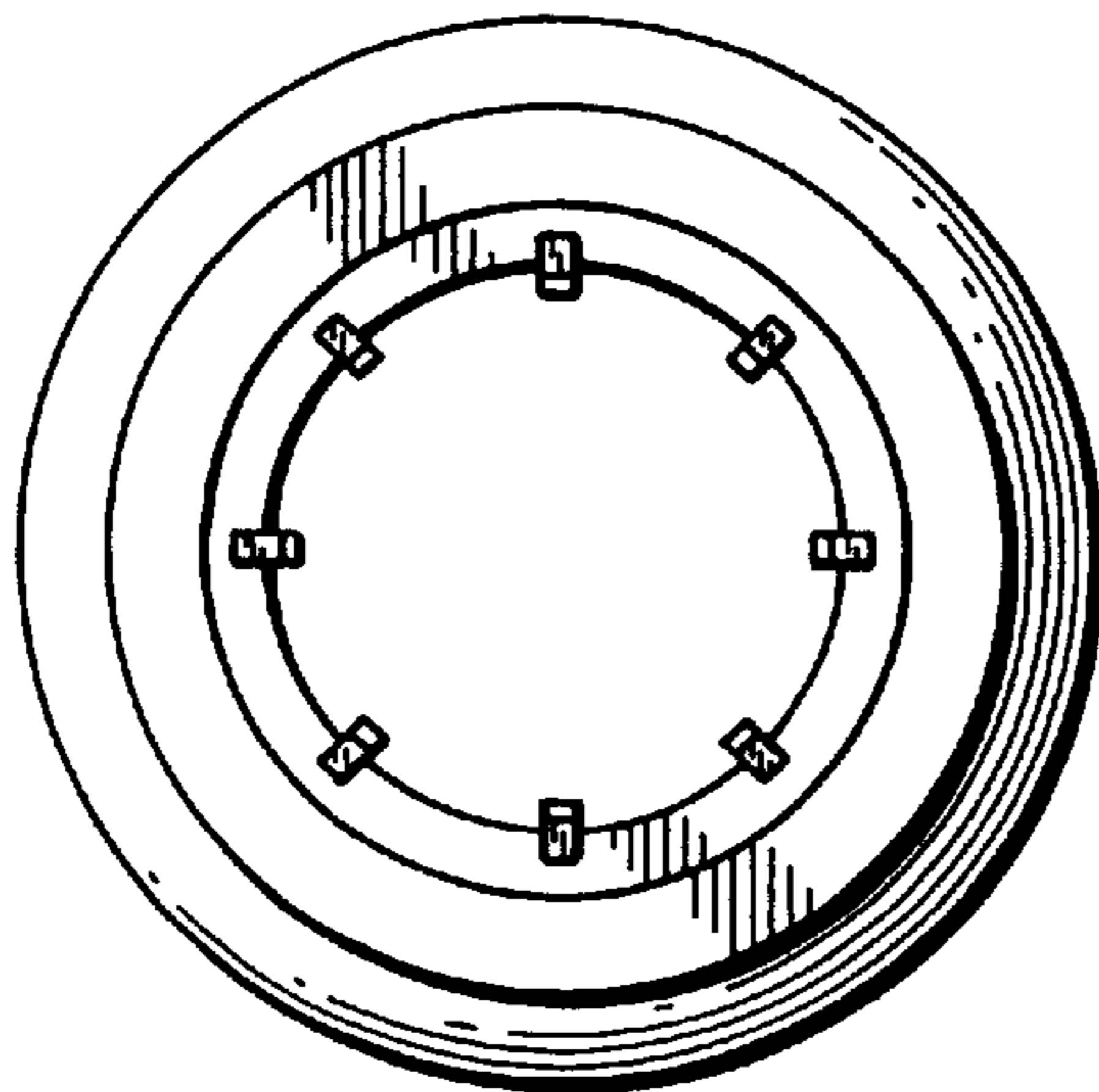


FIG. 3

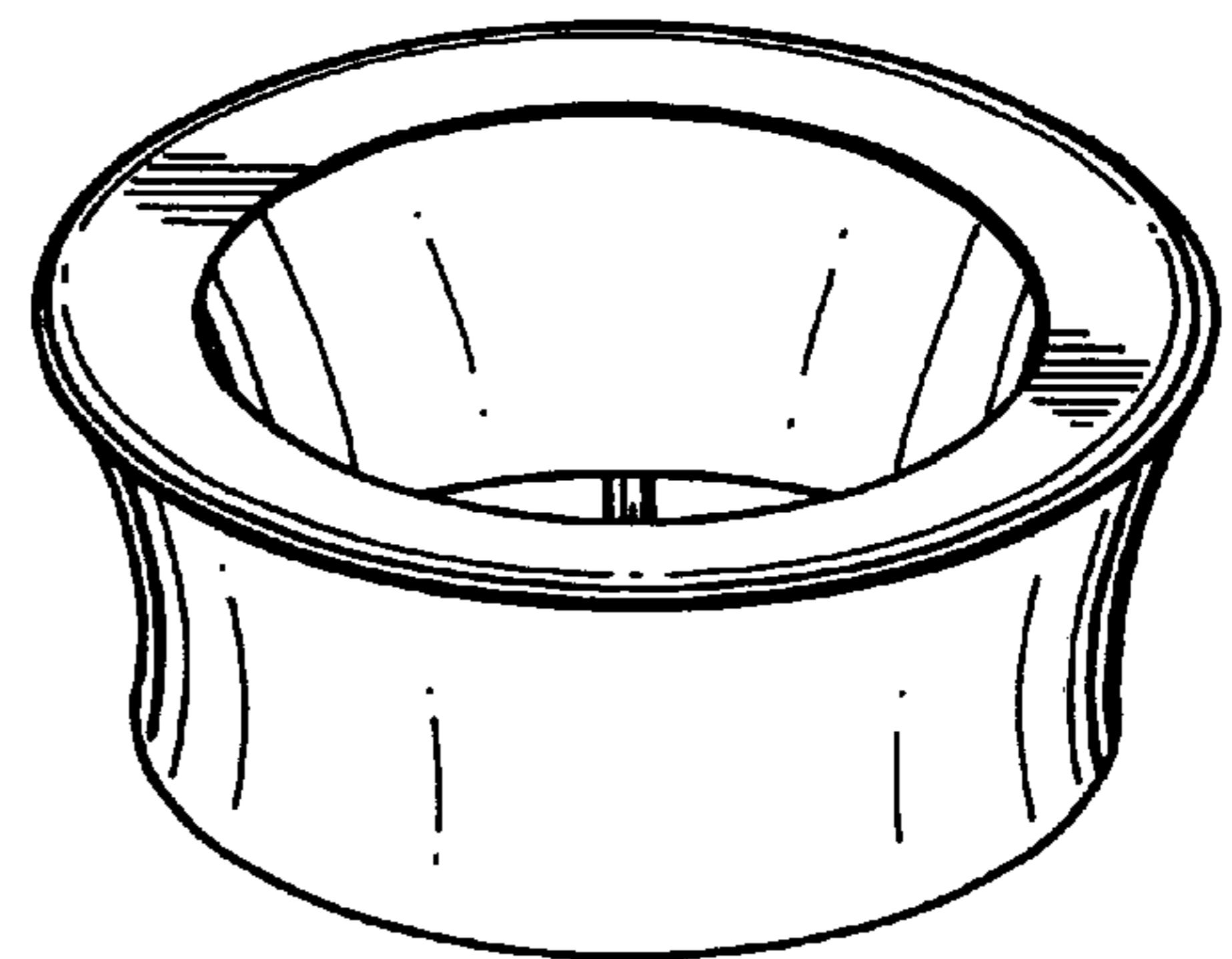


FIG. 4

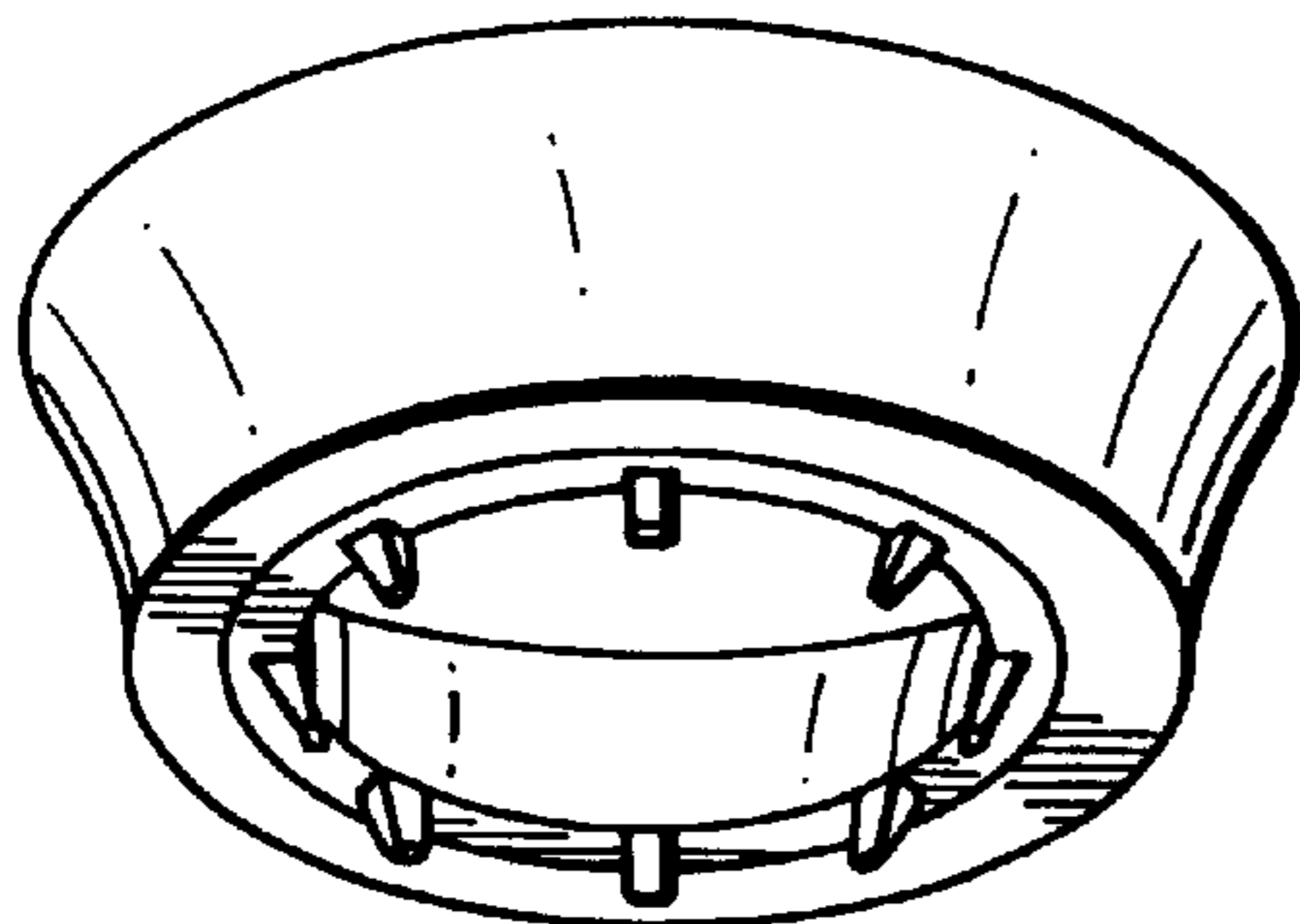


FIG. 5