



US00D435638S

# United States Patent [19]

[11] Patent Number: Des. 435,638

Merry et al.

[45] Date of Patent: \*\* Dec. 26, 2000

## [54] COMBINATION ADULT AND CHILD TOILET SEAT ASSEMBLY

[75] Inventors: **Thomas G. Merry; William R. Tomerlin**, both of Gardnerville, Nev.

[73] Assignee: **Pottypal L.L.C.**, Gardnerville, Calif.

[\*\*] Term: **14 Years**

[21] Appl. No.: **29/117,315**

[22] Filed: **Jan. 24, 2000**

[51] LOC (7) Cl. .... **23-02**

[52] U.S. Cl. .... **D23/311**

[58] Field of Search ..... D23/311; 4/235, 4/237, 239, 234

### [56] References Cited

#### U.S. PATENT DOCUMENTS

D. 305,357	1/1990	Ritzer	.....	D23/311
D. 356,635	3/1995	Roth	.....	D23/311
D. 392,727	3/1998	Riddick	.....	D23/311
5,363,509	11/1994	Evans	.....	4/235

Primary Examiner—Doris Clark

Attorney, Agent, or Firm—Flehr Hohbach Test Albritton & Herbert LLP

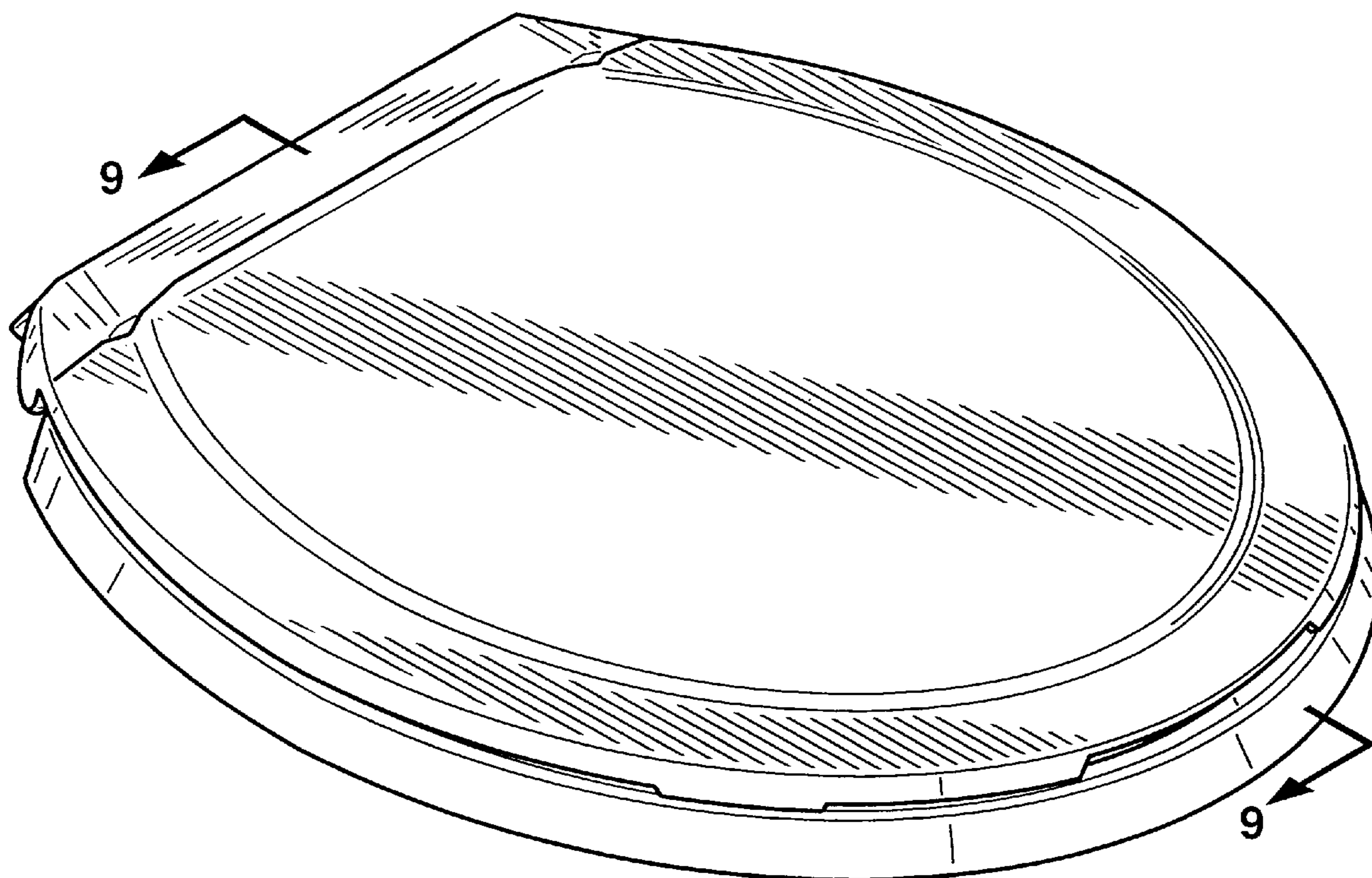
## [57] CLAIM

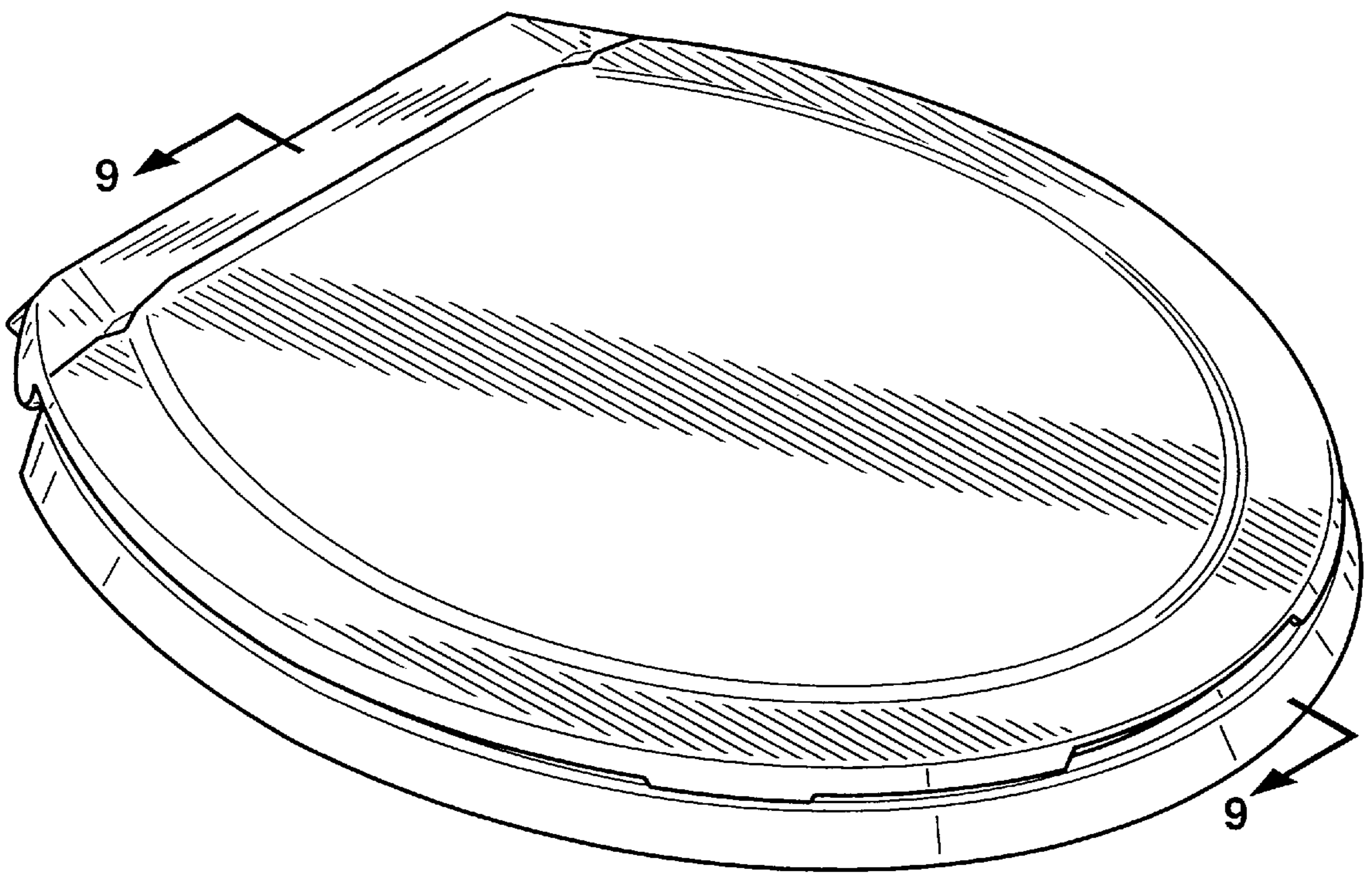
The ornamental design for a combination adult and child toilet seat assembly, as shown and described.

## DESCRIPTION

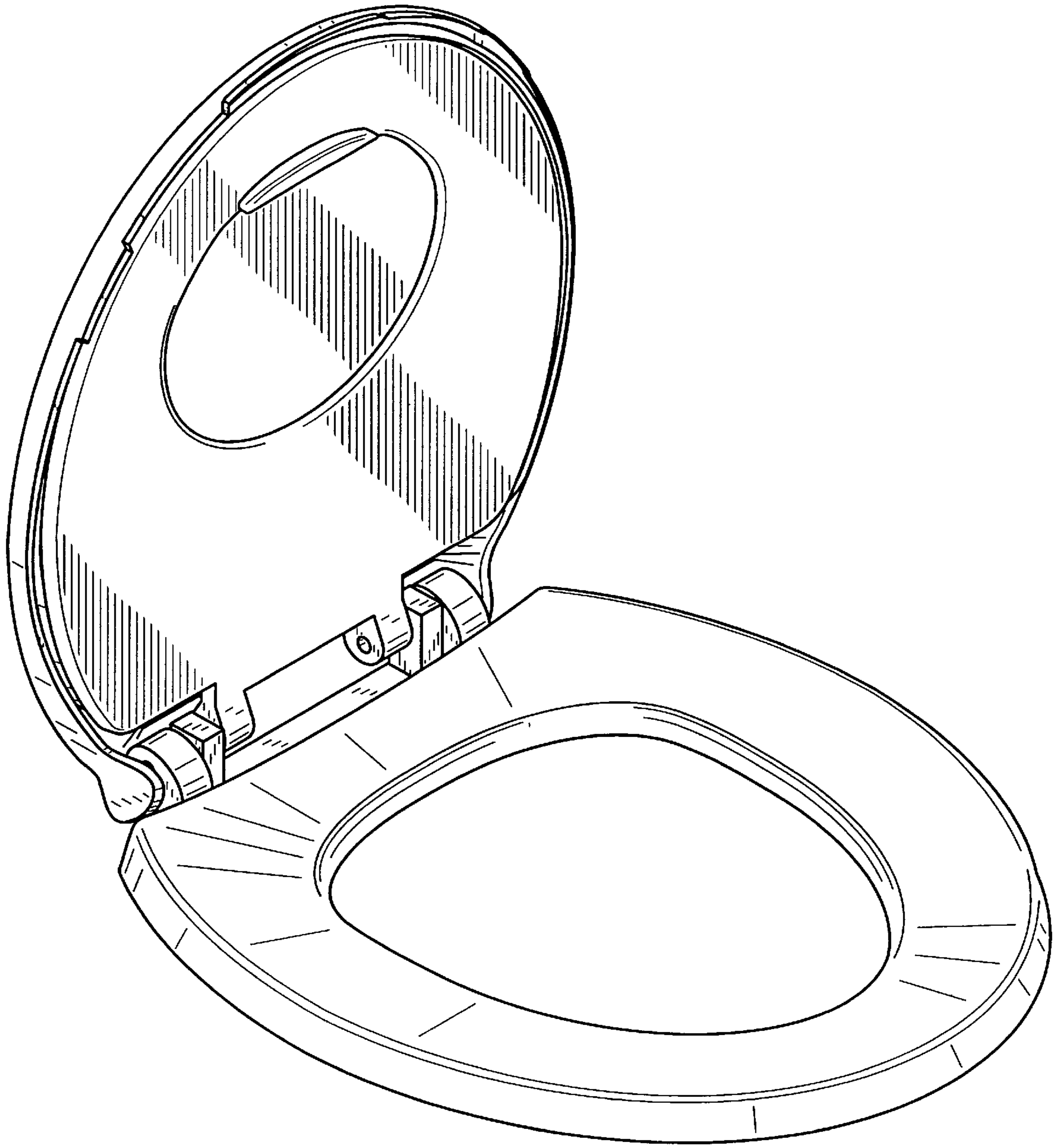
FIG. 1 is a top perspective view with the lid down showing our new design;  
 FIG. 2 is a top perspective view with the lid and child's seat up;  
 FIG. 3 is a top perspective view with only the lid up;  
 FIG. 4 is a top plan view thereof;  
 FIG. 5 is a bottom plan view thereof;  
 FIG. 6 is a front elevation view thereof;  
 FIG. 7 is a rear elevation view thereof;  
 FIG. 8 is a side elevation view of one side thereof with the other side being a mirror image;  
 FIG. 9 is a cross sectional view taken along line 9—9 of FIG. 1;  
 FIG. 10 is a top plan view of the child's seat;  
 FIG. 11 is a bottom plan view of the child's seat;  
 FIG. 12 is a front elevation of the child's seat;  
 FIG. 13 is a rear elevation of the child's seat; and,  
 FIG. 14 is a side elevation of the child's seat.

1 Claim, 8 Drawing Sheets

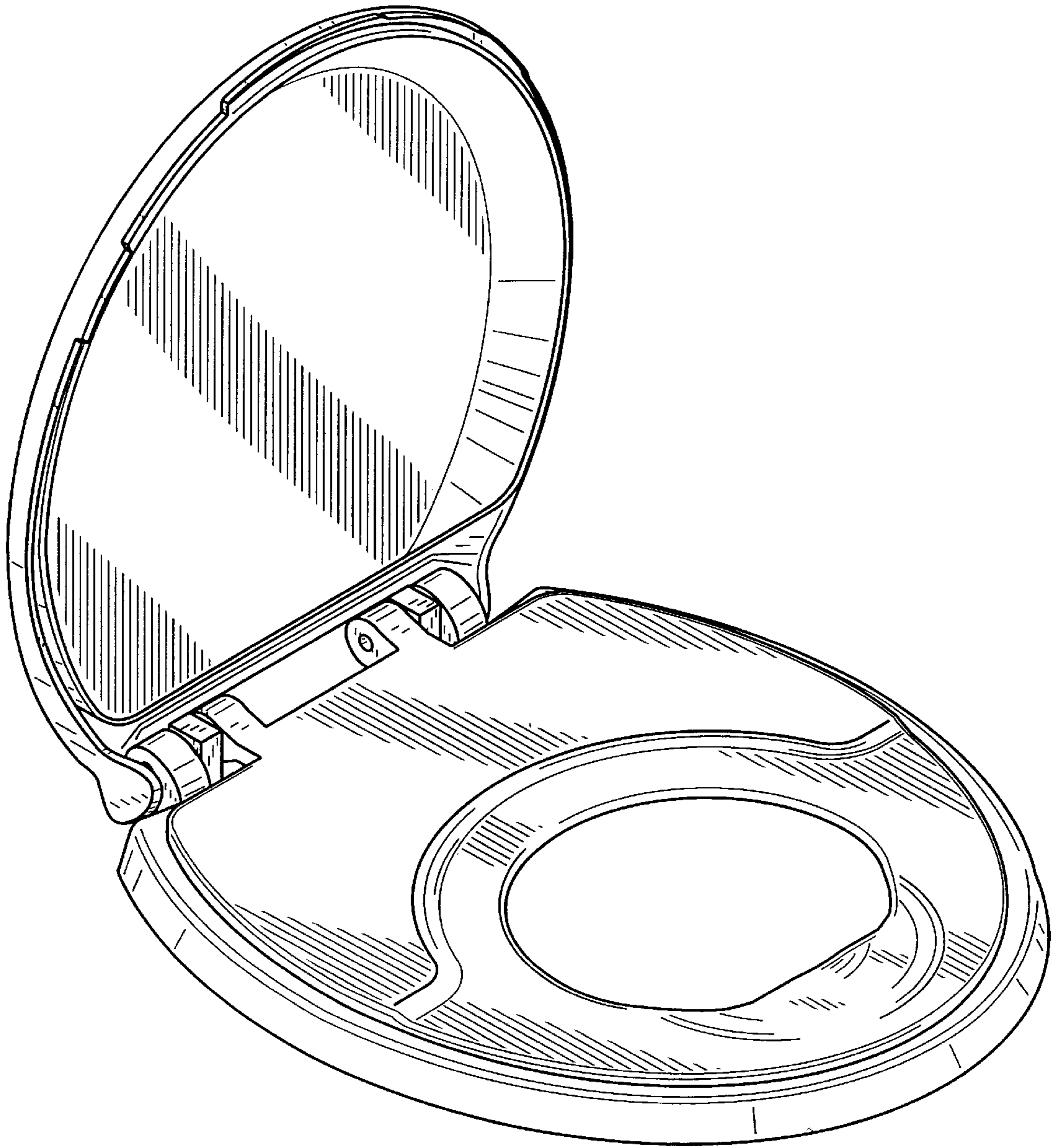




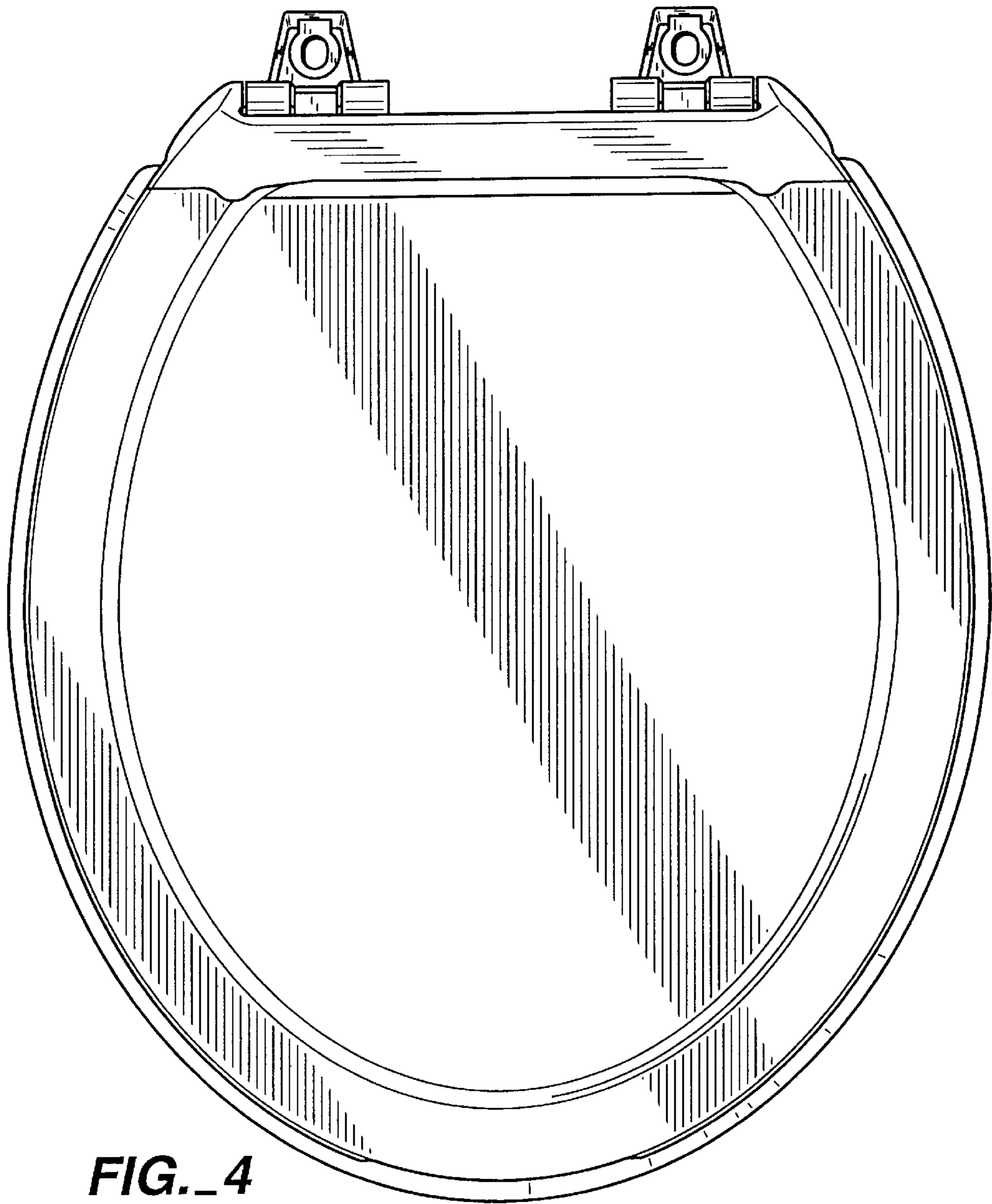
**FIG. 1**



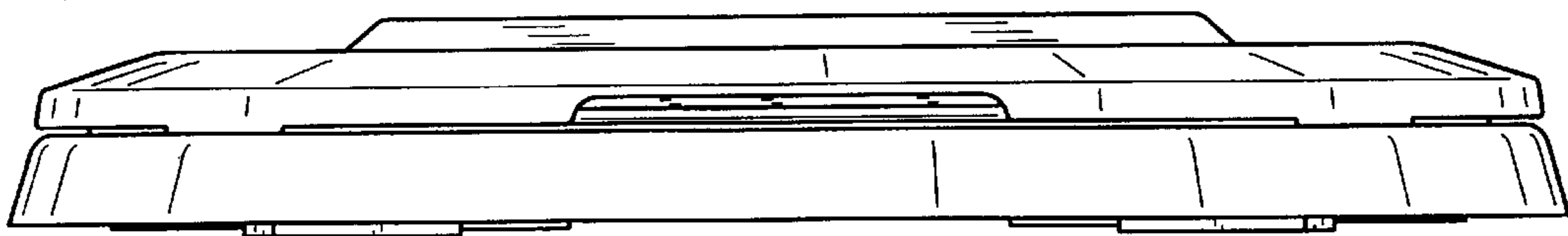
**FIG. 2**



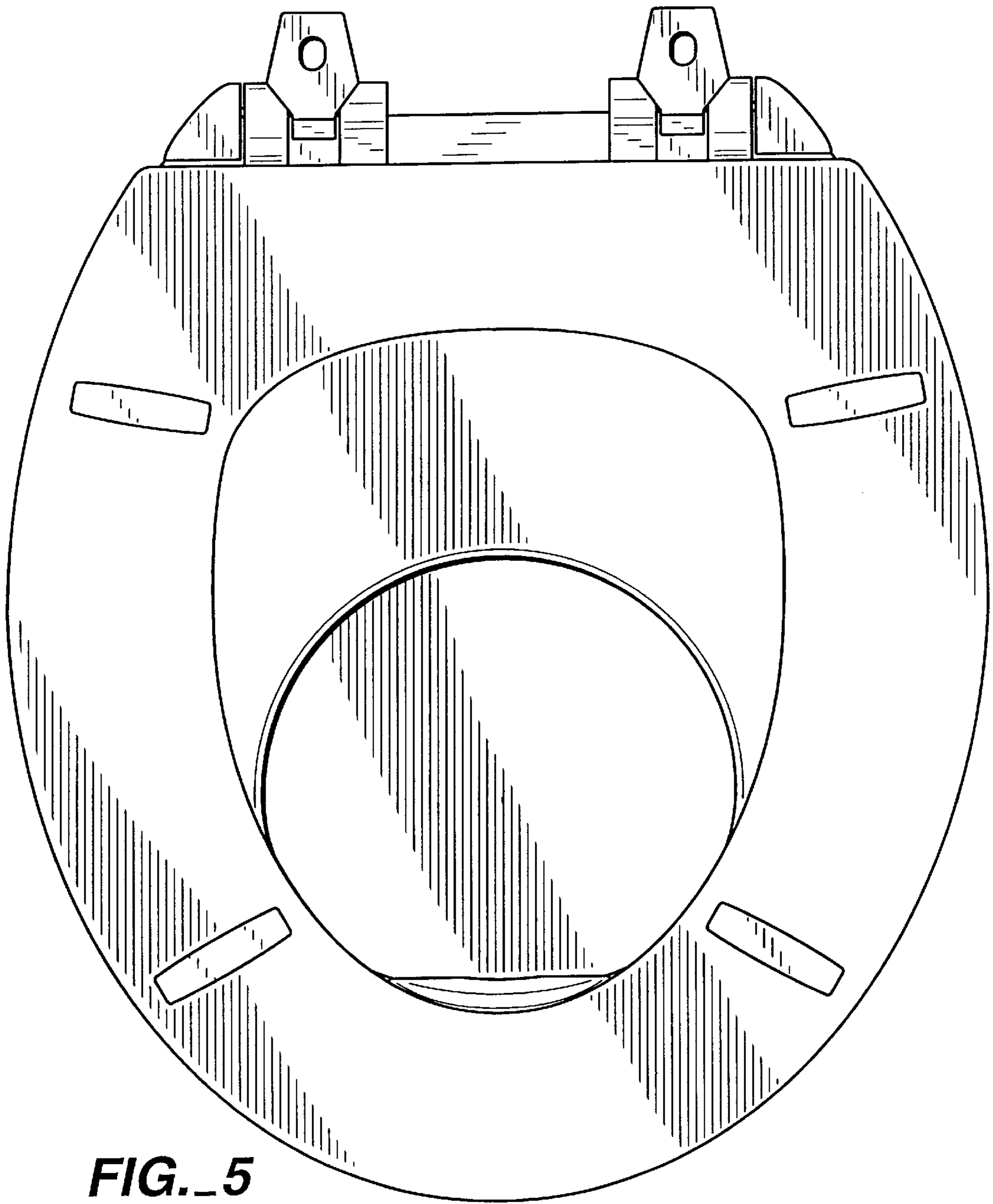
**FIG. 3**



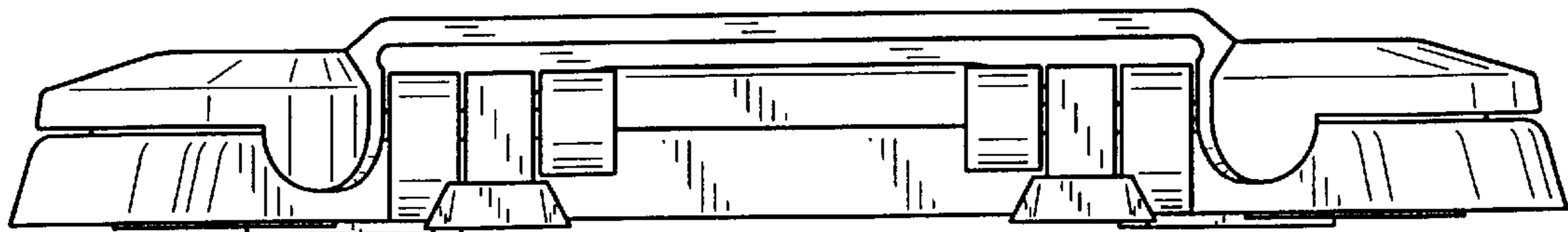
**FIG. 4**



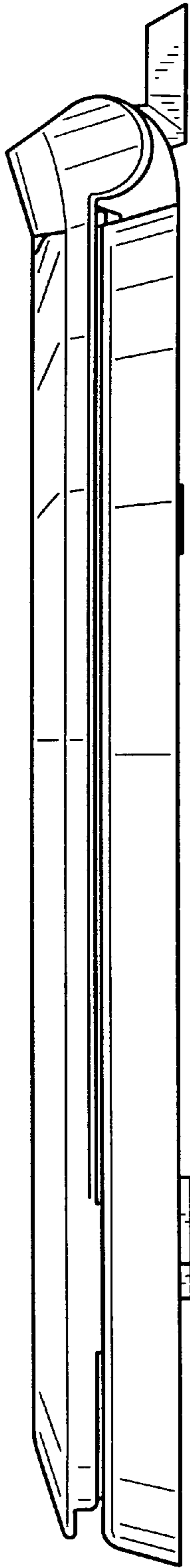
**FIG. 6**



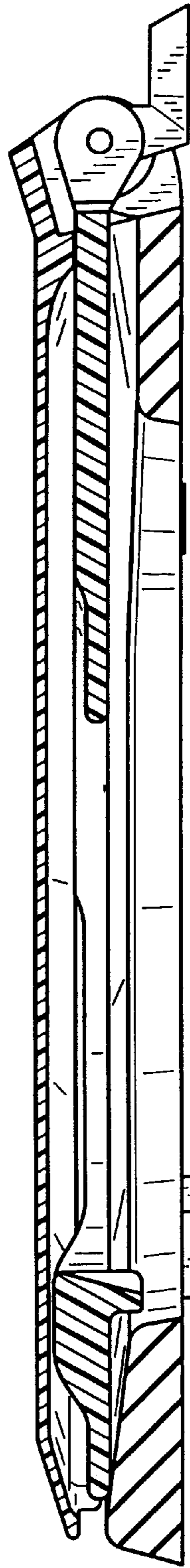
**FIG. 5**



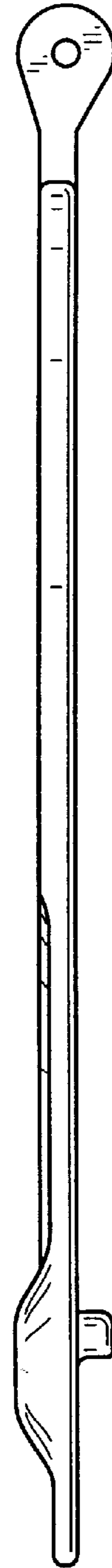
**FIG. 7**



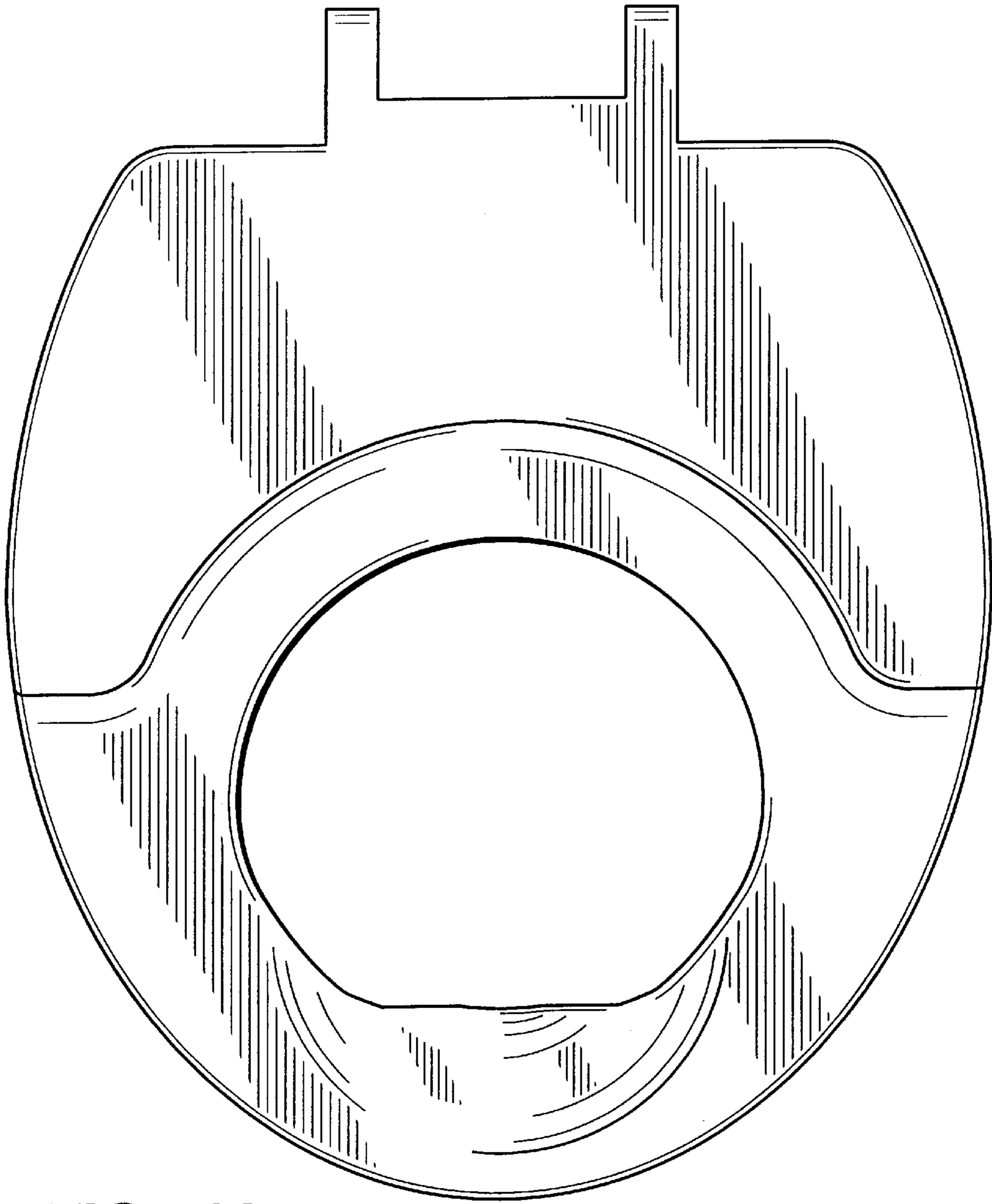
**FIG. 8**



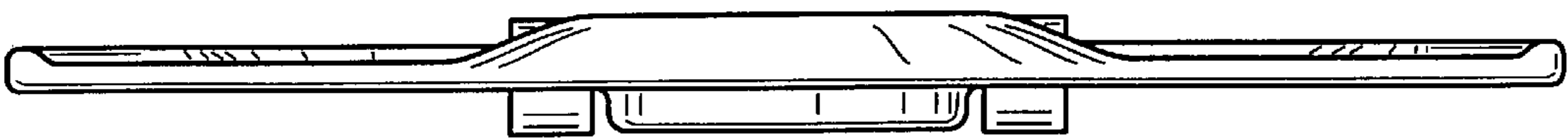
**FIG. 9**



**FIG. 14**

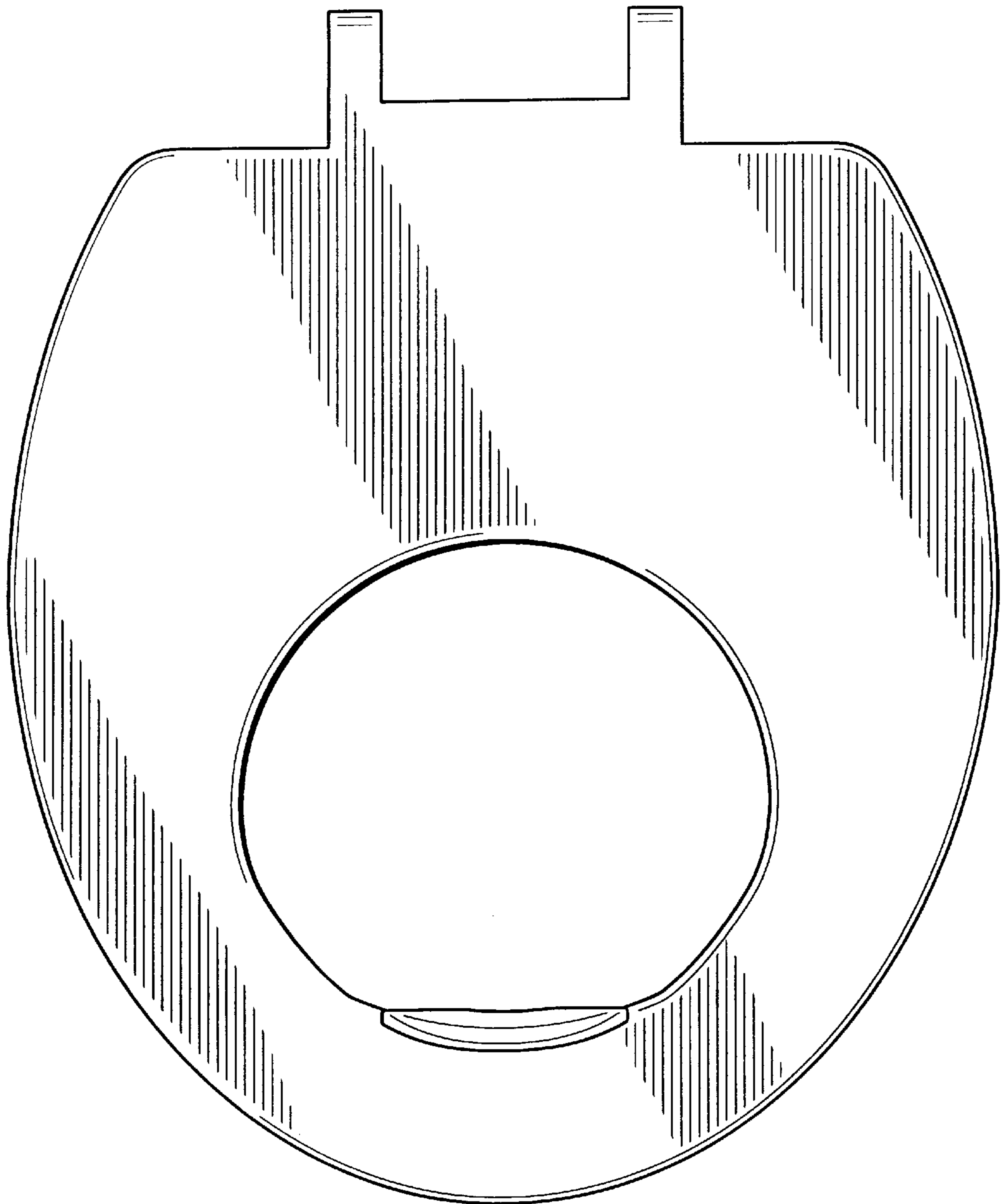


**FIG. 10**

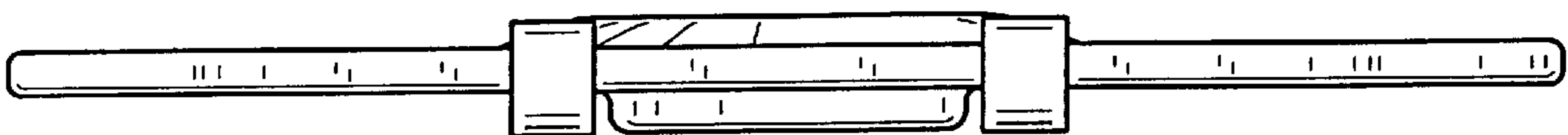


**FIG. 12**





**FIG. 11**



**FIG. 13**