



US00D435637S

# United States Patent [19] Wales

[11] Patent Number: **Des. 435,637**

[45] Date of Patent: **\*\* Dec. 26, 2000**

[54] **SHOWER ARM DIVERTER**

[76] Inventor: **Michael Wales**, 21 Knoll St., Riverside, Conn. 06878

[\*\*] Term: **14 Years**

[21] Appl. No.: **29/110,997**

[22] Filed: **Sep. 16, 1999**

[51] **LOC (7) Cl.** ..... **23-01**

[52] **U.S. Cl.** ..... **D23/263**

[58] **Field of Search** ..... D23/263, 233, D23/241, 283, 304; 285/132.1; 251/324; 239/574, 76, 553.3; 4/605; 137/861

[56] **References Cited**

**U.S. PATENT DOCUMENTS**

D. 347,271	5/1994	Inda et al. ....	D23/263
463,281	11/1891	Libbey .....	285/132.1
581,342	4/1897	Engel .....	285/132.1
2,216,460	10/1940	Sisk .....	285/132.1
2,238,521	4/1941	Gustafson .....	239/574
2,975,983	3/1961	Niebling .....	137/861
3,831,860	8/1974	Gullaksen et al. ....	239/553.3
4,191,332	3/1980	De Langis et al. ....	239/574
4,865,254	9/1989	Kragle .....	137/861
5,007,664	4/1991	Mann .....	285/132.1

5,152,464	10/1992	Farley .....	239/553.3
5,379,982	1/1995	Koyomogi et al. ....	251/324
5,788,160	8/1998	Woog .....	4/605

*Primary Examiner*—Alan P. Douglas  
*Assistant Examiner*—Reid Hecker  
*Attorney, Agent, or Firm*—St.Onge Steward Johnston & Reens LLC

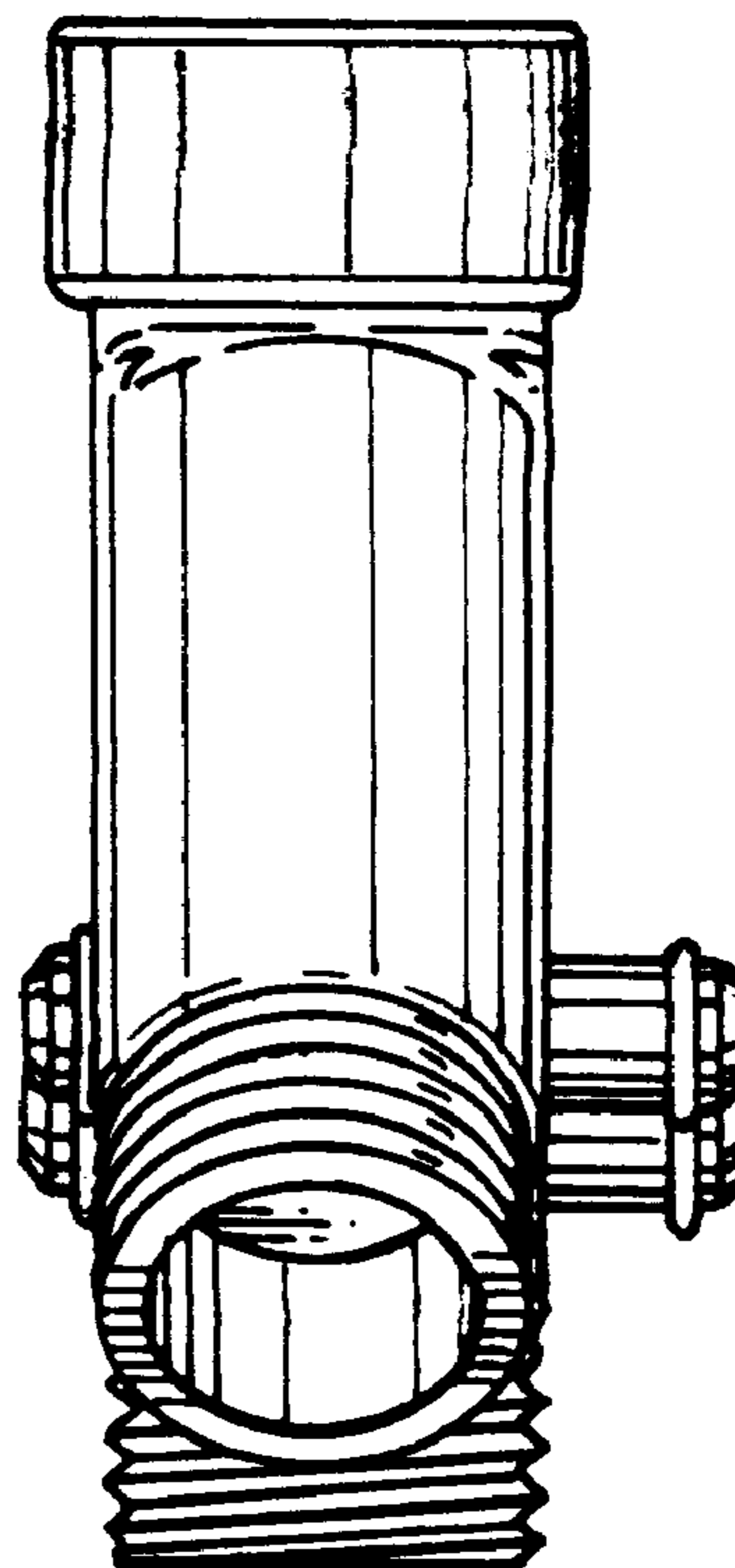
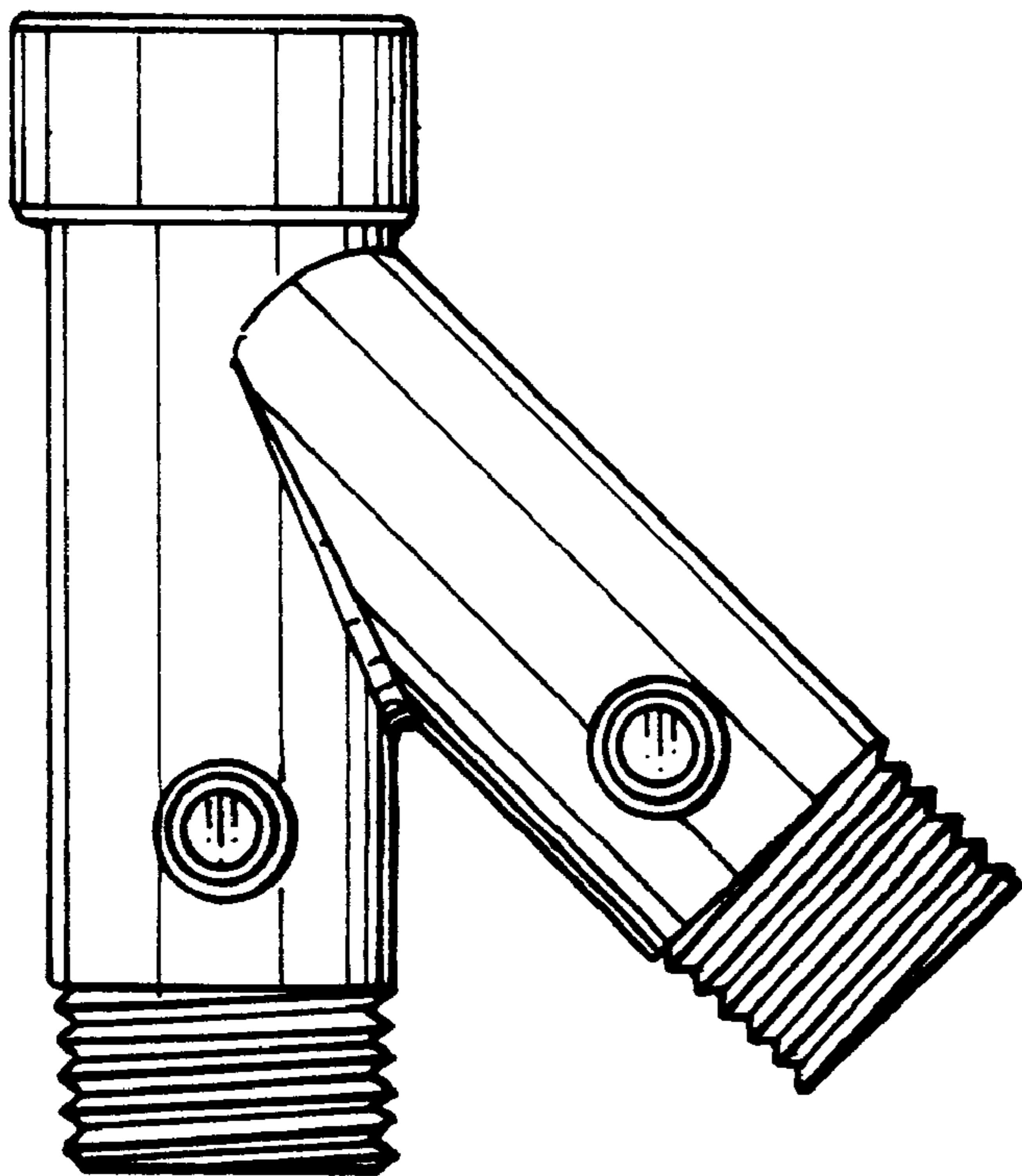
[57] **CLAIM**

The ornamental design for a shower arm diverter, as shown and described.

**DESCRIPTION**

FIG. 1 is a perspective view of a shower arm diverter in accordance with the design.  
FIG. 2 is a top plan view of a shower arm diverter in accordance with the design.  
FIG. 3 is a left side view of a shower arm diverter in accordance with the design.  
FIG. 4 is a right side view of a shower arm diverter in accordance with the design.  
FIG. 5 is one end view of a shower arm diverter in accordance with the design; and,  
FIG. 6 is another end view of a shower arm diverter in accordance with the design.

**1 Claim, 1 Drawing Sheet**



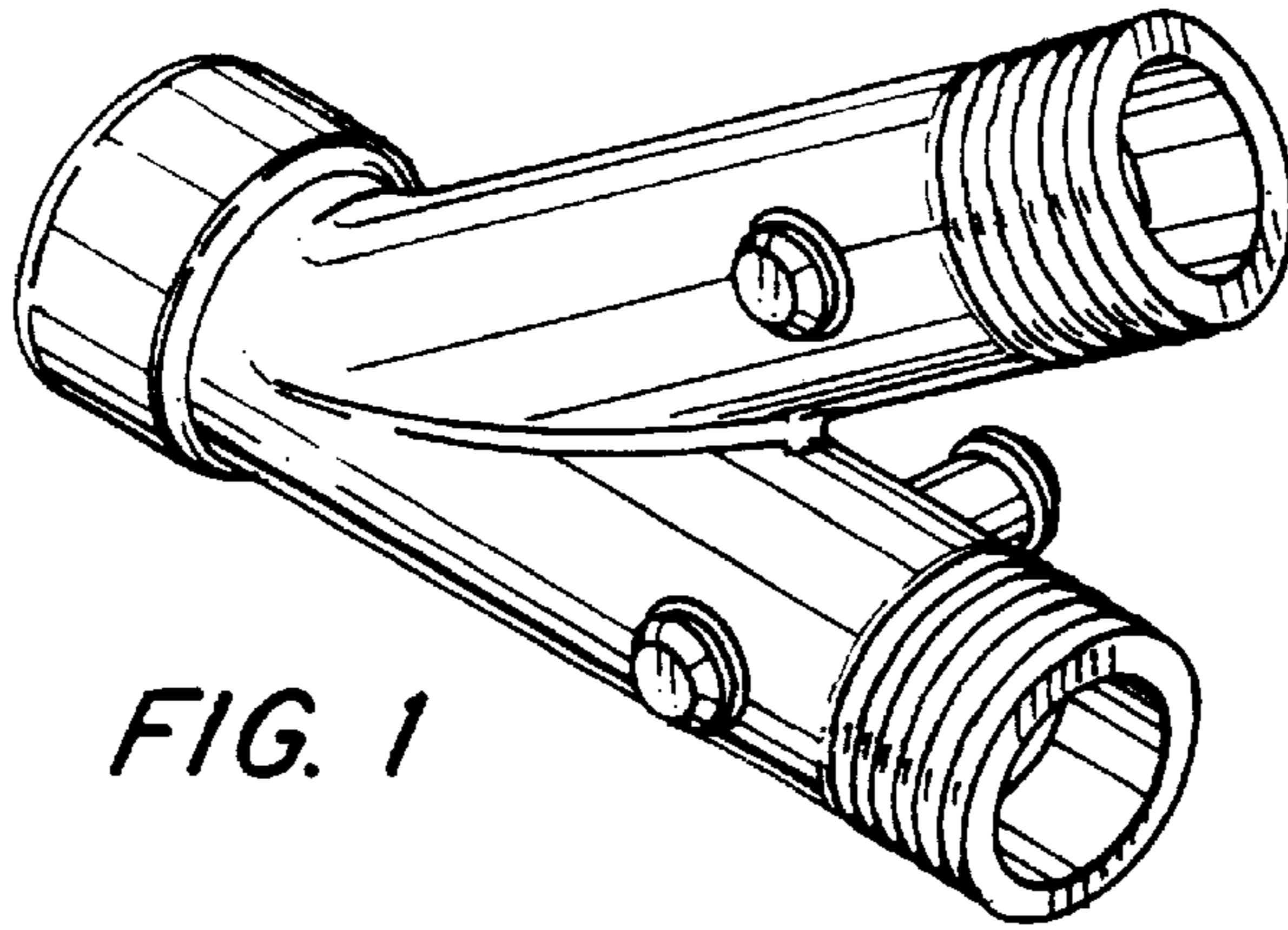


FIG. 1

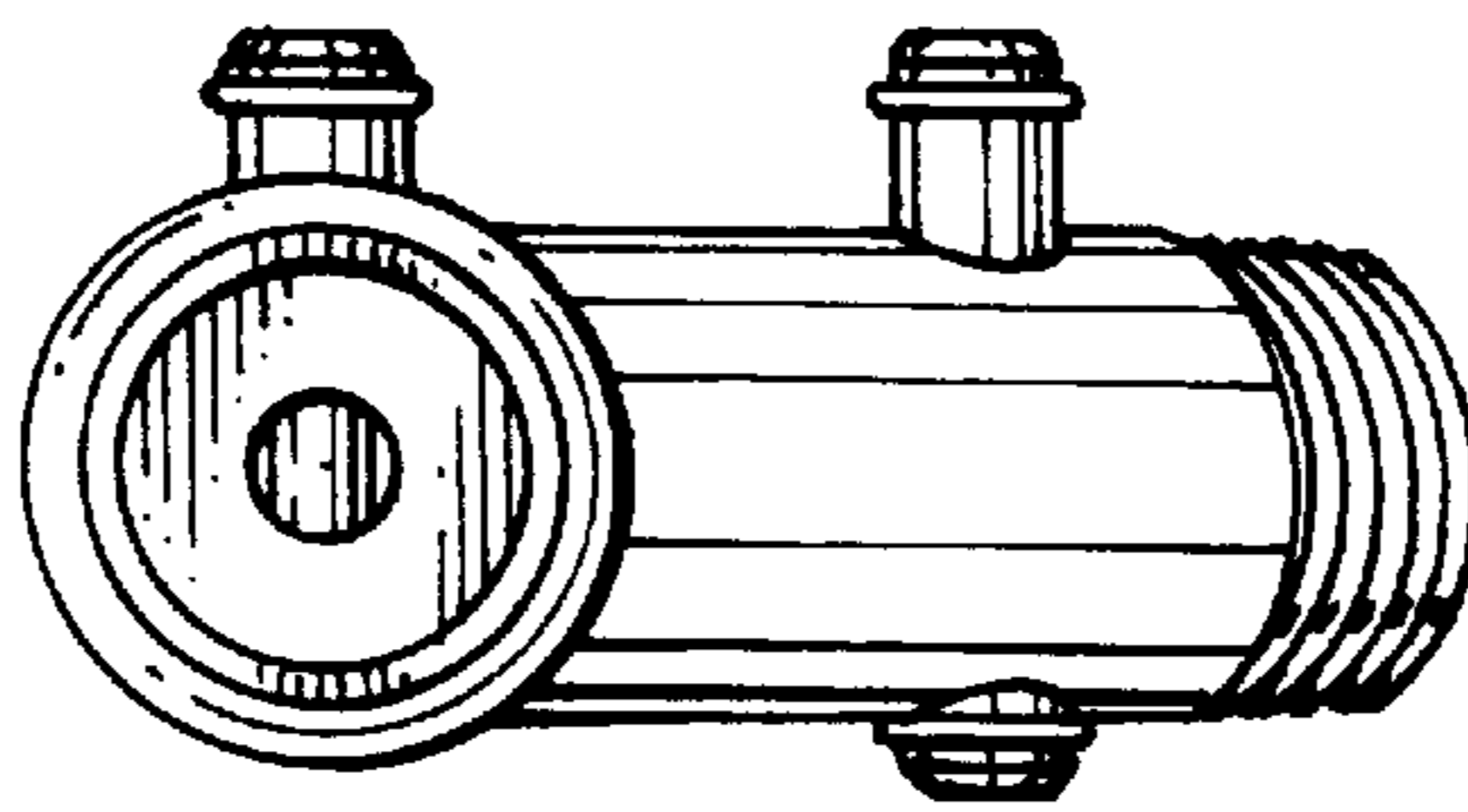


FIG. 5

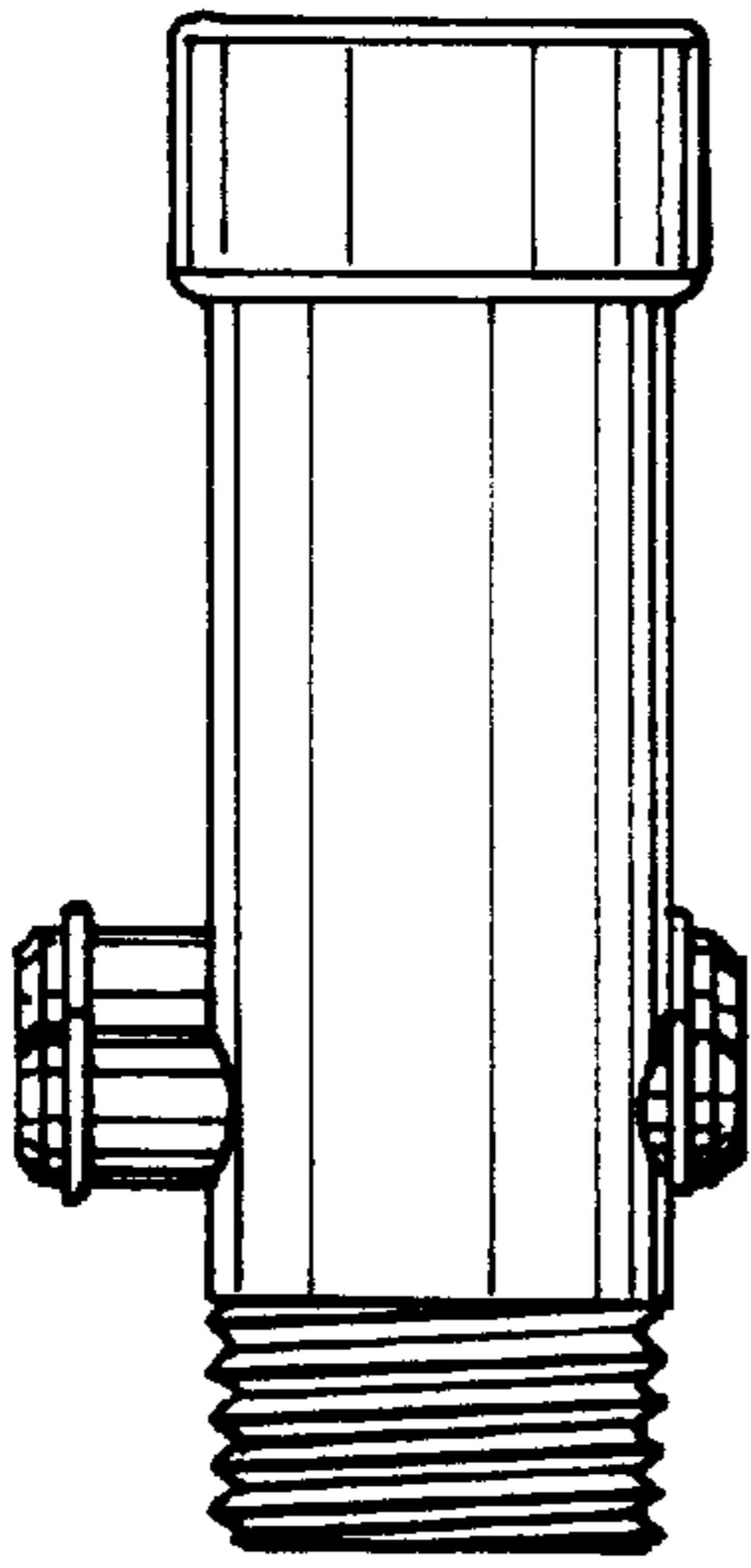


FIG. 3

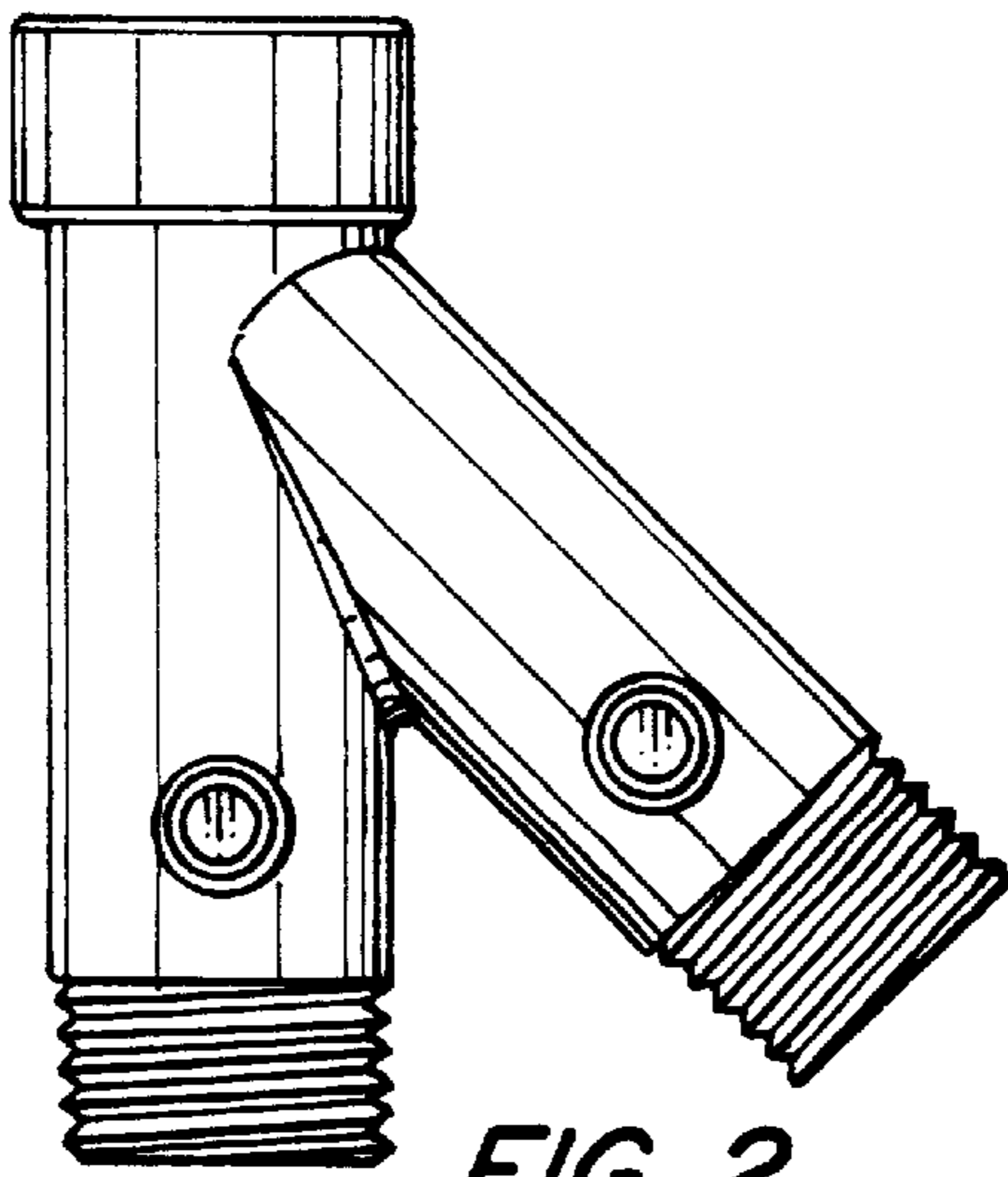


FIG. 2

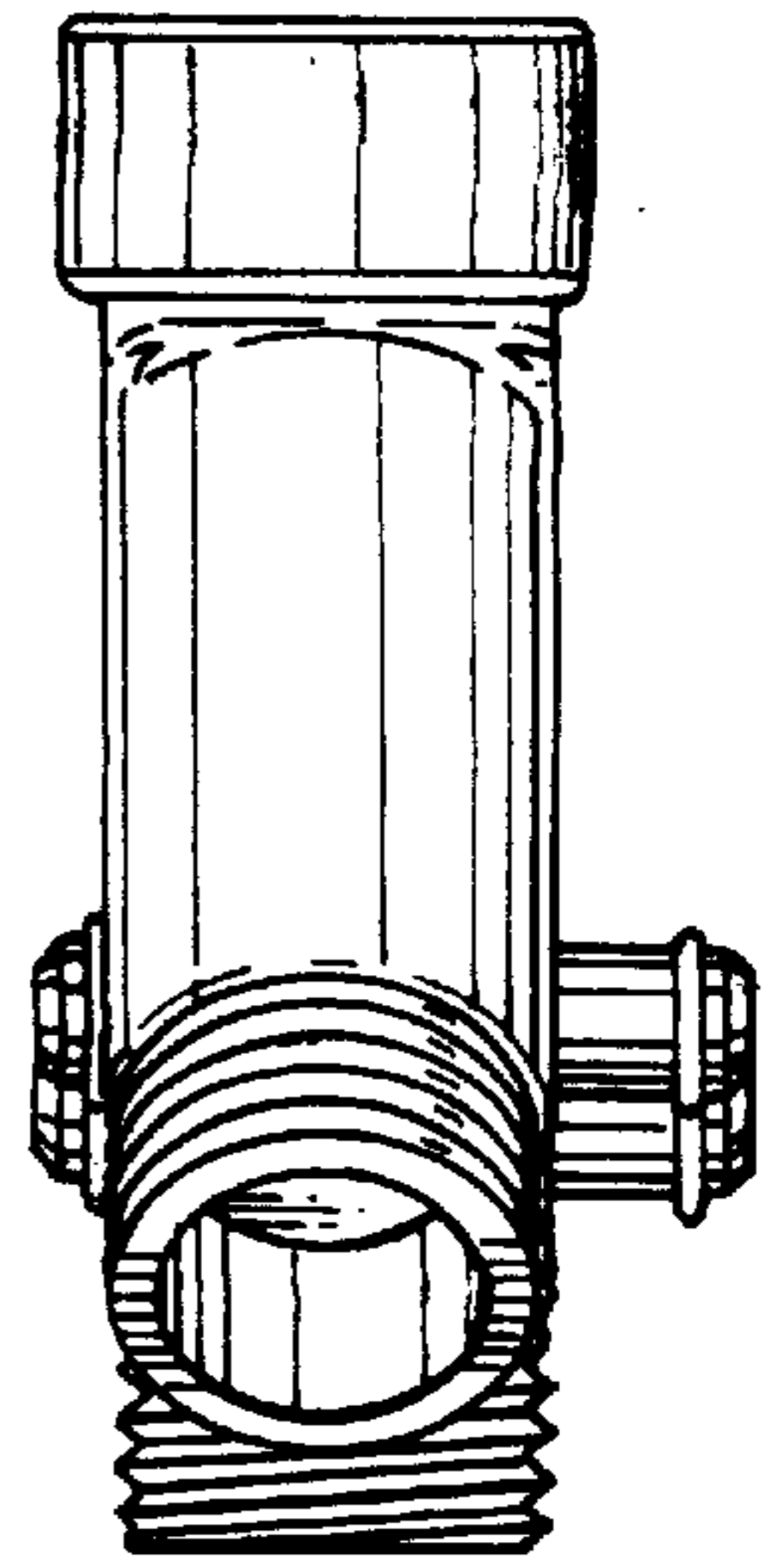


FIG. 4

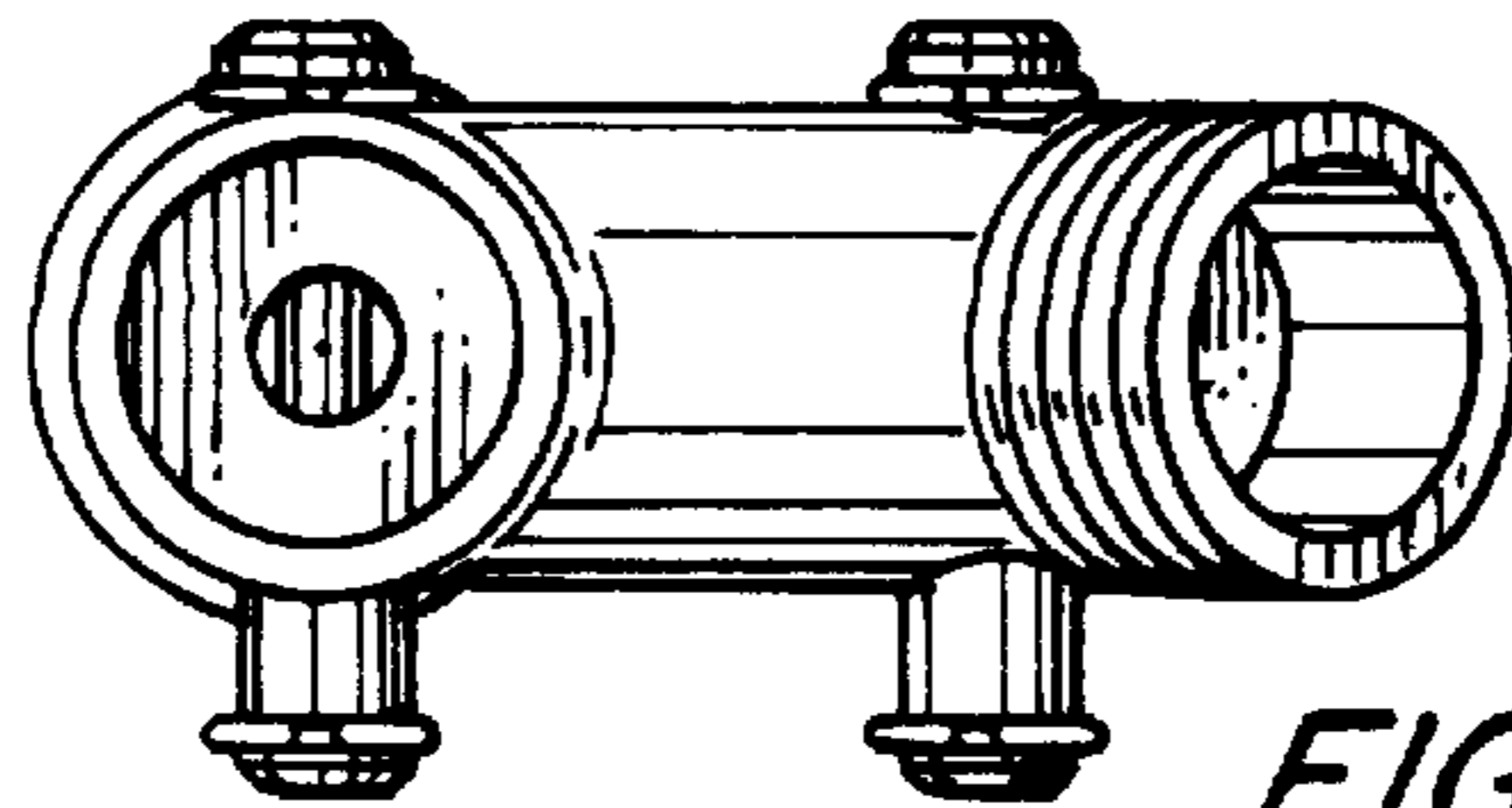


FIG. 6