



US00D435636S

# United States Patent [19] Kolada

[11] Patent Number: **Des. 435,636**

[45] Date of Patent: **\*\* Dec. 26, 2000**

[54] **FAUCET BODY**

[75] Inventor: **Paul P. Kolada**, Bexley, Ohio

[73] Assignee: **Symmons Industries, Inc.**, Braintree, Mass.

[\*\*] Term: **14 Years**

[21] Appl. No.: **29/112,536**

[22] Filed: **Oct. 19, 1999**

### Related U.S. Application Data

[63] Continuation of application No. 29/103,142, Apr. 8, 1999, abandoned.

[51] **LOC (7) Cl.** ..... **23-01**

[52] **U.S. Cl.** ..... **D23/241**

[58] **Field of Search** ..... D23/238-243,  
D23/250-257; 4/675-678; 137/801

### [56] References Cited

#### U.S. PATENT DOCUMENTS

D. 169,405	4/1953	Young	.....	D91/3
D. 193,923	10/1962	Harty, Jr.	.....	D91/3
D. 200,042	1/1965	Mackay et al.	.....	D91/3
D. 203,324	12/1965	Landell	.....	D91/3
D. 229,495	12/1973	Landell	.....	D23/1
D. 237,615	11/1975	Saporito et al.	.....	D23/1
D. 253,799	1/1980	Saporito et al.	.....	D23/1
D. 258,521	3/1981	Thevenot	.....	D23/1
D. 258,981	4/1981	Saporito et al.	.....	D23/1
D. 267,109	11/1982	Fabian	.....	D23/1
D. 276,257	11/1984	Fabian	.....	D23/25
D. 280,008	8/1985	Miller et al.	.....	D23/25
D. 284,499	7/1986	Yost	.....	D23/25
D. 284,993	8/1986	Yost	.....	D23/25

D. 286,561	11/1986	Yost	.....	D23/25
D. 288,836	3/1987	Yost	.....	D23/25
D. 288,837	3/1987	Yost	.....	D23/25
D. 293,362	12/1987	Hill et al.	.....	D23/241
D. 295,661	5/1988	Kohler, Jr. et al.	.....	D23/241
D. 296,461	6/1988	Yost	.....	D23/241
D. 298,275	10/1988	Hill	.....	D23/252
D. 299,518	1/1989	Yost	.....	D23/241
D. 346,852	5/1994	Hill	.	
D. 347,466	5/1994	Kolada et al.	.....	D23/241
D. 361,827	8/1995	Doughty et al.	.	
D. 370,053	5/1996	Hill	.	
D. 381,397	7/1997	Steffes	.....	D23/238
D. 388,863	1/1998	Kolada	.....	D23/238
D. 407,798	4/1999	Pitsch	.....	D23/241
D. 421,484	3/2000	Pitsch	.....	D23/238

### OTHER PUBLICATIONS

“Delta Full-Line Catalog”, Delta Faucet Company, 37 pages. Date unknown.

Delta Full-Line Catalogue, date unknown, pp. 14-18.

*Primary Examiner*—Louis S. Zarfes

*Assistant Examiner*—Gregory Andoll

*Attorney, Agent, or Firm*—Pandiscio & Pandiscio

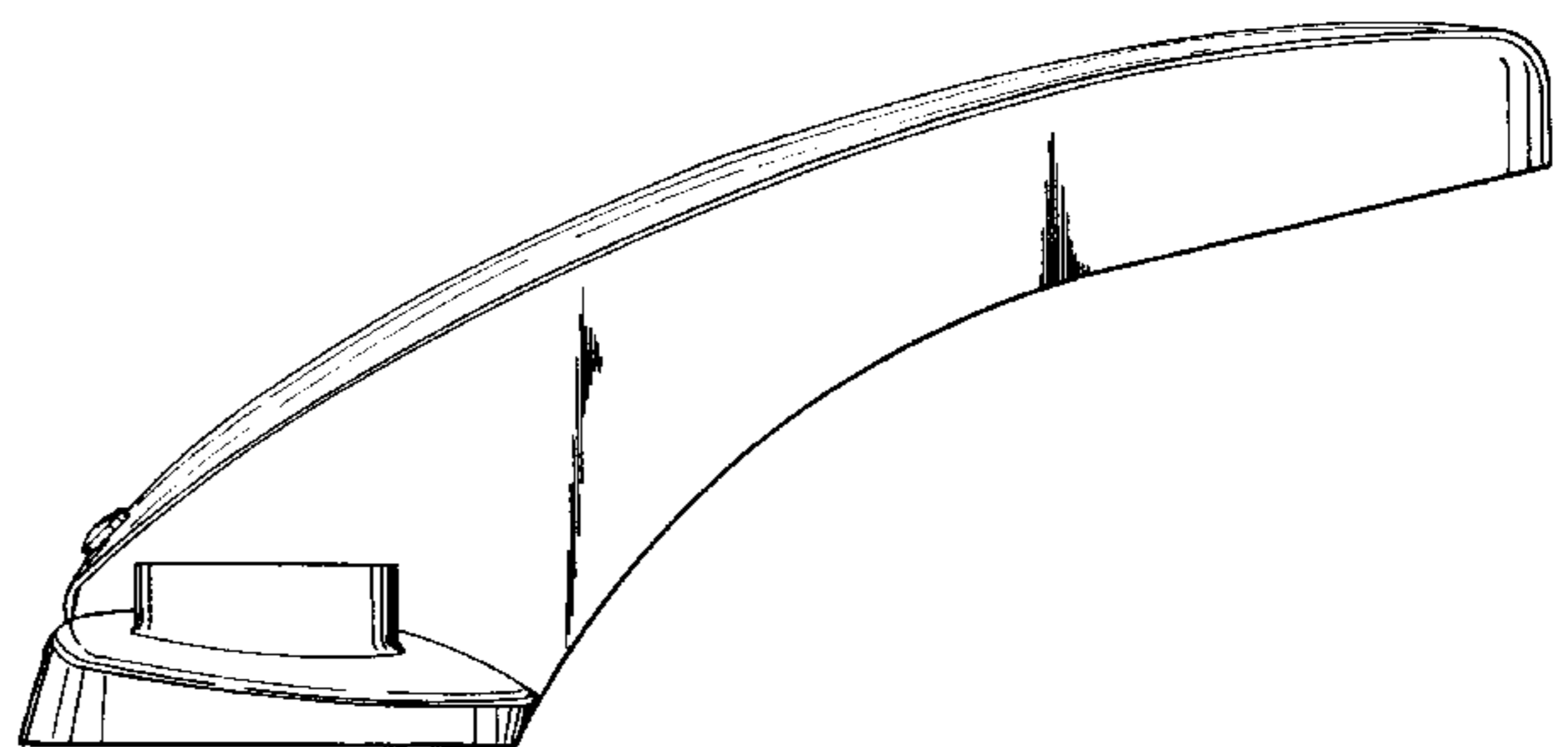
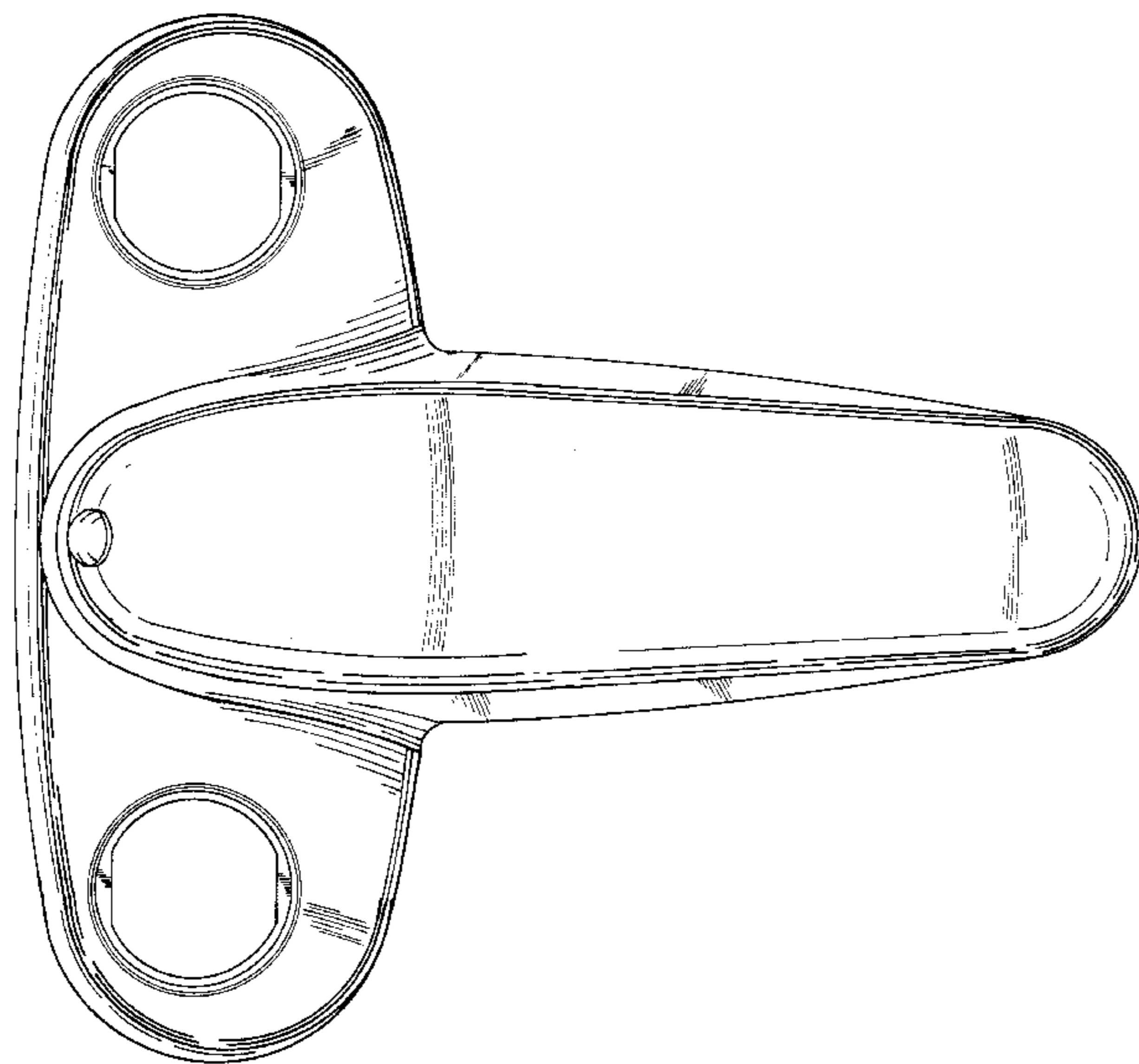
### [57] CLAIM

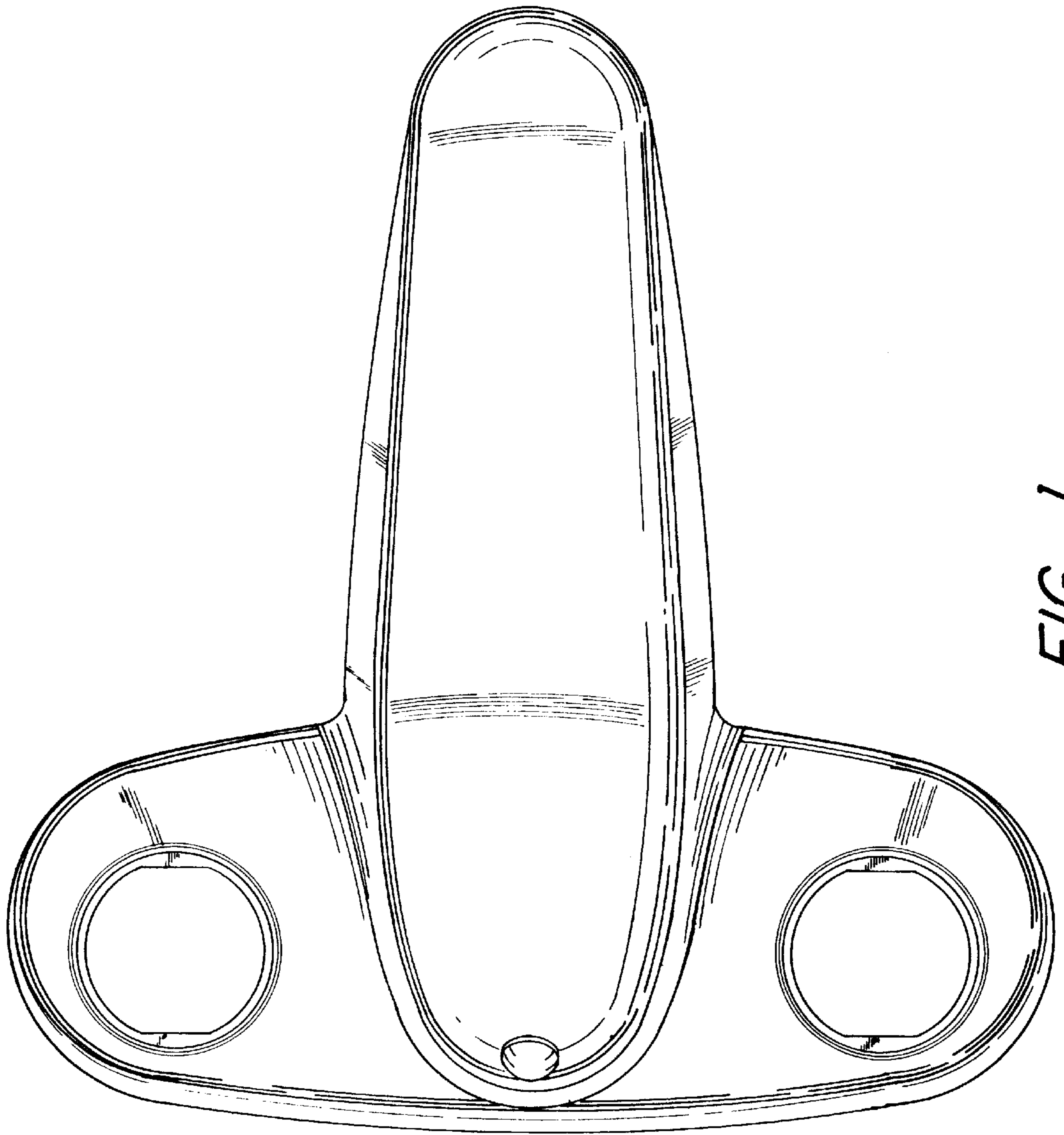
The ornamental design for a faucet body, as shown and described.

### DESCRIPTION

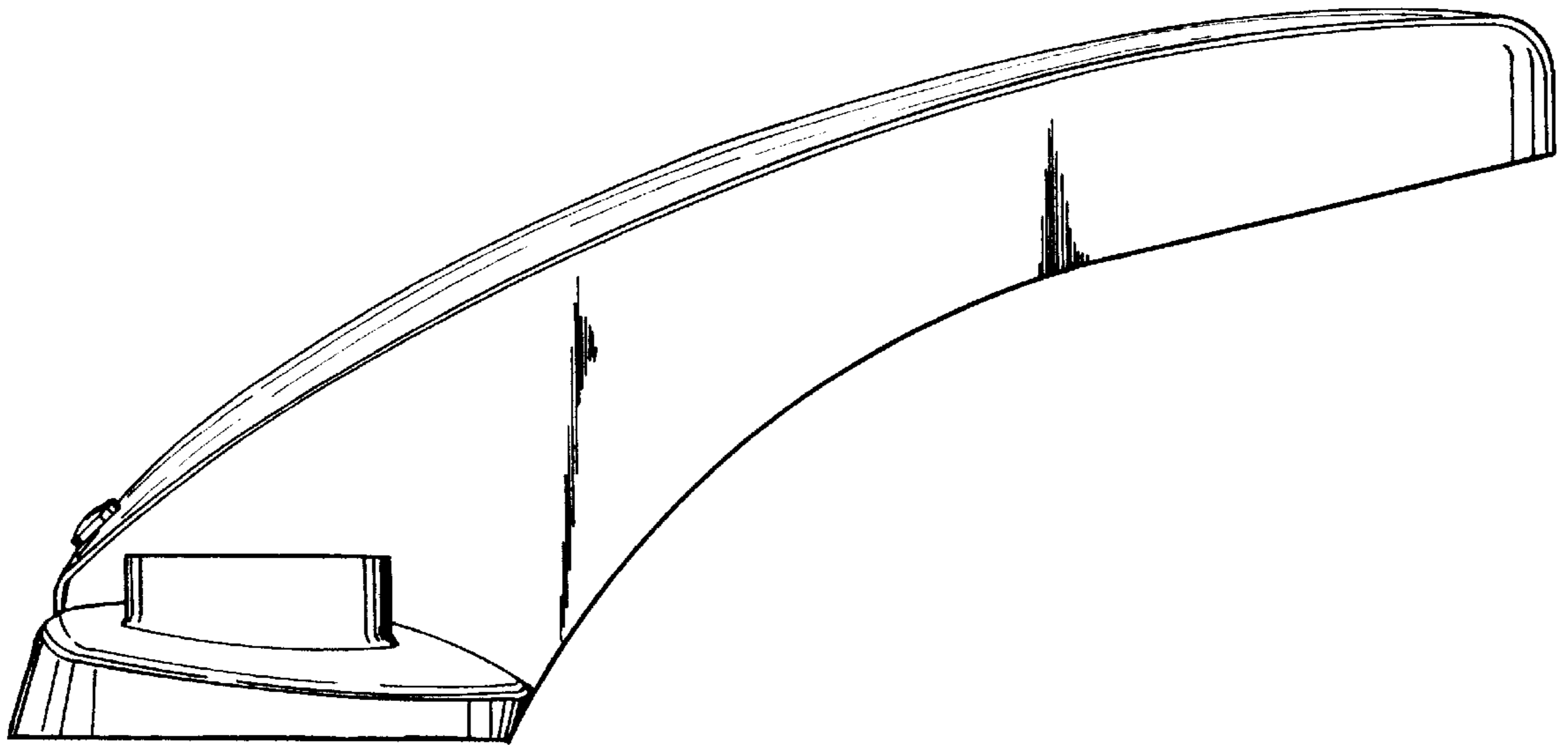
FIG. 1 is a plan view of a faucet body embodying the design; FIG. 2 is a side elevation of the same faucet body; FIG. 3 is a front view of the same faucet body; FIG. 4 is a bottom view of the same faucet body; and, FIG. 5 is a rear elevation of the same faucet body.

**1 Claim, 3 Drawing Sheets**

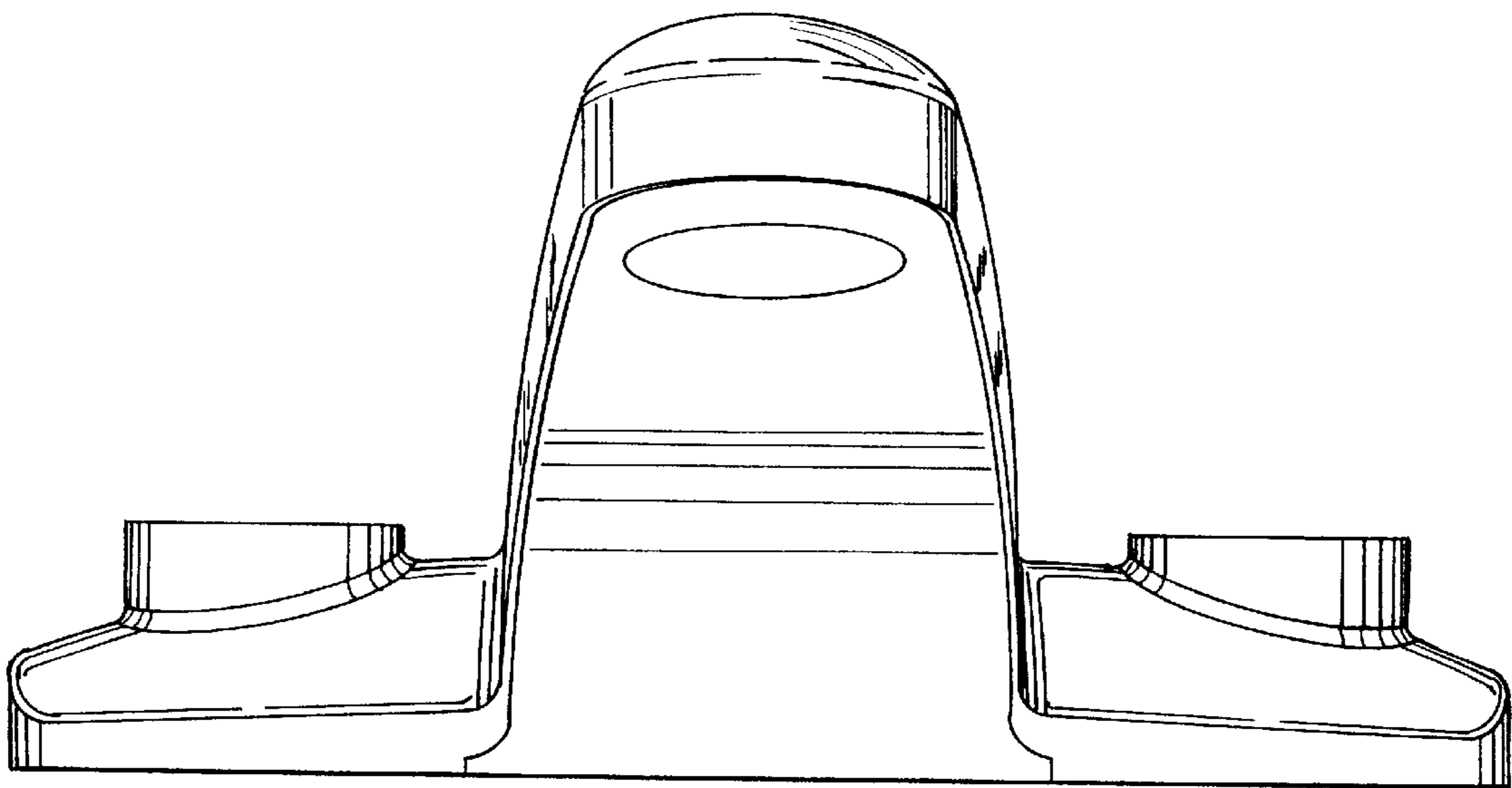




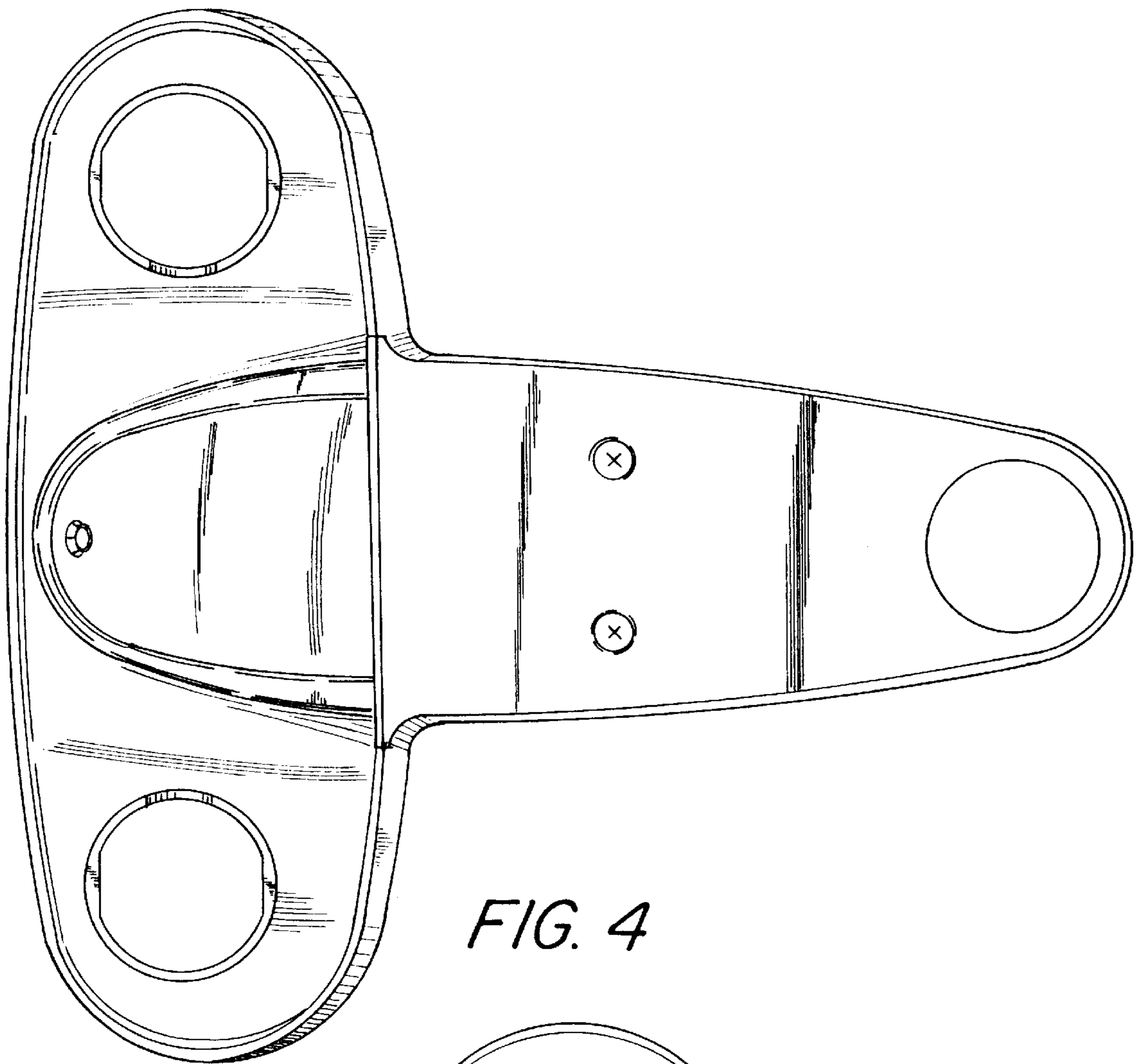
*FIG. 1*



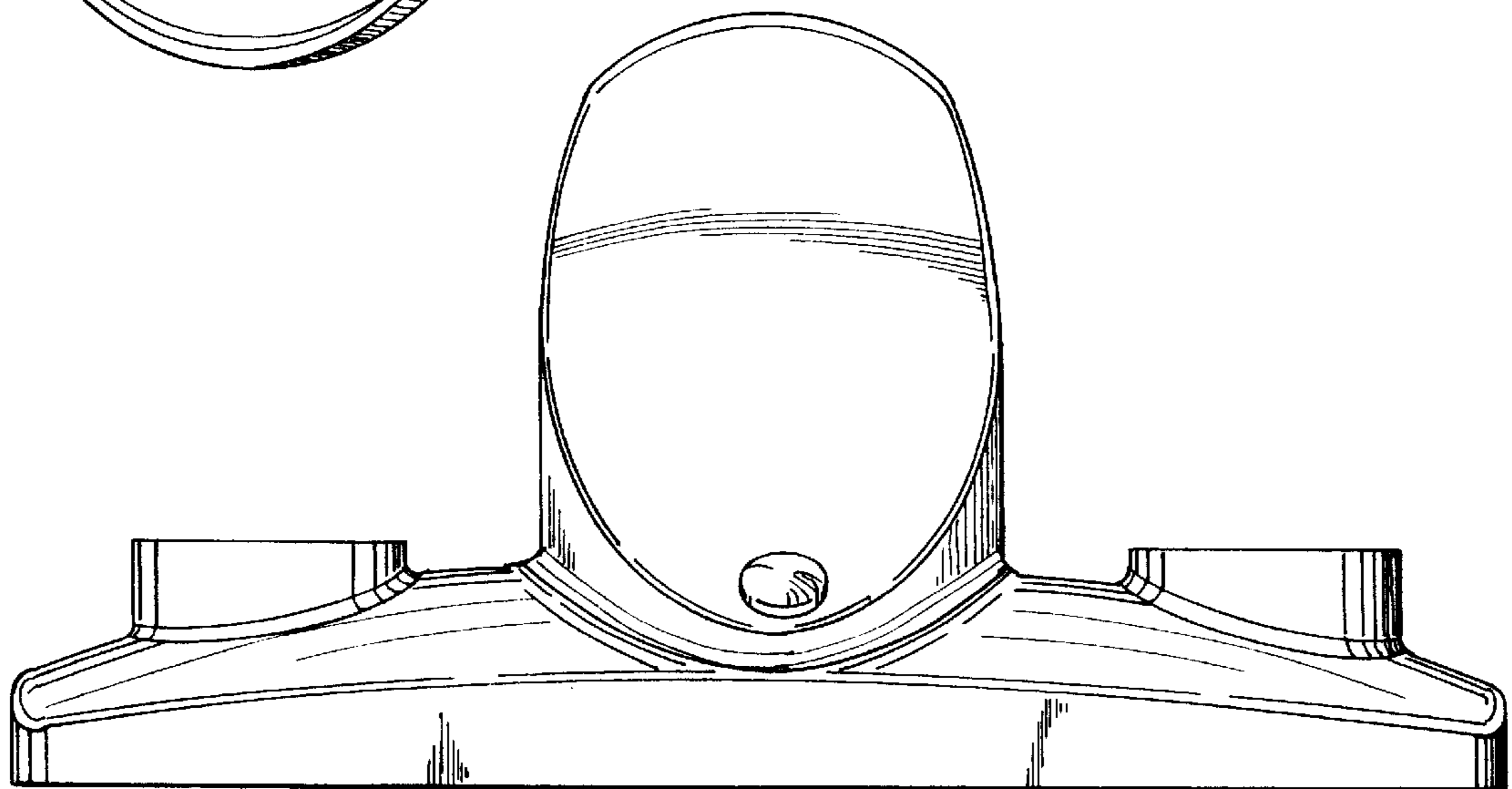
*FIG. 2*



*FIG. 3*



*FIG. 4*



*FIG. 5*