



US00D435635S

United States Patent [19] Taneya

[11] **Patent Number: Des. 435,635**

[45] **Date of Patent: ** Dec. 26, 2000**

[54] **SOCKET FOR A COUPLER**

3,174,508	3/1965	Zahuranec	285/83
4,498,658	2/1985	Mikiya	251/149.6
5,240,023	8/1993	Shelef et al.	251/149.6

[75] Inventor: **Yoshimoto Taneya**, Koshigaya, Japan

[73] Assignee: **SMC Kabushiki Kaisha**, Tokyo, Japan

[**] Term: **14 Years**

Primary Examiner—Robin V. Taylor
Attorney, Agent, or Firm—Frishauf, Holtz, Goodman,
Langer & Chick, P.C.

[21] Appl. No.: **29/117,186**

[57] **CLAIM**

[22] Filed: **Jan. 19, 2000**

The ornamental design for a socket for a coupler, as shown and described.

[30] **Foreign Application Priority Data**

DESCRIPTION

Jul. 29, 1999 [JP] Japan 11-20268

[51] **LOC (7) Cl.** **23-01**

FIG. 1 is a top, front and right side perspective view of a socket for a coupler showing my new design;

[52] **U.S. Cl.** **D23/233**

FIG. 2 is a front view of FIG. 1, the rear view being a mirror image;

[58] **Field of Search** D23/233-237;
137/614.04; 251/149.6; 285/277, 83

FIG. 3 is a top plan view of FIG. 1, the bottom plan view being a mirror image;

[56] **References Cited**

FIG. 4 is a left side view of FIG. 1; and,

FIG. 5 is a right side view of FIG. 1.

U.S. PATENT DOCUMENTS

D. 412,738 8/1999 Kuwabara D23/233

1 Claim, 1 Drawing Sheet

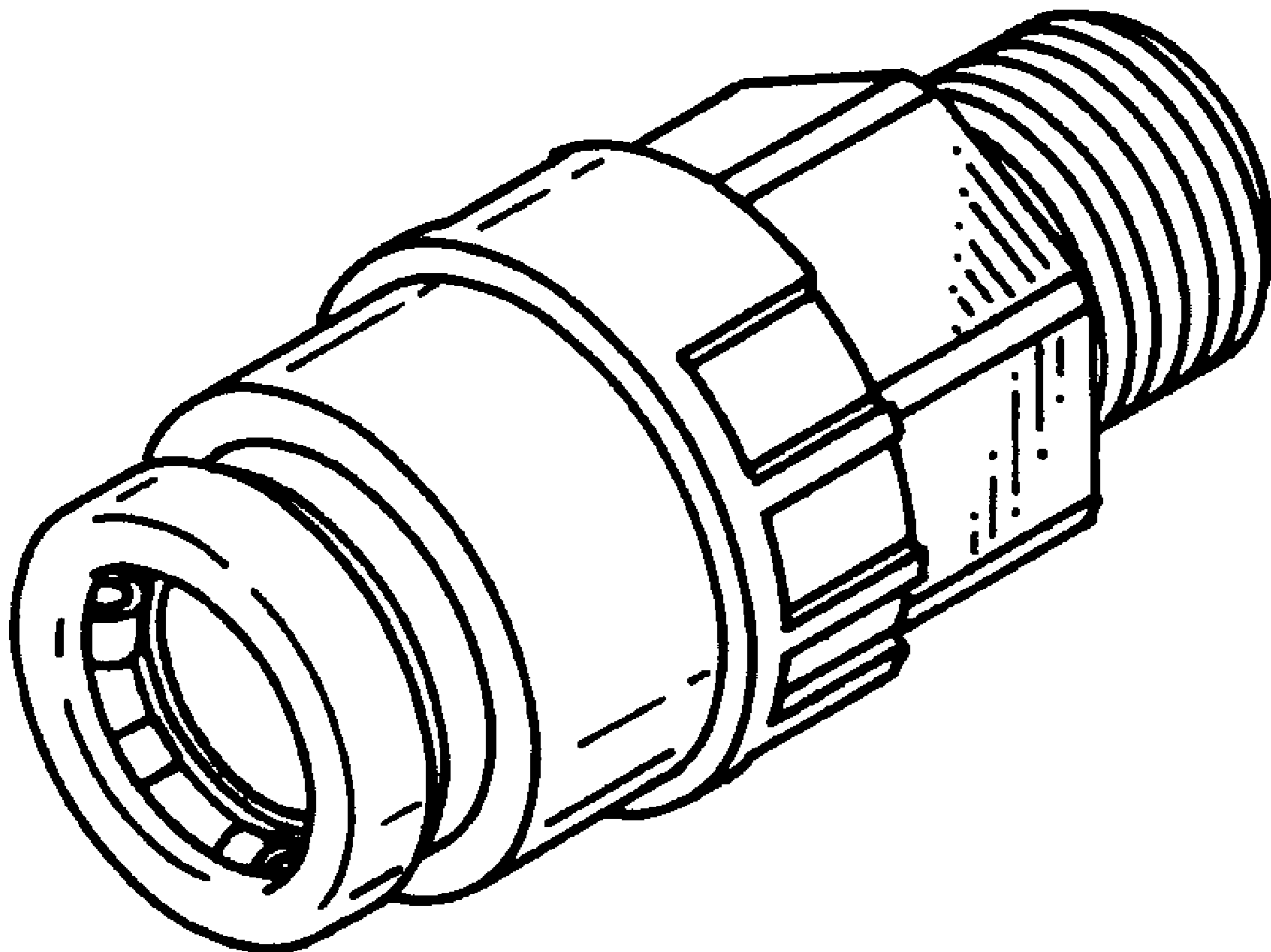


FIG. 1

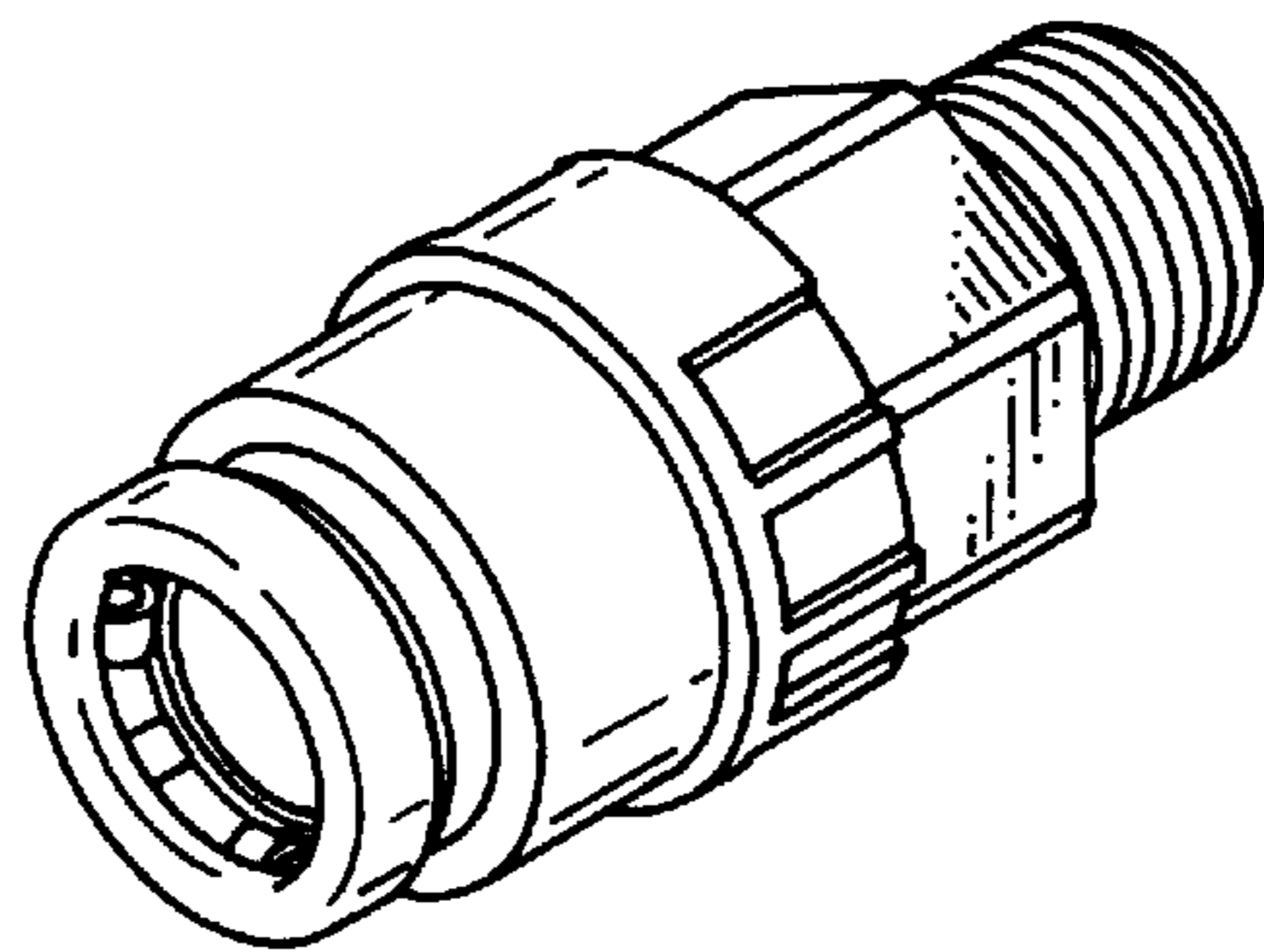


FIG. 3

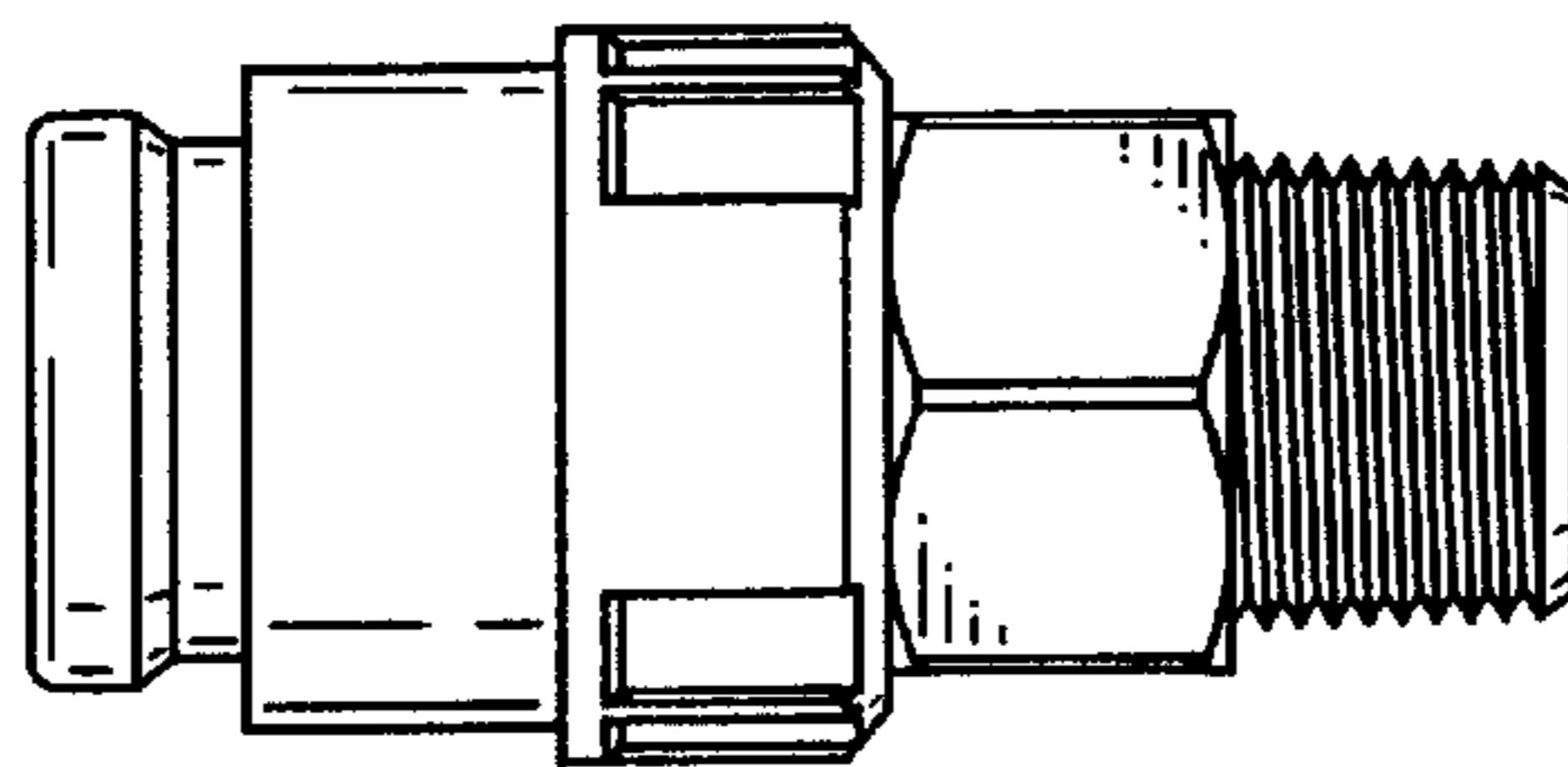


FIG. 4

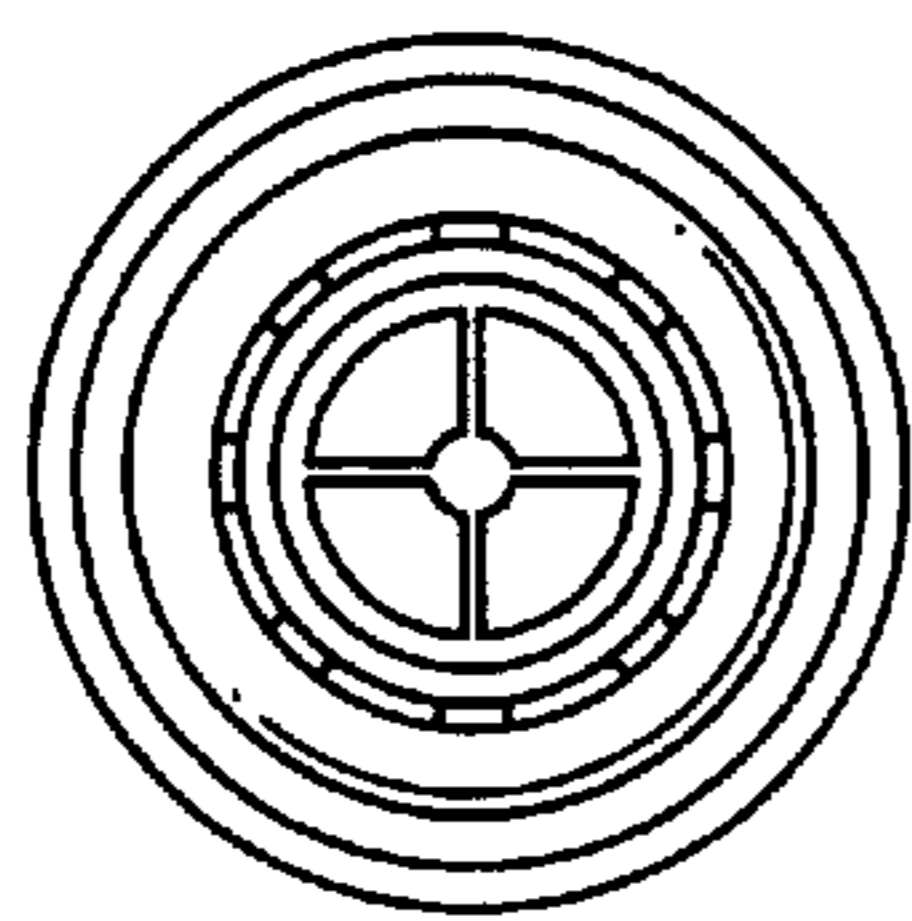


FIG. 2

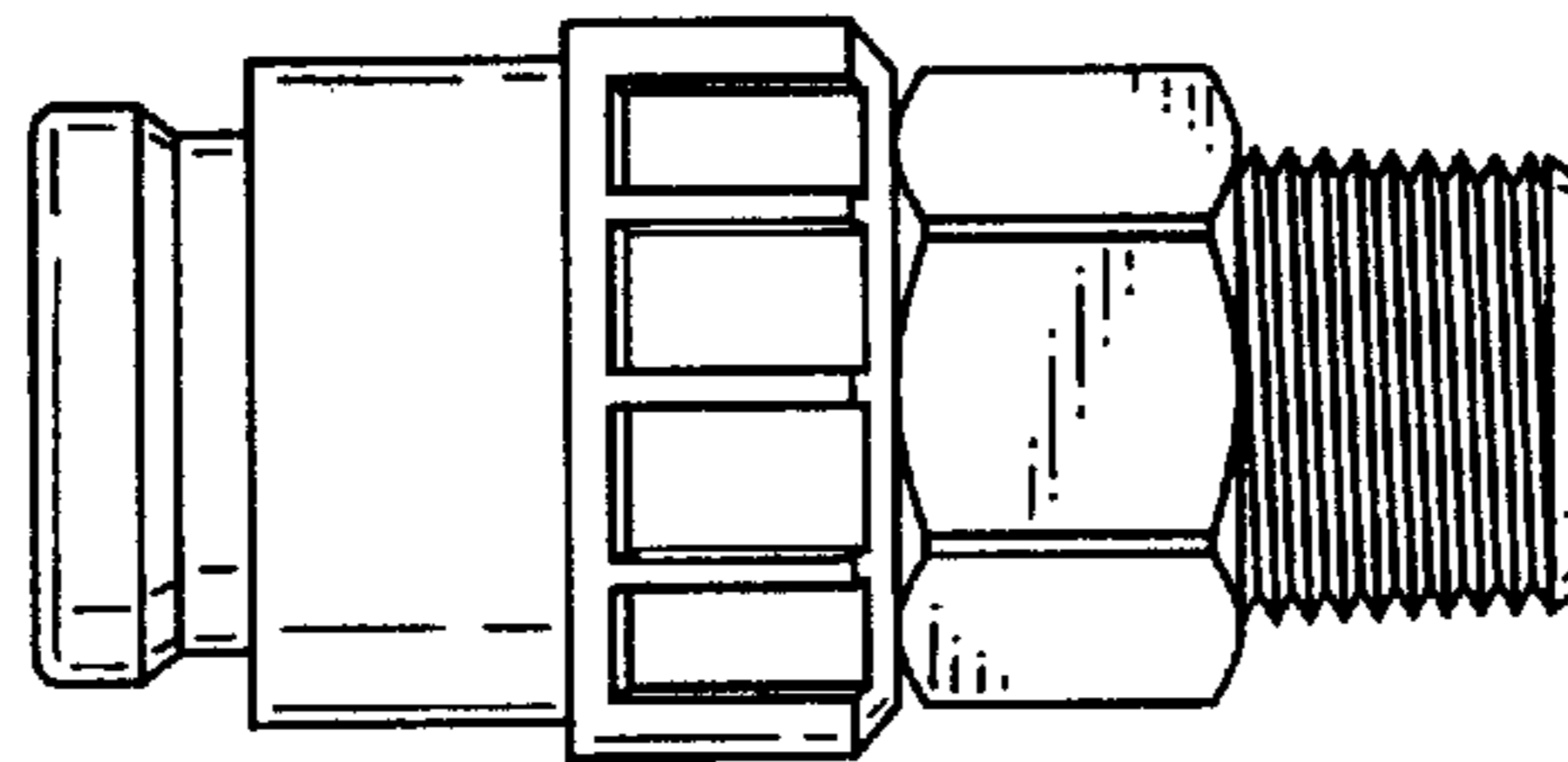


FIG. 5

