



US00D435632S

United States Patent [19]

Allison

[11] **Patent Number: Des. 435,632**

[45] **Date of Patent: ** Dec. 26, 2000**

[54] **AERATOR**

[76] **Inventor: Gerald Allison, 5 Hamsterley Close, Gorse Covert, Warrington, Cheshire WA3 6UF, United Kingdom**

[**] **Term: 14 Years**

[21] **Appl. No.: 29/101,002**

[22] **Filed: Feb. 22, 1999**

[30] Foreign Application Priority Data

Aug. 20, 1998 [GB] United Kingdom 2077016
Aug. 20, 1998 [GB] United Kingdom 2077017

[51] **LOC (7) Cl. 23-01**

[52] **U.S. Cl. D23/213**

[58] **Field of Search D23/213; 239/428.5; 261/DIG. 22**

[56] References Cited

U.S. PATENT DOCUMENTS

D. 200,088 1/1965 Earnshaw D23/213

D. 213,103 1/1969 Washburn D23/213
D. 231,612 5/1974 Doman D23/213
3,706,418 12/1972 Hyde 239/428.5

Primary Examiner—Robin V. Taylor
Attorney, Agent, or Firm—Liniak, Berenato, Longacre & White

[57] CLAIM

The ornamental design for an aerator, as shown and described.

DESCRIPTION

FIG. 1 is a perspective view from below of an aerator according my new design;
FIG. 2 is a side view thereof; and,
FIG. 3 is a top perspective view thereof.

1 Claim, 2 Drawing Sheets

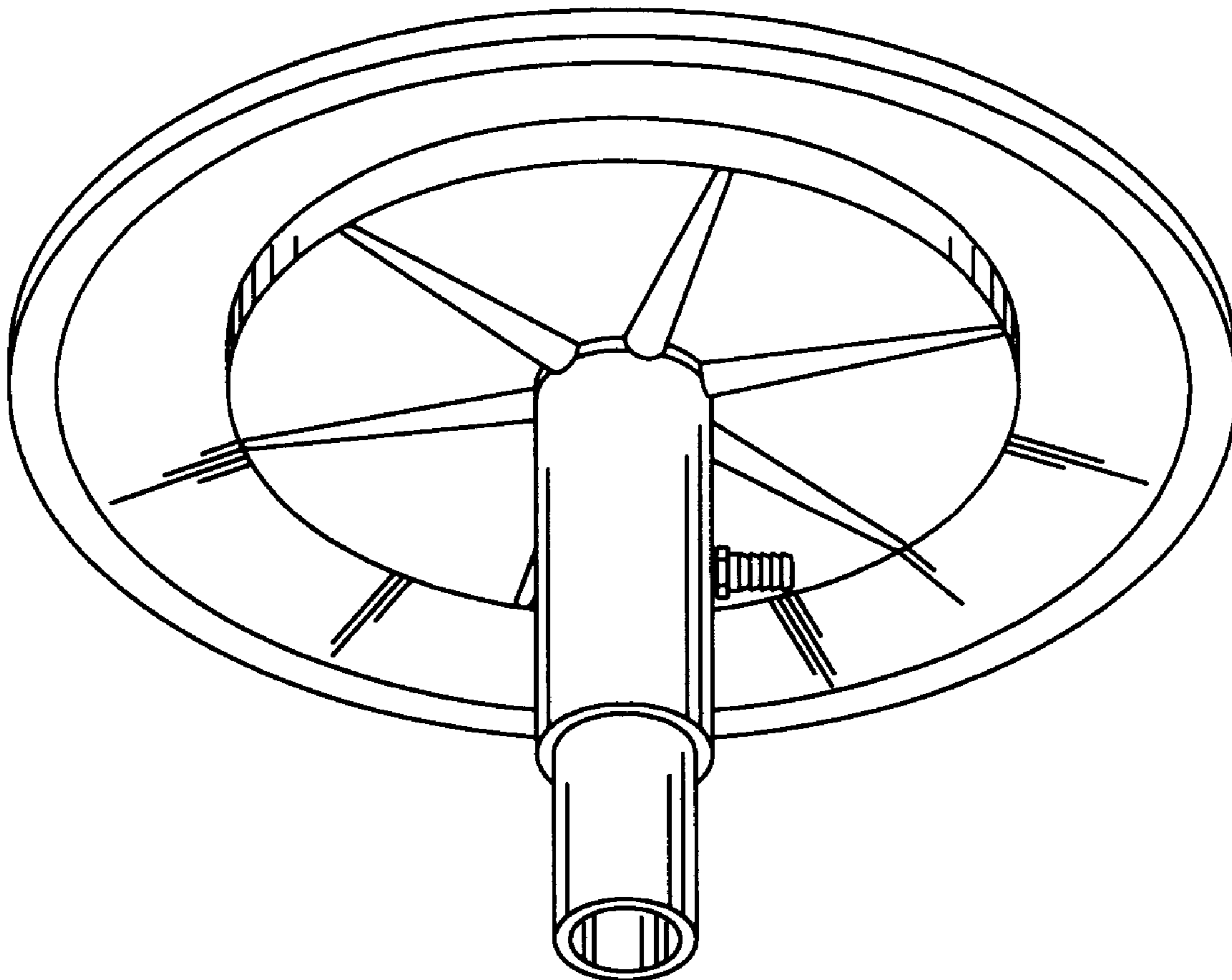


Fig. 1

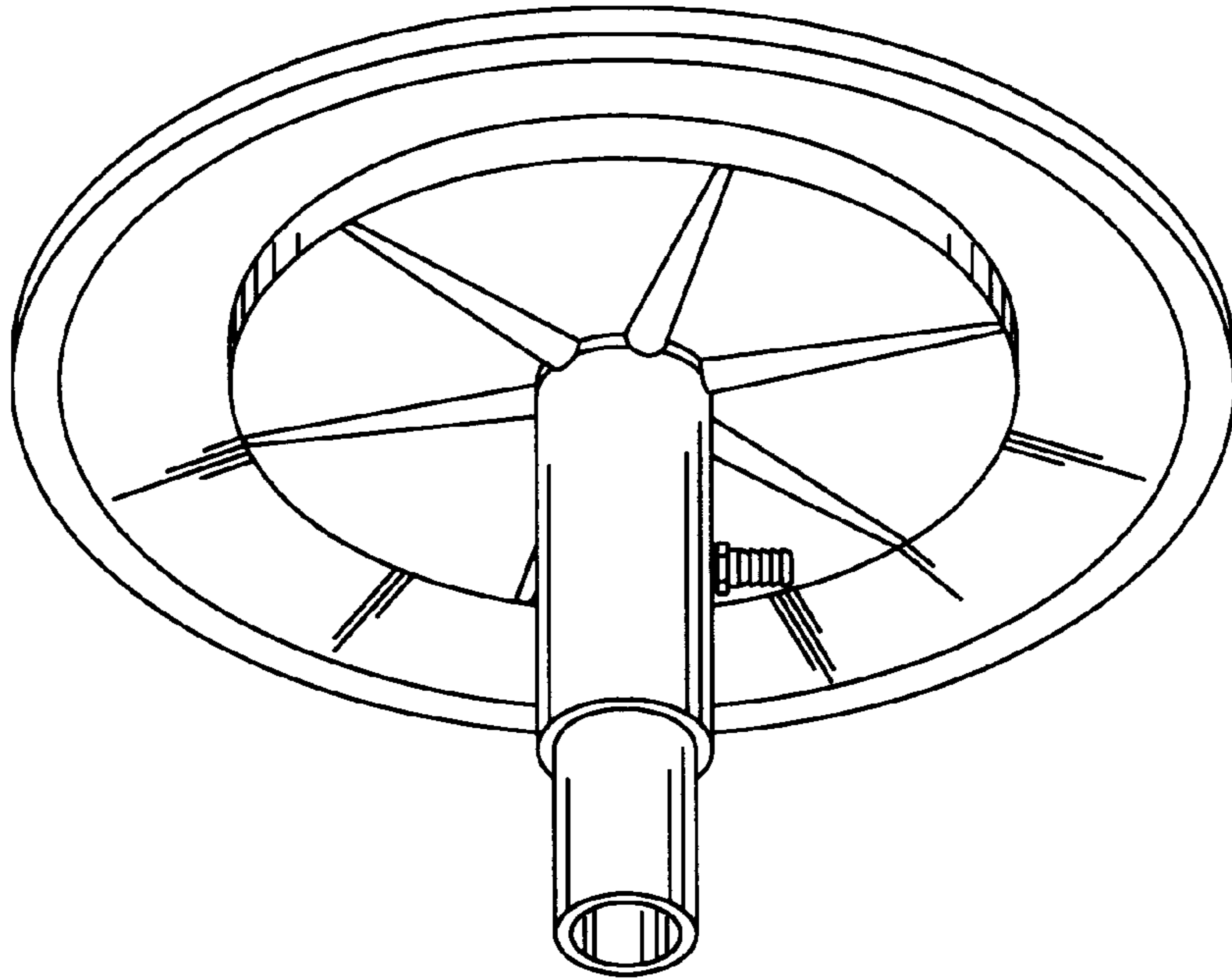


Fig. 2

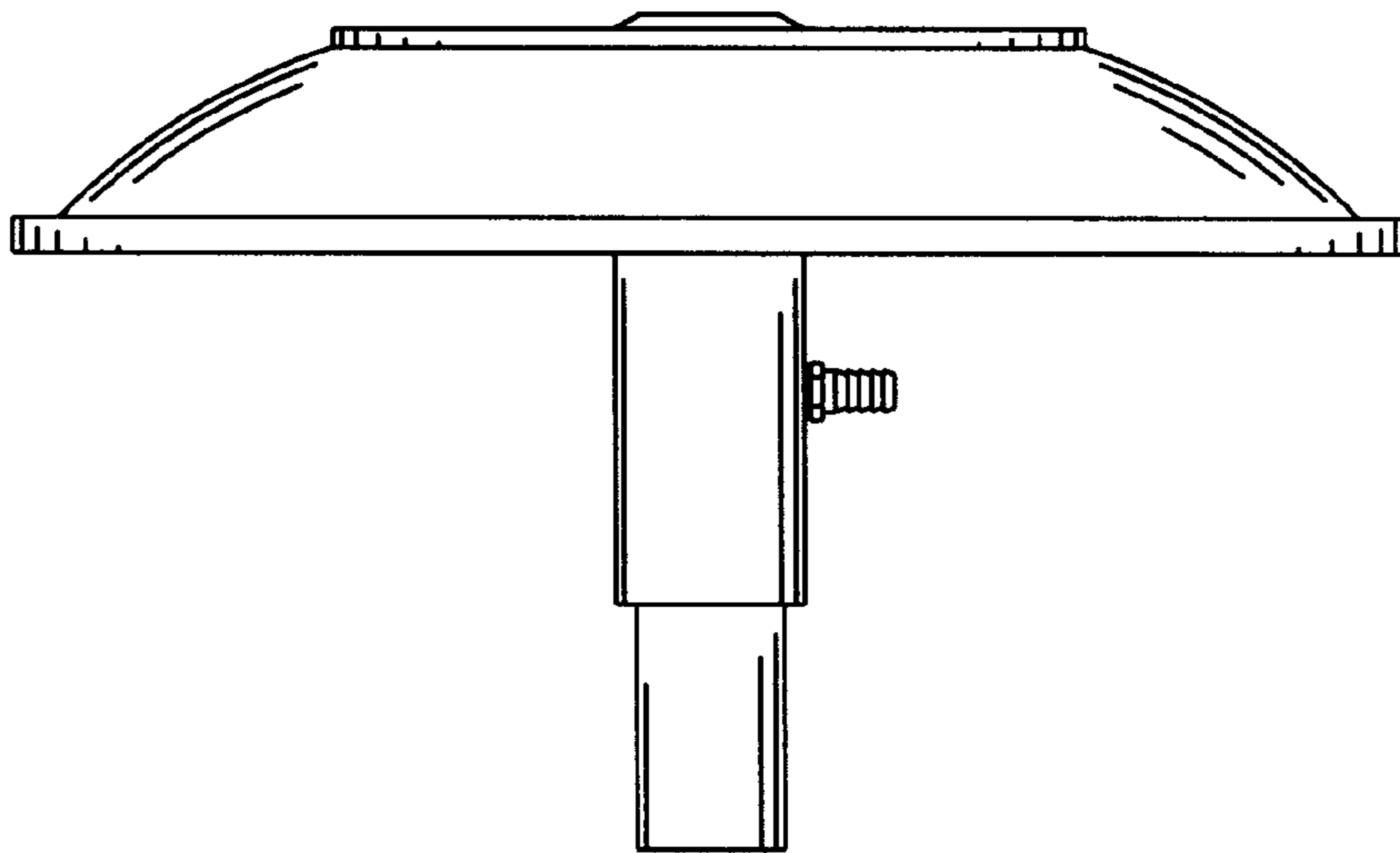


Fig. 3

