



US00D435628S

United States Patent [19]

[11] **Patent Number: Des. 435,628**

Lester

[45] **Date of Patent: ** Dec. 26, 2000**

[54] **FISHING LURE BODY**

3,805,437 4/1974 Harris 43/42.13
4,501,086 2/1985 Bunce 43/42.2
5,499,470 3/1996 Reed D22/129

[76] Inventor: **Leslie C. Lester**, 2481 Heather Rd.,
Green Bay, Wis. 54311

[**] Term: **14 Years**

FOREIGN PATENT DOCUMENTS

722875 12/1965 Canada D22/129

[21] Appl. No.: **29/121,743**

OTHER PUBLICATIONS

[22] Filed: **Apr. 12, 2000**

Pflueger Fishing Tackle, "Four Bros Black Bass Bait", p. 94,
1940.

[51] **LOC (7) Cl. 22-05**

Al's Goldfish Lure Co. Cat. # 36, "P60 Diamond Lil", p. 4,
Aug. 1983.

[52] **U.S. Cl. D22/129**

[58] **Field of Search D22/126-133,
D22/134, 144, 145, 146; 43/42.35, 42.39,
42.45**

Primary Examiner—Louis S. Zarfaz
Assistant Examiner—Inga-Maria Hyttinen
Attorney, Agent, or Firm—Andrus, Scealess, Starke &
Sawall, LLP

[56] **References Cited**

U.S. PATENT DOCUMENTS

| | | | |
|------------|---------|-------------------|----------|
| D. 71,850 | 1/1927 | Rightmire . | |
| D. 91,170 | 12/1933 | Jacobs | D22/129 |
| D. 218,966 | 10/1970 | Weimer | D22/129 |
| D. 256,496 | 8/1980 | Jacobson | D22/29 |
| D. 300,164 | 3/1989 | Gauthier | D22/129 |
| D. 363,113 | 10/1995 | Hazelquist | D22/129 |
| D. 381,061 | 7/1997 | Graham | D22/129 |
| 1,585,943 | 5/1926 | Streich . | |
| 1,769,083 | 7/1930 | Tozier . | |
| 1,871,971 | 8/1932 | Eppich . | |
| 1,902,560 | 3/1933 | Kilpatrick . | |
| 2,515,018 | 7/1950 | Parnell, Sr. | 43/42.28 |
| 2,535,211 | 12/1950 | Jelinek | 43/42.5 |
| 2,748,523 | 6/1956 | McNabb | 43/42.5 |
| 2,833,079 | 5/1958 | Flaska | 43/42.34 |
| 2,867,934 | 1/1959 | Magnus | 43/42.35 |
| 3,023,534 | 3/1962 | Smith | 43/42.22 |
| 3,397,478 | 8/1968 | Lowes, Jr. | 43/42.14 |

[57] **CLAIM**

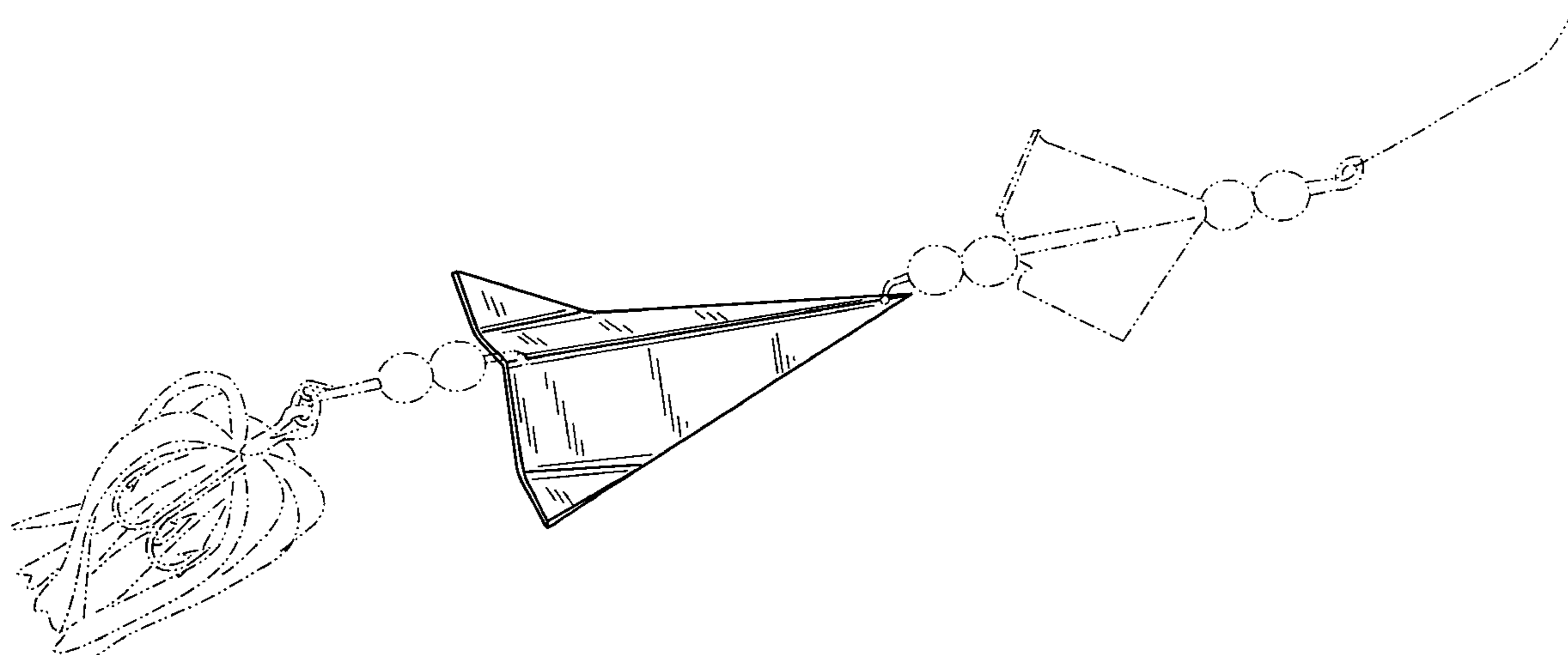
The ornamental design of a fishing lure body, as shown and described.

DESCRIPTION

FIG. 1 is a front perspective view of a fishing lure body embodying the present invention, with broken lines shown for illustrative purposes only and forming no part of the claimed design;

FIG. 2 is a top plan view of the fishing lure body;
FIG. 3 is a side elevation view of the fishing lure body, with the opposite side being a mirror image thereof;
FIG. 4 is a bottom view of the fishing lure body;
FIG. 5 is a back view of the fishing lure body; and,
FIG. 6 is a front view of the fishing lure body.

1 Claim, 2 Drawing Sheets



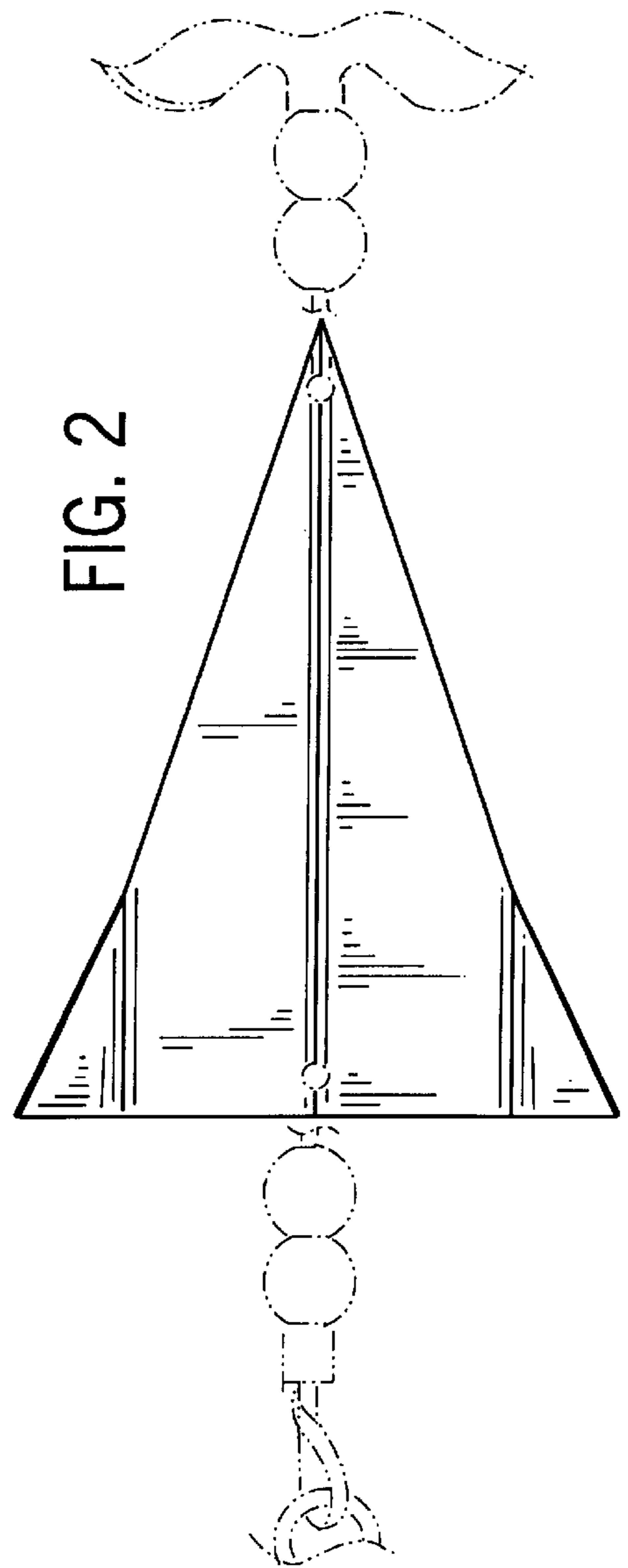
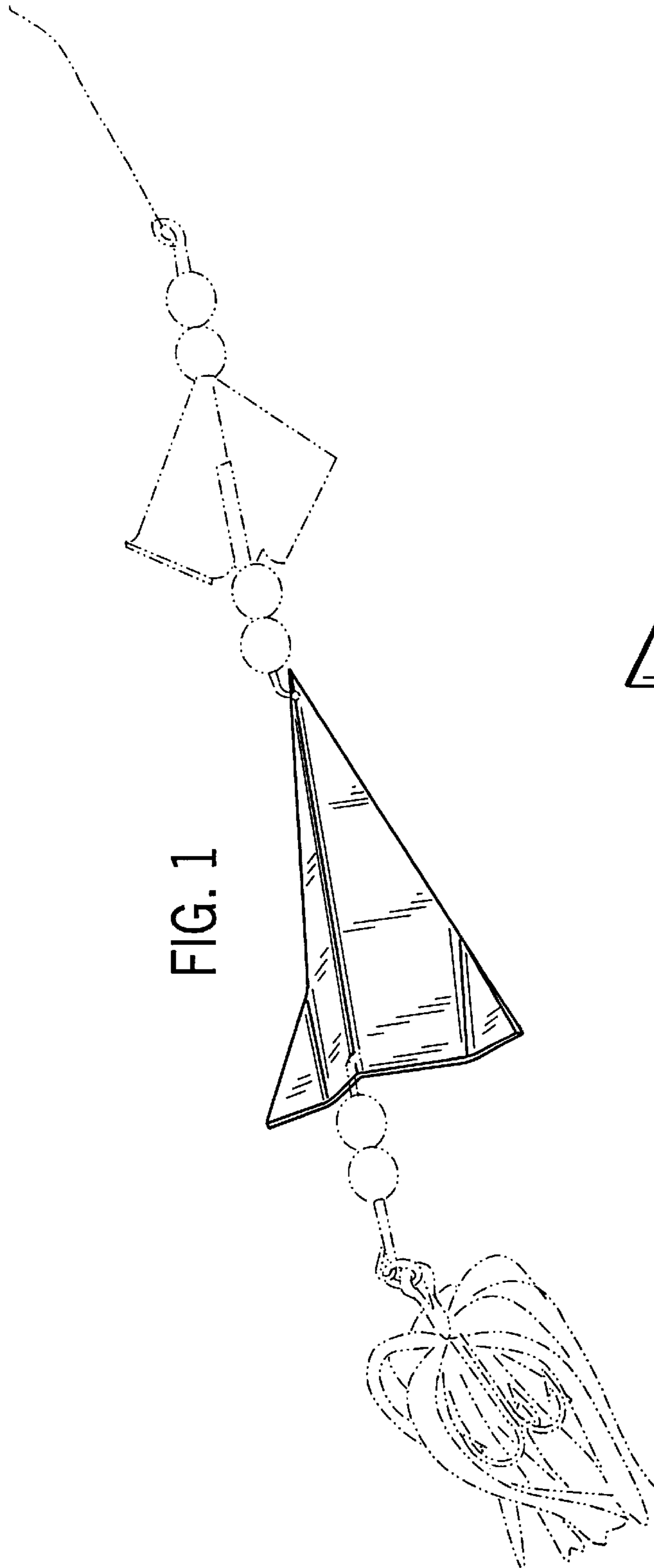


FIG. 3

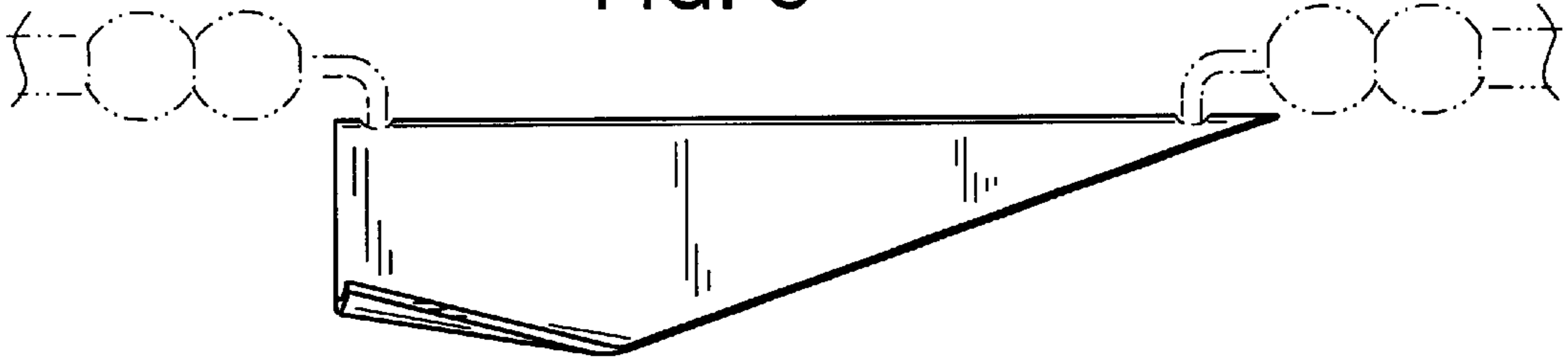


FIG. 4

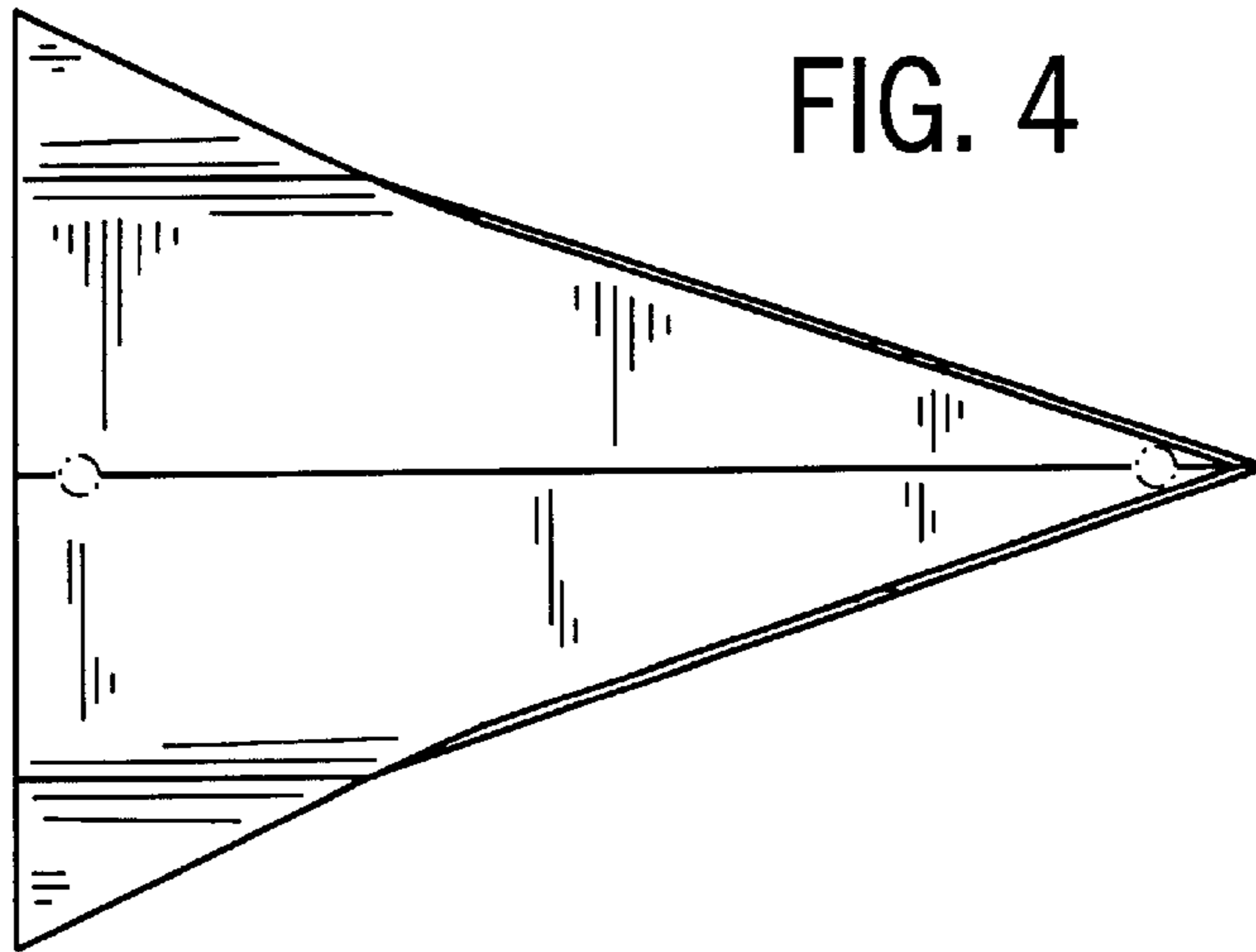


FIG. 5



FIG. 6

