



US00D435625S

United States Patent [19]
Ling, Jr.

[11] **Patent Number: Des. 435,625**

[45] **Date of Patent: ** Dec. 26, 2000**

[54] **REPLACEMENT BLADE FOR A REAR SIGHT FOR A HANDGUN**

2,825,137 3/1958 Meetin 33/252
3,495,339 2/1970 Elliason 42/100
4,208,821 6/1980 Power 33/260 X

[75] Inventor: **Albert George Ling, Jr.**, Keller, Tex.

Primary Examiner—Louis S. Zarfes
Assistant Examiner—Monica A. Weingart

[73] Assignee: **Innovative Weaponry Inc.**, Fort Worth, Tex.

[57] **CLAIM**

[**] Term: **14 Years**

I claim the ornamental design for a replacement blade for a rear sight for a handgun, as shown.

[21] Appl. No.: **29/119,491**

DESCRIPTION

[22] Filed: **Feb. 28, 2000**

[51] **LOC (7) Cl.** **22-01**

[52] **U.S. Cl.** **D22/109; D22/100; D22/108; D22/110; D22/199**

[58] **Field of Search** D22/100, 108, D22/109, 110, 199; 33/241, 242, 243, 245, 246, 247, 248, 249, 250, 251, 252, 260, 261; 42/100, 101, 102

FIG. 1 is a view in rear perspective, showing the design for a replacement blade for a rear sight for a handgun, that portion of the sight shown in phantom lines forming no part of the design.

FIG. 2 is a view in rear elevation thereof. right side elevation thereof.

FIG. 3 is a view in front perspective thereof.

FIG. 4 is a top plan view thereof.

FIG. 5 is a view in front elevation thereof. top plan view thereof.

FIG. 6 is a view in rear elevation thereof.

FIG. 7 is a view in right side elevation thereof; and,

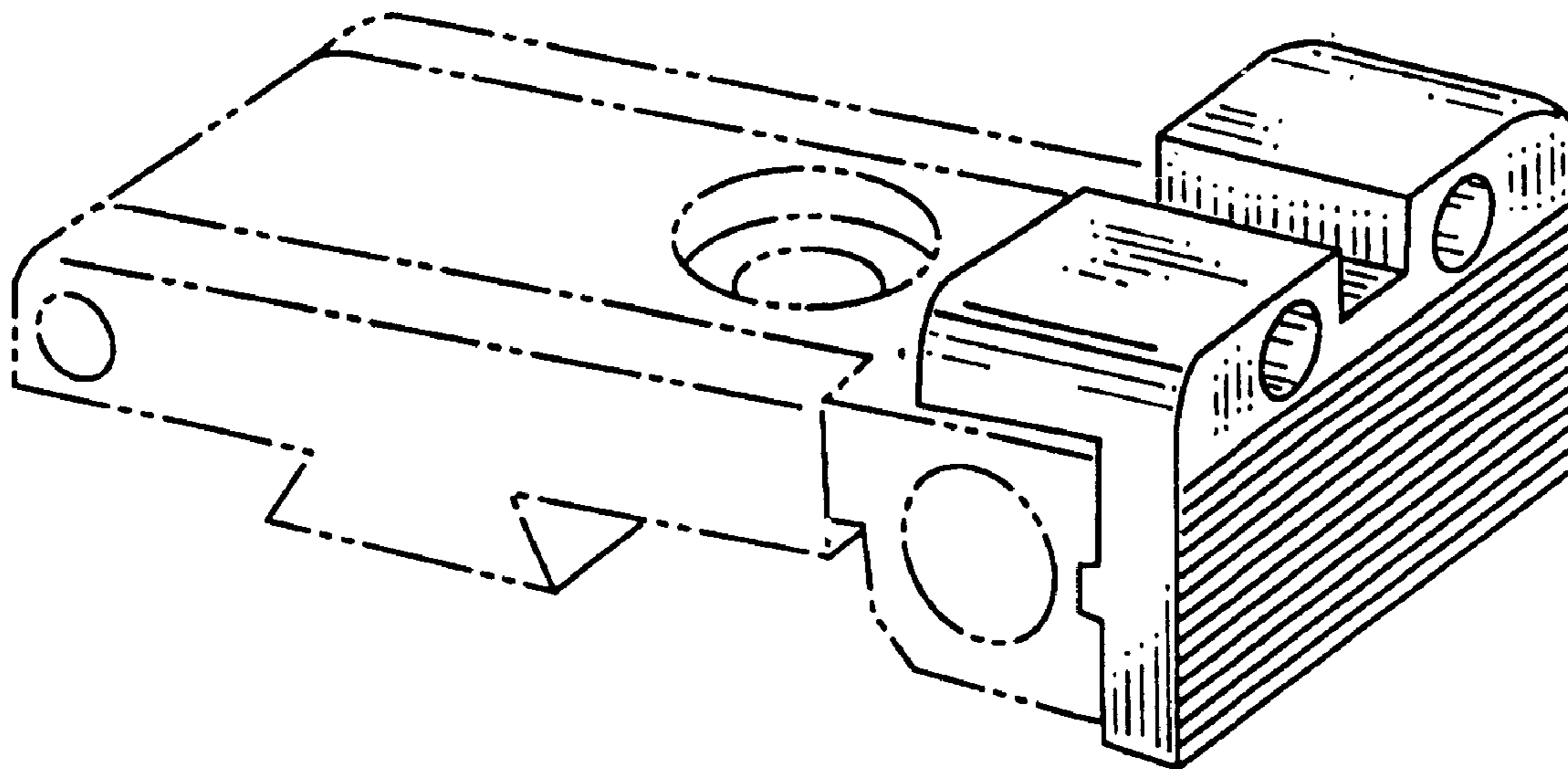
FIG. 8 is a view in left side elevation thereof.

[56] **References Cited**

U.S. PATENT DOCUMENTS

D. 403,734 1/1999 Kay D22/108 X
747,350 12/1903 Andrus 33/261
2,345,801 4/1944 Ferrel 33/241

1 Claim, 1 Drawing Sheet



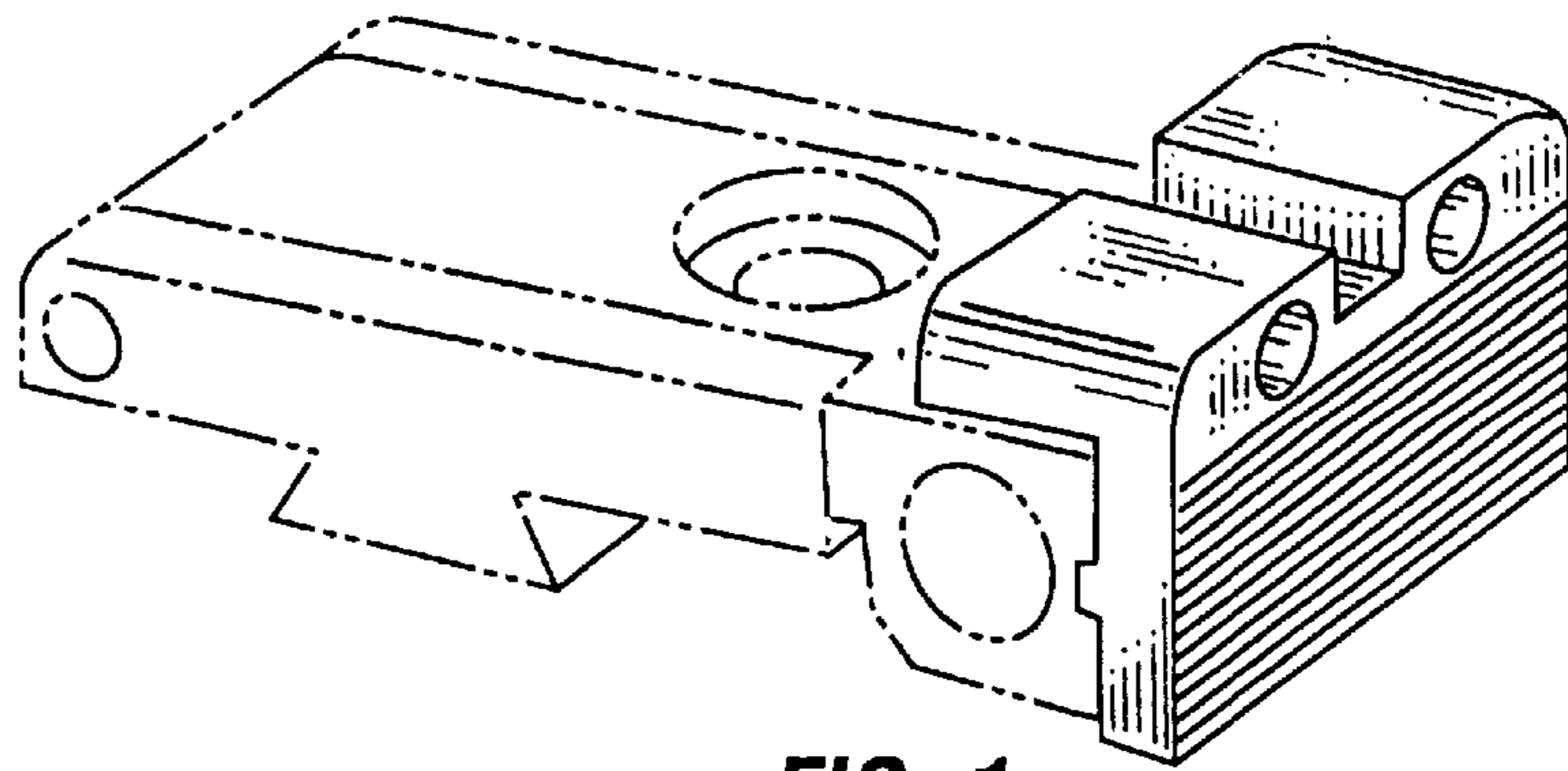


FIG. 1



FIG. 2

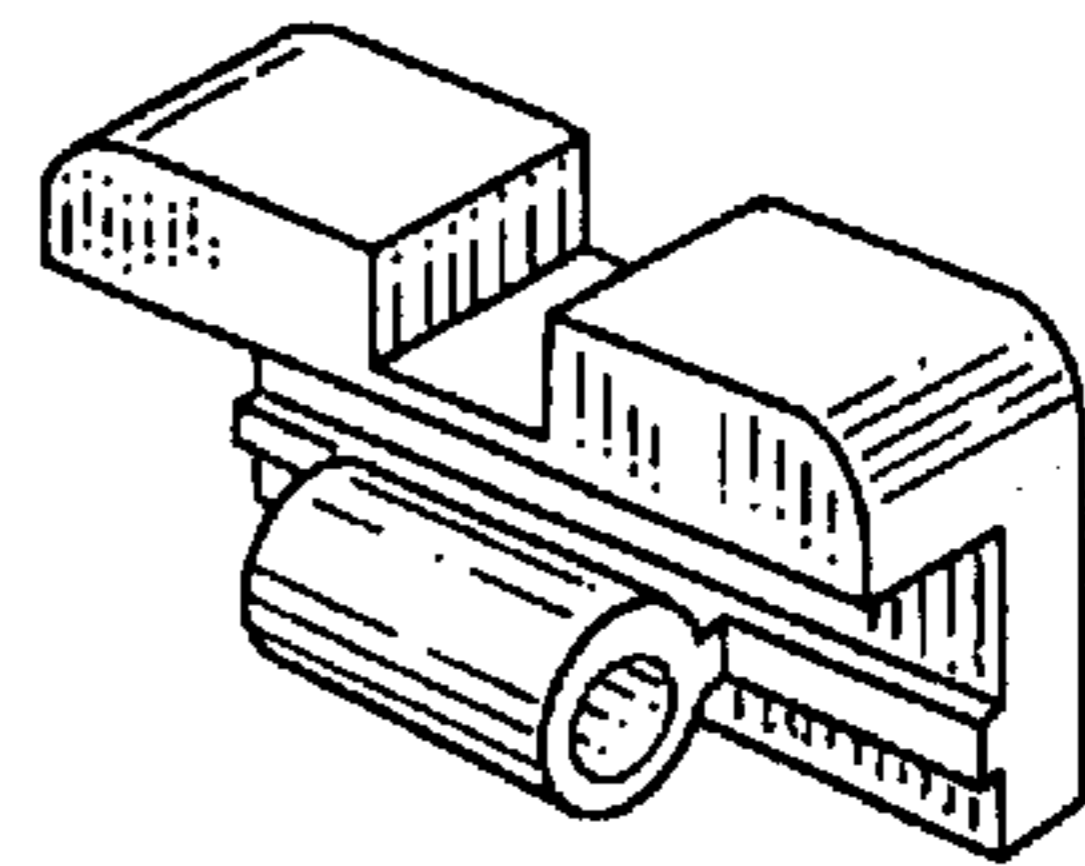


FIG. 3

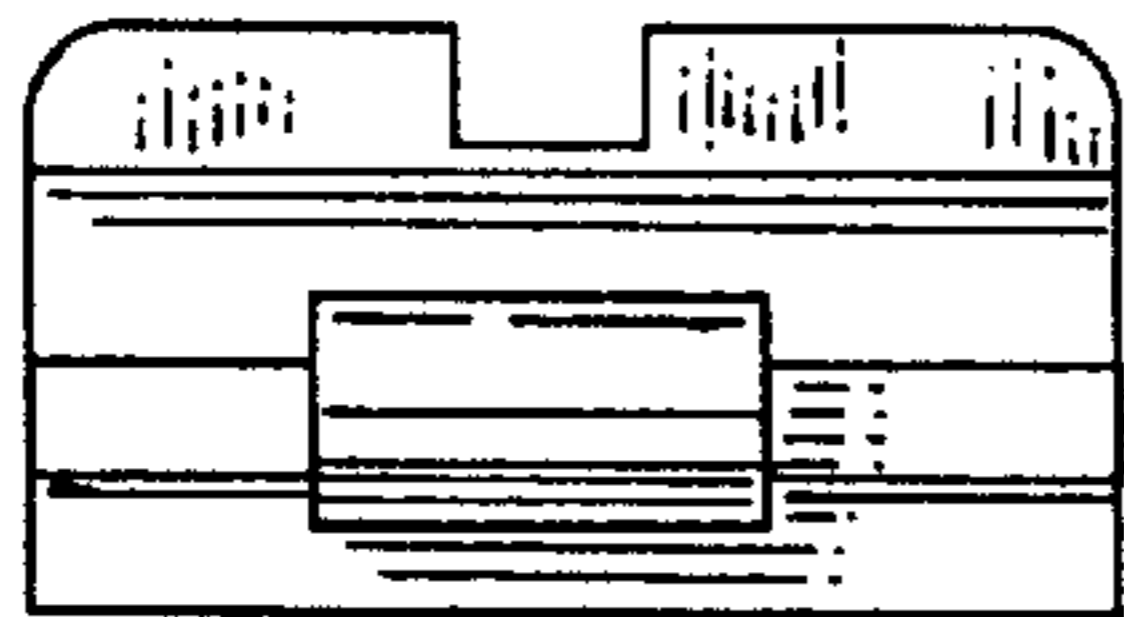


FIG. 5

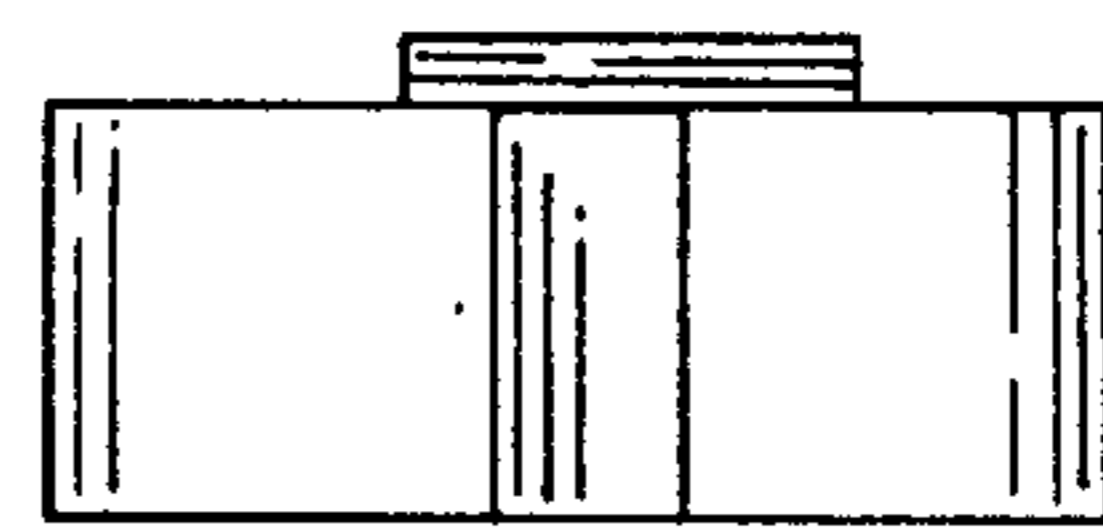


FIG. 4

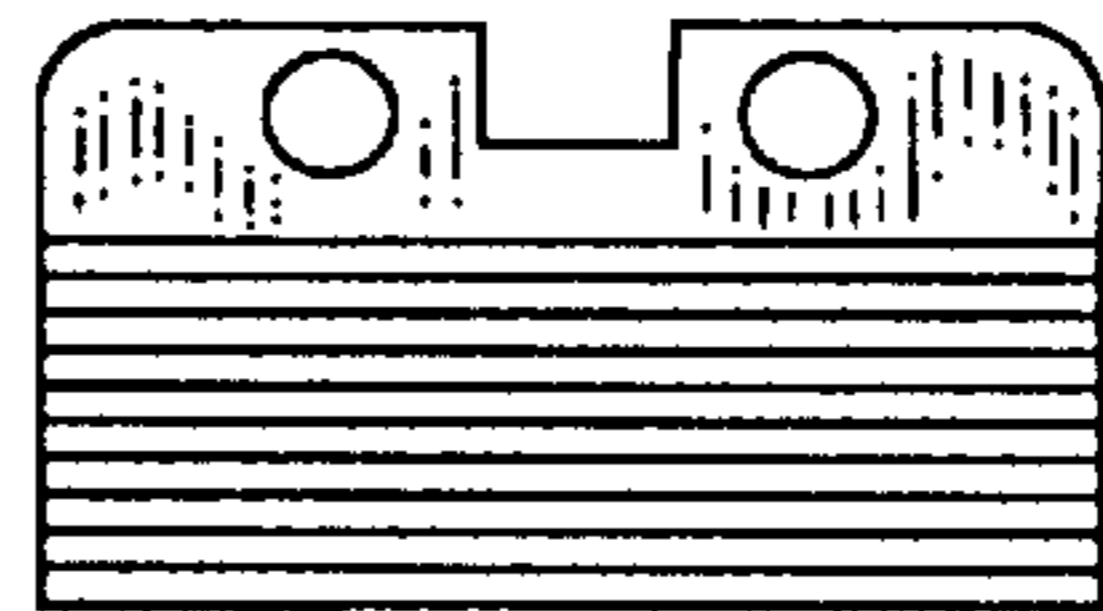


FIG. 6

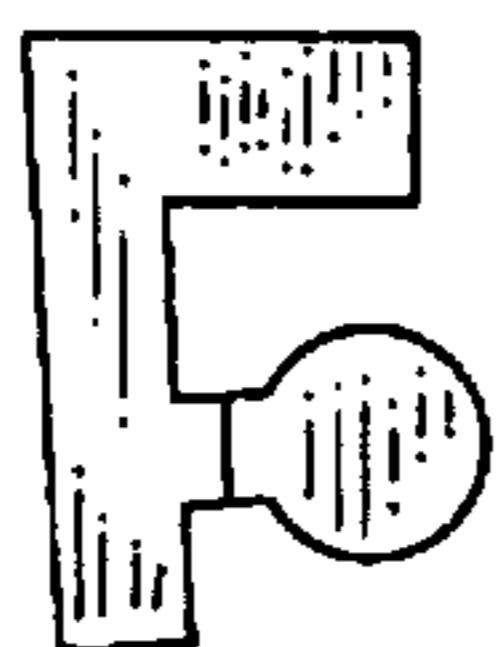


FIG. 7

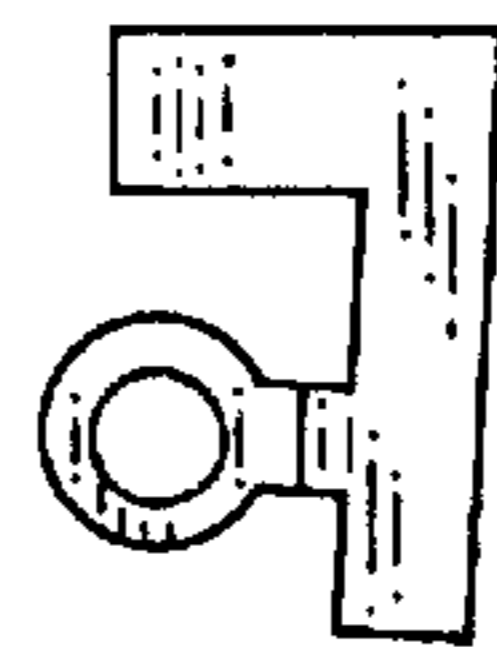


FIG. 8