



US00D435621S

United States Patent [19]

Peterson

[11] **Patent Number: Des. 435,621**

[45] **Date of Patent: ** Dec. 26, 2000**

[54] **INFLATABLE AQUATIC VEHICLE**

D. 393,038	3/1998	Peterson	D21/803
D. 427,656	7/2000	Peterson	D21/803
3,135,978	6/1964	Grasmoen	441/66

[75] Inventor: **Leroy L. Peterson**, Omaha, Nebr.

[73] Assignee: **Sportsstuff, Inc.**, Omaha, Nebr.

[**] Term: **14 Years**

Primary Examiner—Kay H. Chin
Attorney, Agent, or Firm—Henderson & Sturm LLP

[21] Appl. No.: **29/123,455**

[22] Filed: **May 18, 2000**

[57] **CLAIM**

The ornamental design for an inflatable aquatic vehicle, as shown and described.

[51] **LOC (7) Cl.** **21-02**

[52] **U.S. Cl.** **D21/803; D12/316**

[58] **Field of Search** D12/801–811,
D12/300–316; 441/129–132, 88–101, 66;
297/452.41; 114/345

DESCRIPTION

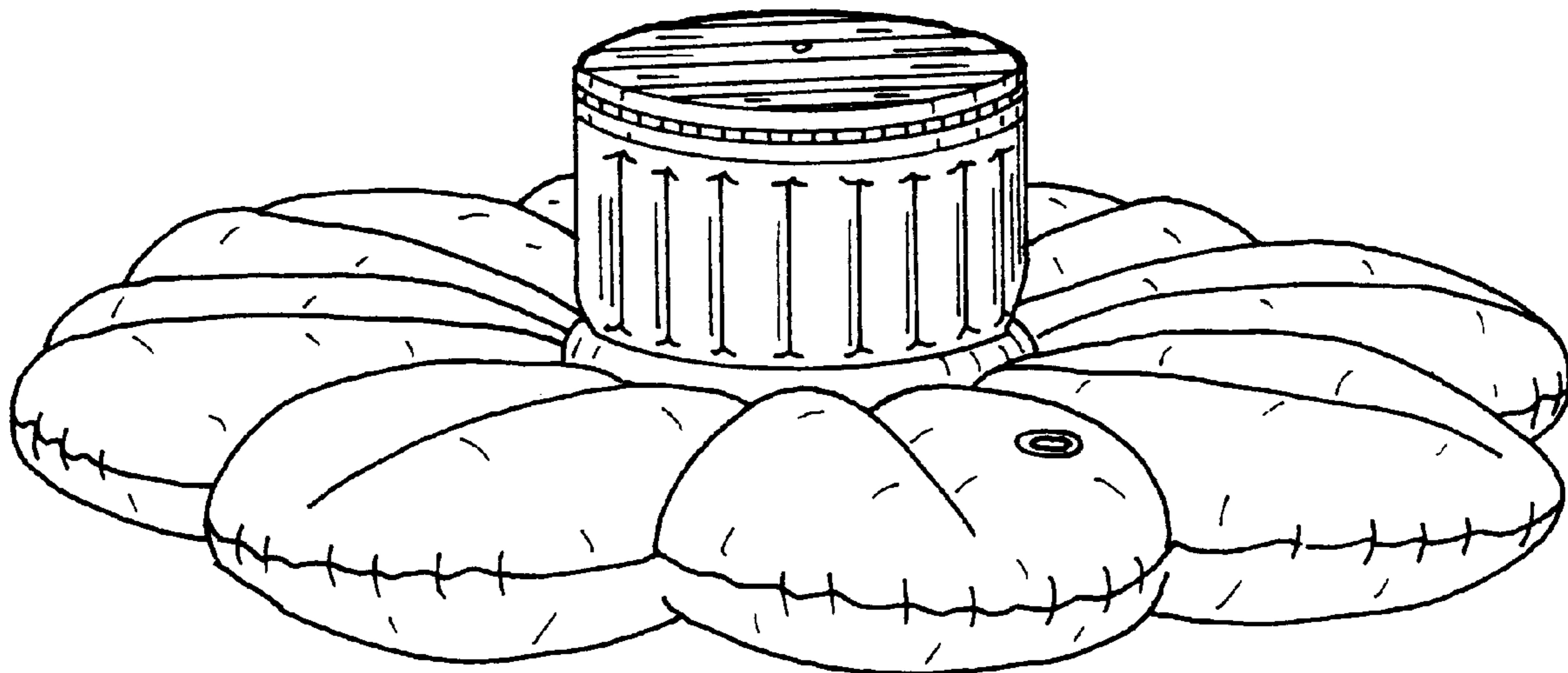
FIG. 1 is a perspective view of the inflatable aquatic vehicle showing my new design;
FIG. 2 is a top plan view thereof;
FIG. 3 is a bottom plan view thereof;
FIG. 4 is a right side elevational view thereof, the left side elevational view being identical thereto; and,
FIG. 5 is a front elevational view thereof, the rear elevational view being identical thereto.

[56] **References Cited**

U.S. PATENT DOCUMENTS

D. 367,307	2/1996	O'Neill	D21/803
D. 384,720	10/1997	Spomer	D21/803

1 Claim, 2 Drawing Sheets



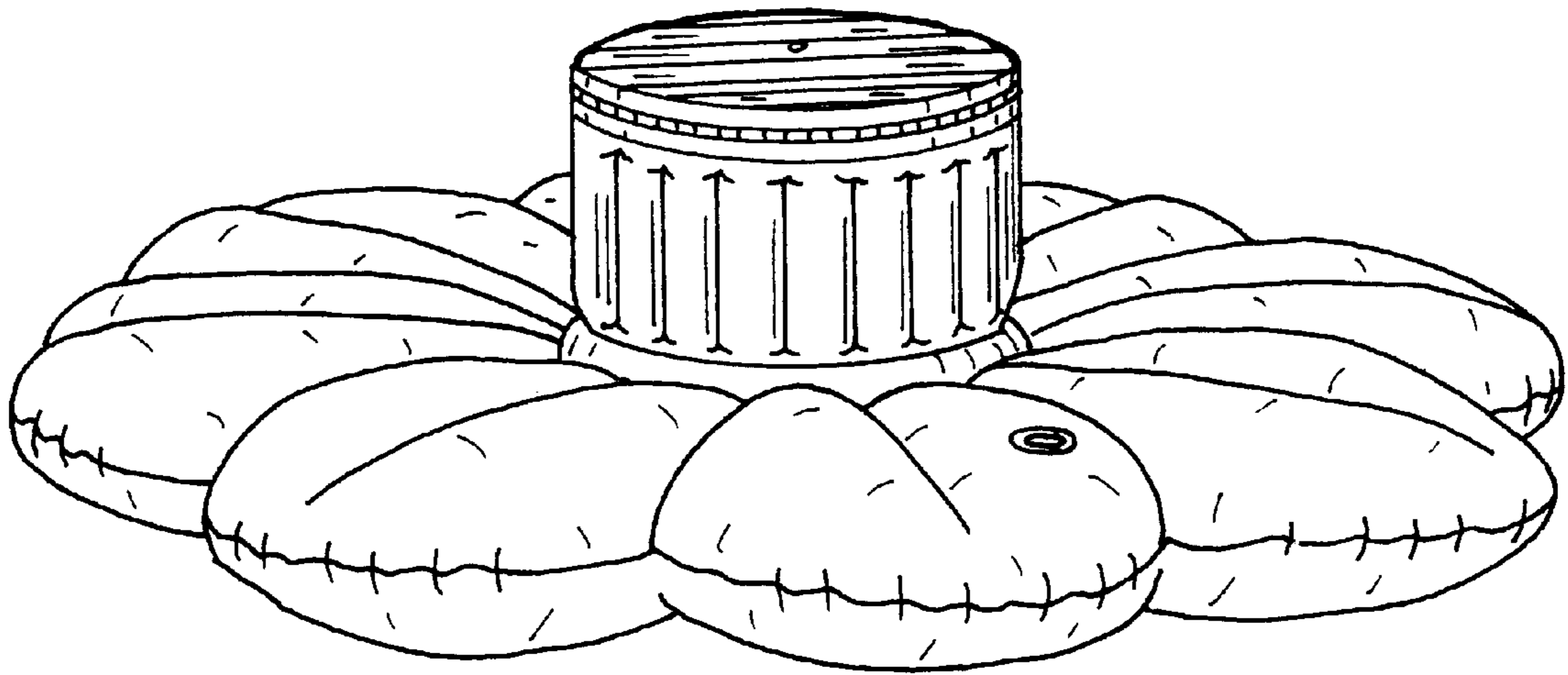


Fig. 1

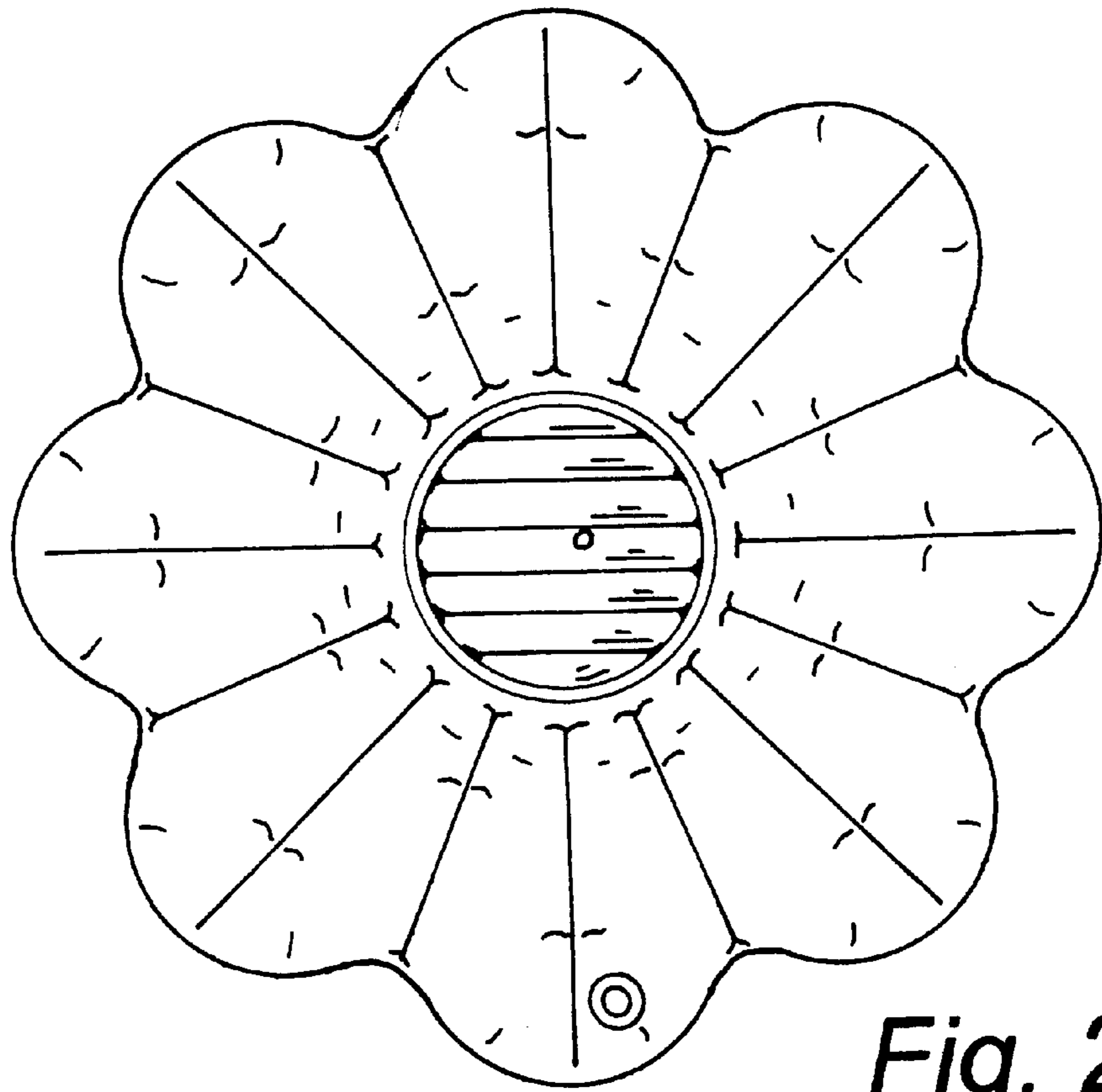


Fig. 2

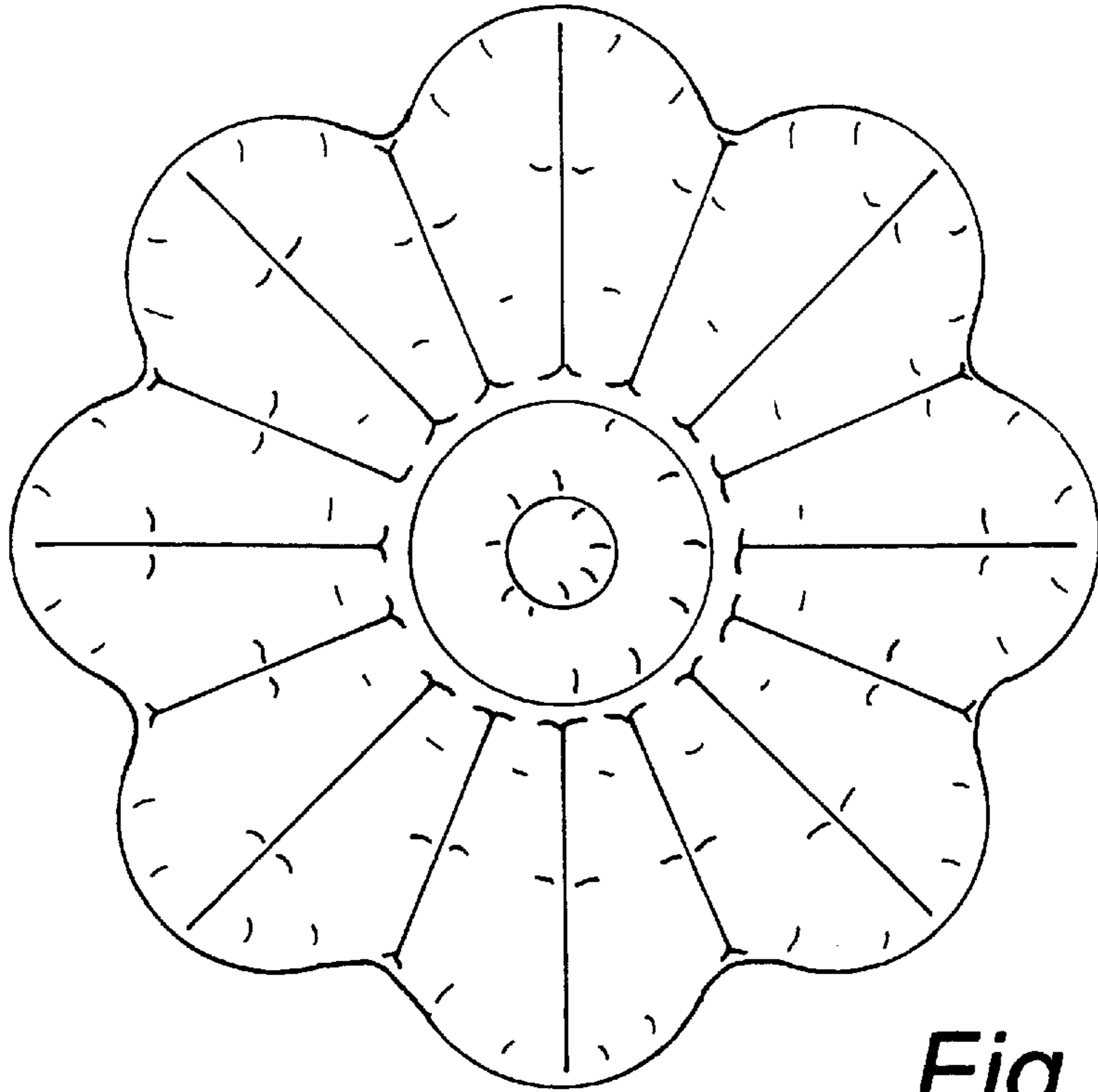


Fig. 3

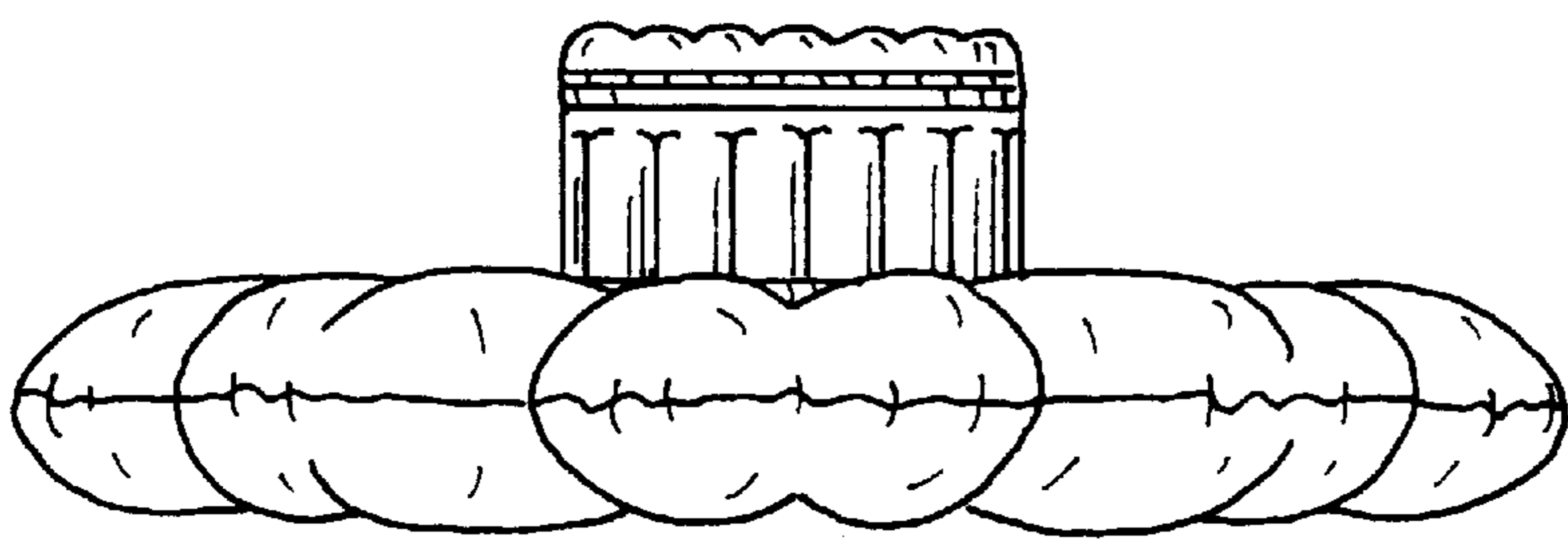


Fig. 4

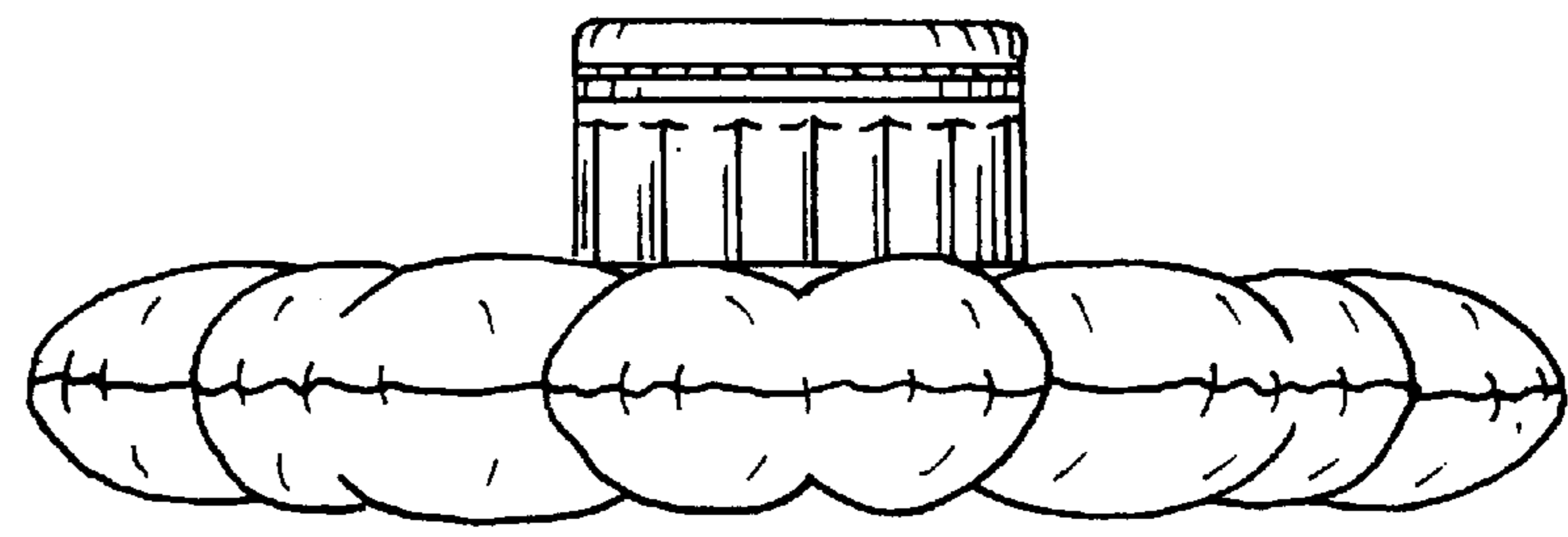


Fig. 5