



US00D435614S

United States Patent [19] Illiano

[11] Patent Number: Des. 435,614

[45] Date of Patent: ** Dec. 26, 2000

[54] SHORT HOCKEY BLADE

5,865,696 2/1999 Calapp et al. 473/561

[76] Inventor: Scott Illiano, 31 Lopez Rd., Cedar Grove, N.J. 07009

Primary Examiner—Mitchell Siegel
Attorney, Agent, or Firm—Paul Gauer

[**] Term: 14 Years

[57] CLAIM

[21] Appl. No.: 29/098,356

The ornamental design for a short hockey blade, as shown and described.

[22] Filed: Dec. 28, 1998

DESCRIPTION

[51] LOC (7) Cl. 21-02

FIG. 1 Perspective view

[52] U.S. Cl. D21/727

FIG. 2 Top view

[58] Field of Search D21/727; 473/560-563

FIG. 3 Bottom view

FIG. 4 Front view

FIG. 5 Rear view

FIG. 6 Side view

FIG. 7 Reverse side view

[56] References Cited

U.S. PATENT DOCUMENTS

3,961,790	6/1976	Milligan	473/560
4,253,666	3/1981	Murphy	473/560
4,361,325	11/1982	Jansen	473/560
5,306,003	4/1994	Pagotto	473/560
5,447,306	9/1995	Selden	473/560
5,511,776	4/1996	Huru	473/560
5,863,269	1/1999	Filice	473/562

FIG. 8 Perspective view of the second embodiment of short hockey blade; and,

FIG. 9 Perspective view of the third embodiment of short hockey blade.

1 Claim, 6 Drawing Sheets

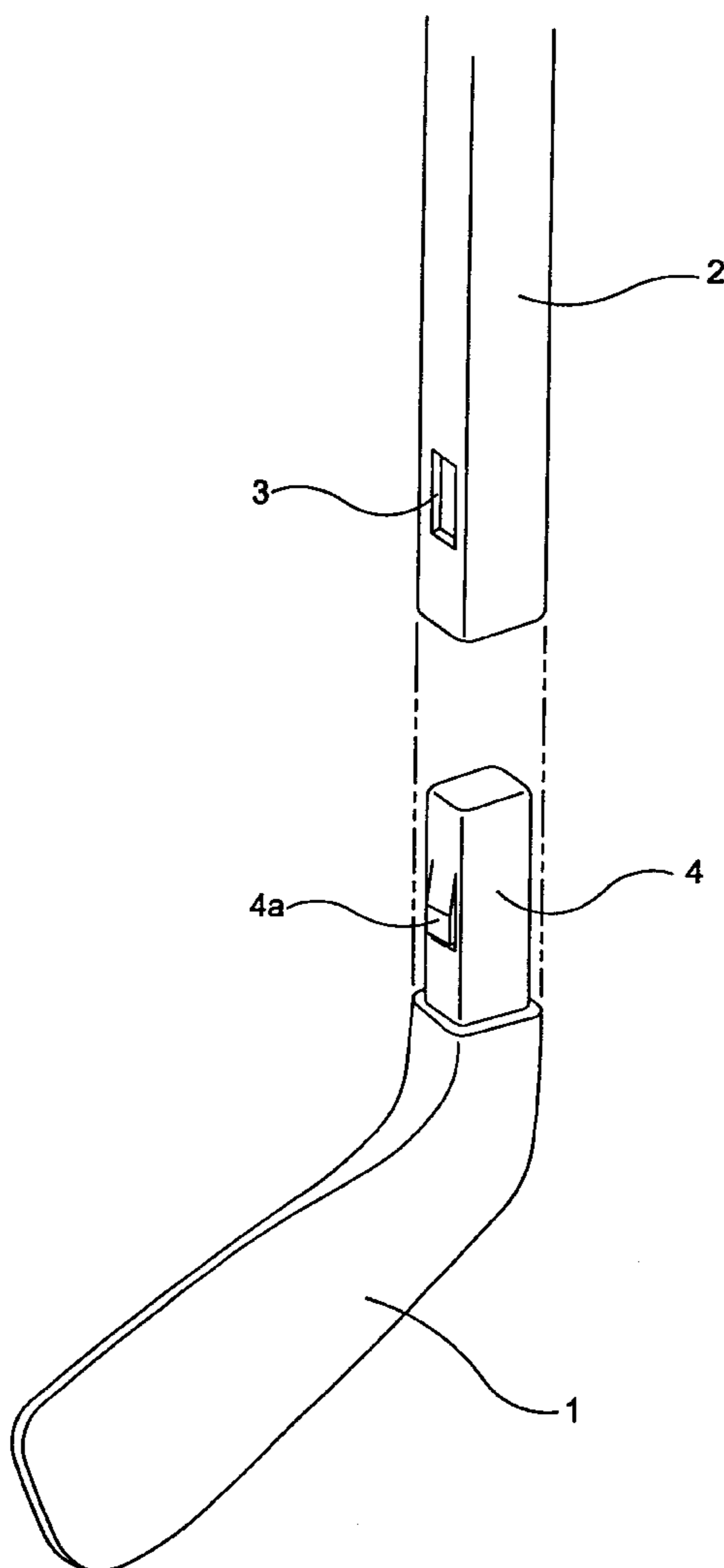


FIG-1

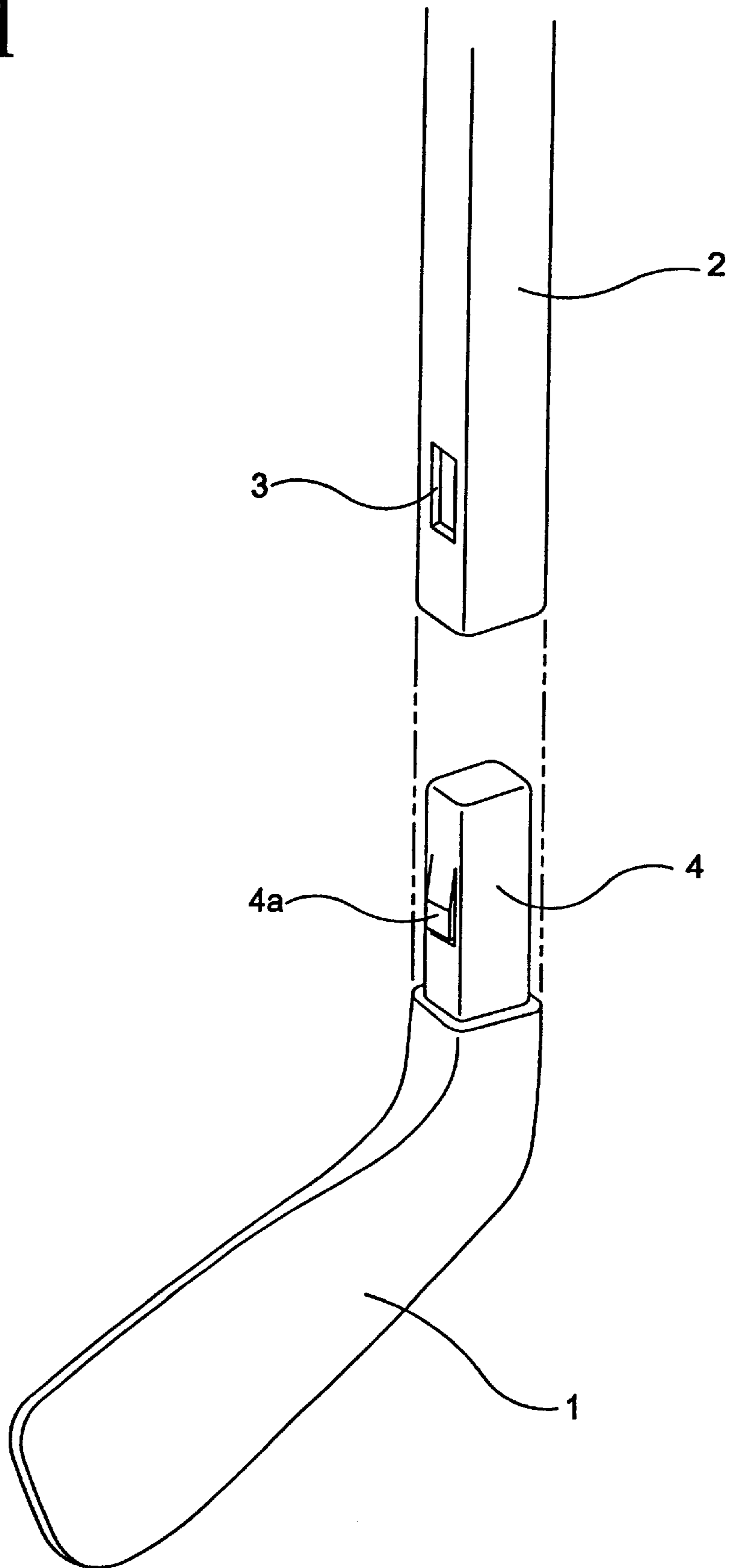


FIG-2

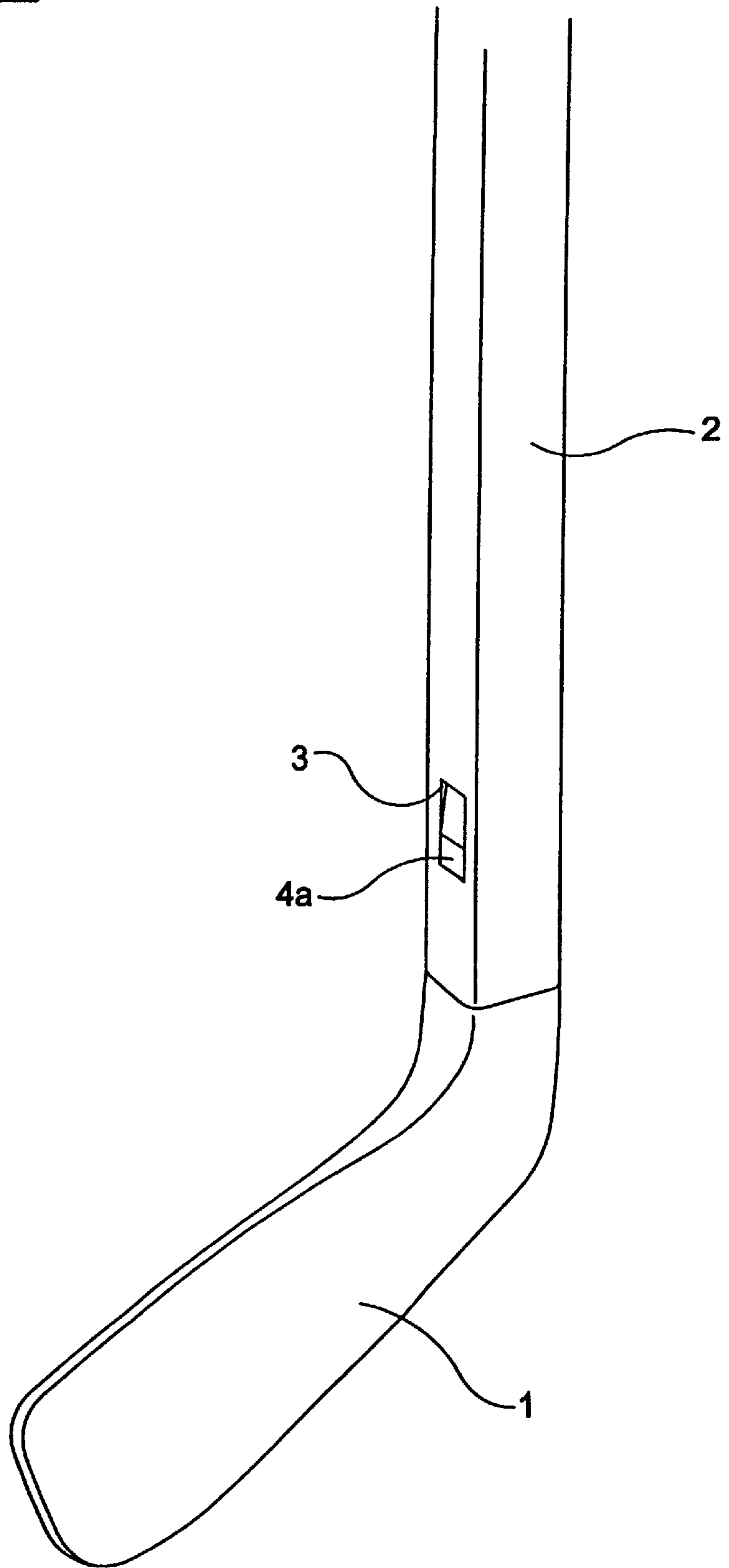


FIG-3

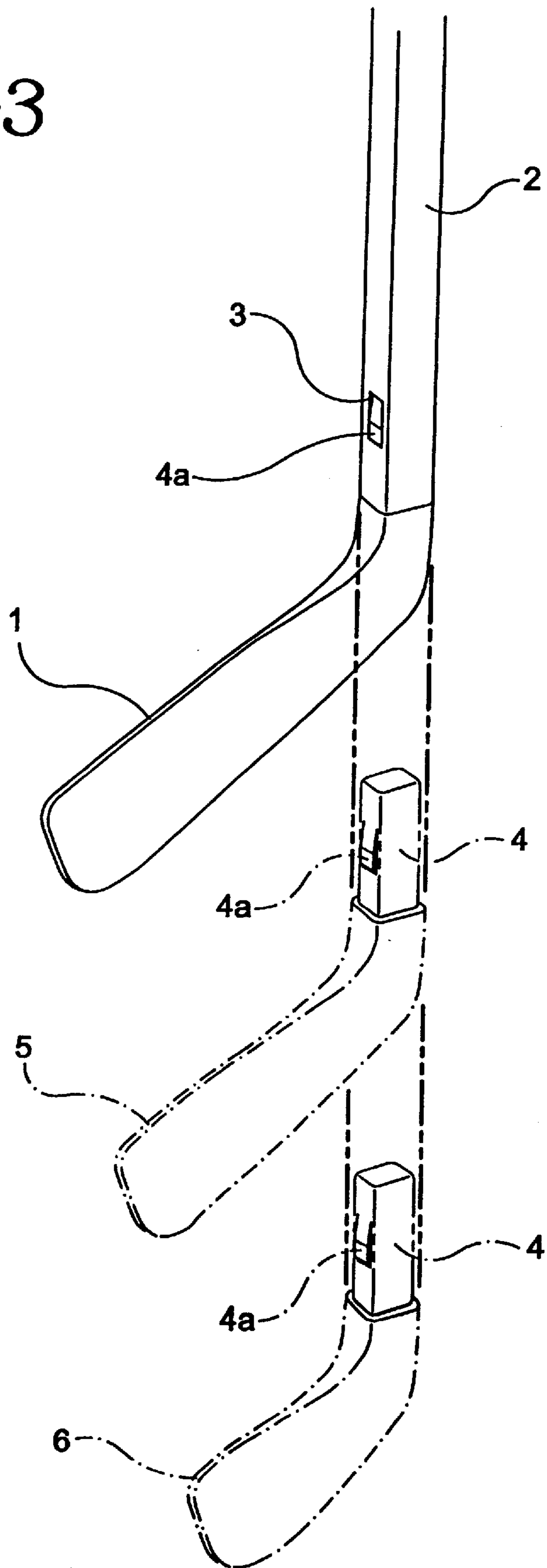


FIG-4

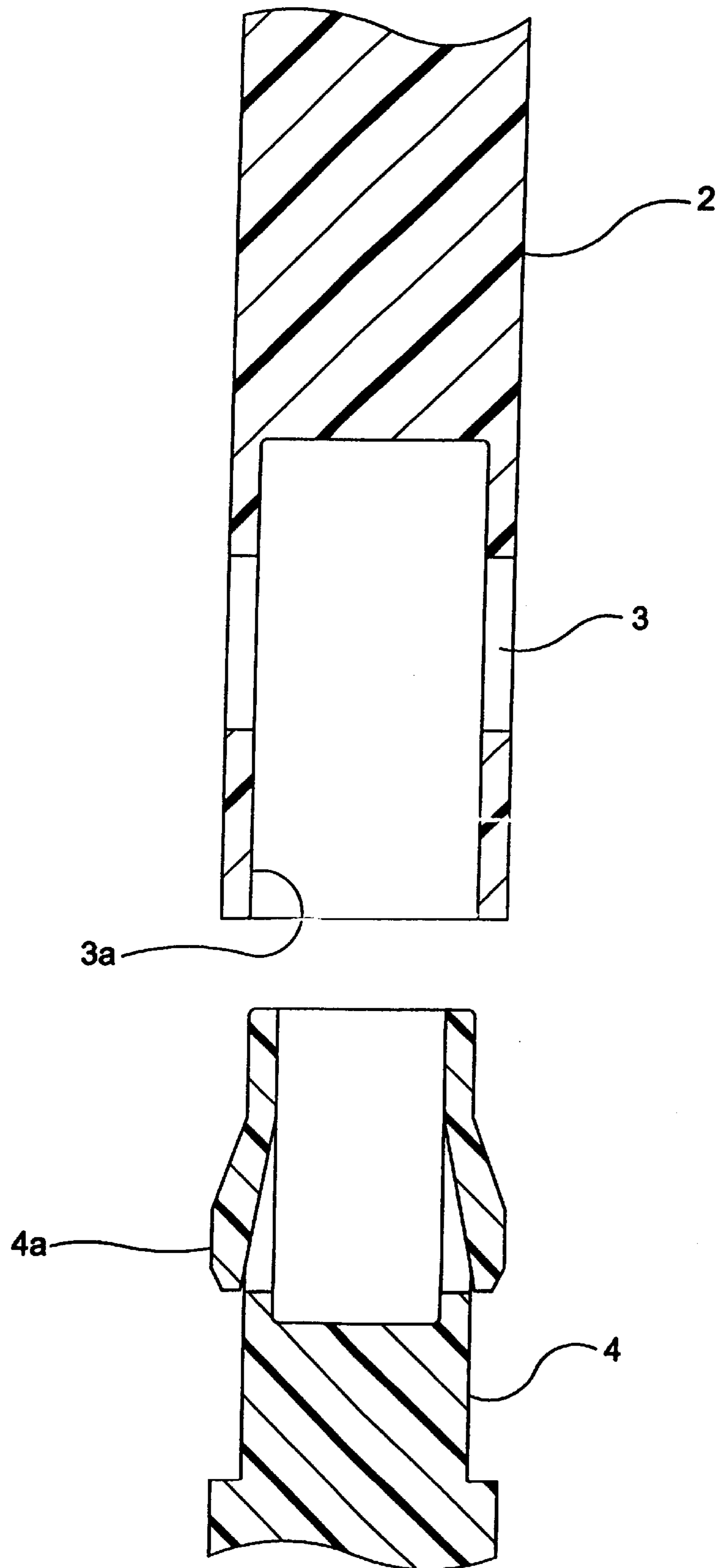


FIG-5

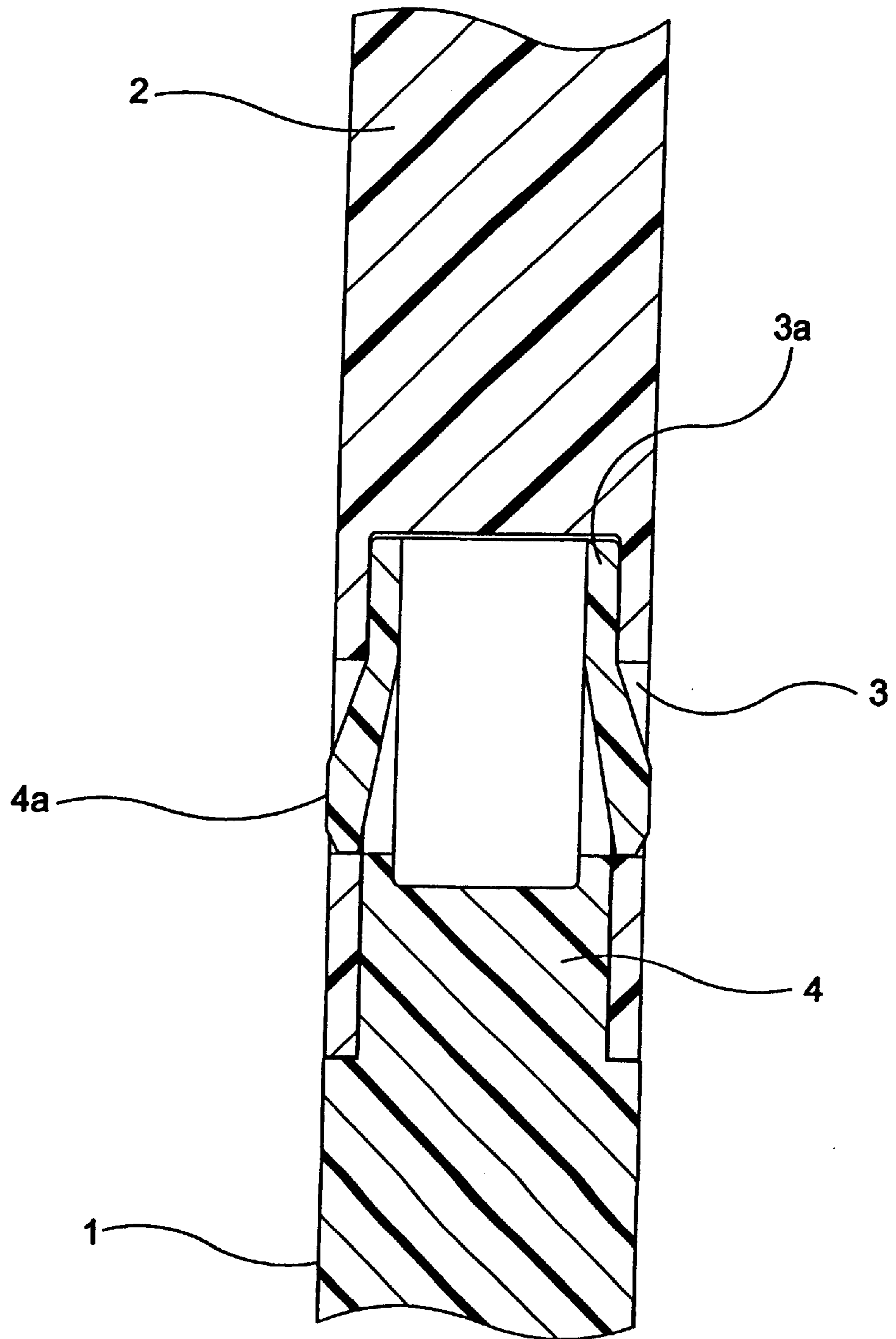


FIG-6

