



US00D435612S

**United States Patent** [19]  
**Petranoff**

[11] **Patent Number: Des. 435,612**

[45] **Date of Patent: \*\* Dec. 26, 2000**

[54] **TRAINING JAVELIN**

[76] Inventor: **Thomas A. Petranoff**, 660 Lantern  
Knight Rd., Cranston, R.I. 02921

[\*\*] Term: **14 Years**

[21] Appl. No.: **29/113,551**

[22] Filed: **Nov. 5, 1999**

[51] **LOC (7) Cl.** ..... **21-02**

[52] **U.S. Cl.** ..... **D21/707**

[58] **Field of Search** ..... D21/707, 387;  
D22/117, 118; 473/585, 586, 613; 482/20

[56] **References Cited**

**U.S. PATENT DOCUMENTS**

2,196,610	4/1940	Schlademan et al. .	
2,277,743	3/1942	Crossman .....	473/586
3,746,334	7/1973	Stubblefield .....	482/20
4,204,307	5/1980	Pfetzing .	
4,333,643	6/1982	Saffire .	

4,457,514	7/1984	Paxman .	
4,946,172	8/1990	Wong .....	473/585
5,067,728	11/1991	Dadbeh .....	473/585
5,267,735	12/1993	Bushman .....	473/586
5,443,273	8/1995	Lovorn .	

*Primary Examiner*—Richelle Shelton  
*Attorney, Agent, or Firm*—Barlow, Josephs & Holmes, Ltd.

[57] **CLAIM**

The ornamental design for a training javelin, as shown.

**DESCRIPTION**

FIG. 1 is a perspective view of a training javelin showing my new design;

FIG. 2 is a top view thereof;

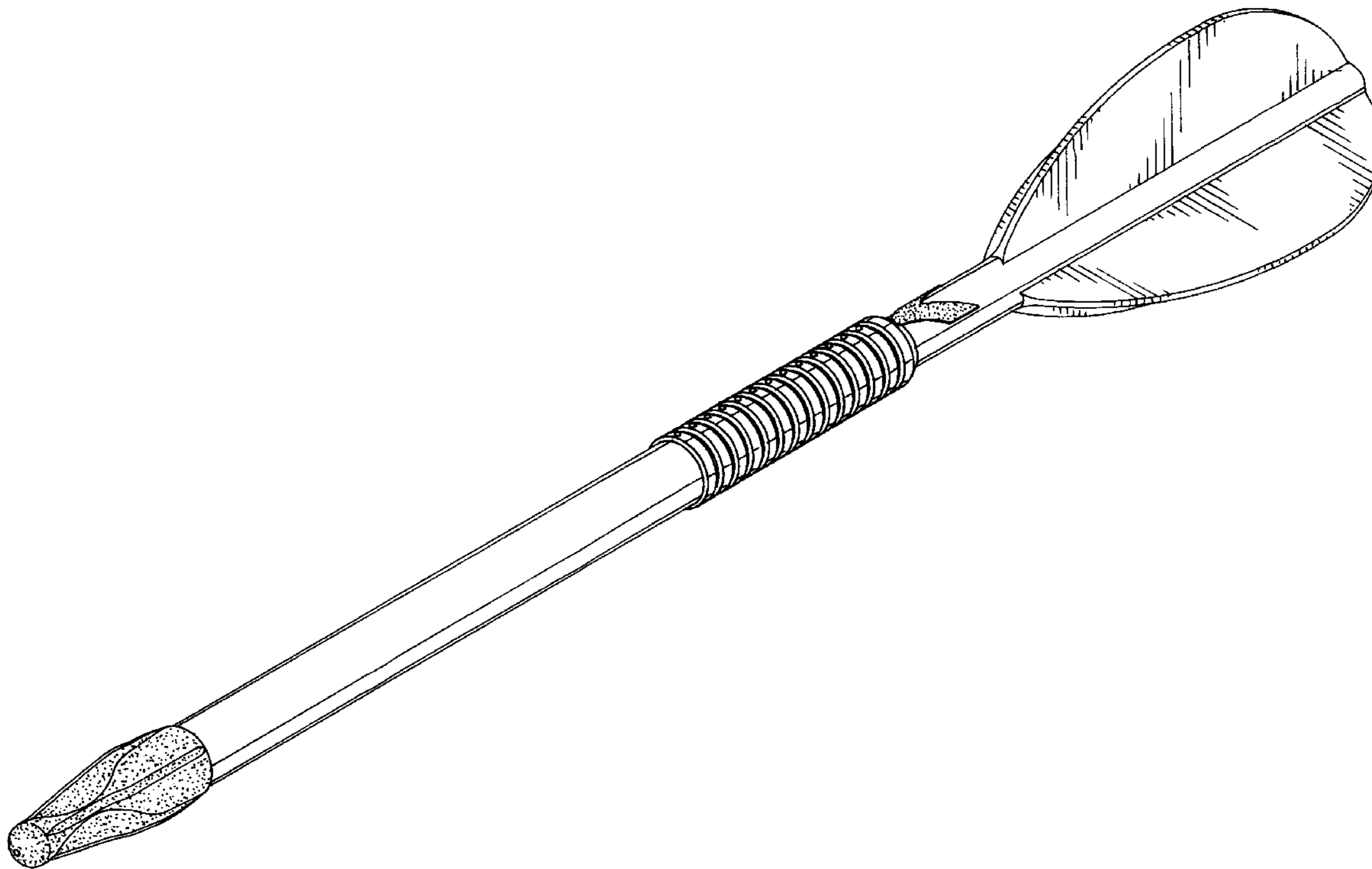
FIG. 3 is a bottom view thereof;

FIG. 4 is a right side elevational view thereof; the left side elevational view being a mirror image thereof;

FIG. 5 is a front elevational view thereof; and,

FIG. 6 is a rear elevational view thereof.

**1 Claim, 3 Drawing Sheets**



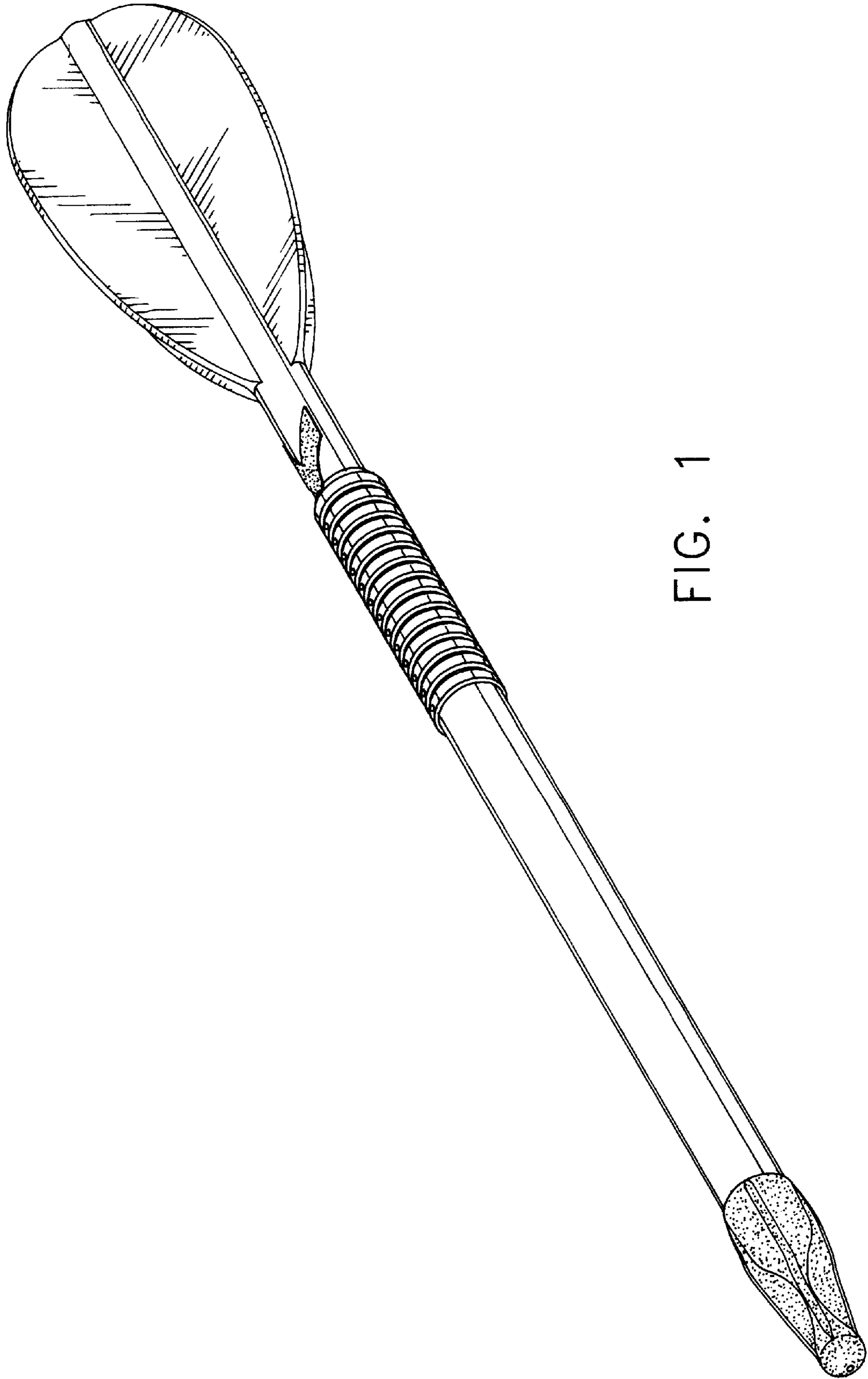


FIG. 1

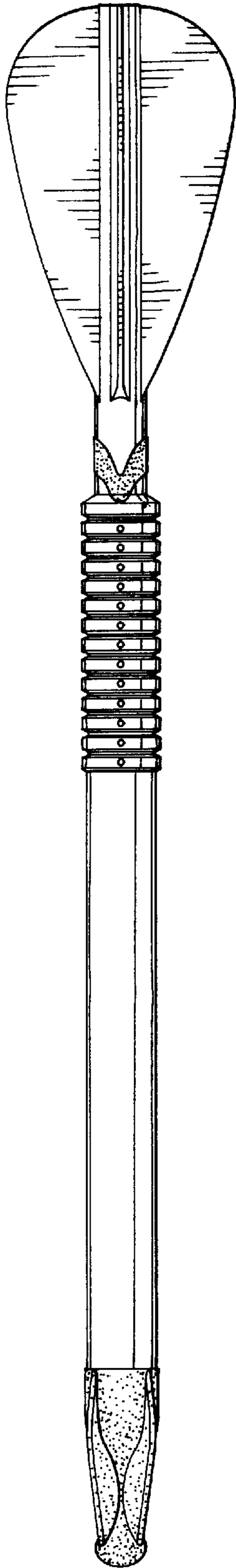


FIG. 2

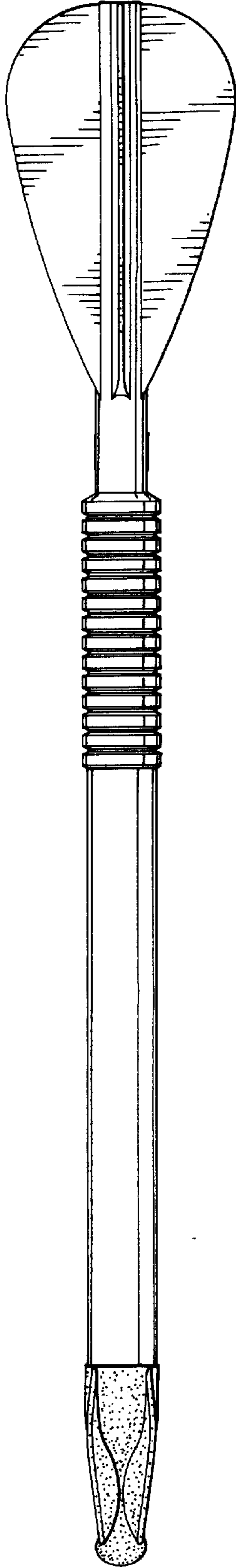


FIG. 3

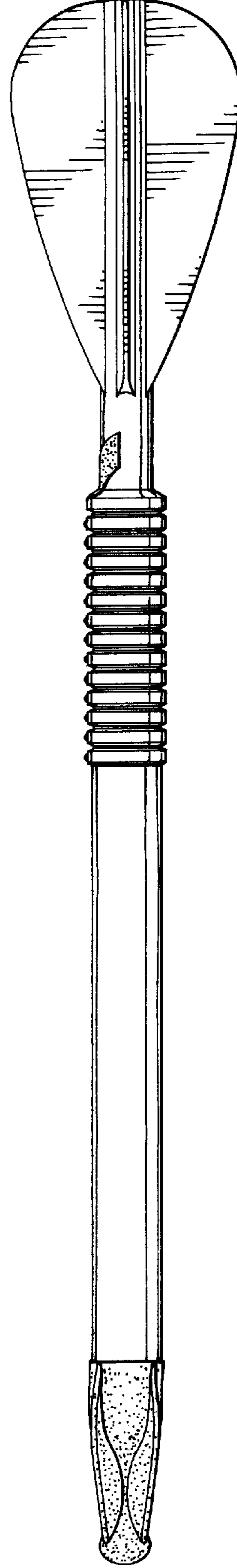


FIG. 4

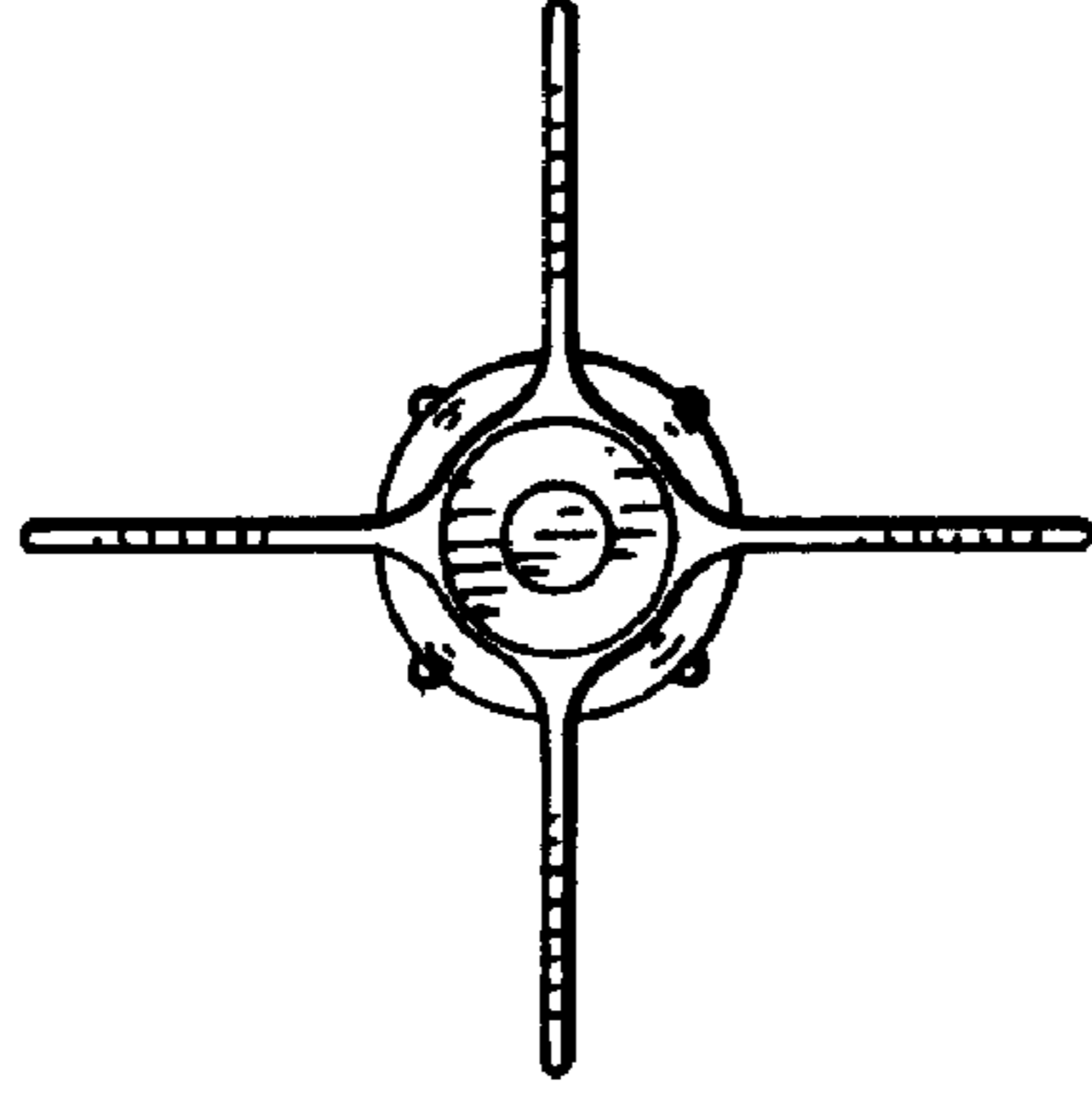


FIG. 6

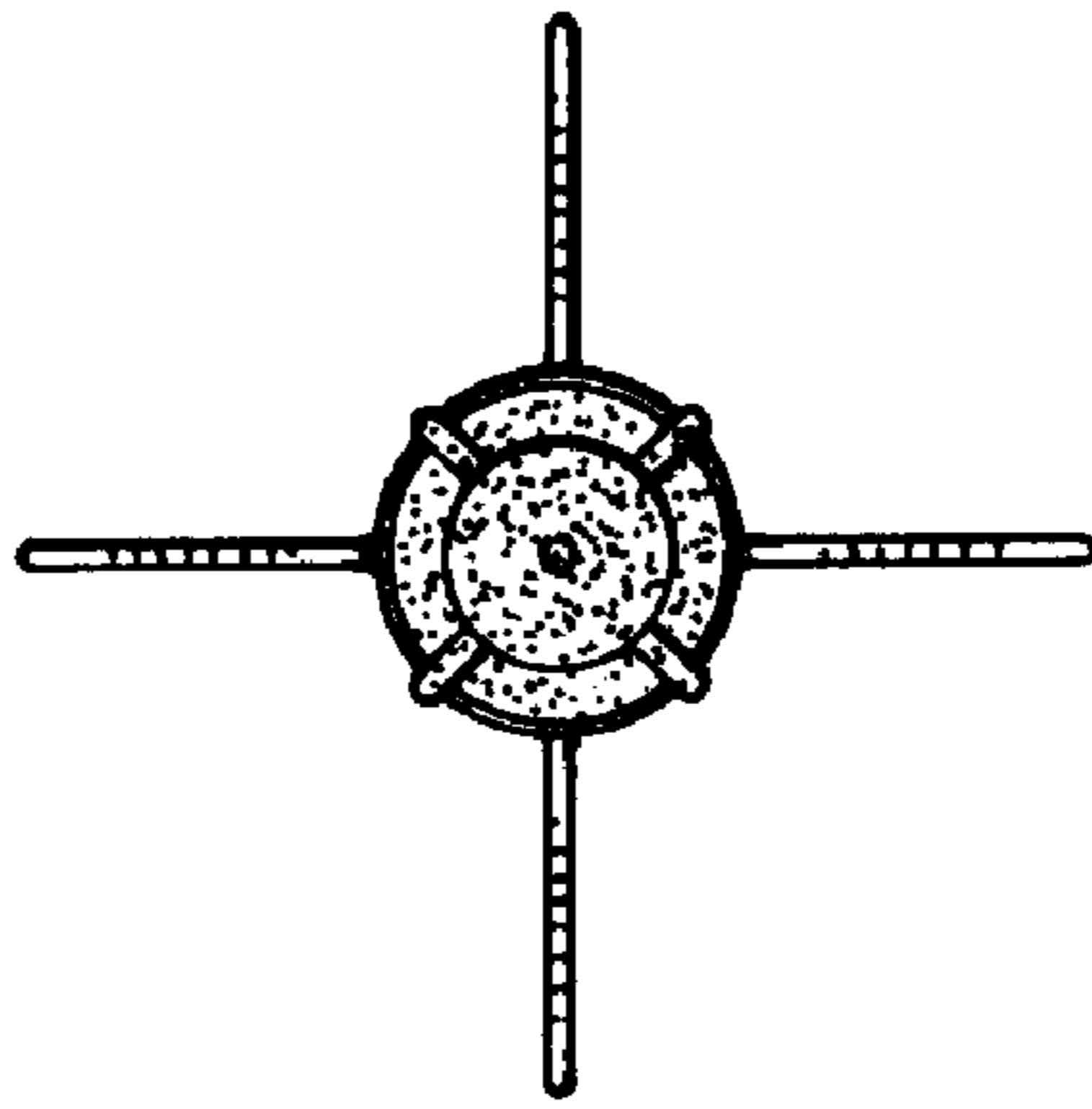


FIG. 5