



US00D435609S

**United States Patent** [19]  
**Sorensen**

[11] **Patent Number: Des. 435,609**

[45] **Date of Patent: \*\* Dec. 26, 2000**

[54] **TOY BUILDING ELEMENT**

[76] **Inventor: Soren Christian Sorensen, P.O. Box 256, North Side, Grand Cayman, Cayman Islands**

[\*\*] **Term: 14 Years**

[21] **Appl. No.: 29/115,825**

[22] **Filed: Dec. 21, 1999**

3,415,007	12/1968	Howe .	
3,877,170	4/1975	Bakker .....	446/124
4,789,370	12/1988	Ellefson .	
5,049,105	9/1991	Glickman .....	446/126
5,069,647	12/1991	Zuviria .	
5,267,863	12/1993	Simmons, Jr. .	
5,310,071	5/1994	Rivlin et al. .	
5,471,808	12/1995	De Pieri .....	446/128
5,653,621	8/1997	Yao .	
5,795,210	8/1998	Kushner et al. .	
5,848,927	12/1998	Frederiksen .....	446/128

**Related U.S. Application Data**

[63] Continuation-in-part of application No. 29/100,260, Feb. 8, 1999.

[51] **LOC (7) Cl. .... 21-01**

[52] **U.S. Cl. .... D21/499; D21/900; D21/503**

[58] **Field of Search .... D21/484, 486, D21/489-491, 499-505; 446/85, 108-116, 117, 120-122, 124, 125, 128**

[56] **References Cited**

**U.S. PATENT DOCUMENTS**

D. 238,168	12/1975	Ketcham .	
D. 249,230	9/1978	Van Der Veken .....	D21/500
D. 249,232	9/1978	Van der Veken .	
D. 363,647	10/1995	Rivlin et al. .	
D. 367,403	2/1996	Rivlin et al. .	
D. 368,939	4/1996	Frederiksen .	
D. 370,503	6/1996	Burns .....	D21/500
D. 384,993	10/1997	Rasmussen et al. .	
D. 403,721	1/1999	Bean .....	D21/499
2,132,757	10/1938	Paulson .....	D21/499
2,472,363	6/1949	Blackinton .....	D21/504
3,374,917	3/1968	Troy .	

**FOREIGN PATENT DOCUMENTS**

849775	8/1970	Canada .
WO 93/04749	3/1993	WIPO .

*Primary Examiner*—Raphael Barkai  
*Attorney, Agent, or Firm*—Edward W. Callan

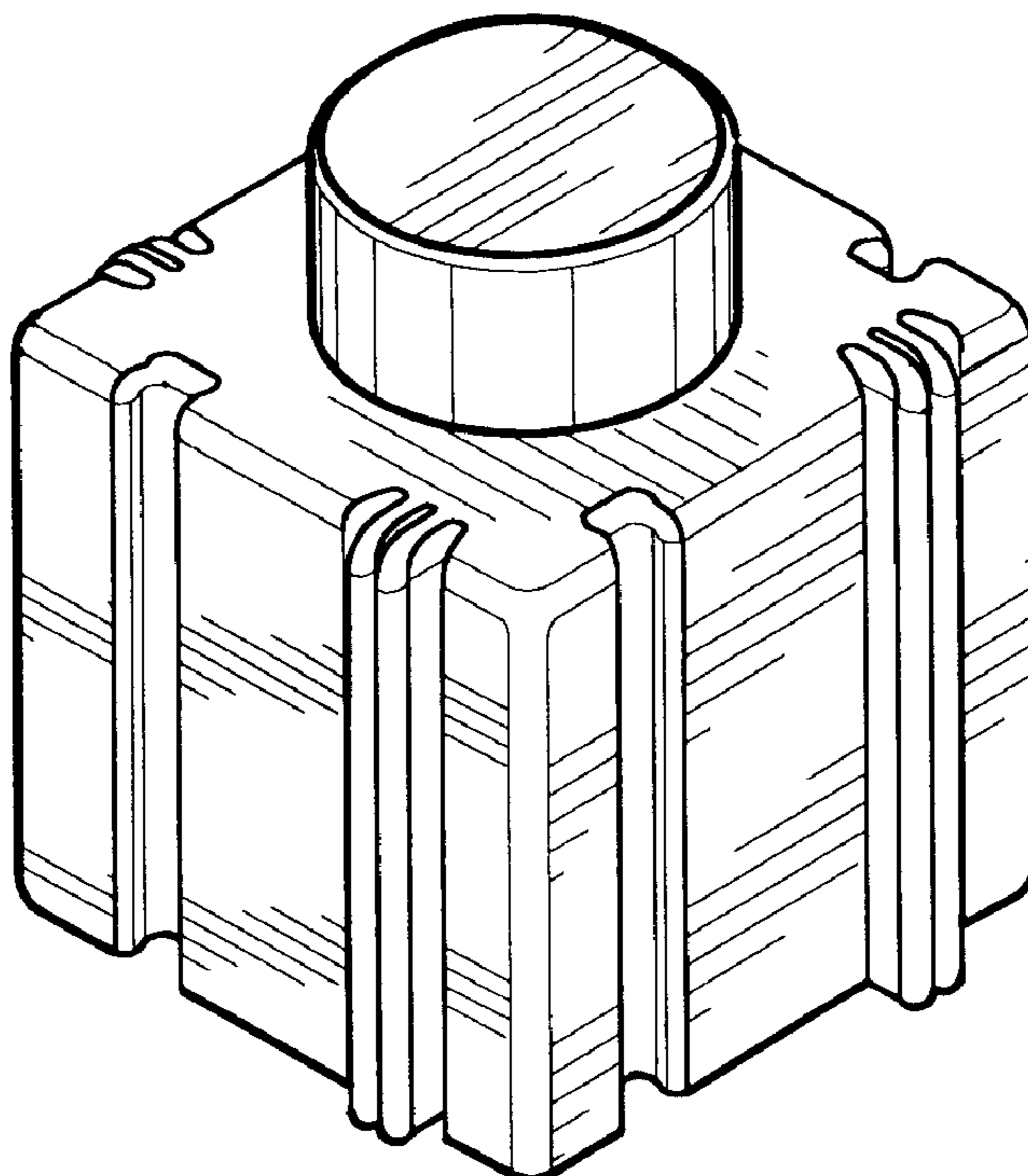
[57] **CLAIM**

The ornamental design for a toy building element, as shown and described.

**DESCRIPTION**

It is intended that the toy building element of the present invention be used in a set of toy building blocks that are capable of being interconnected in a releasable engagement. FIG. 1 is a top perspective view of the toy building element. FIG. 2 is a side view of the embodiment of the toy building element shown in FIG. 1. All four sides of this embodiment are identical. FIG. 3 is a top view of the embodiment of the toy building element shown in FIG. 1; and, FIG. 4 is a bottom view of the embodiment of the toy building element shown in FIG. 1.

**1 Claim, 1 Drawing Sheet**



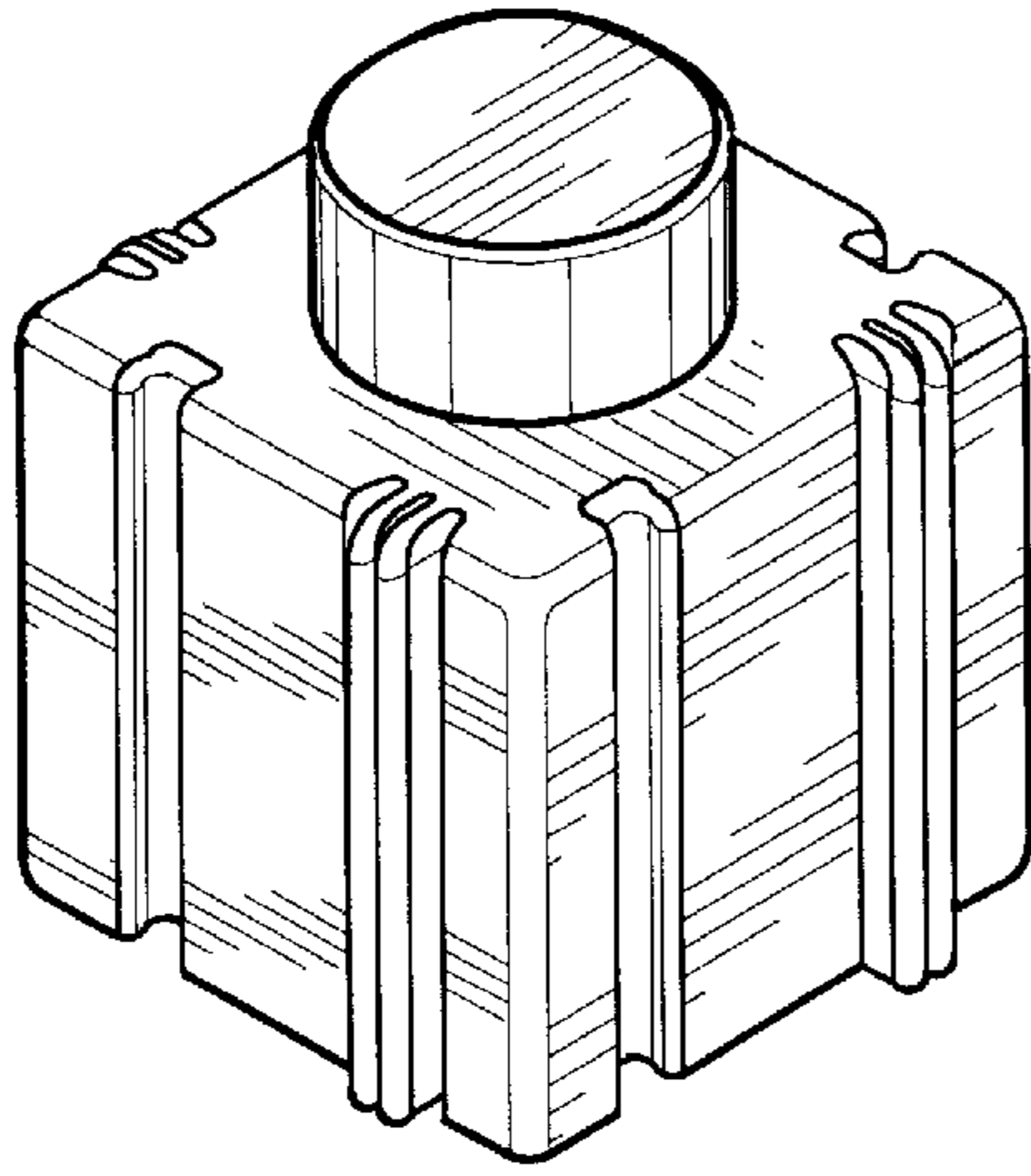


FIG. 1

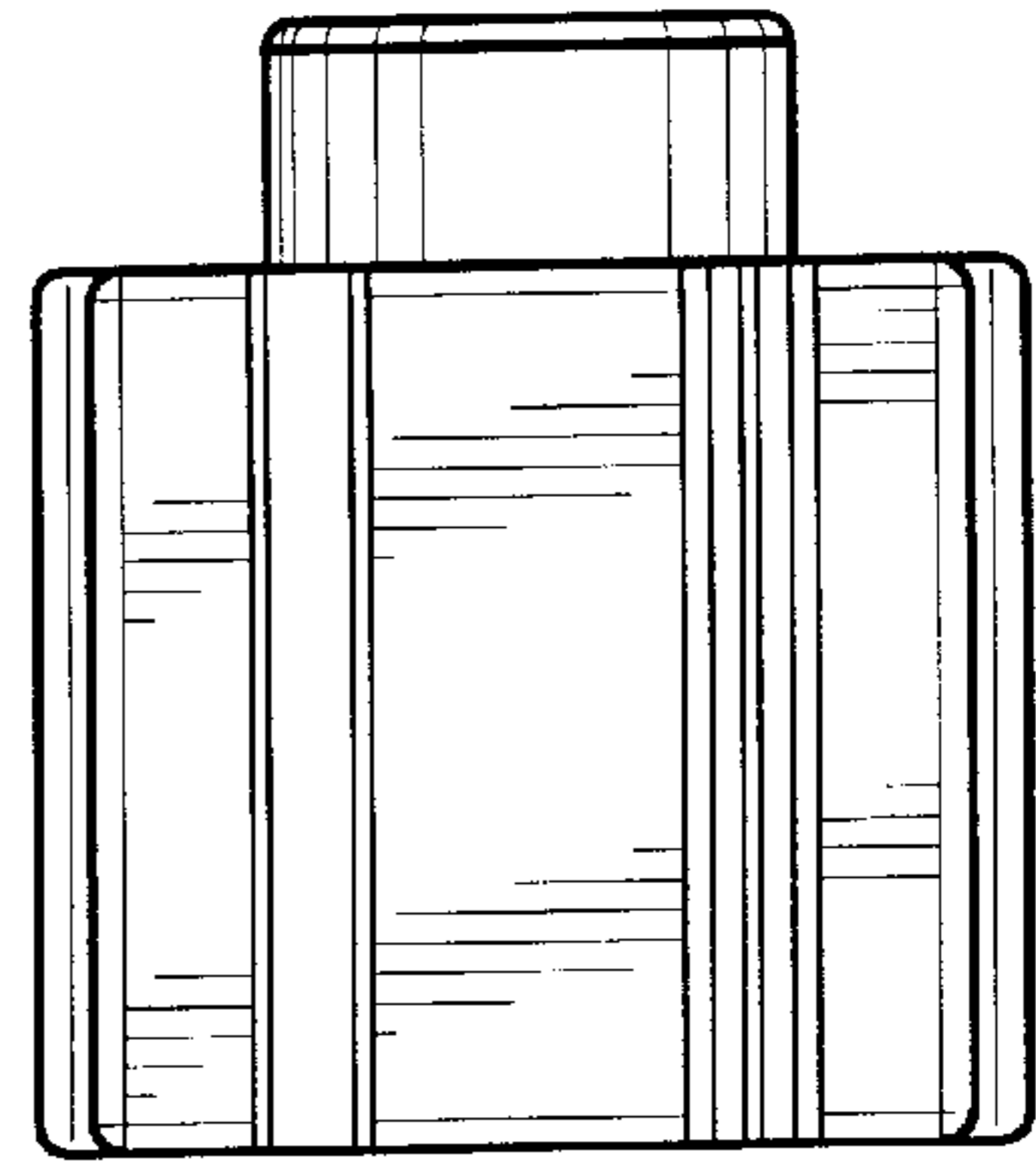


FIG. 2

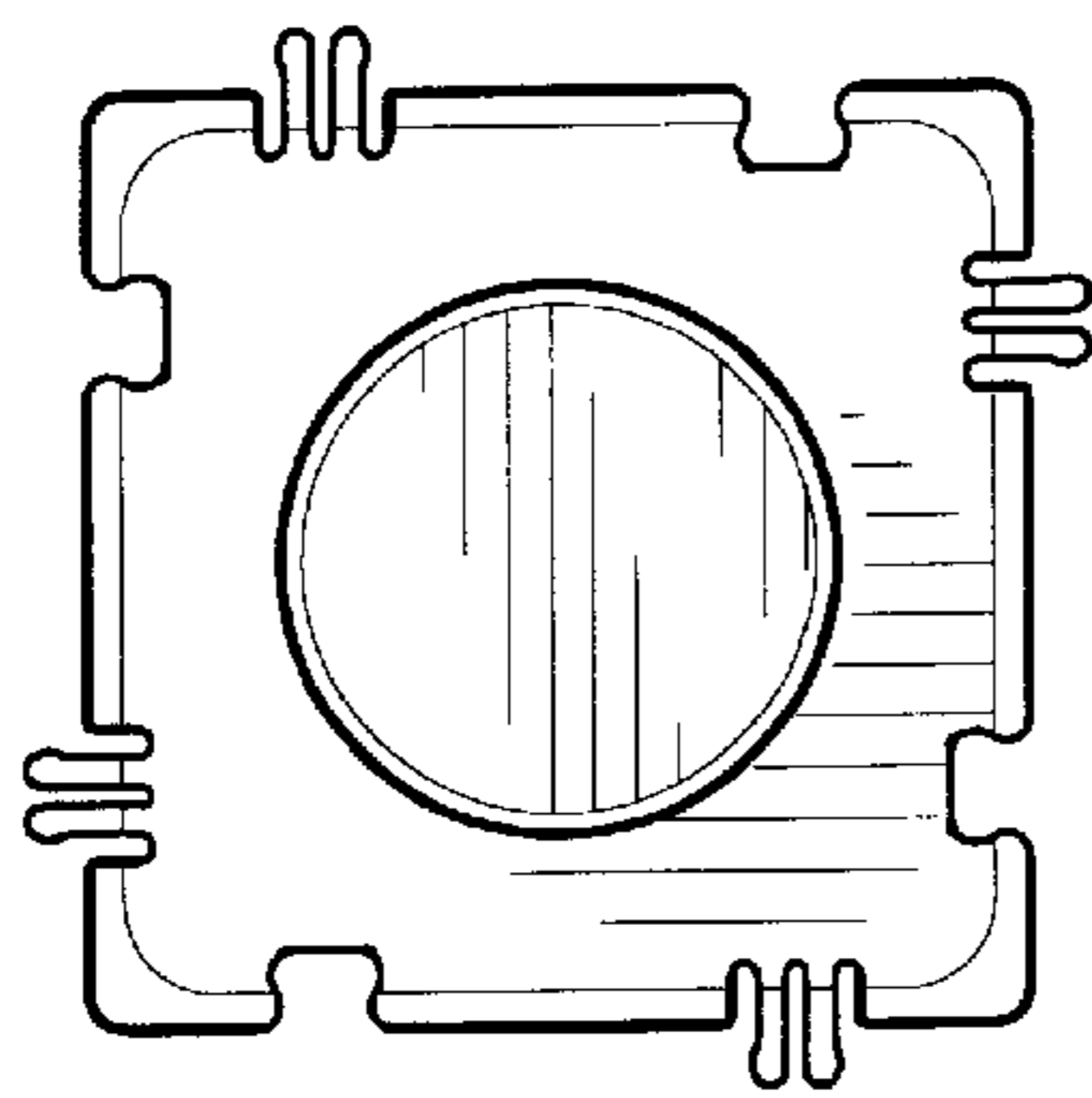


FIG. 3

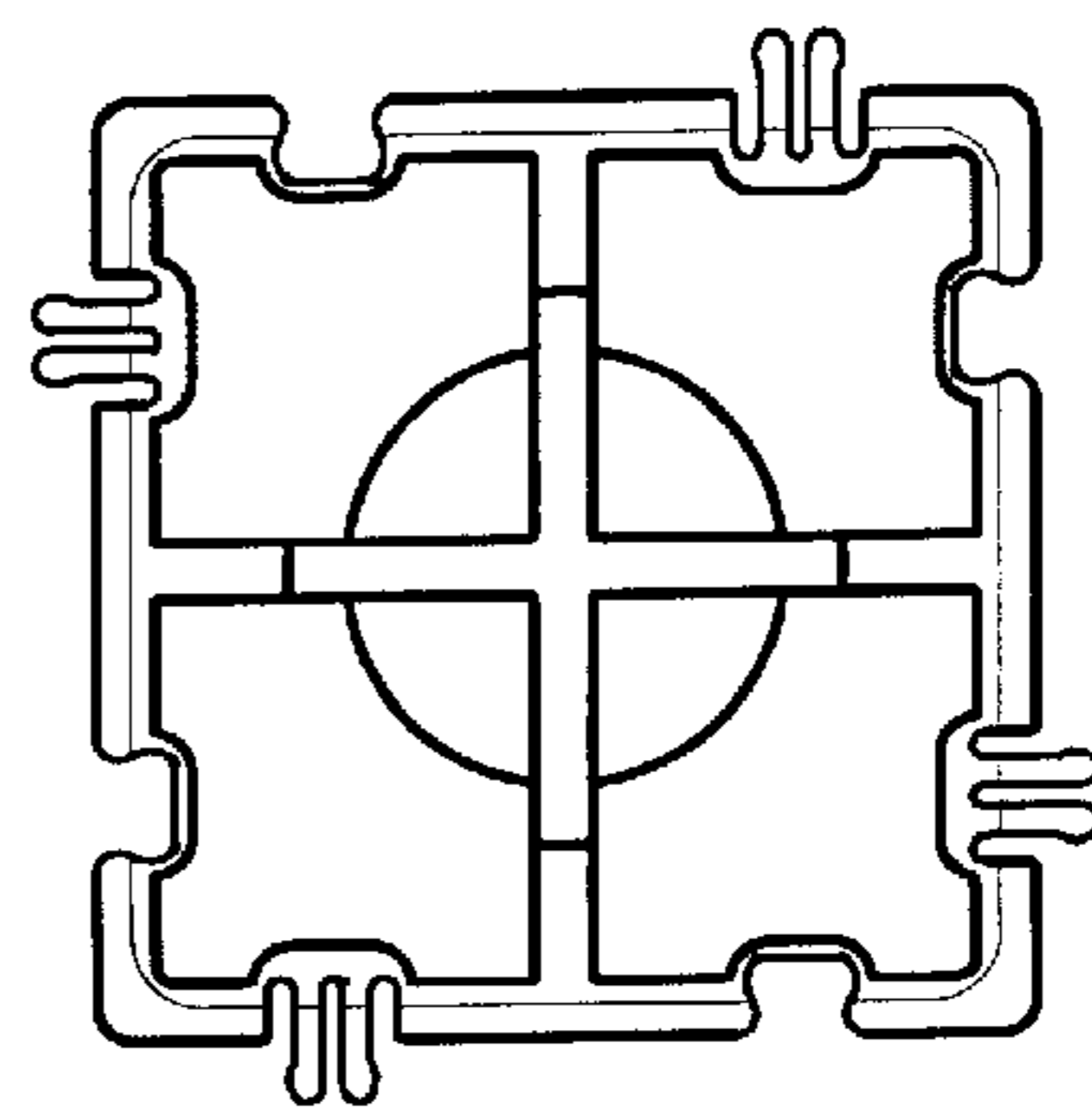


FIG. 4