



US00D435607S

# United States Patent [19] Chesler

[11] **Patent Number: Des. 435,607**

[45] **Date of Patent: \*\* Dec. 26, 2000**

[54] **MAGNETIC WHEEL SPIRAL TOY**

2,198,075 4/1940 Borek ..... 273/109  
4,183,170 1/1980 Lytle ..... 446/170

[76] Inventor: **Mark Chesler**, 4535 Encino Ave.,  
Encino, Calif. 91316

*Primary Examiner*—Dominic Simone  
*Attorney, Agent, or Firm*—Martin & Ferraro, LLP

[\*\*] Term: **14 Years**

[57] **CLAIM**

[21] Appl. No.: **29/109,385**

The design for magnetic wheel spiral toy, substantially as shown and described.

[22] Filed: **Aug. 13, 1999**

**DESCRIPTION**

[51] **LOC (7) Cl.** ..... **21-01**

[52] **U.S. Cl.** ..... **D21/404; D21/456**

[58] **Field of Search** ..... D21/404, 455,  
D21/456, 459; 446/168, 170, 228, 233;  
273/109

FIG. 1 is a front elevation view of a magnetic wheel toy showing my new design, the rear elevation view being a mirror image, the magnetic wheel shown in broken lines for illustrative purposes only and forming no part of the claimed design;

[56] **References Cited**

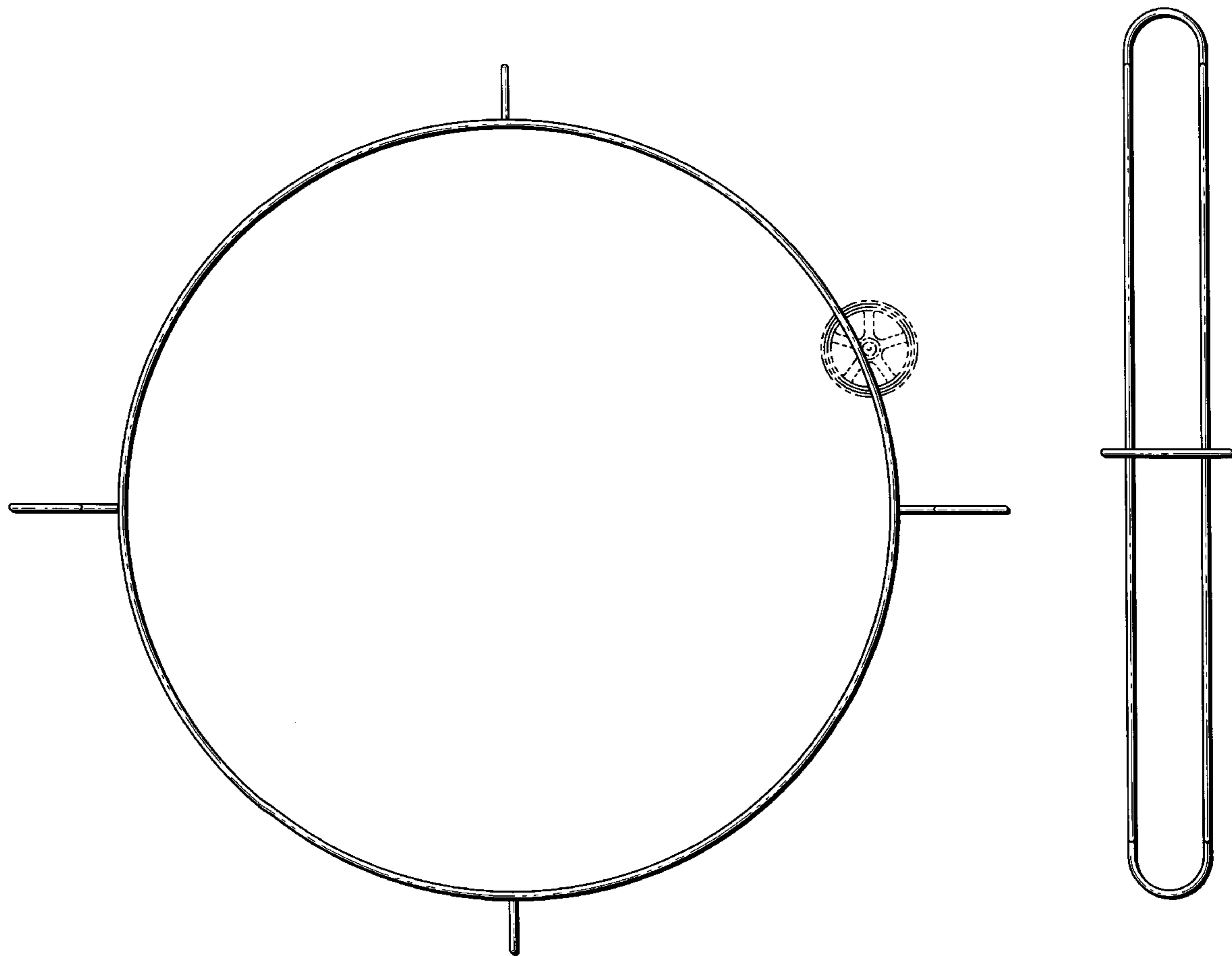
FIG. 2 is a right side elevation view with the left elevation view being a mirror image thereof; and,

**U.S. PATENT DOCUMENTS**

FIG. 3 is a top plan view with the bottom plan view being a mirror image thereof.

- D. 187,601 4/1960 Kaufman ..... D21/404
- D. 264,371 5/1982 Andrews ..... D21/404
- D. 391,307 2/1998 Kuo ..... D21/404
- 457,397 8/1891 Church ..... D21/459 X

**1 Claim, 2 Drawing Sheets**



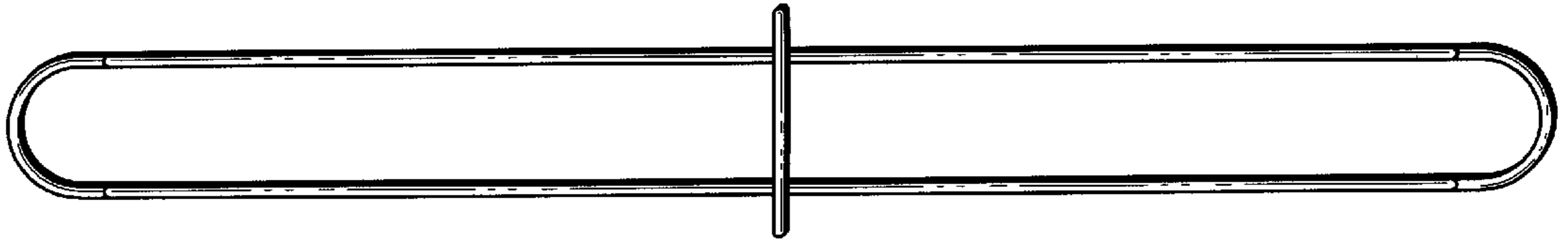


FIG. 2

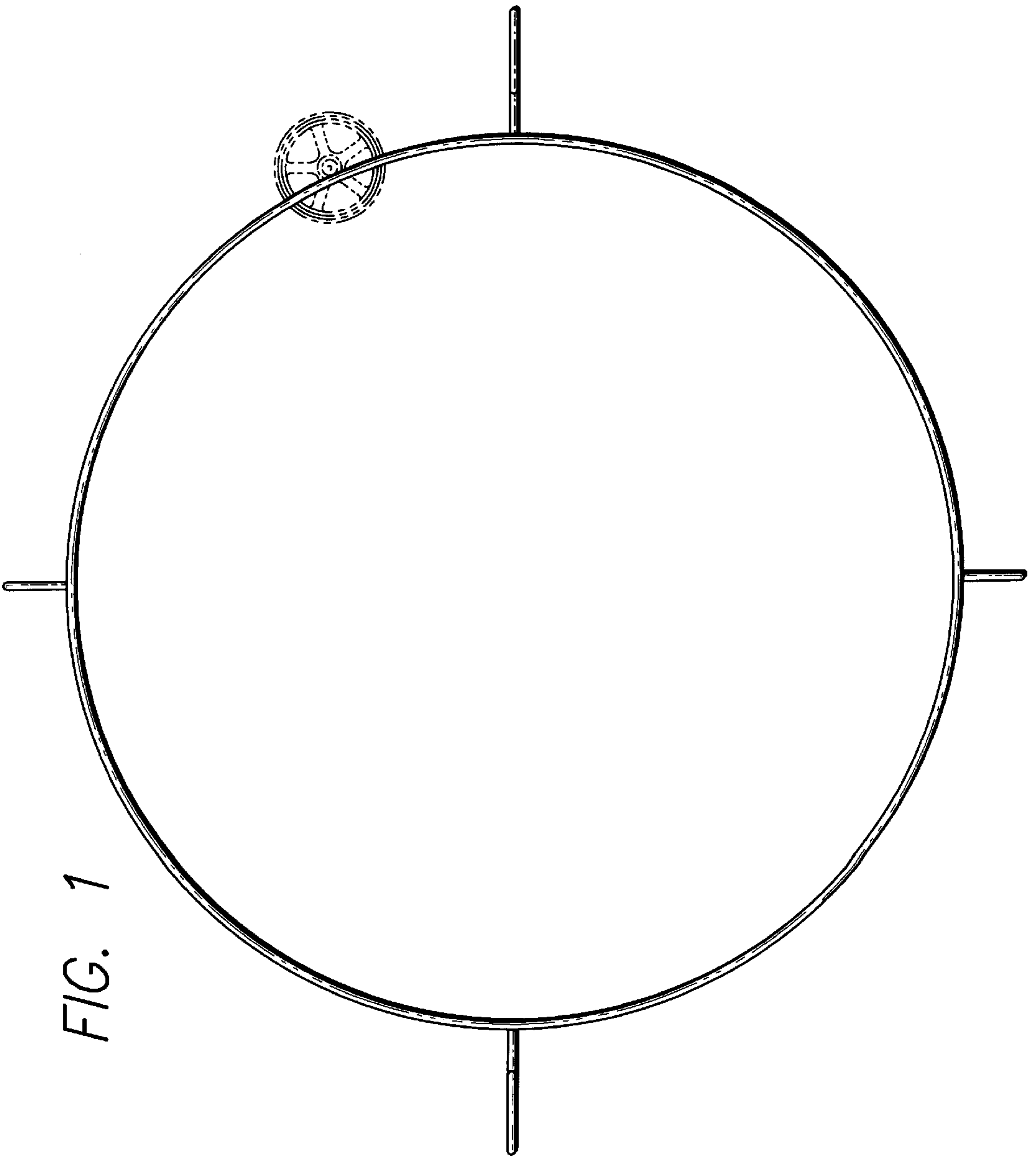


FIG. 1

FIG. 3

