



US00D435597S

United States Patent [19]

[11] Patent Number: **Des. 435,597**

Febish et al.

[45] Date of Patent: **** Dec. 26, 2000**

[54] VIDEO DISPLAY AND CATALOG SYSTEM

Attorney, Agent, or Firm—Klauber & Jackson

[75] Inventors: **George Febish**, River Vale; **David E. Y. Sarna**, Teaneck, both of N.J.

[57] CLAIM

The ornamental design for a video display and catalog system, as shown and described.

[73] Assignee: **ObjectSoft, Corporation**, Hackensack, N.J.

DESCRIPTION

[**] Term: **14 Years**

FIG. 1 is a front right-hand elevational perspective view showing the video display and catalog system of our new design;

[21] Appl. No.: **29/122,801**

FIG. 2 is a left side view thereof;

[22] Filed: **May 4, 2000**

FIG. 3 is a front view thereof;

[51] LOC (7) Cl. **19-08**

FIG. 4 is a top view thereof;

[52] U.S. Cl. **D20/10**

FIG. 5 is a front right-hand elevational perspective view of the video display and catalog system of FIG. 1, with the interactive display component of our new design shown in isolation;

[58] Field of Search D20/10, 39, 40, D20/99; D14/101, 107, 140, 142; 40/584, 624; 235/382, 382.5

FIG. 6 is a side view of the design shown in FIG. 5;

[56] References Cited

U.S. PATENT DOCUMENTS

D. 412,233	7/1999	Cajacob et al.	D20/10
D. 420,487	2/2000	Swaine	D20/10
D. 424,575	5/2000	Wilson	D20/10
D. 425,875	5/2000	Wilson	D20/10

FIG. 7 is a front view of the design shown in FIG. 5;

FIG. 8 is a top view of the design shown in FIG. 5;

FIG. 9 is a front right-hand elevational perspective view of the outer housing of the video display and catalog system of FIG. 1, with the interactive display removed therefrom; and,

FIG. 10 is a left-side view of the design of FIG. 9, the right-side view thereof being a mirror image thereof.

Primary Examiner—Marcus A. Jackson

1 Claim, 9 Drawing Sheets

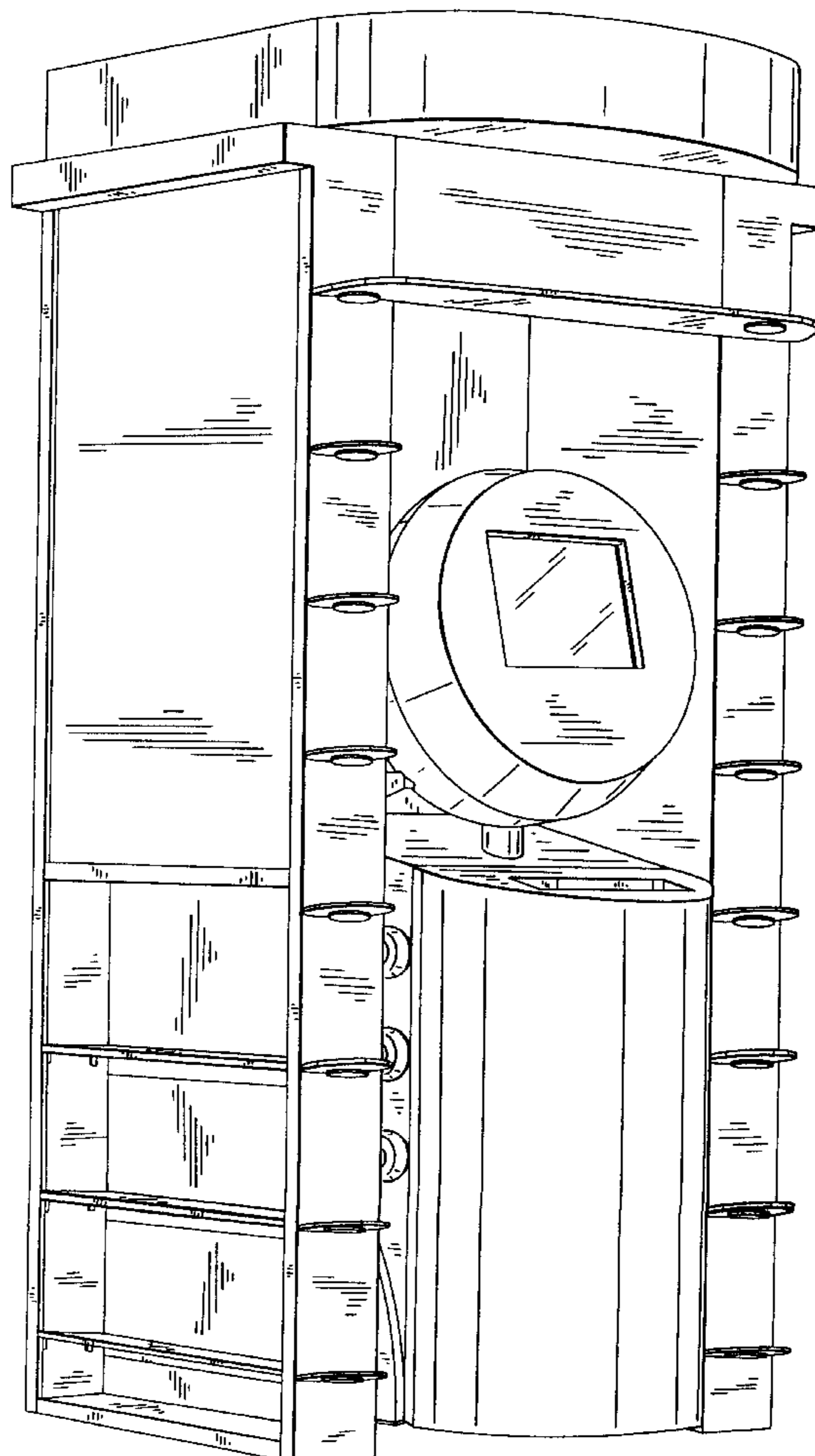


FIG. 1

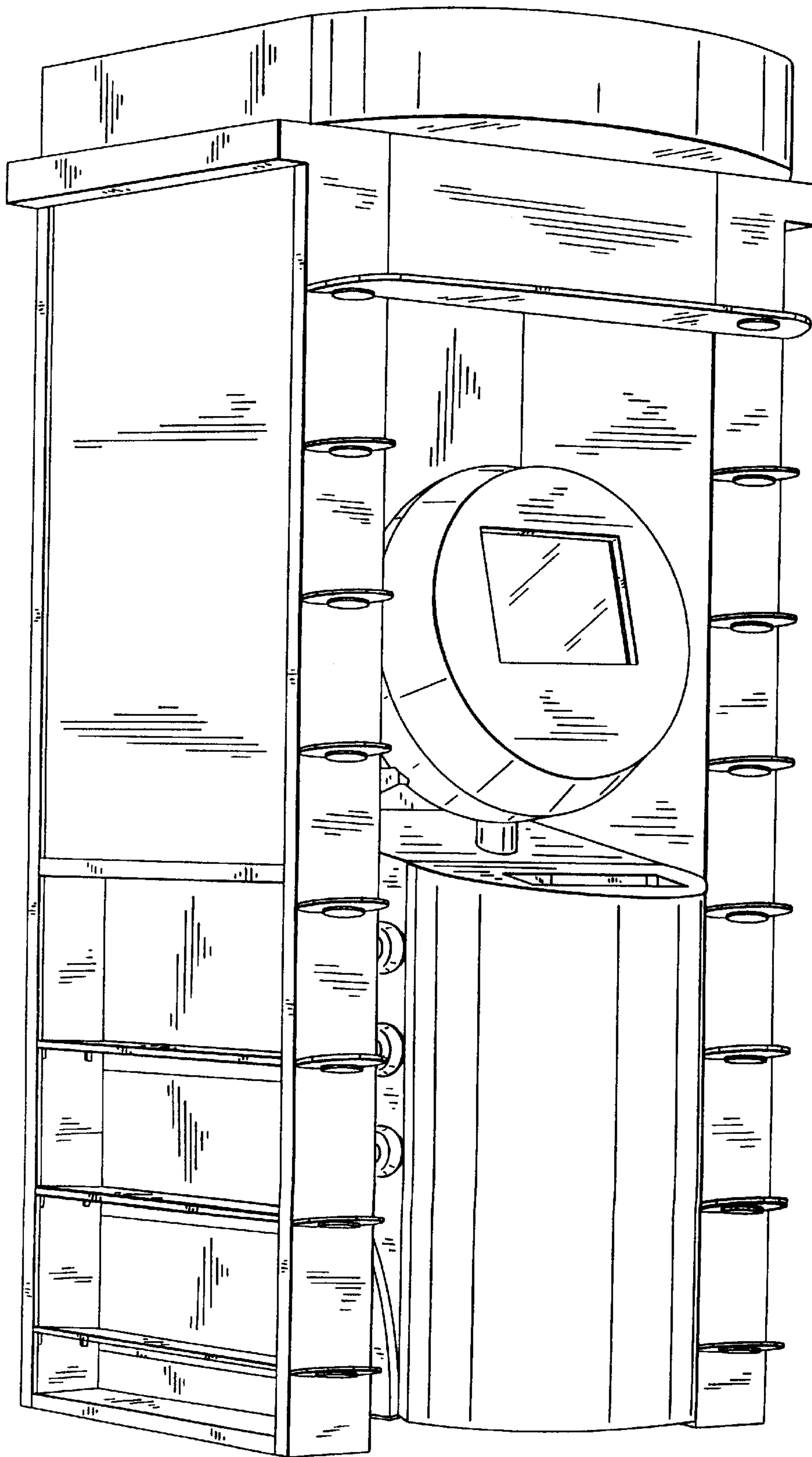


FIG. 2

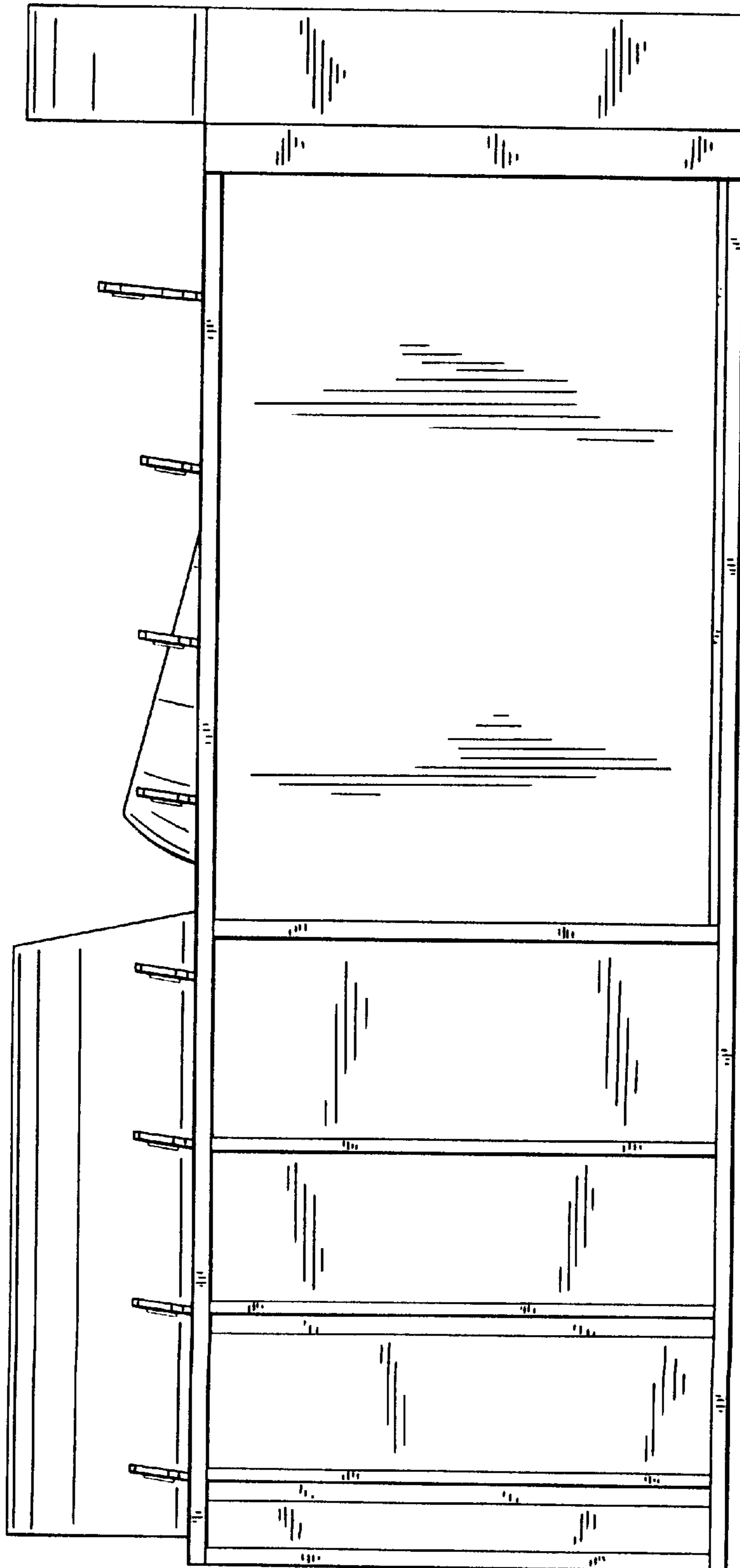


FIG. 3

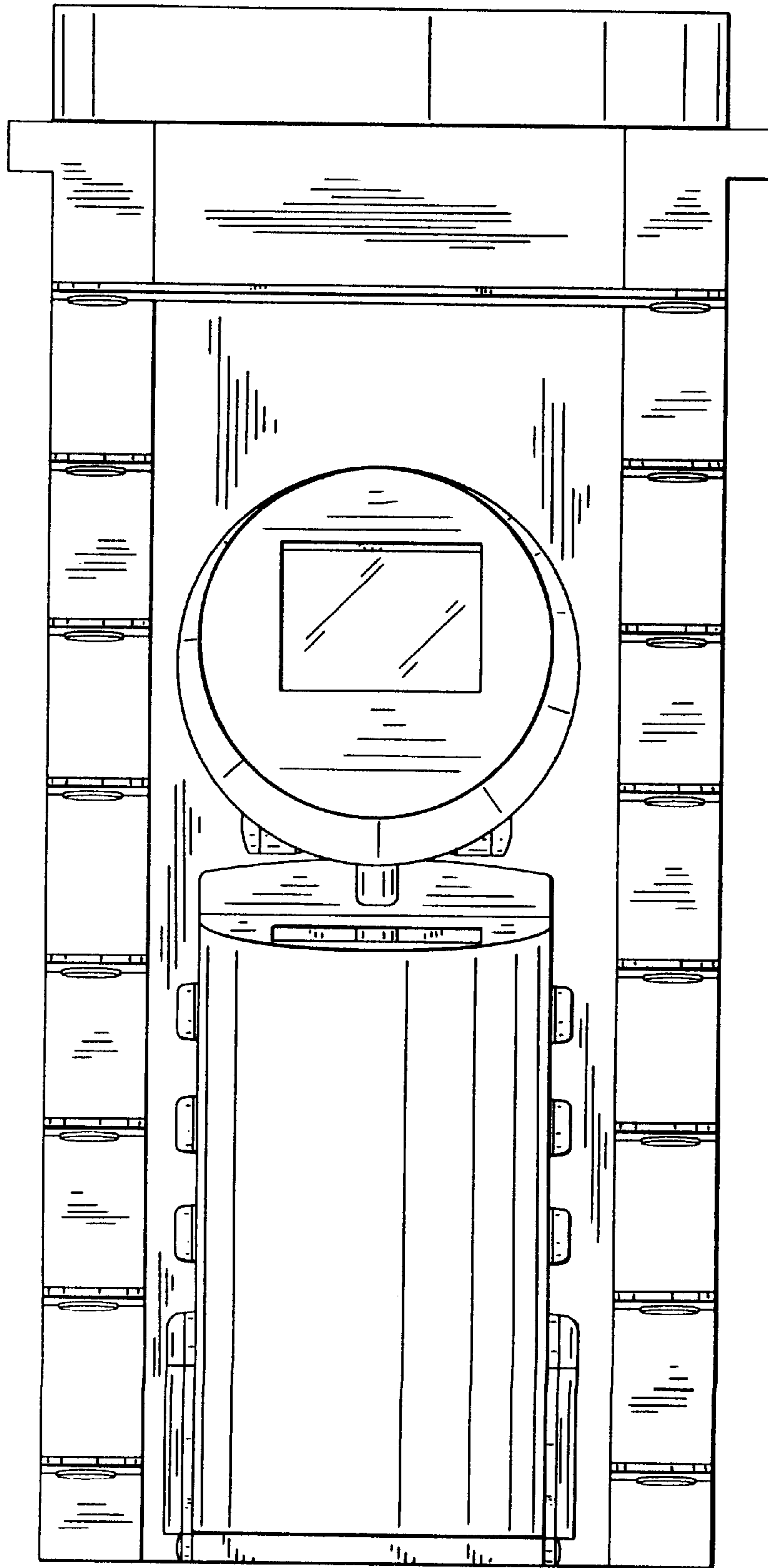


FIG. 4

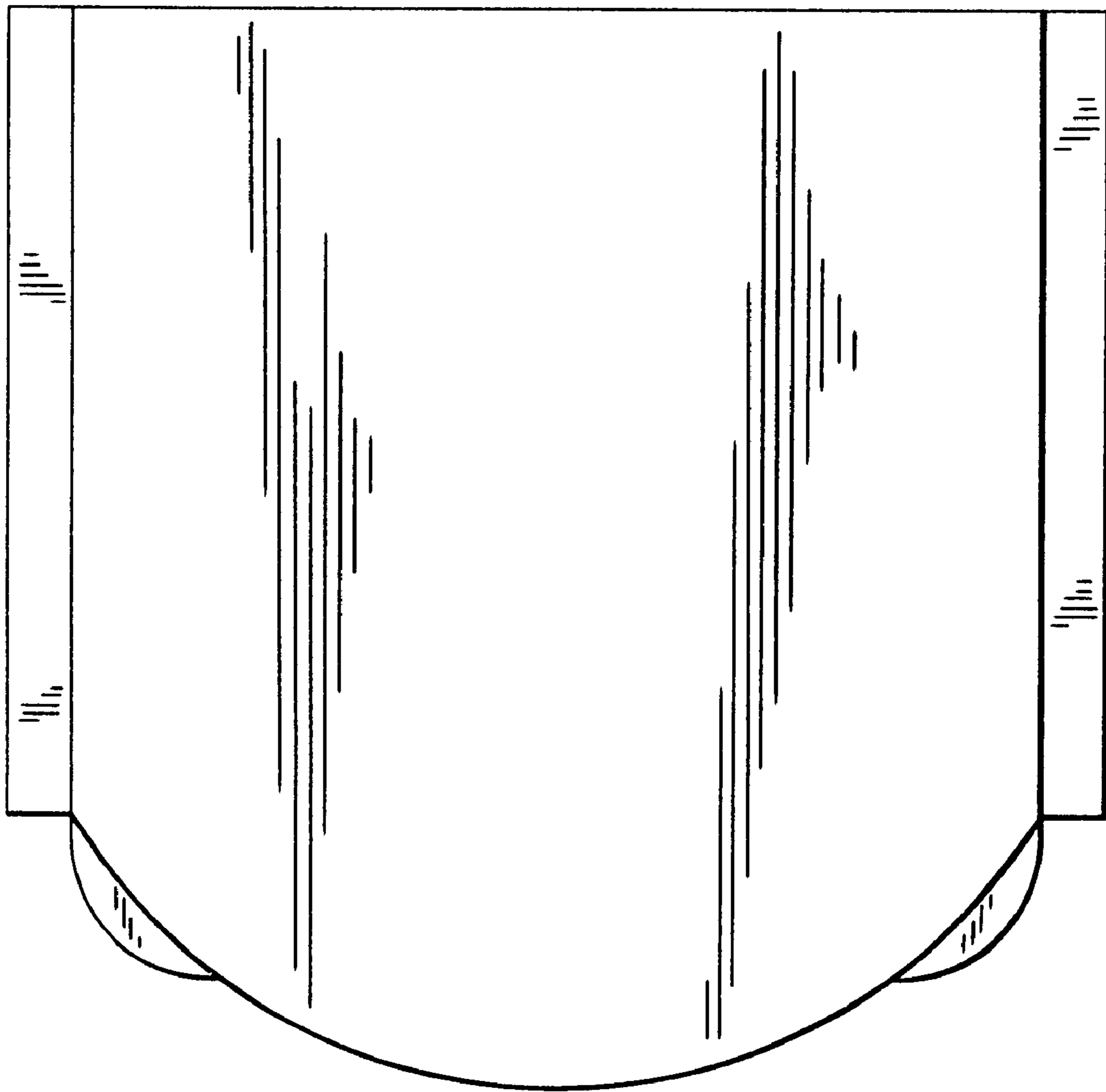


FIG. 5

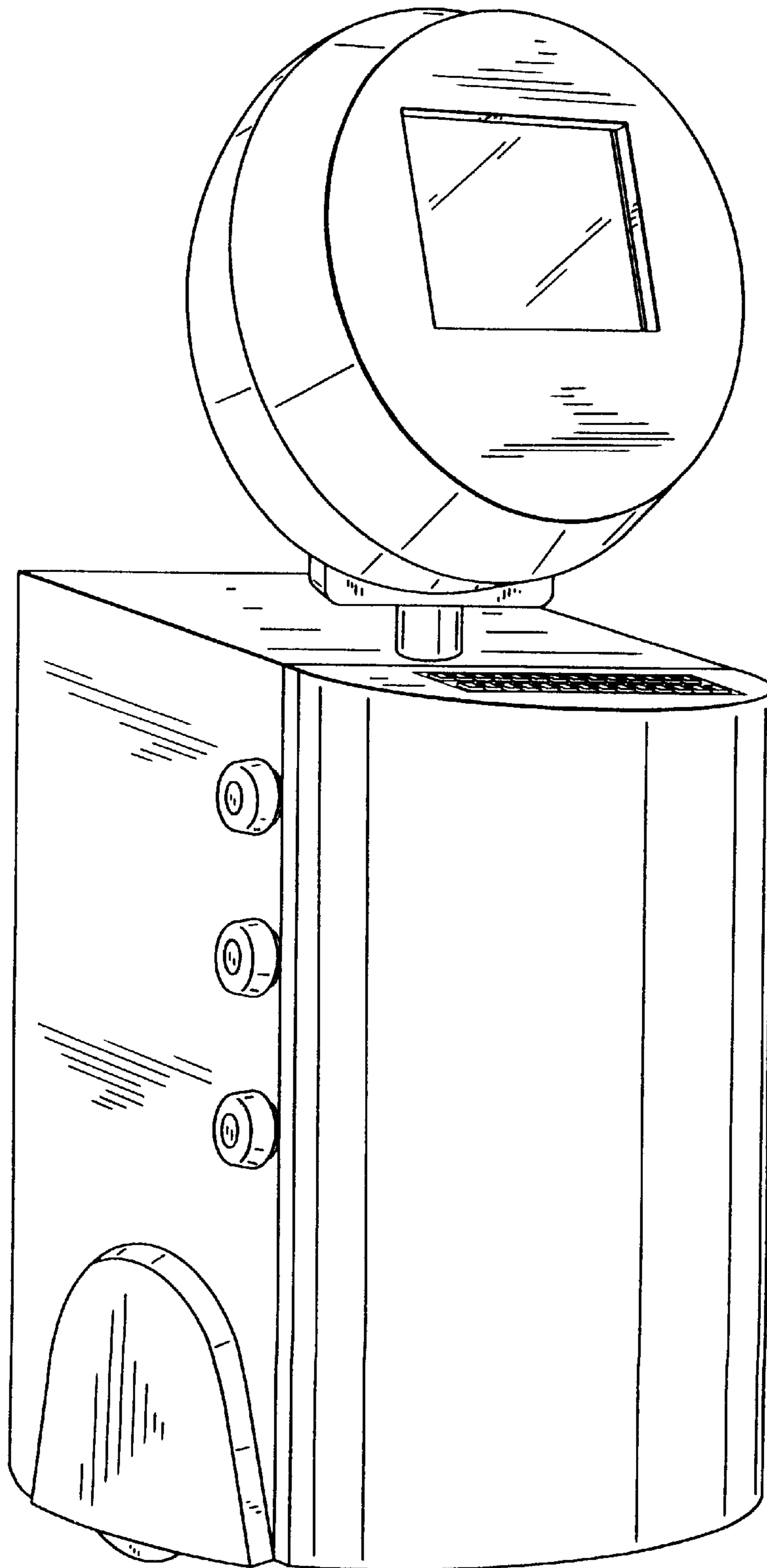


FIG. 6

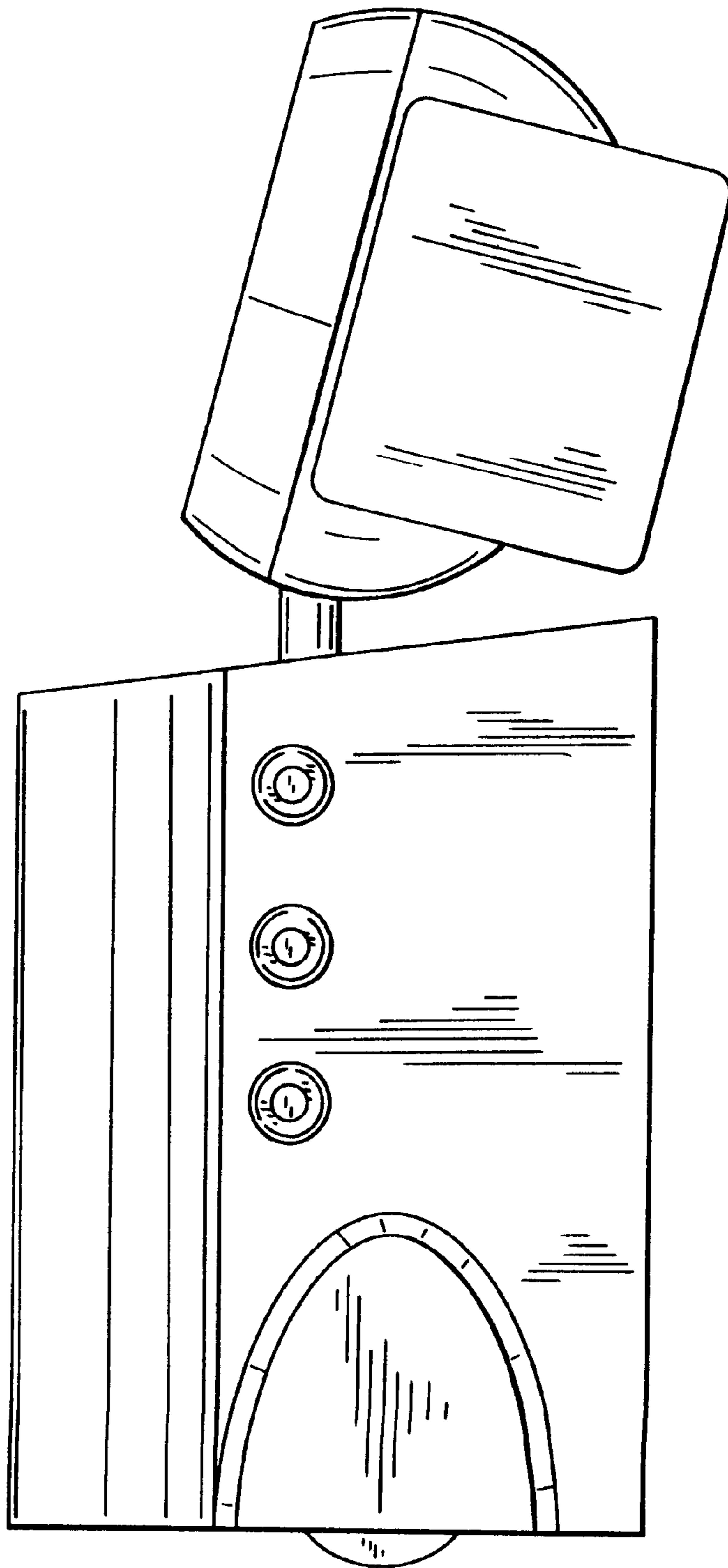


FIG. 7

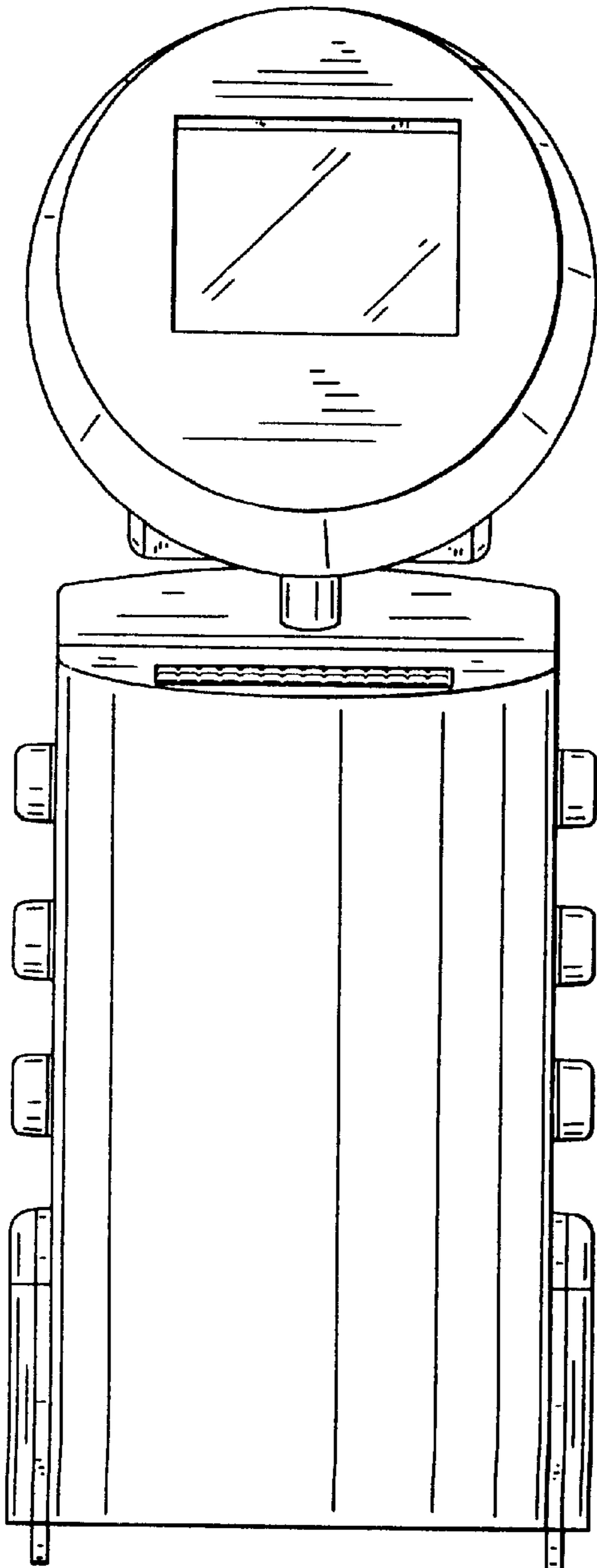


FIG. 8

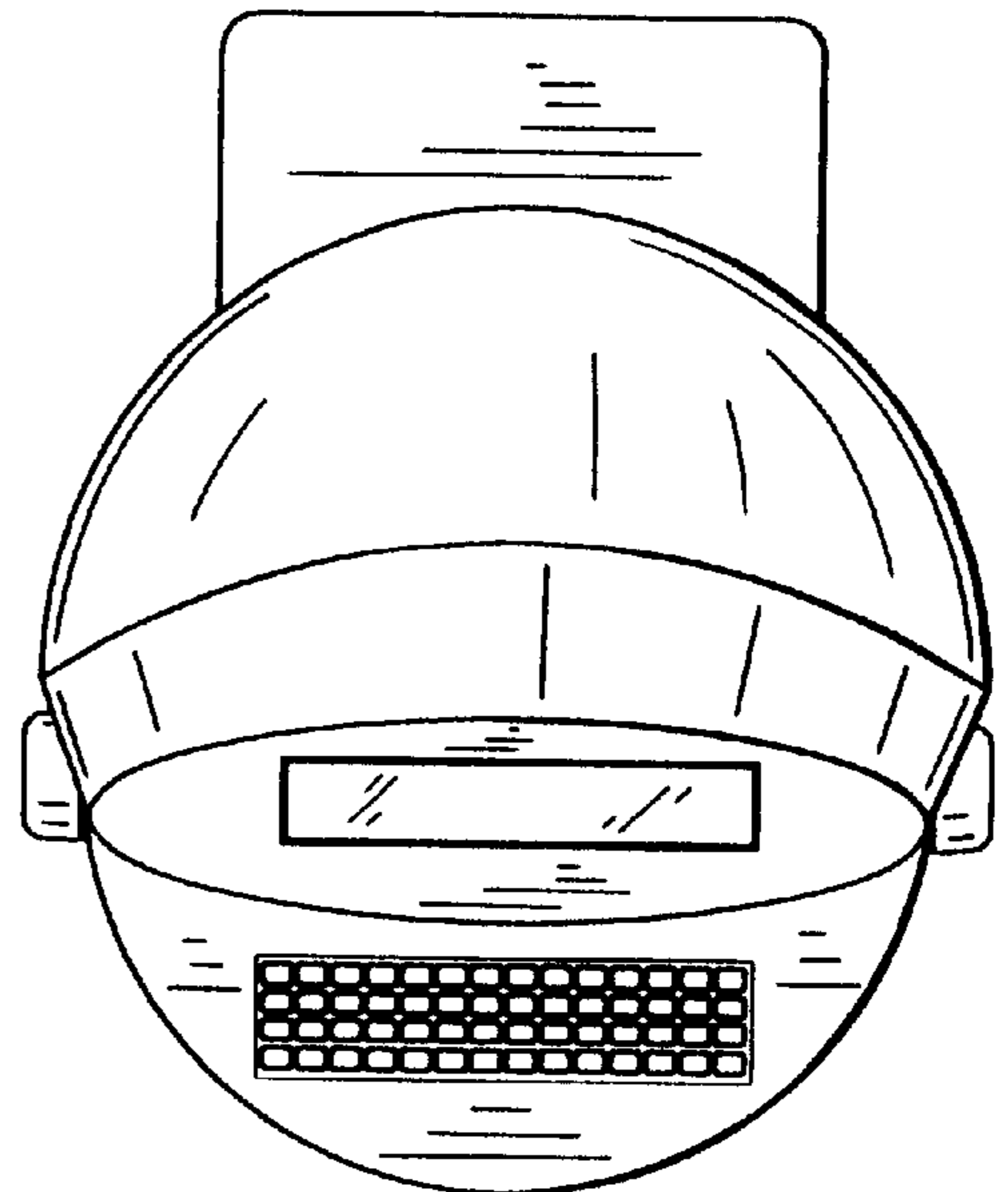


FIG. 9

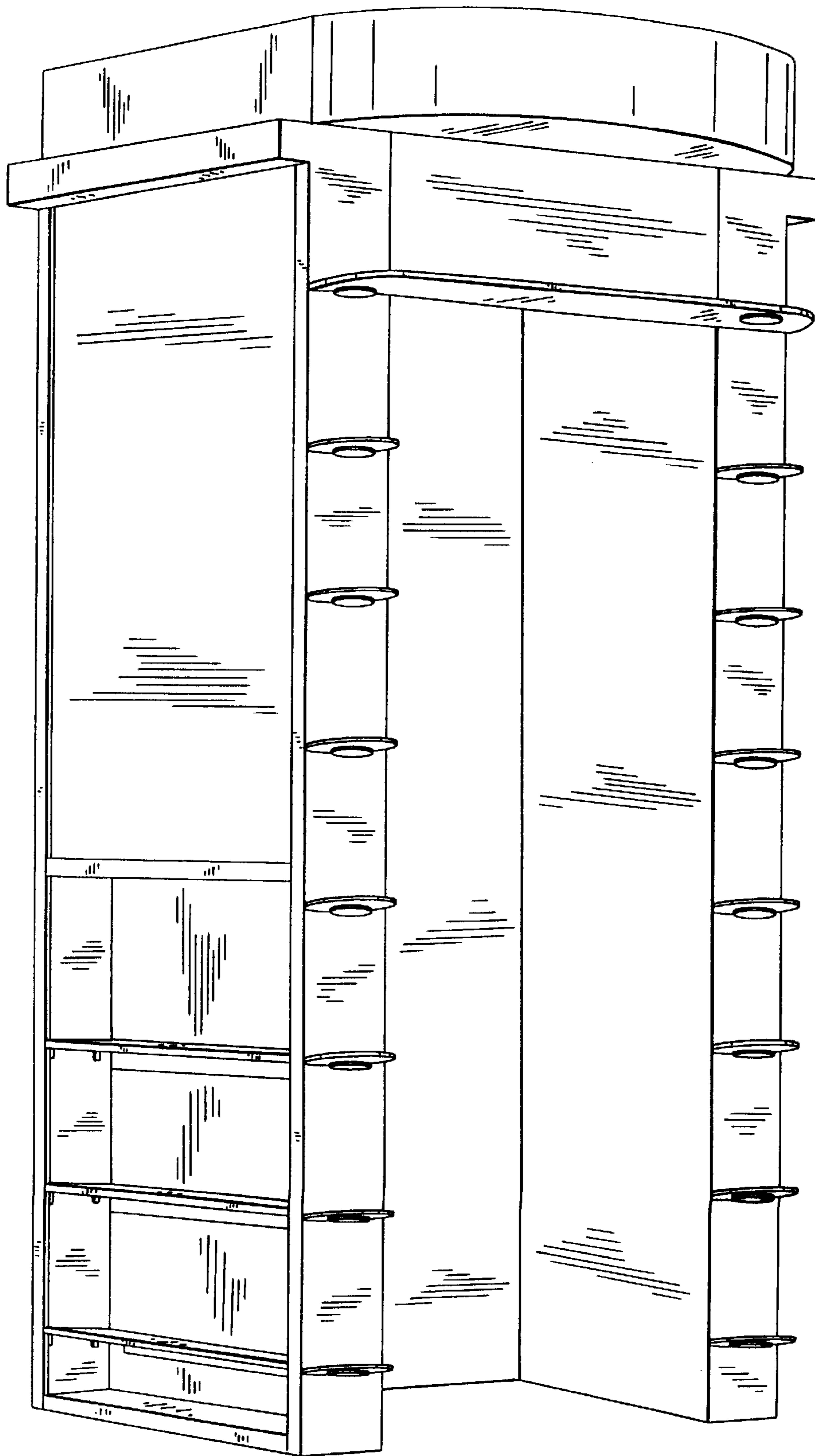


FIG. 10

