



US00D435593S

United States Patent [19]

[11] **Patent Number: Des. 435,593**

Hellwig et al.

[45] **Date of Patent: ** Dec. 26, 2000**

[54] **DISPLAY BOARD**

[75] Inventors: **John Hellwig**, Toronto; **Steven Verbeek**, Aurora, both of Canada; **Thomas M. Edwards**, Spring Lake; **Errol Stafford Pearsons**, Grand Haven, both of Mich.

D. 210,946	5/1968	Cook	D19/52
D. 413,146	8/1999	Moore	D19/52
2,109,723	3/1938	Gandrud	434/408
3,034,230	5/1962	Windram	434/408
5,131,849	7/1992	Perrero	434/408 X
5,163,845	11/1992	Blassingame	434/408

[73] Assignee: **Teknion Furniture Systems Limited**, Downsview, Canada

Primary Examiner—Martie K. Holtje
Attorney, Agent, or Firm—Bereskin & Parr

[**] Term: **14 Years**

[57] **CLAIM**

[21] Appl. No.: **29/109,226**

The ornamental design for a display board, as shown and described.

[22] Filed: **Aug. 13, 1999**

DESCRIPTION

[51] **LOC (7) Cl.** **19-06**

FIG. 1 is a perspective view from above and to one end of the display board in accordance with our Design; FIG. 2 is an end elevational view from the right in FIG. 1; FIG. 3 is a top plan view; FIG. 4 is a bottom plan view; FIG. 5 is a front elevational view; FIG. 6 is an end elevational view from the left in FIG. 1; and, FIG. 7 is a rear elevational view.

[52] **U.S. Cl.** **D19/52; D19/83**

[58] **Field of Search** D19/35, 36, 52, D19/65, 81-85, 99, 100; D6/574; 281/45, 51; 248/441.1, 452; 434/408, 415, 417, 418, 421, 430; D20/42, 43; 40/124.01, 124.06

The display board has been shown broken away in FIGS. 1, 3, 4, 5 and 7 for the purpose of indicating indeterminate width.

[56] **References Cited**

U.S. PATENT DOCUMENTS

D. 165,038 10/1951 Windhorst D19/52

1 Claim, 2 Drawing Sheets

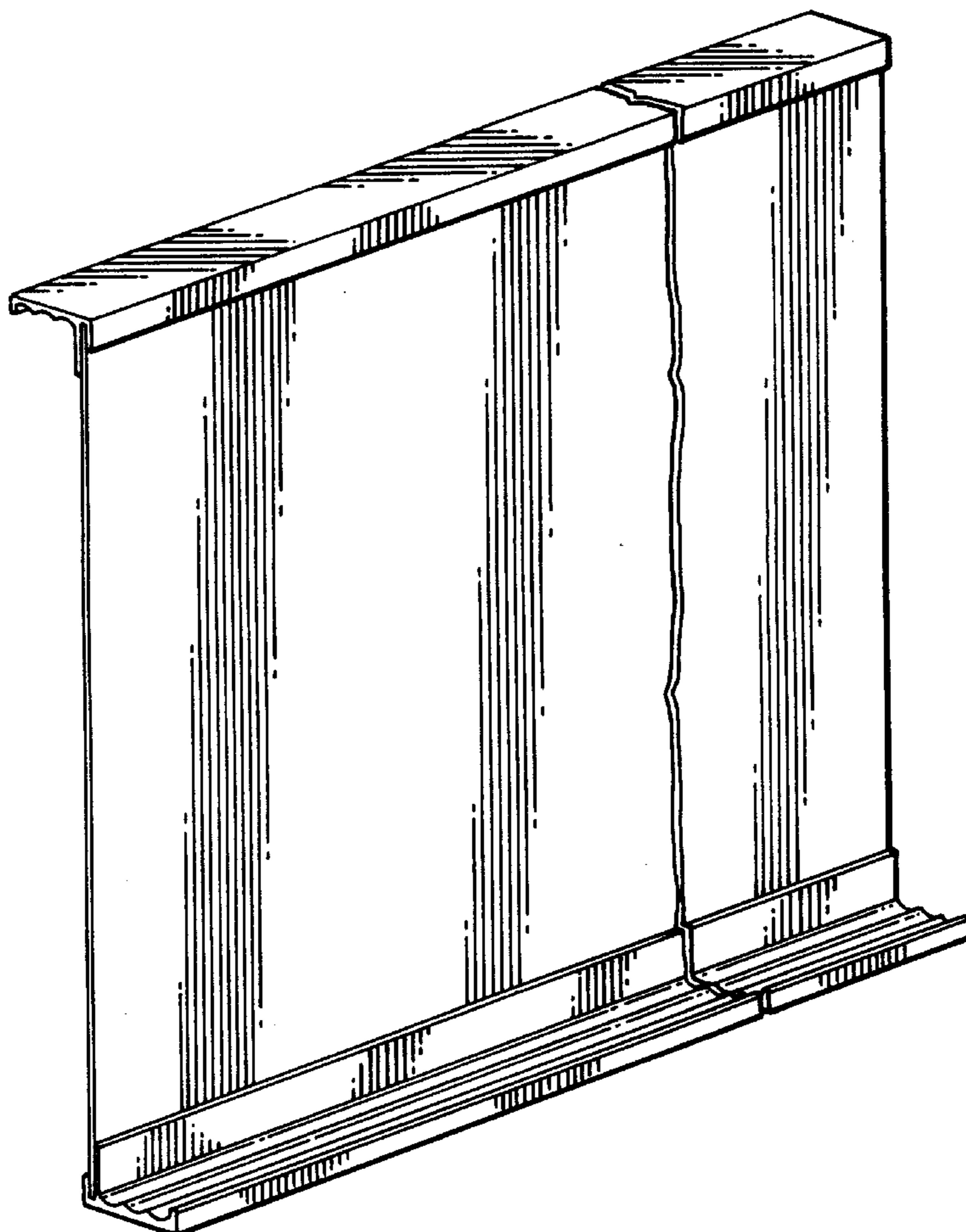


FIG. 1.

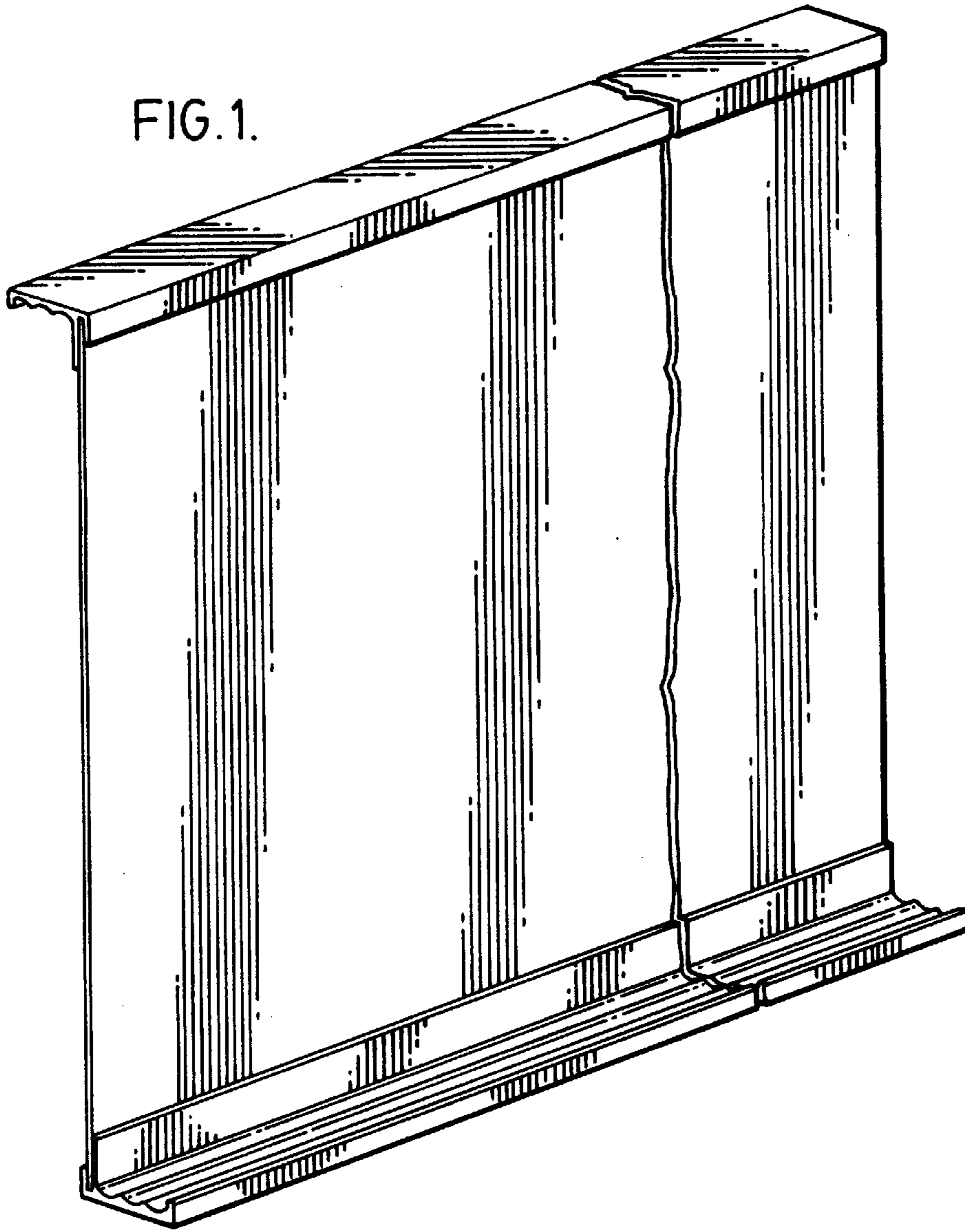


FIG. 2.

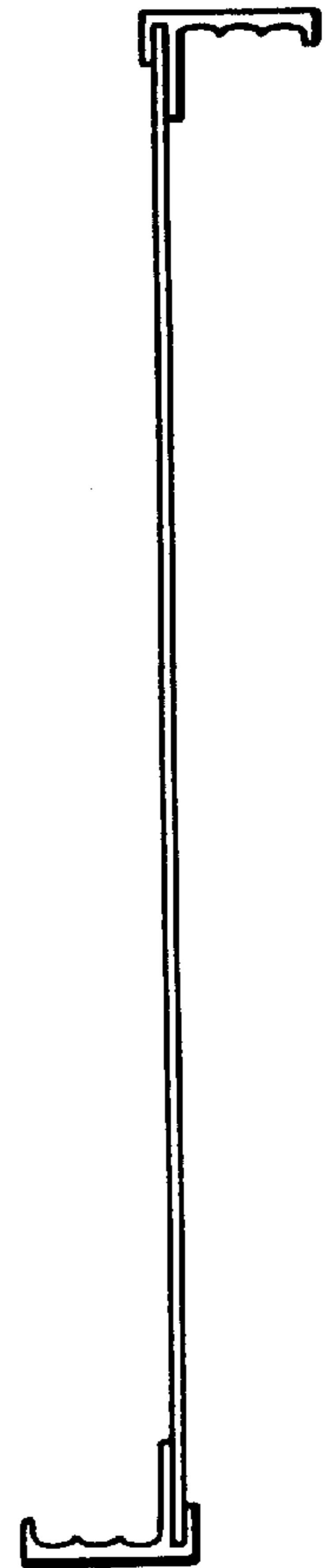


FIG. 3.

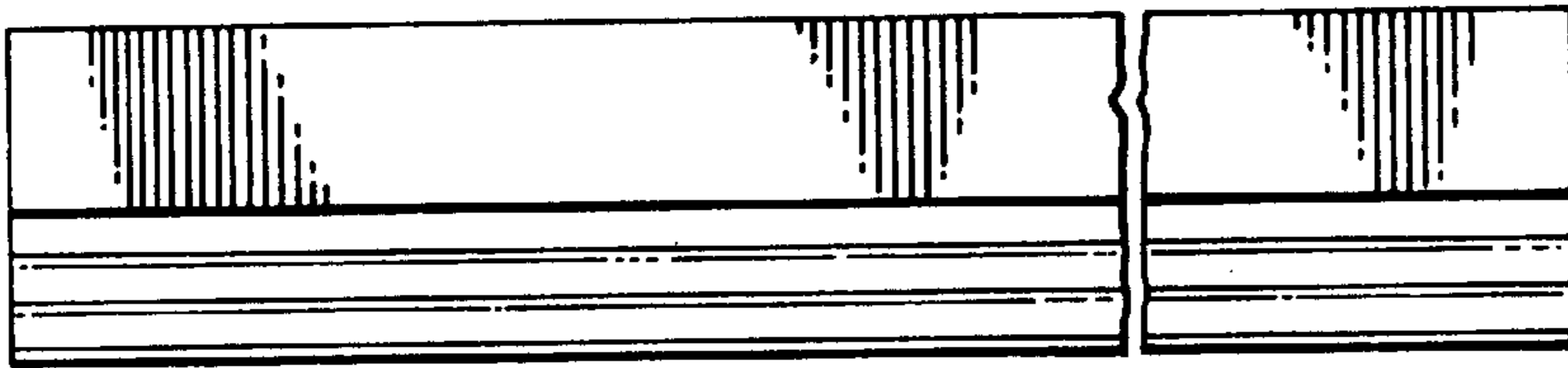
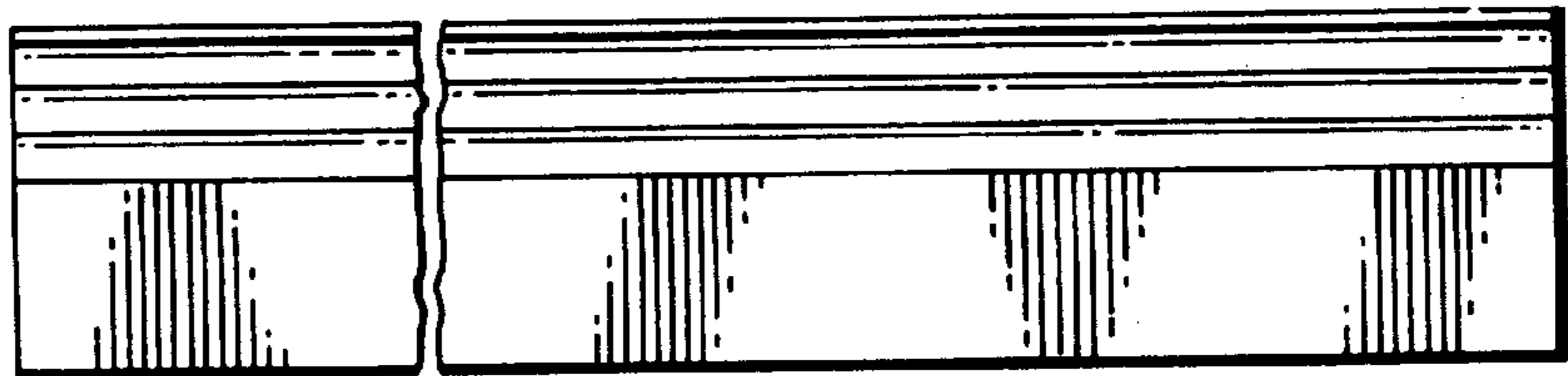


FIG. 4.



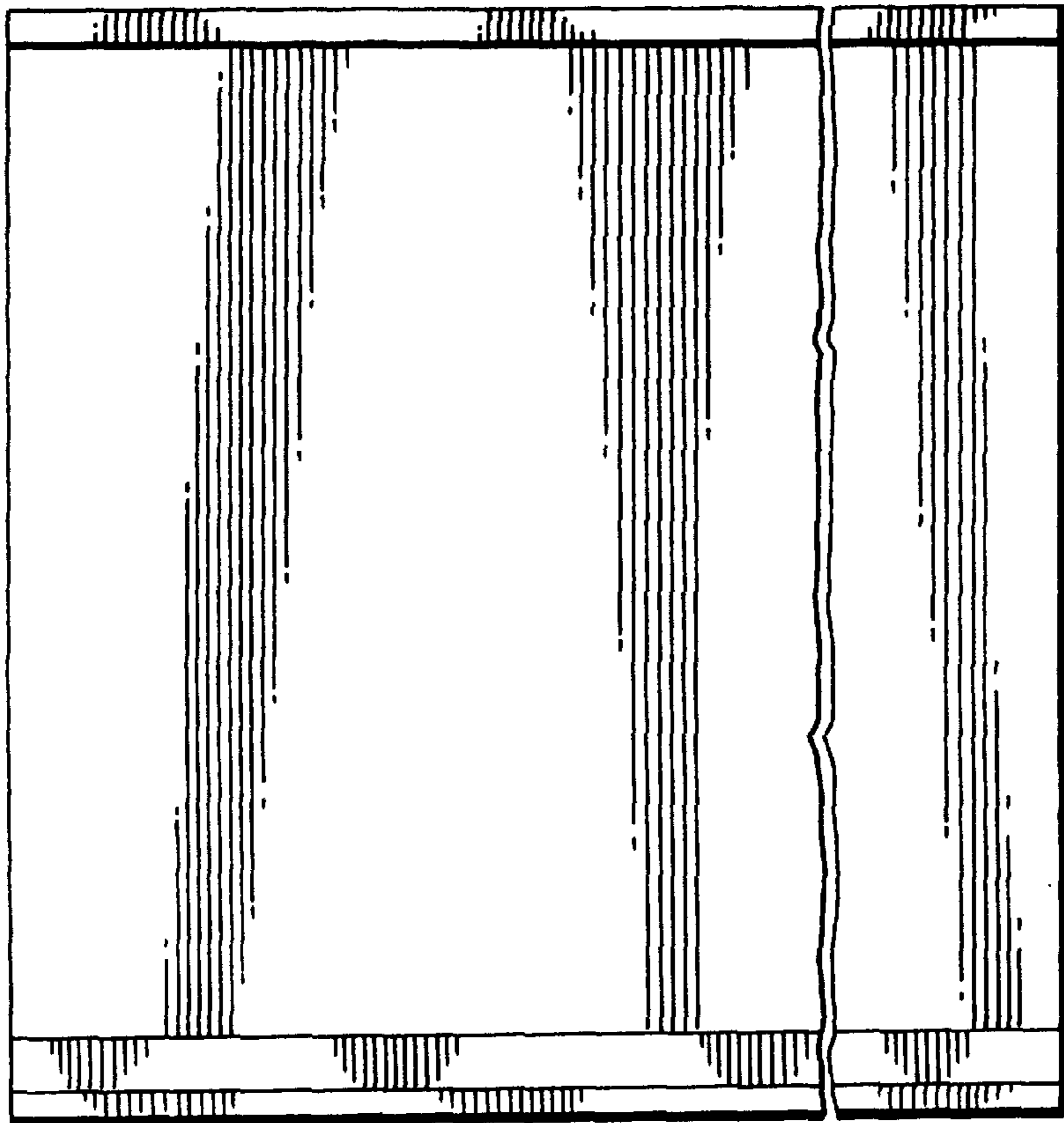


FIG. 5.

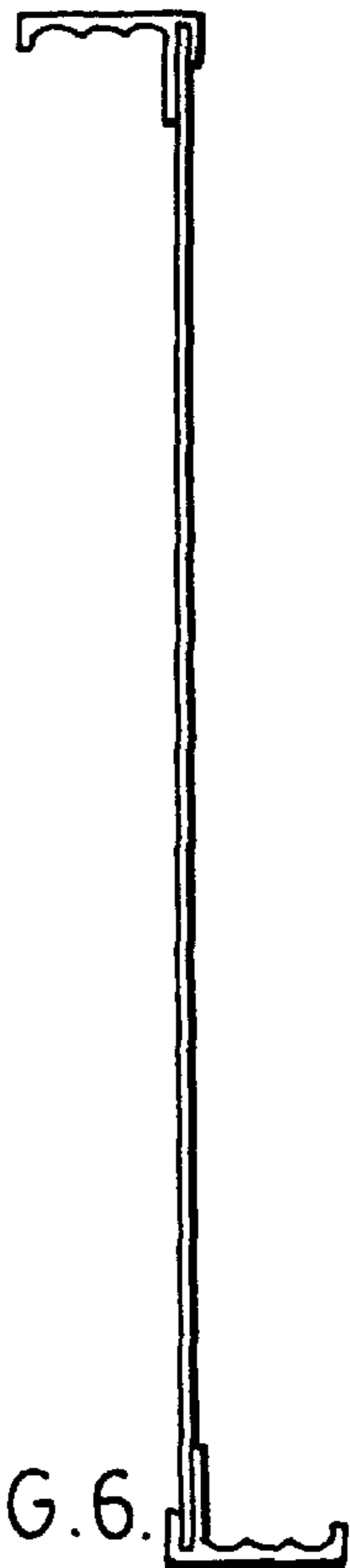


FIG. 6.

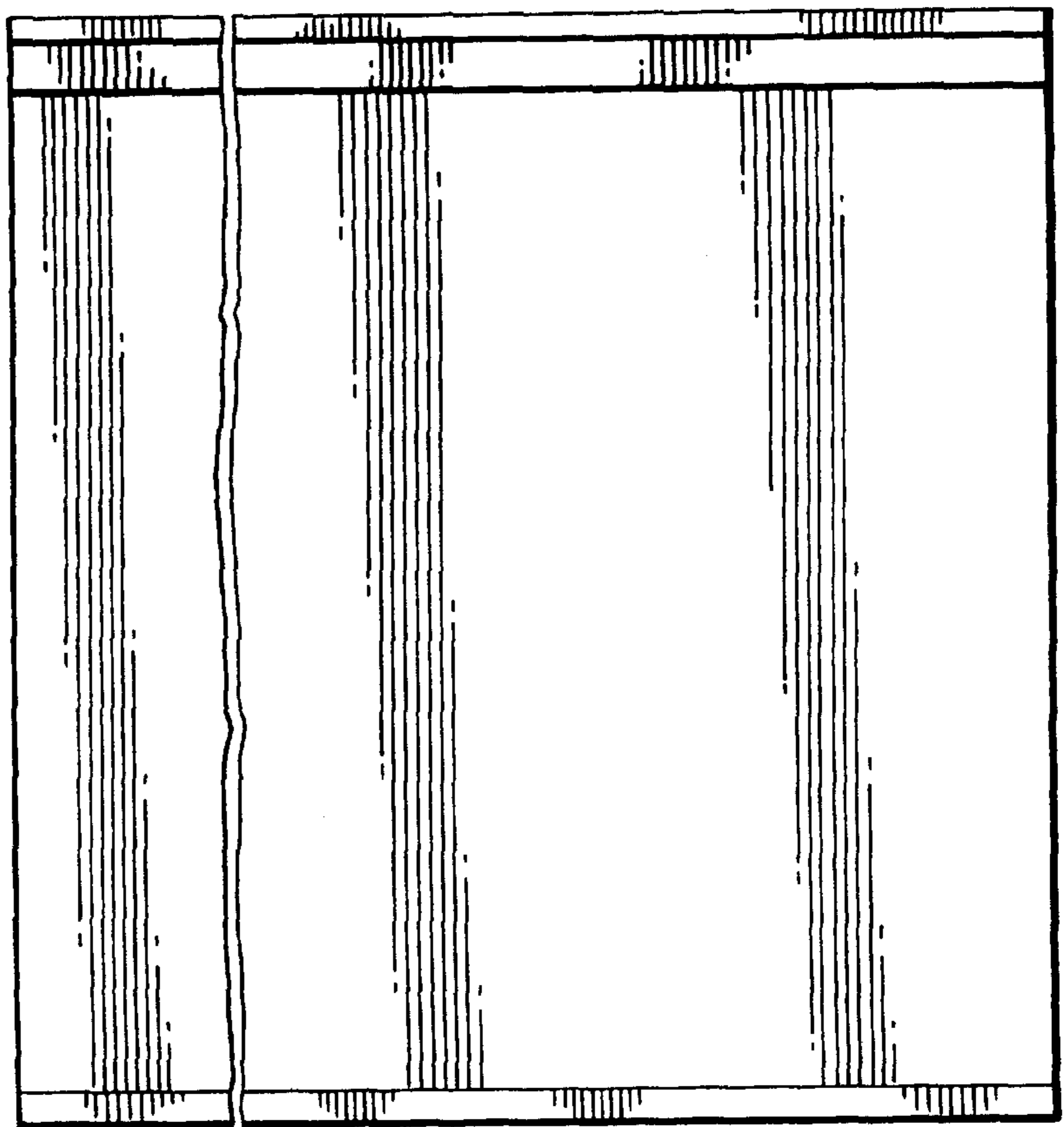


FIG. 7.