



US00D435589S

United States Patent [19] Huss

[11] Patent Number: Des. 435,589

[45] Date of Patent: ** Dec. 26, 2000

[54] TAPE SUPPLY CARTRIDGE

[76] Inventor: James F. Huss, 7313 E. Pierce St.,
Scottsdale, Ariz. 85257

[**] Term: 14 Years

[21] Appl. No.: 29/108,978

[22] Filed: Aug. 6, 1999

[51] LOC (7) Cl. 18-02

[52] U.S. Cl. D18/56

[58] Field of Search D18/56; 347/178;
400/207, 208, 120.02, 240.4

[56] **References Cited**

U.S. PATENT DOCUMENTS

D. 318,870	8/1991	Matsuoka	D18/56
D. 344,755	3/1994	Yamazaki	D18/56
D. 355,671	2/1995	Onumata	D18/56
D. 358,165	5/1995	Ehara	D18/56
D. 361,342	8/1995	Hattori et al.	D18/56
D. 372,044	7/1996	Ware et al.	D18/56
D. 372,269	7/1996	Miyazaki et al.	D18/56
D. 376,796	12/1996	Hirasawa	D18/56
D. 378,101	2/1997	Ito	D18/56
D. 403,353	12/1998	Uchiyama et al.	D18/56
4,280,767	7/1981	Heath	400/240.4
5,324,123	6/1994	Hattori	400/207
5,419,648	5/1995	Nagao et al.	400/208
5,435,658	7/1995	Hasegawa	400/208
5,500,669	3/1996	Yamashita et al.	400/208
5,619,244	4/1997	Manna	347/214
5,813,773	9/1998	Kawai	400/207

Primary Examiner—Cathy Anne MacCormac

Attorney, Agent, or Firm—Dorsey & Whitney LLP

[57] **CLAIM**

The ornamental design for a tape supply cartridge, as shown and described.

DESCRIPTION

FIG. 1 is a perspective view of a tape supply cartridge for use in a tape printer of the present invention showing the top, front and right side;

FIG. 2 is a front elevational view thereof;

FIG. 3 is a rear elevational rear view thereof;

FIG. 4 is a top plan view thereof;

FIG. 5 is a bottom plan view thereof;

FIG. 6 is a right side elevational view thereof;

FIG. 7 is a left side elevational view thereof;

FIG. 8 is a perspective view of a second embodiment of FIG. 1 showing the top, front and right side, this embodiment differs from the first embodiment in that this embodiment is a thinner cartridge embodying 1/2 inch tape, while the first embodiment is a thicker cartridge embodying 1 inch tape;

FIG. 9 is a front elevational view of FIG. 8;

FIG. 10 is a rear elevational view of FIG. 8;

FIG. 11 is a top plan view of FIG. 8;

FIG. 12 is a bottom plan view of FIG. 8;

FIG. 13 is a right side elevational view of FIG. 8;

FIG. 14 is a left side elevational view of FIG. 8;

FIG. 15 is a perspective view of a third embodiment of FIG. 1 showing the top, front and right side, a portion of the top and bottom surface is provided with a texture;

FIG. 16 is a top plan view of FIG. 15; and,

FIG. 17 is a bottom plan view of FIG. 15.

1 Claim, 7 Drawing Sheets

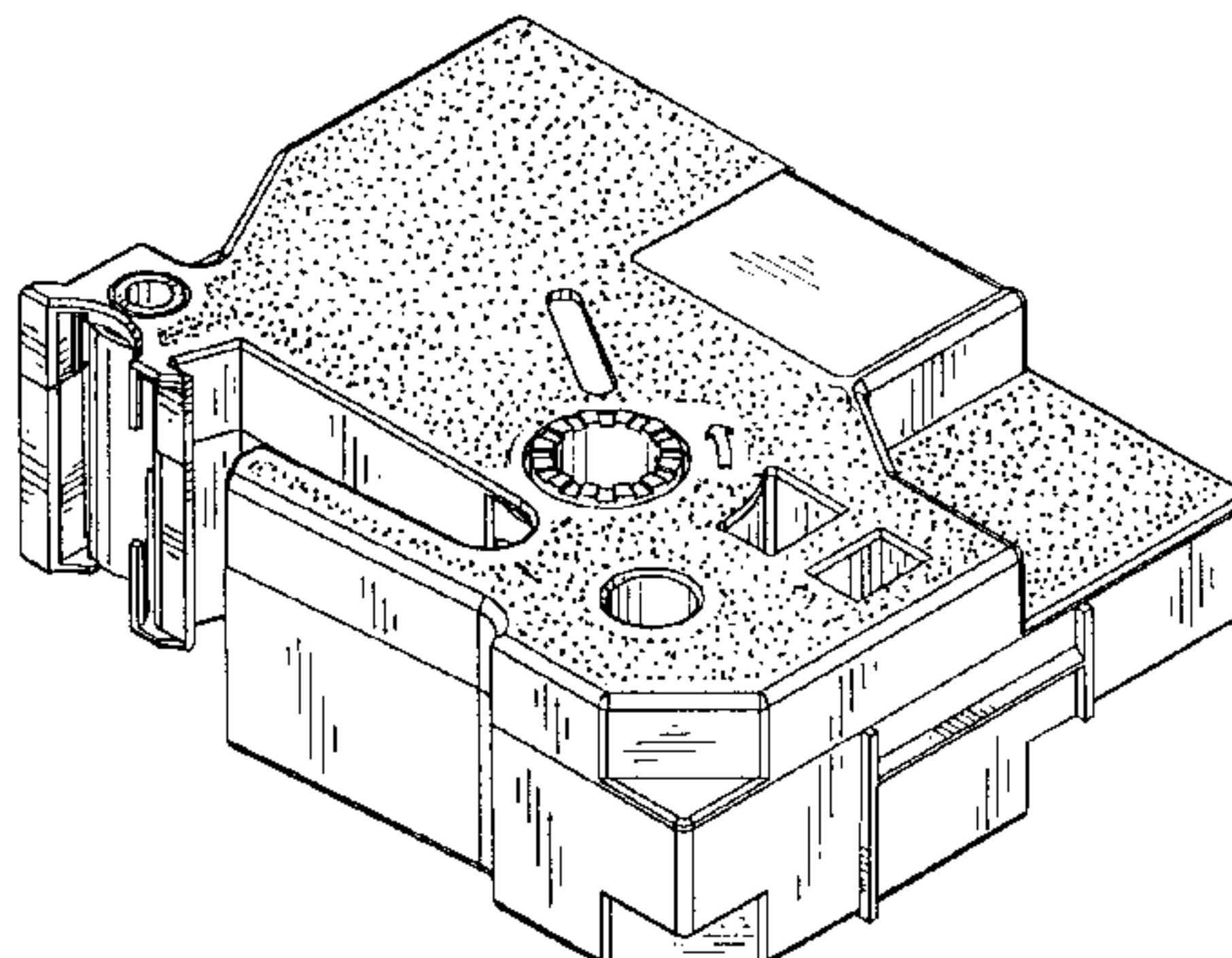
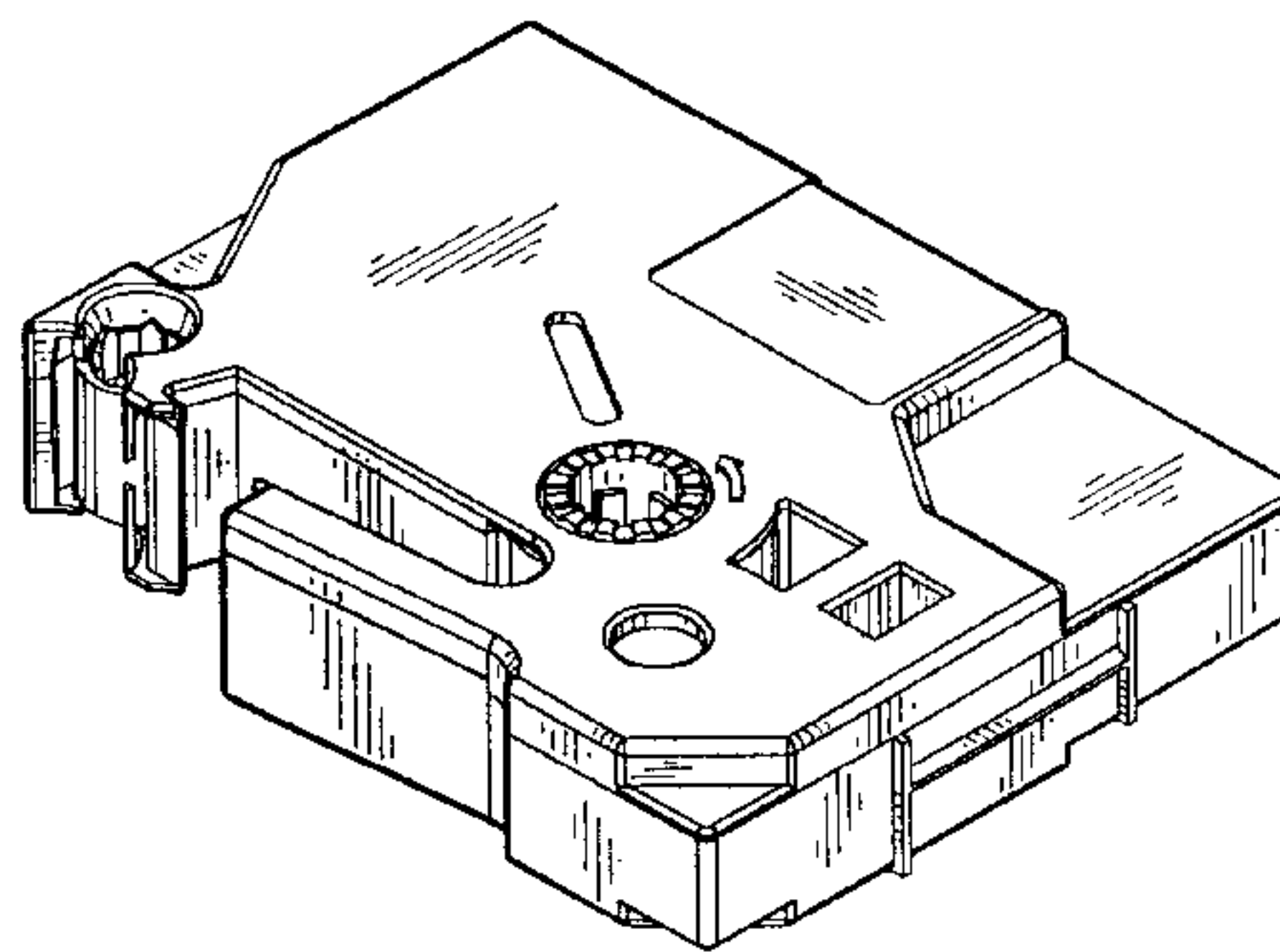
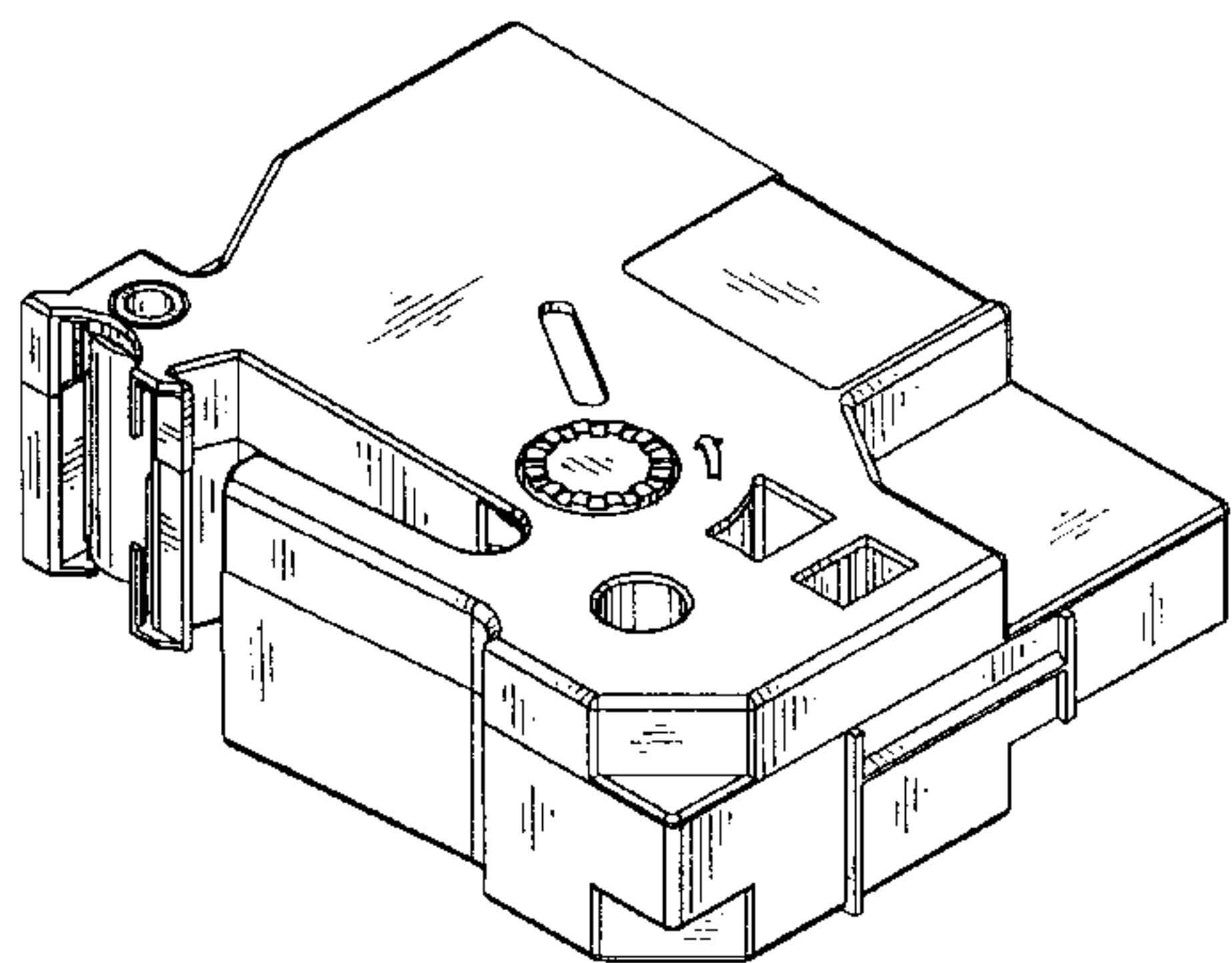


Fig. 1

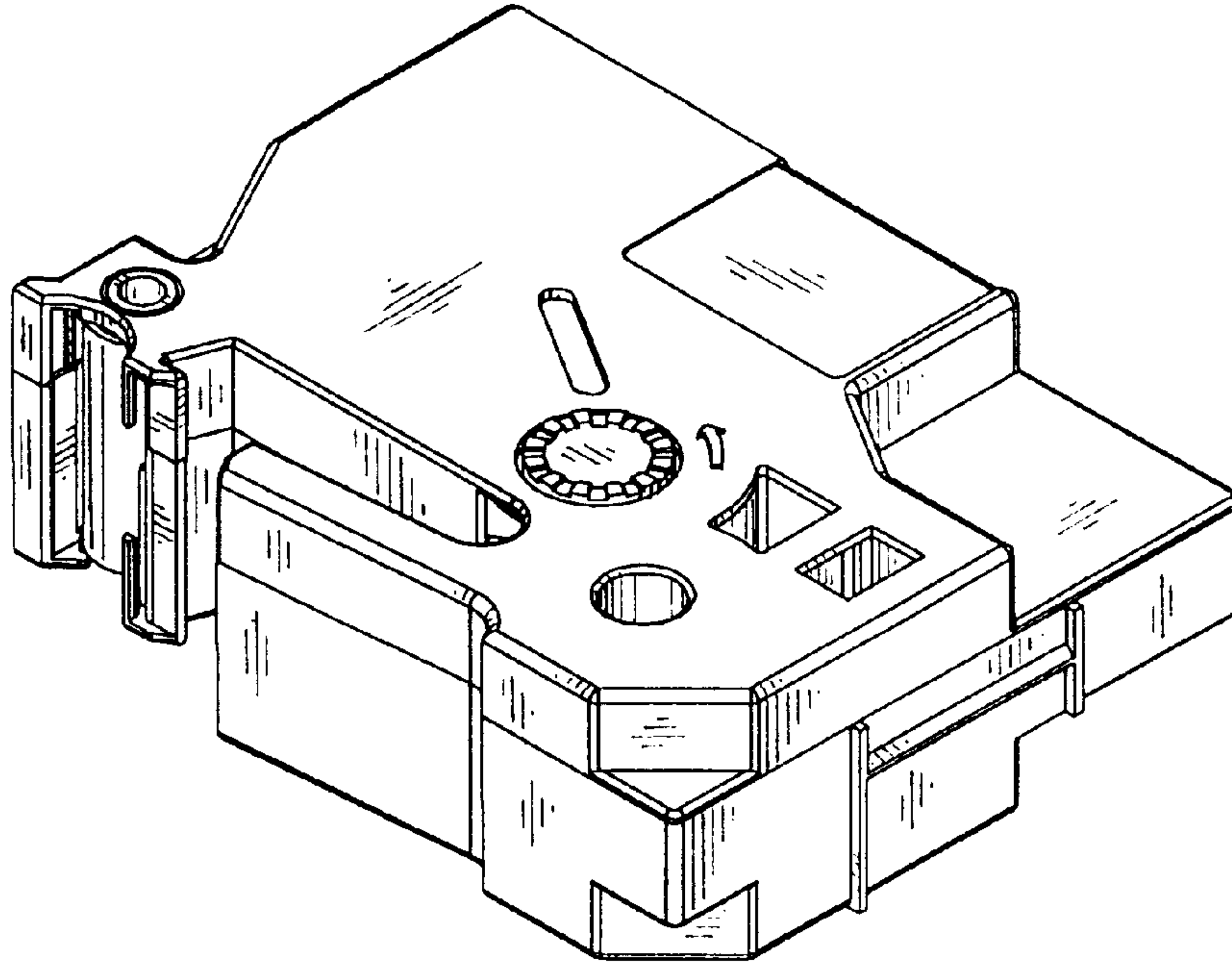


Fig. 2

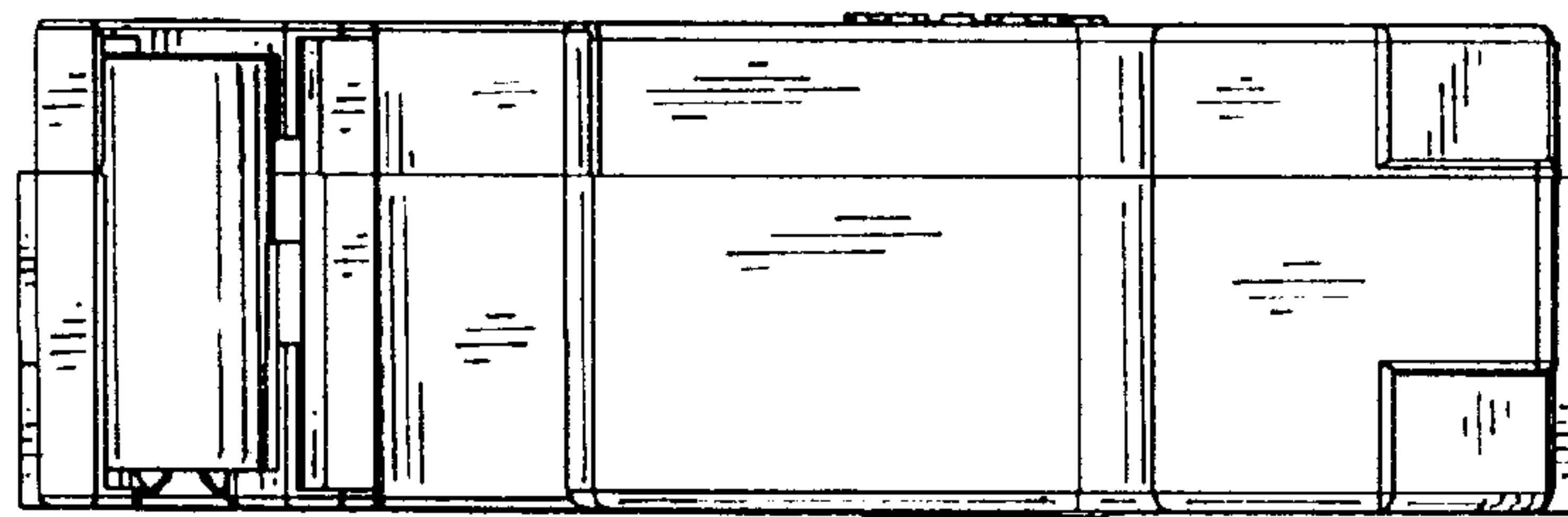


Fig. 3

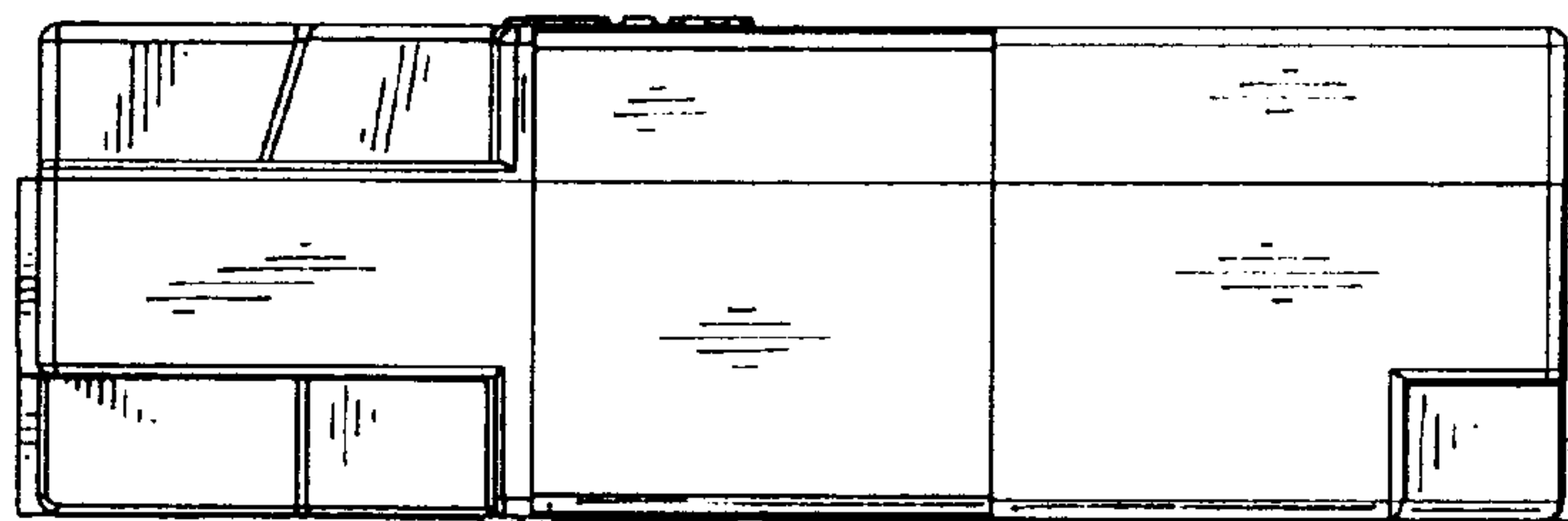


Fig. 4

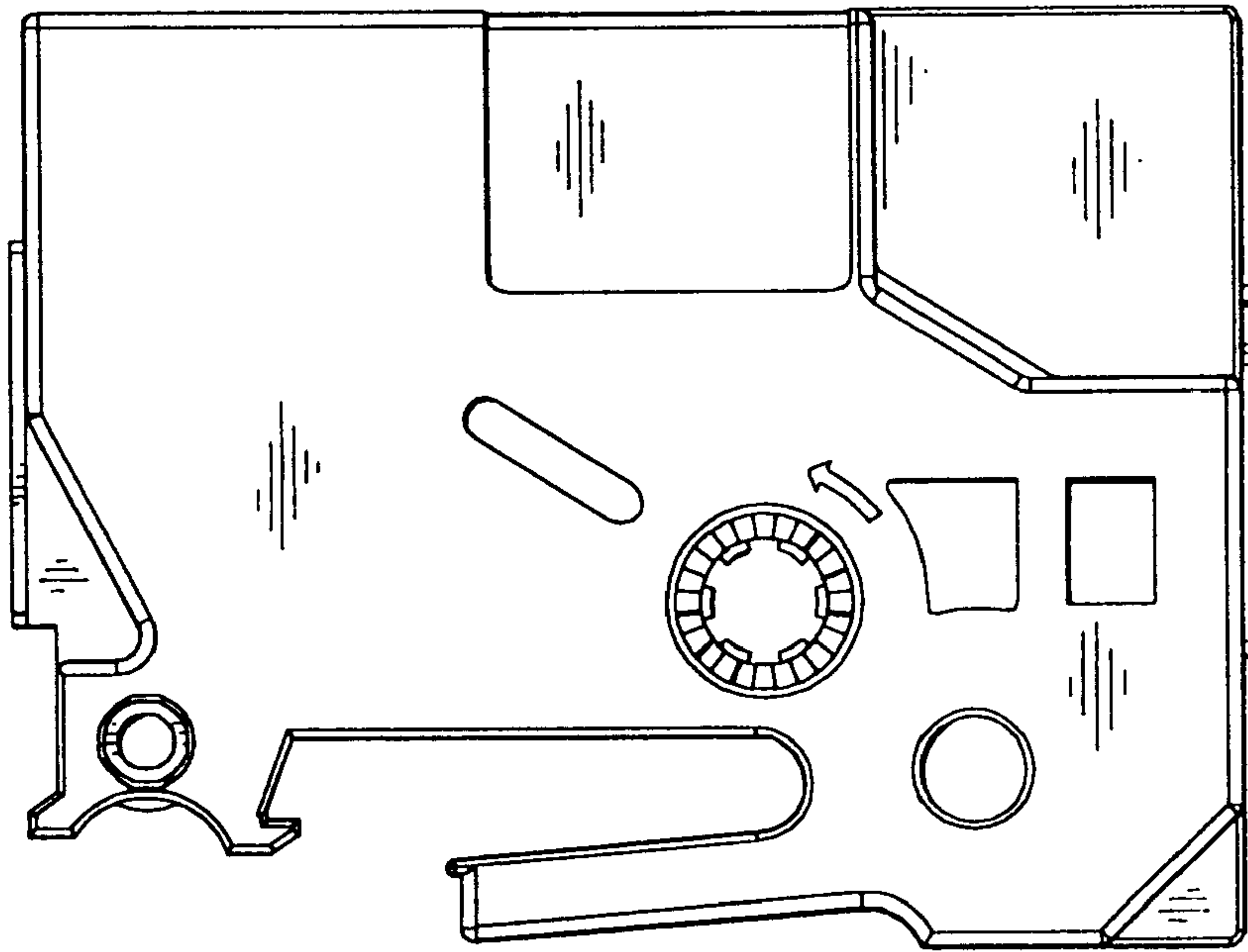


Fig. 5

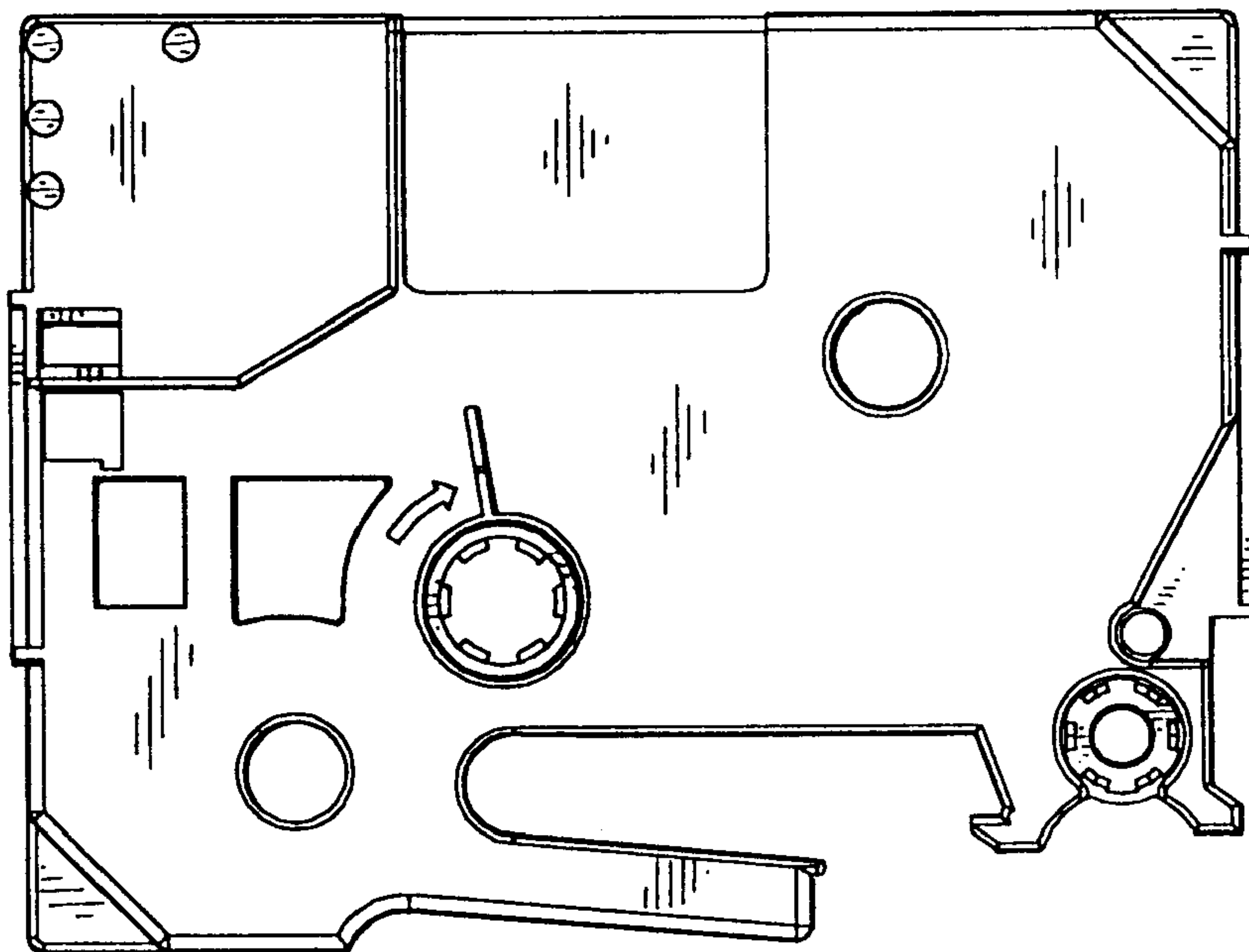


Fig. 6

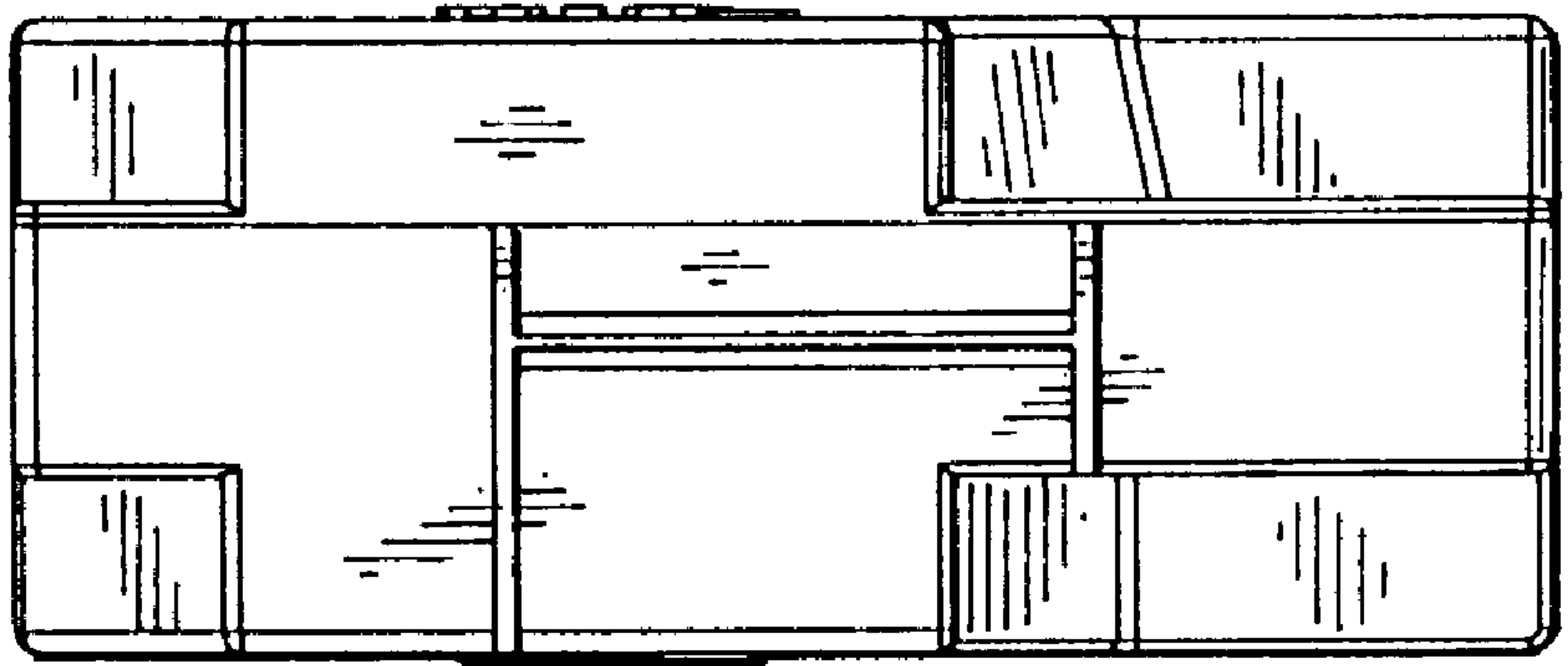


Fig. 7

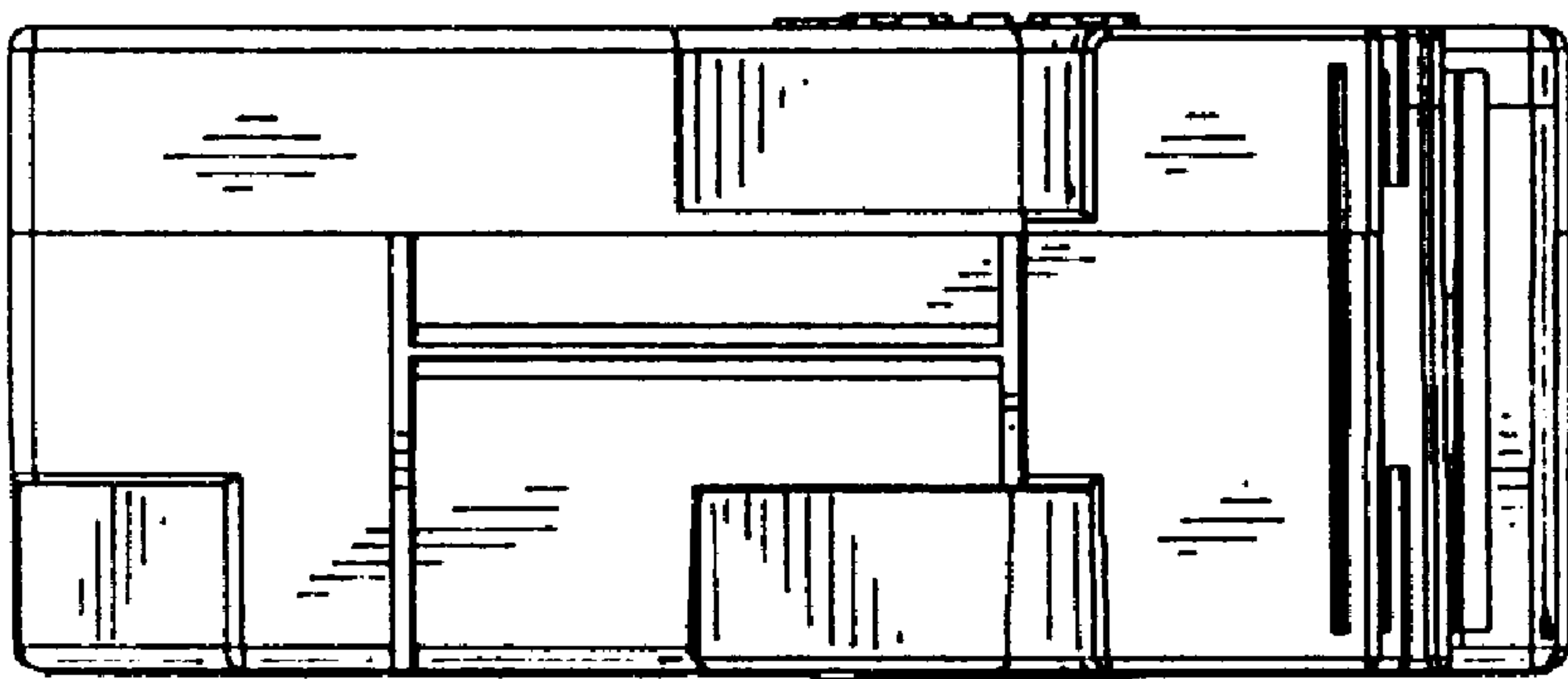


Fig. 8

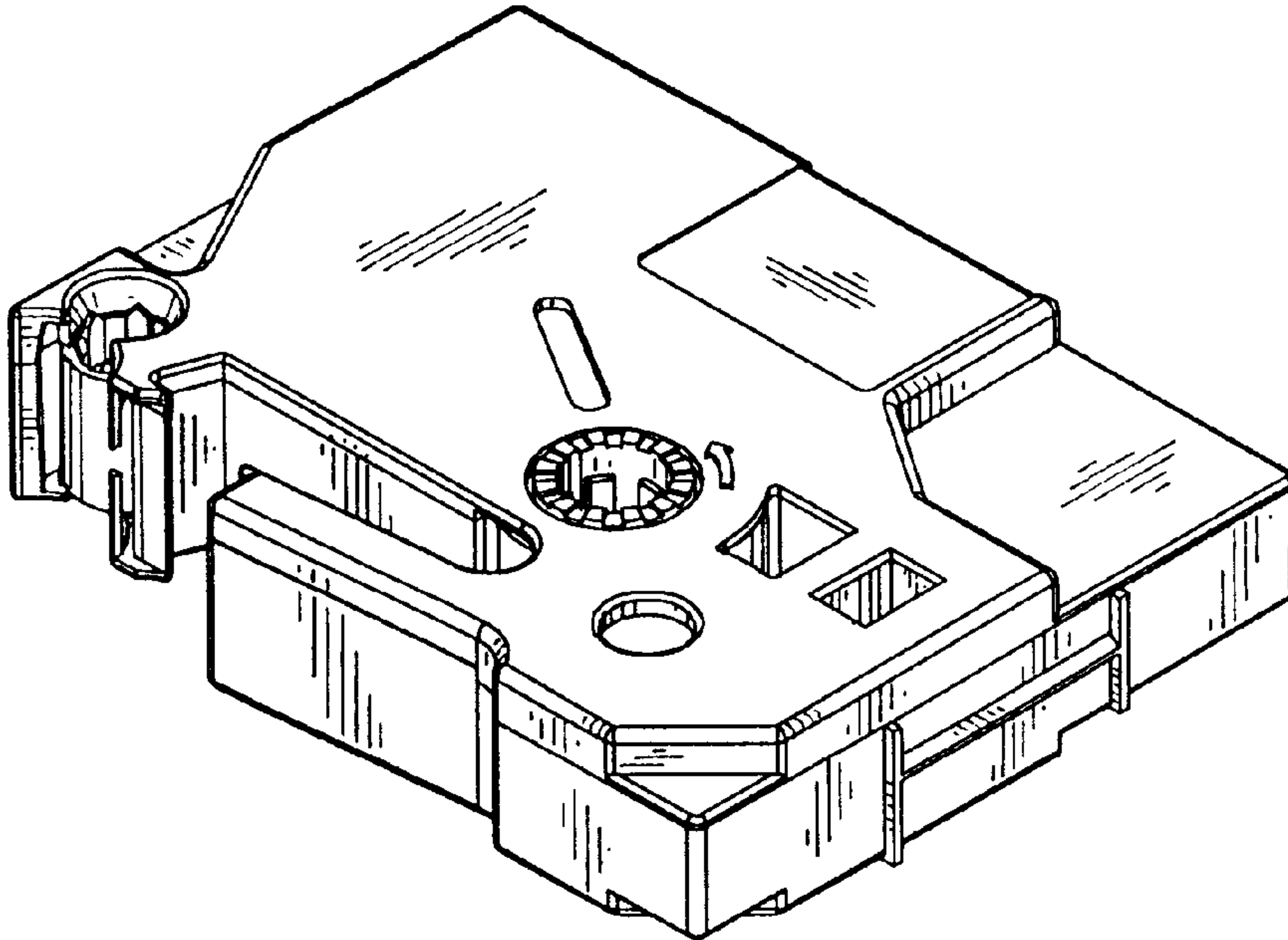


Fig. 9

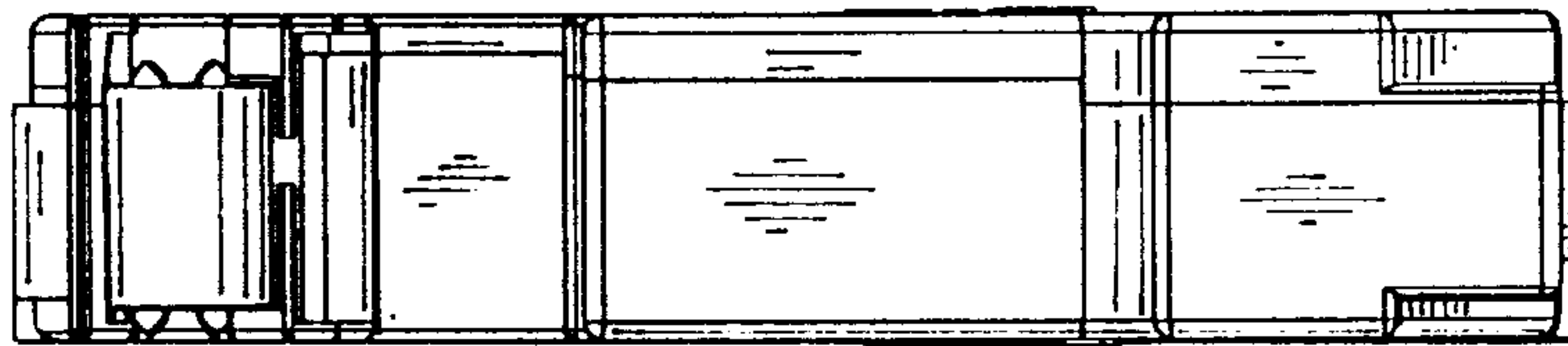


Fig. 10

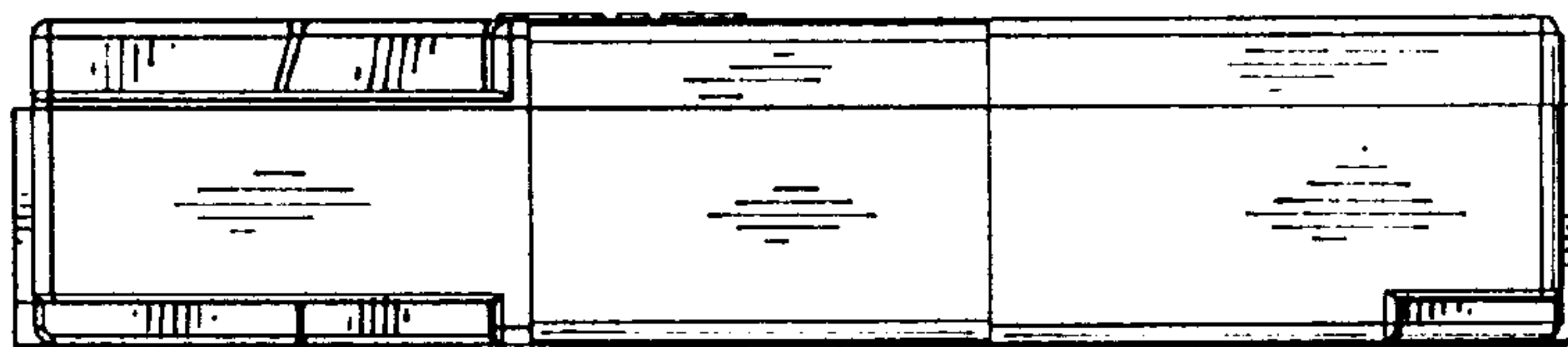


Fig. 11

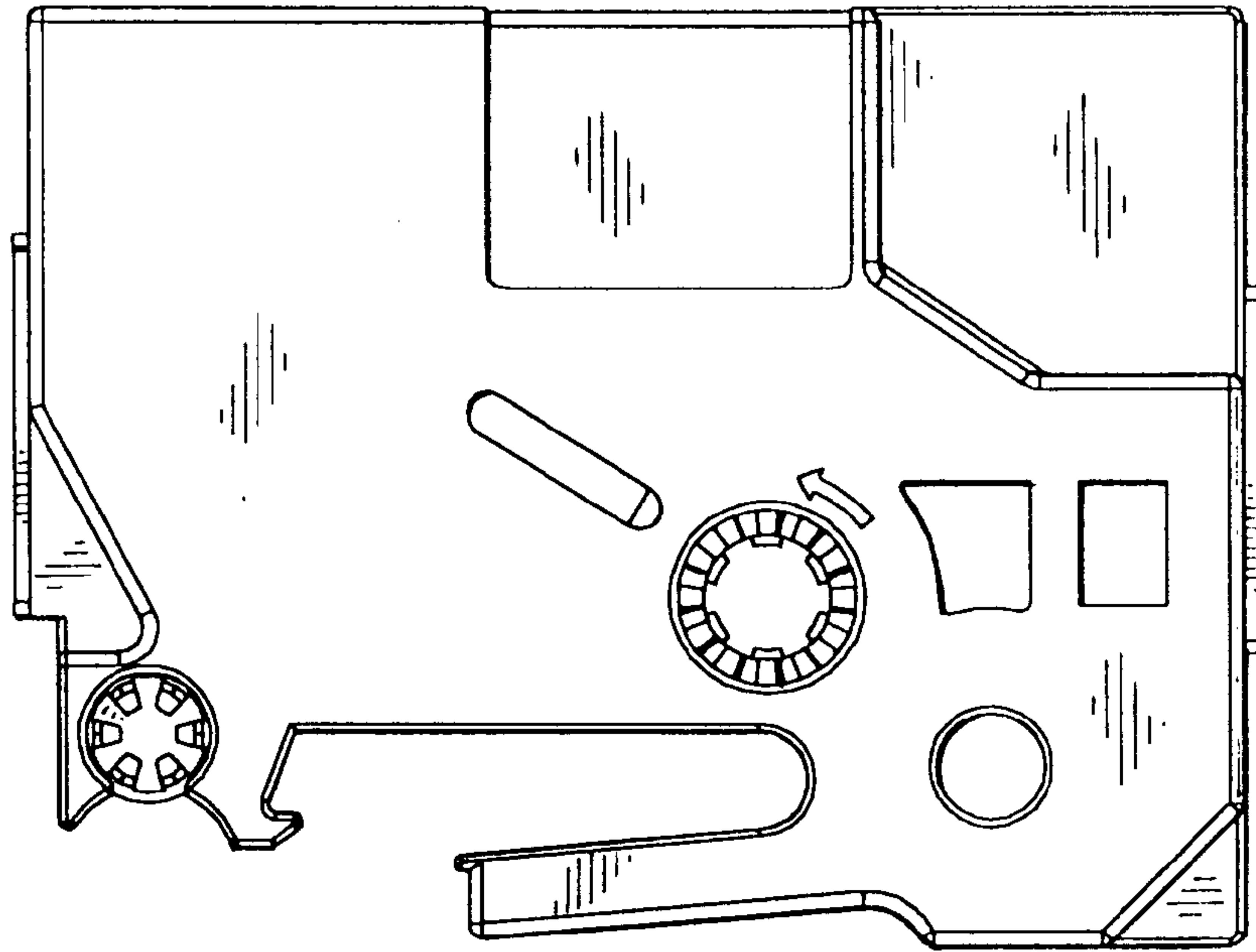


Fig. 12

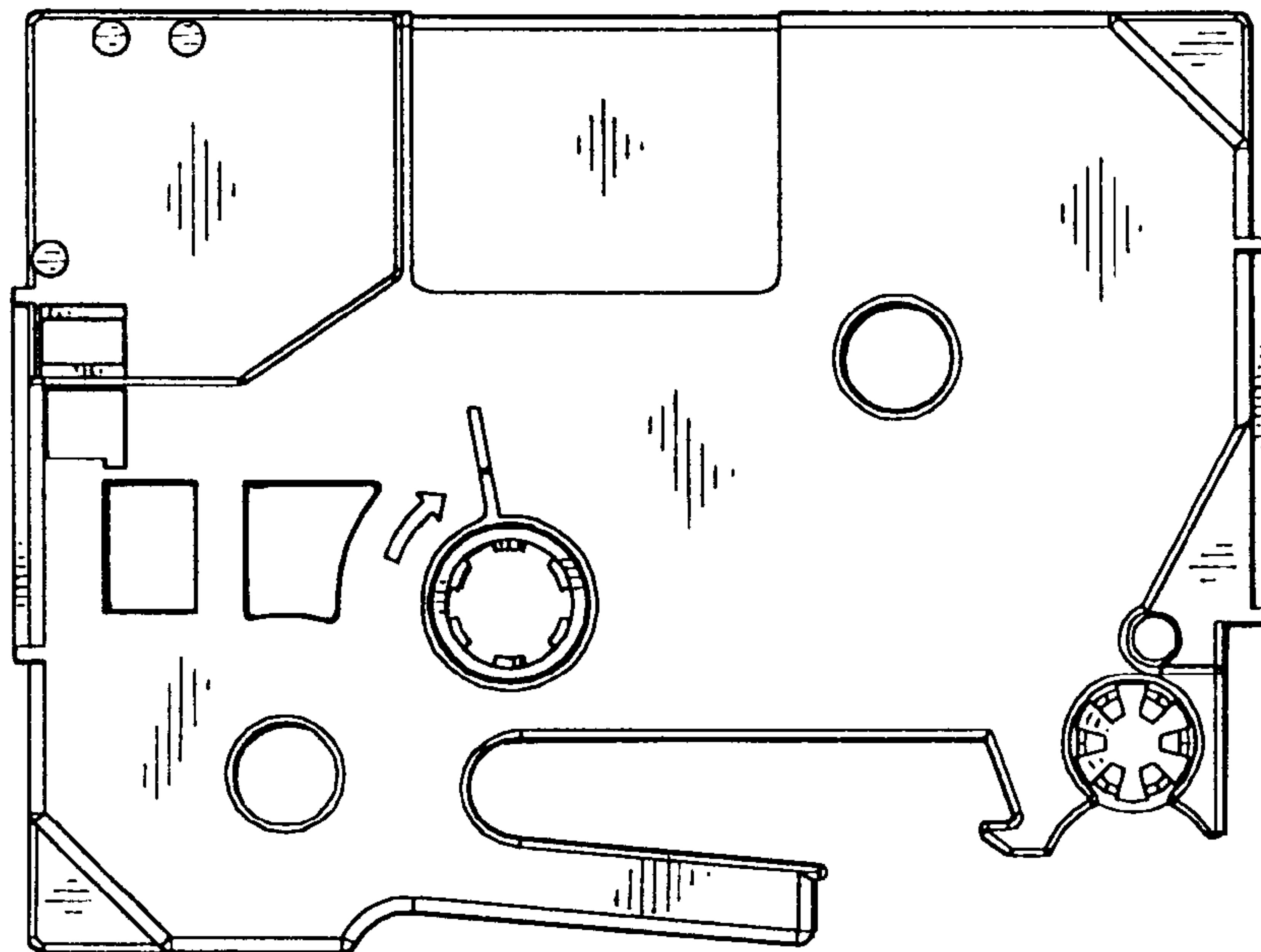


Fig. 13

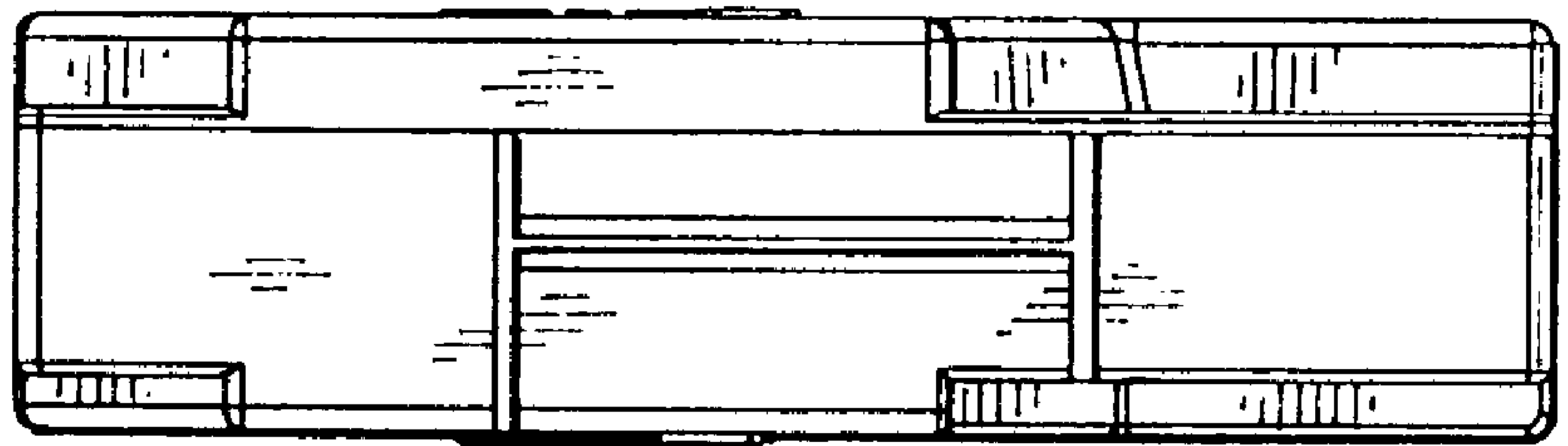


Fig. 14

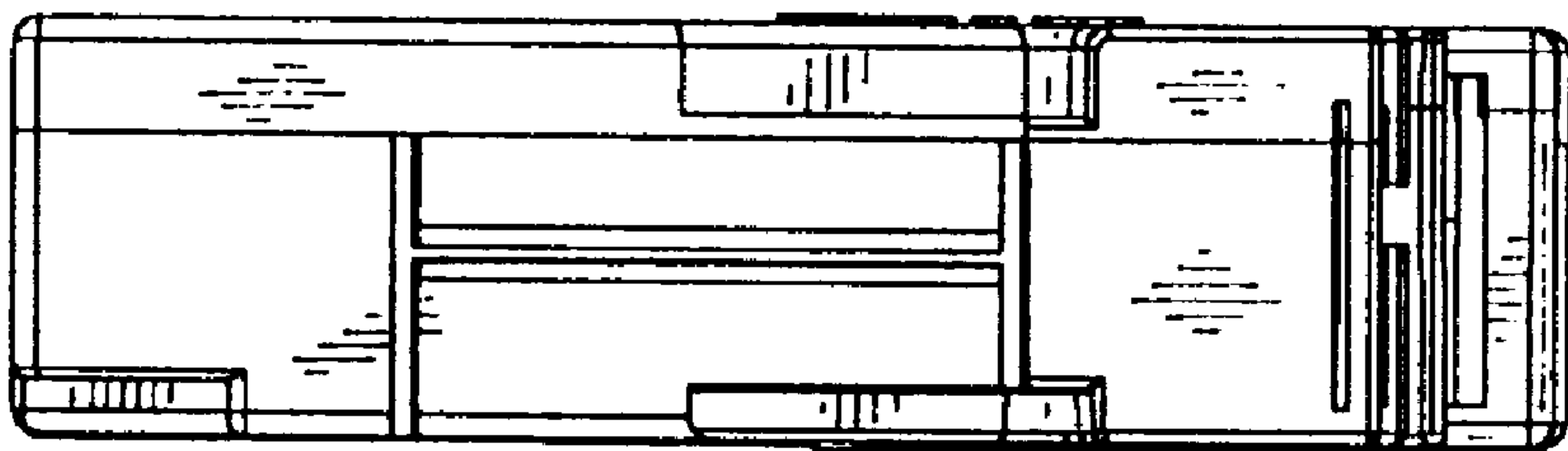


Fig. 15

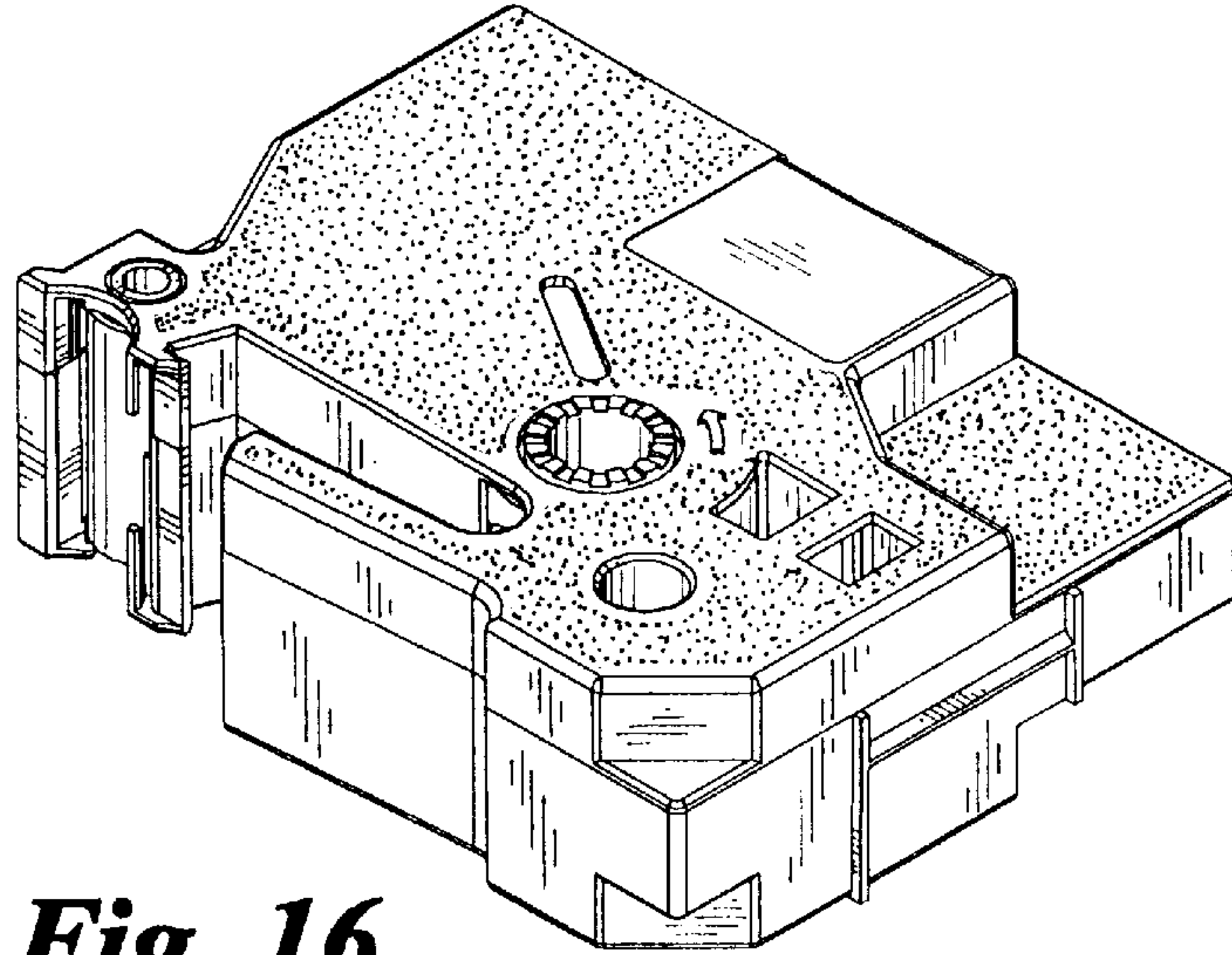


Fig. 16

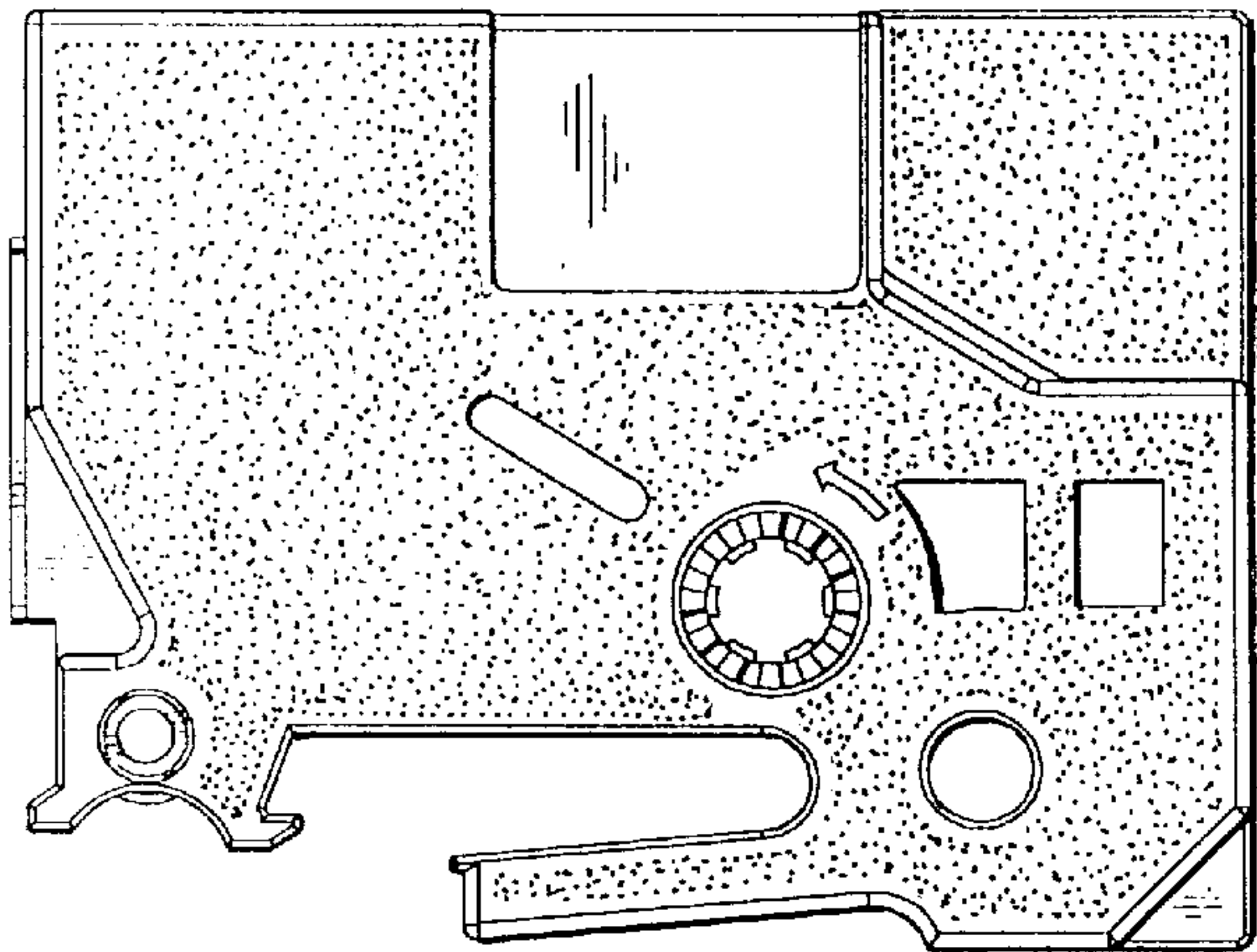


Fig. 17

