



US00D435588S

United States Patent [19]

Kobayashi et al.

[11] Patent Number: Des. 435,588

[45] Date of Patent: ** Dec. 26, 2000

[54] PRINTER

[75] Inventors: Makoto Kobayashi; Toru Nakazawa, both of Nagano-ken, Japan

[73] Assignee: Seiko Epson Corporation, Tokyo, Japan

[**] Term: 14 Years

[21] Appl. No.: 29/108,491

[22] Filed: Jul. 28, 1999

[30] Foreign Application Priority Data

Jan. 29, 1999 [JP] Japan 11-2081

[51] LOC (7) Cl. 18-02

[52] U.S. Cl. D18/55

[58] Field of Search D18/50, 54-55; 400/613, 613.1-613.4, 691-694, 690.1-690.4

[56] References Cited

U.S. PATENT DOCUMENTS

D. 356,818	3/1995	Sekine et al.	D18/55
D. 370,025	5/1996	Weng	D18/50
D. 373,596	9/1996	Sekine et al.	D18/55
D. 378,378	3/1997	Nakazawa et al.	D18/54
D. 379,827	6/1997	Andre	D18/54

D. 382,583	8/1997	Takahashi et al.	D18/55
D. 390,258	2/1998	Kawahara et al.	D18/55
D. 393,870	4/1998	Kobayashi et al.	D18/55
D. 400,571	11/1998	Shimizu	D18/54
D. 400,572	11/1998	Sekine et al.	D18/54
D. 400,918	11/1998	Kobayashi et al.	D18/55
D. 411,228	6/1999	Kobayashi et al.	D18/50
D. 422,570	4/2000	Kobayashi	D18/54
D. 424,102	5/2000	Igarashi	D18/54

Primary Examiner—Cathy Anne MacCormac
Attorney, Agent, or Firm—Stroock & Stroock & Lavan LLP

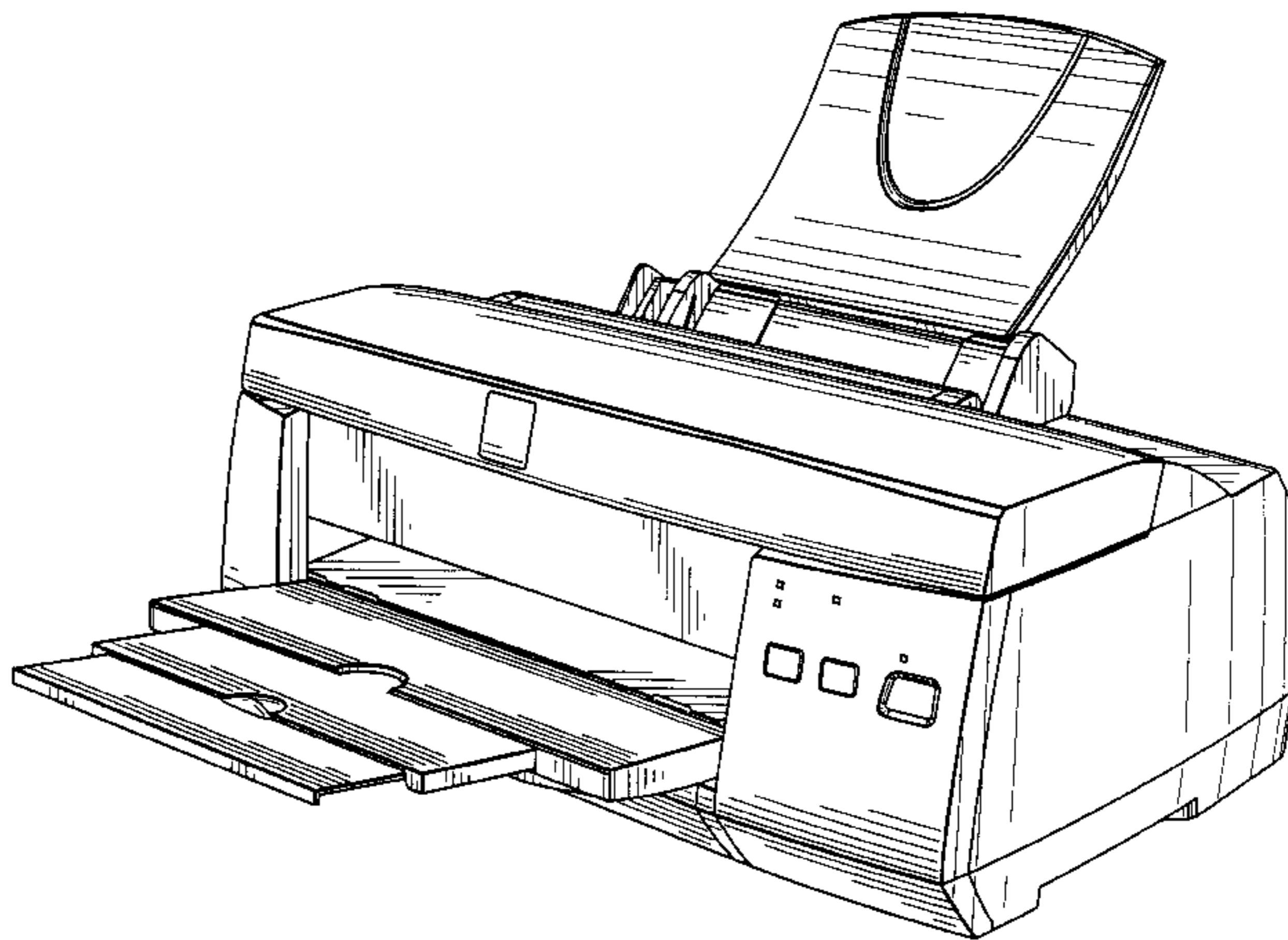
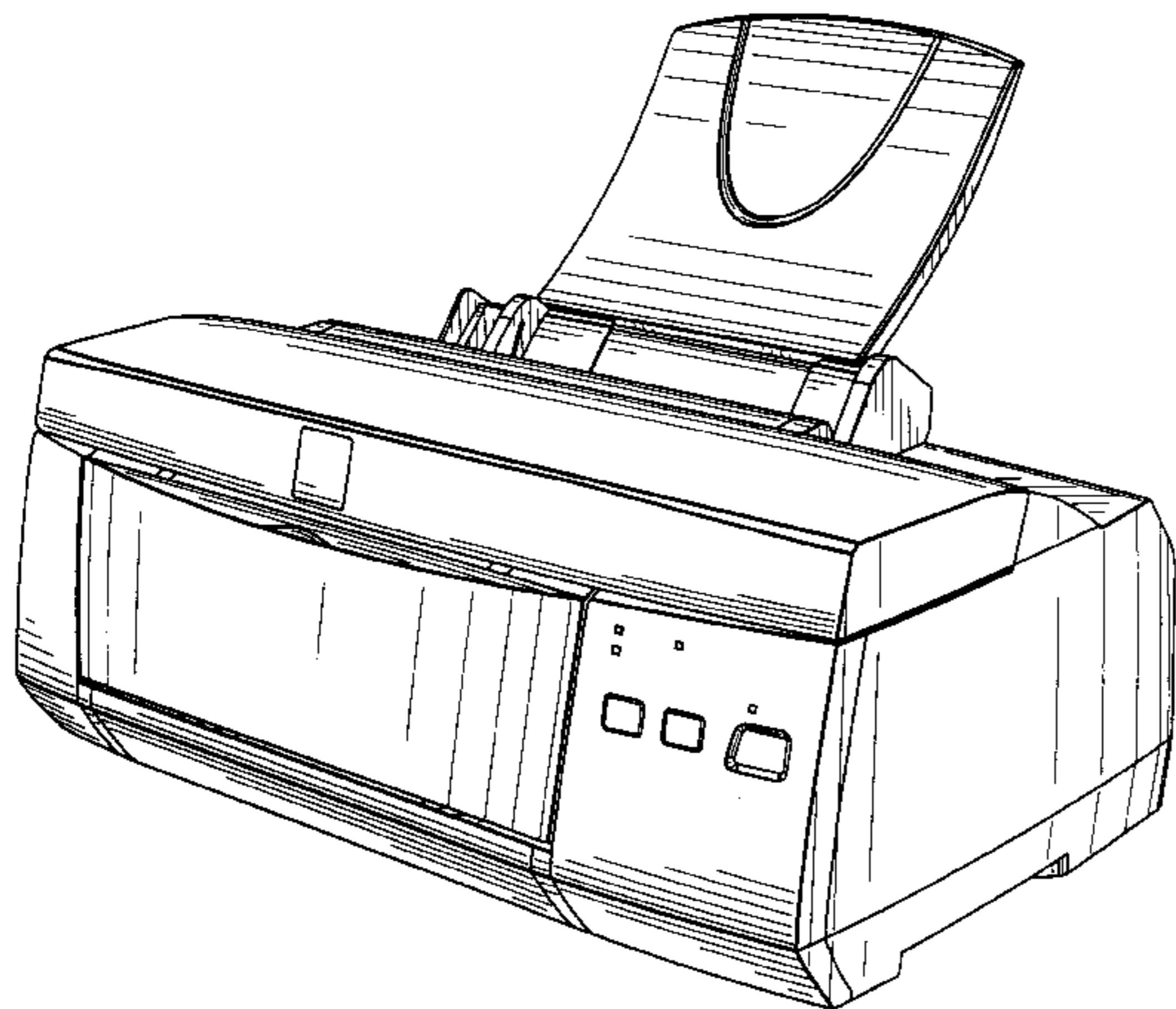
[57] CLAIM

The ornamental design for a printer, as shown.

DESCRIPTION

FIG. 1 is a front perspective view of a printer in accordance with the invention;
FIG. 2 is a top plan view thereof;
FIG. 3 is a front elevational view thereof;
FIG. 4 is a side elevational view thereof;
FIG. 5 is an opposite side elevational view thereof;
FIG. 6 is a rear elevational view thereof;
FIG. 7 is a bottom plan view thereof; and,
FIG. 8 is another front perspective view thereof showing the paper receiving tray in an open position.

1 Claim, 5 Drawing Sheets



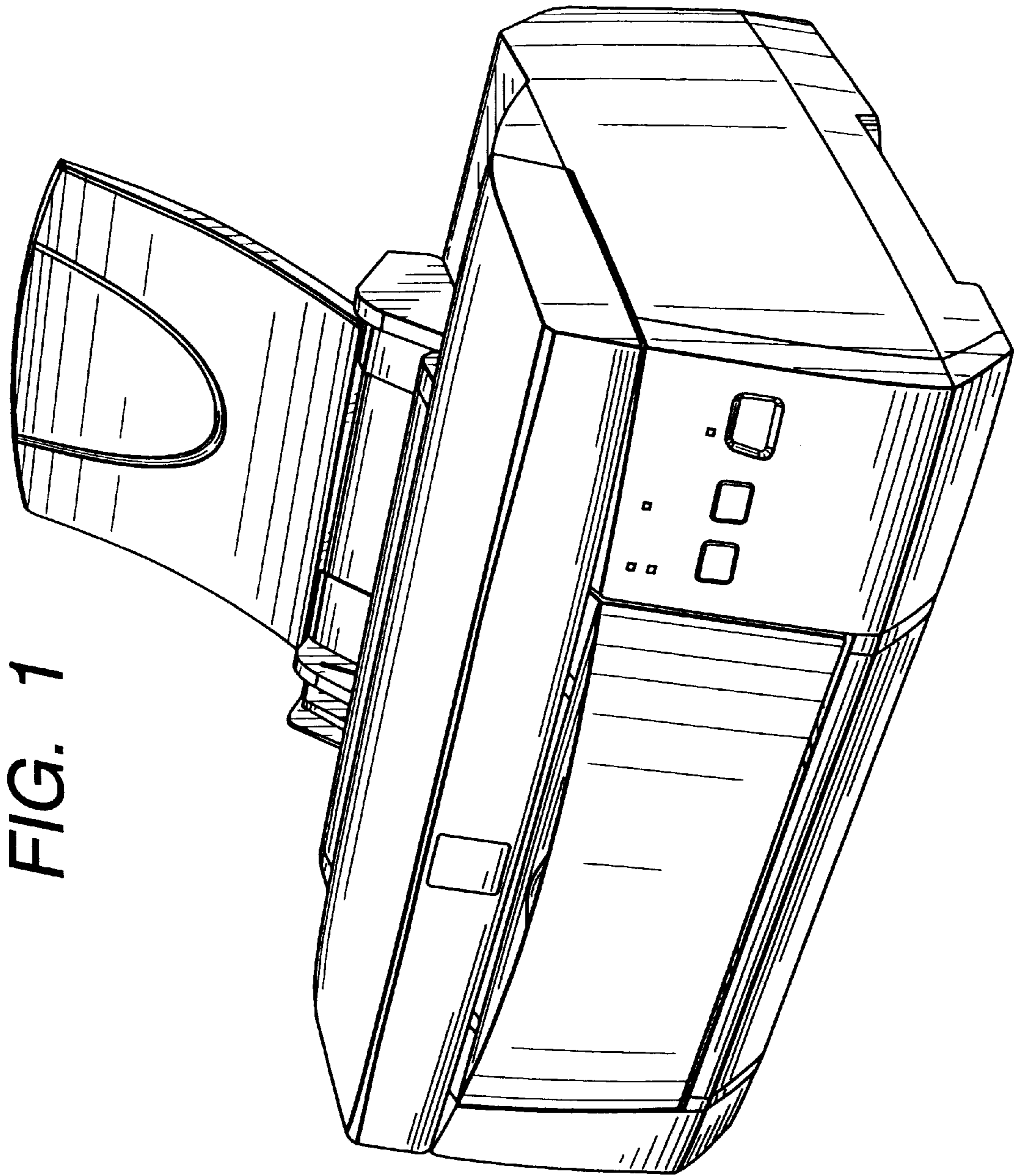


FIG. 1

FIG. 2

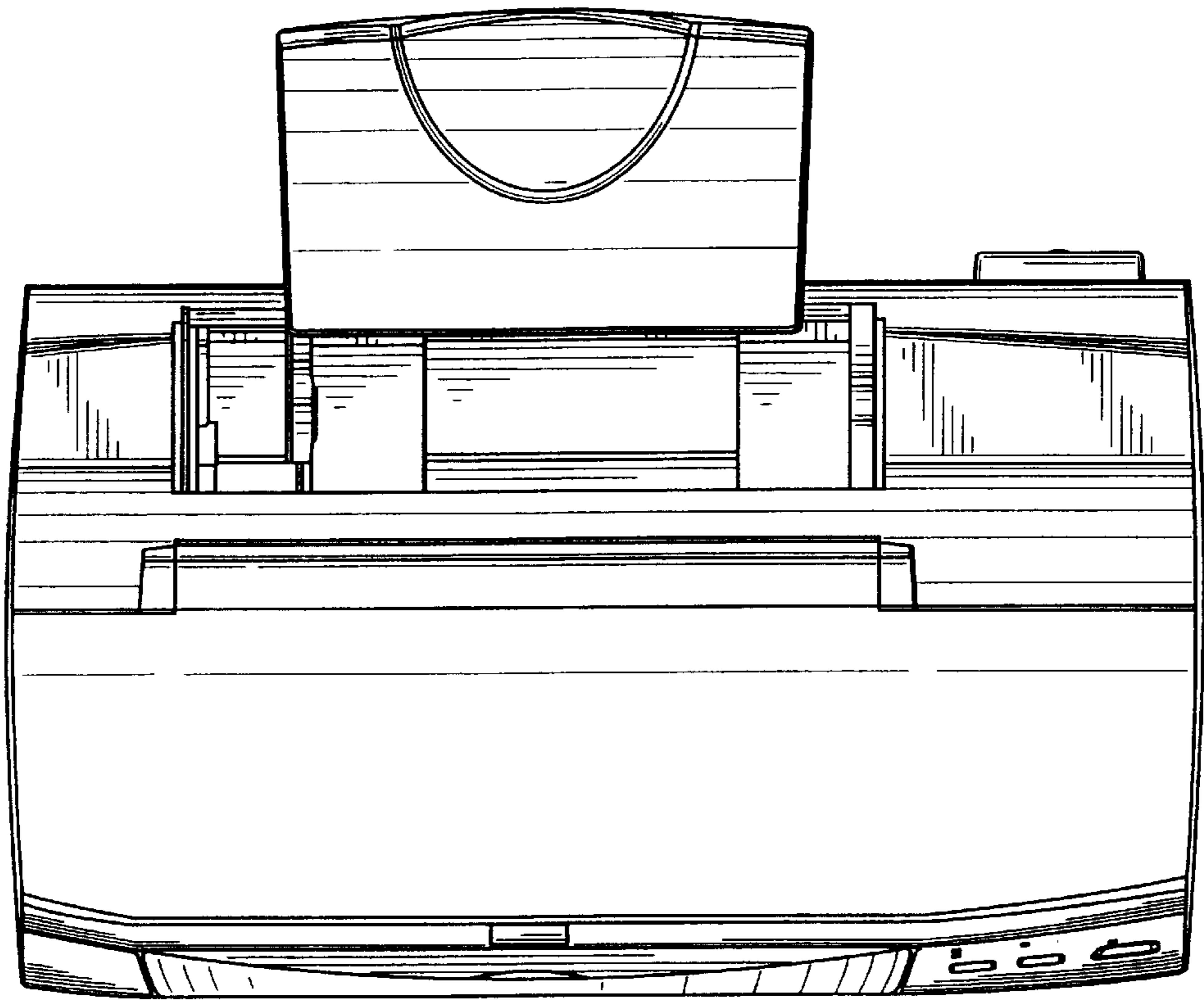


FIG. 3

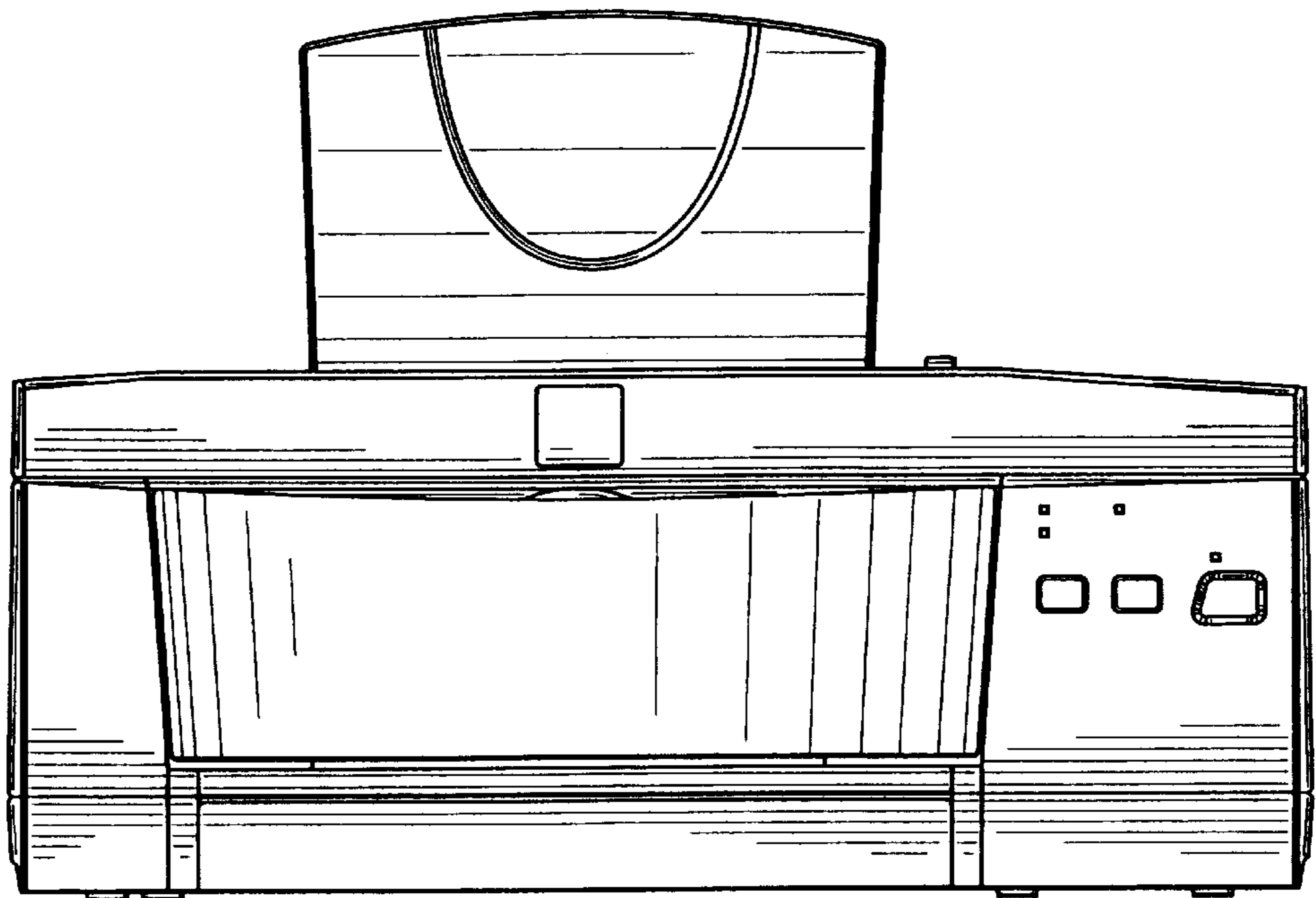


FIG. 4

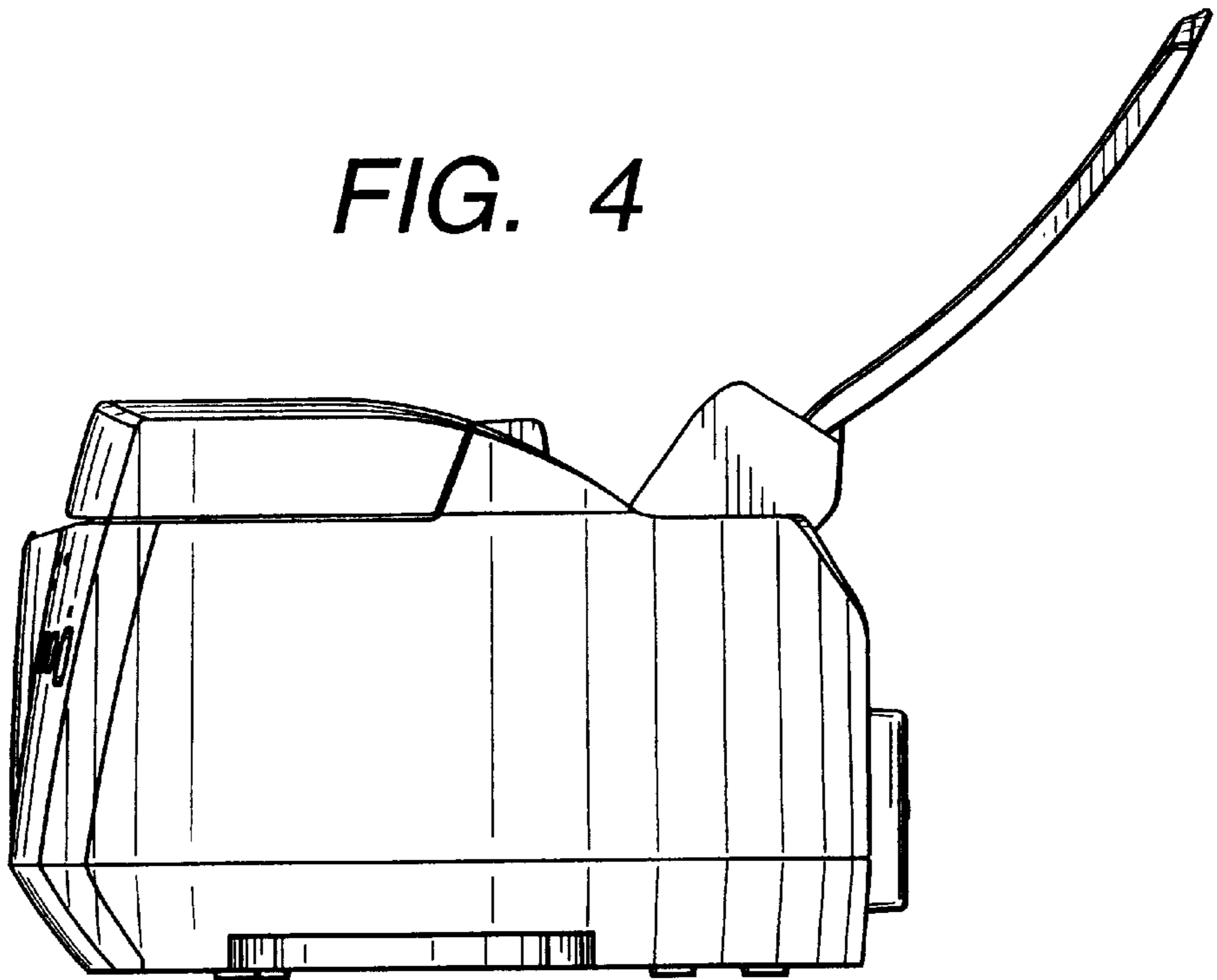


FIG. 5

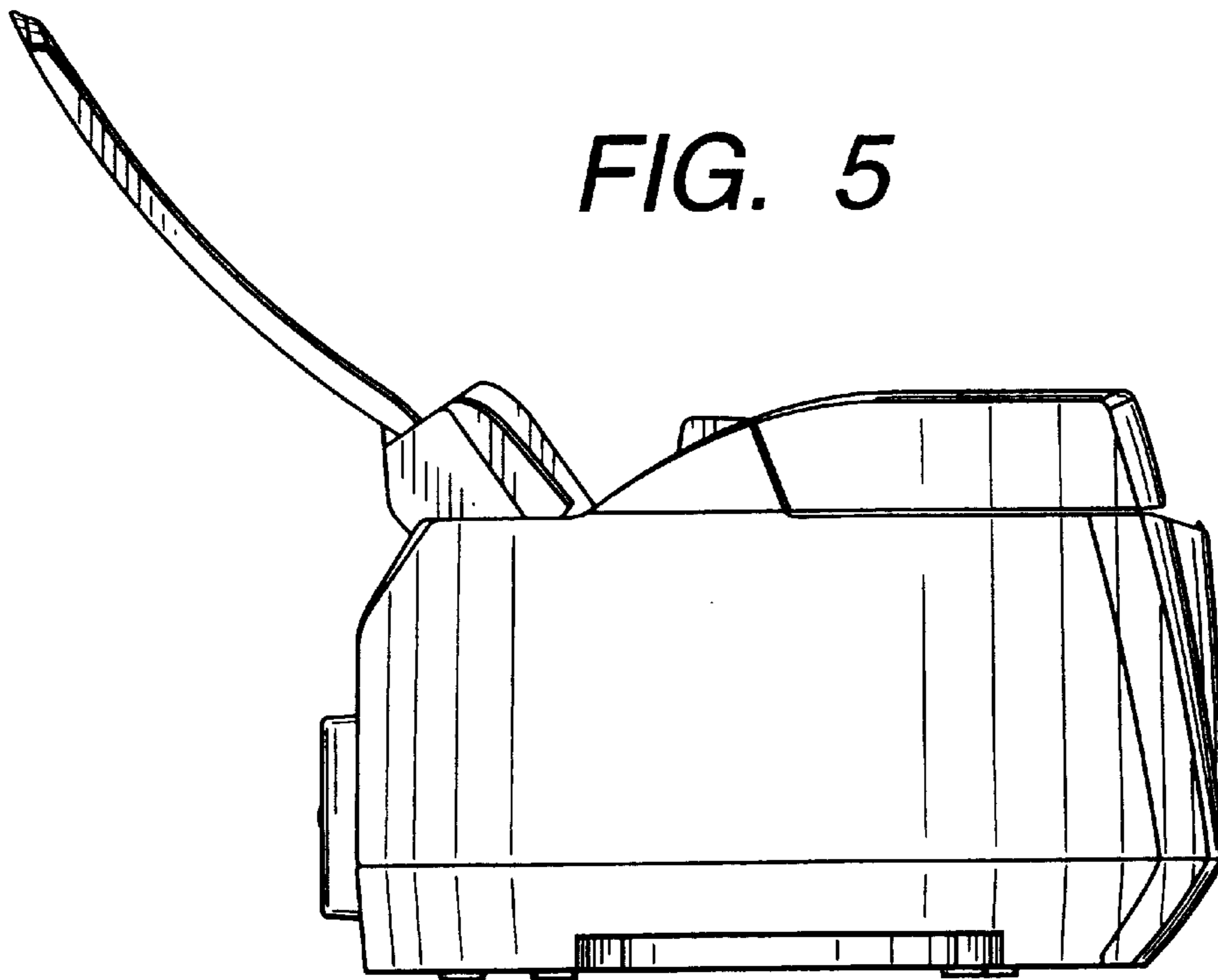


FIG. 6

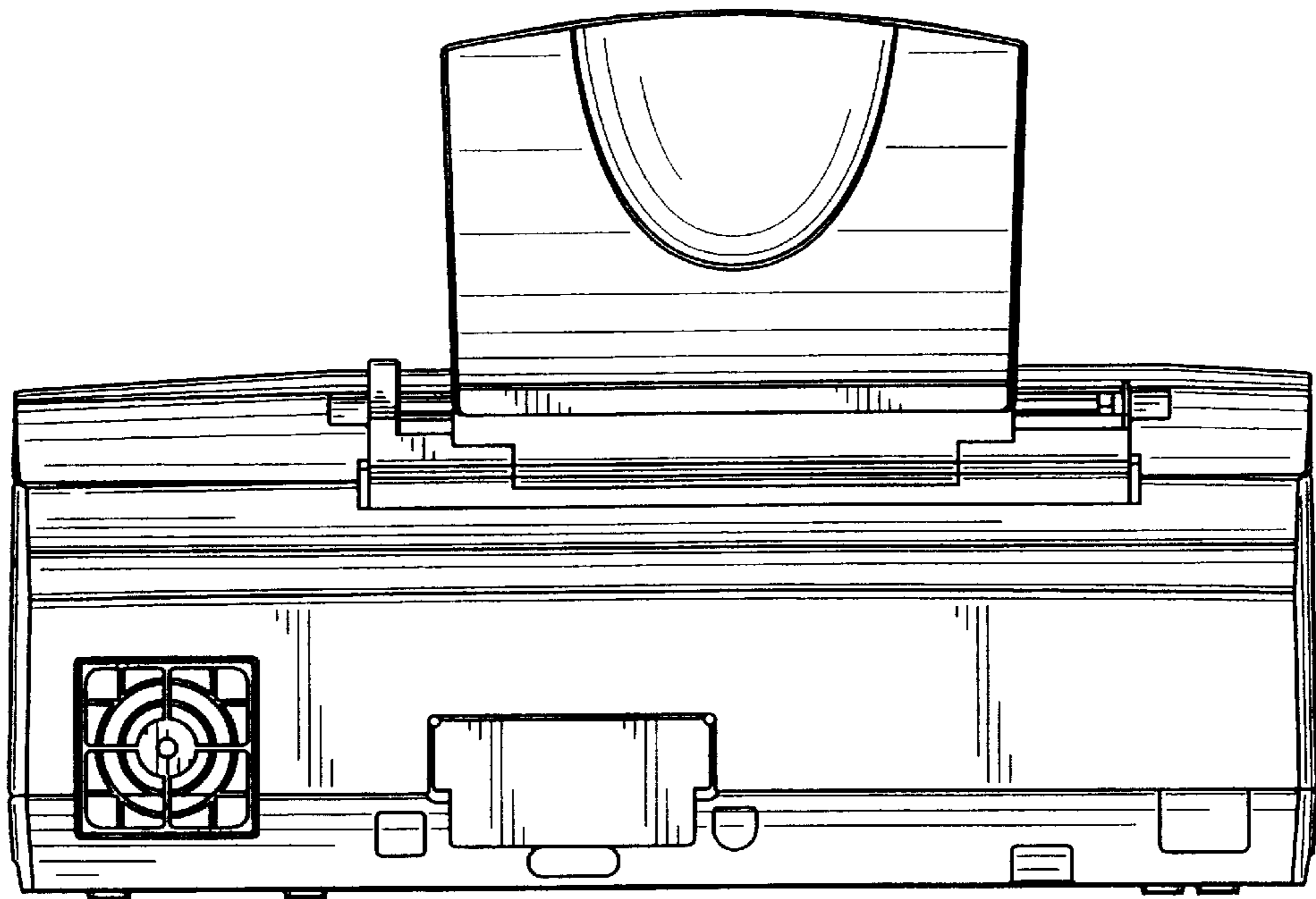
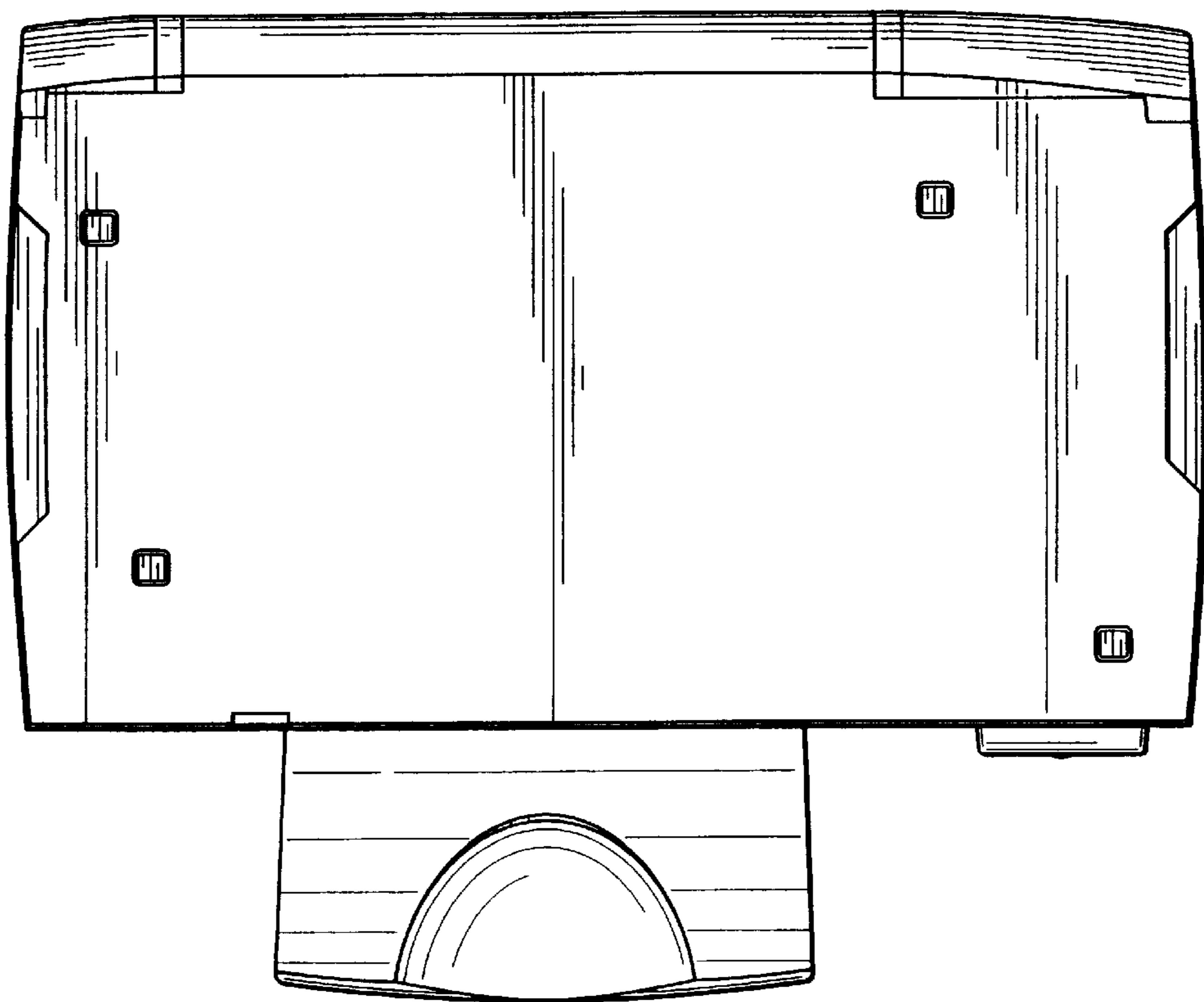


FIG. 7



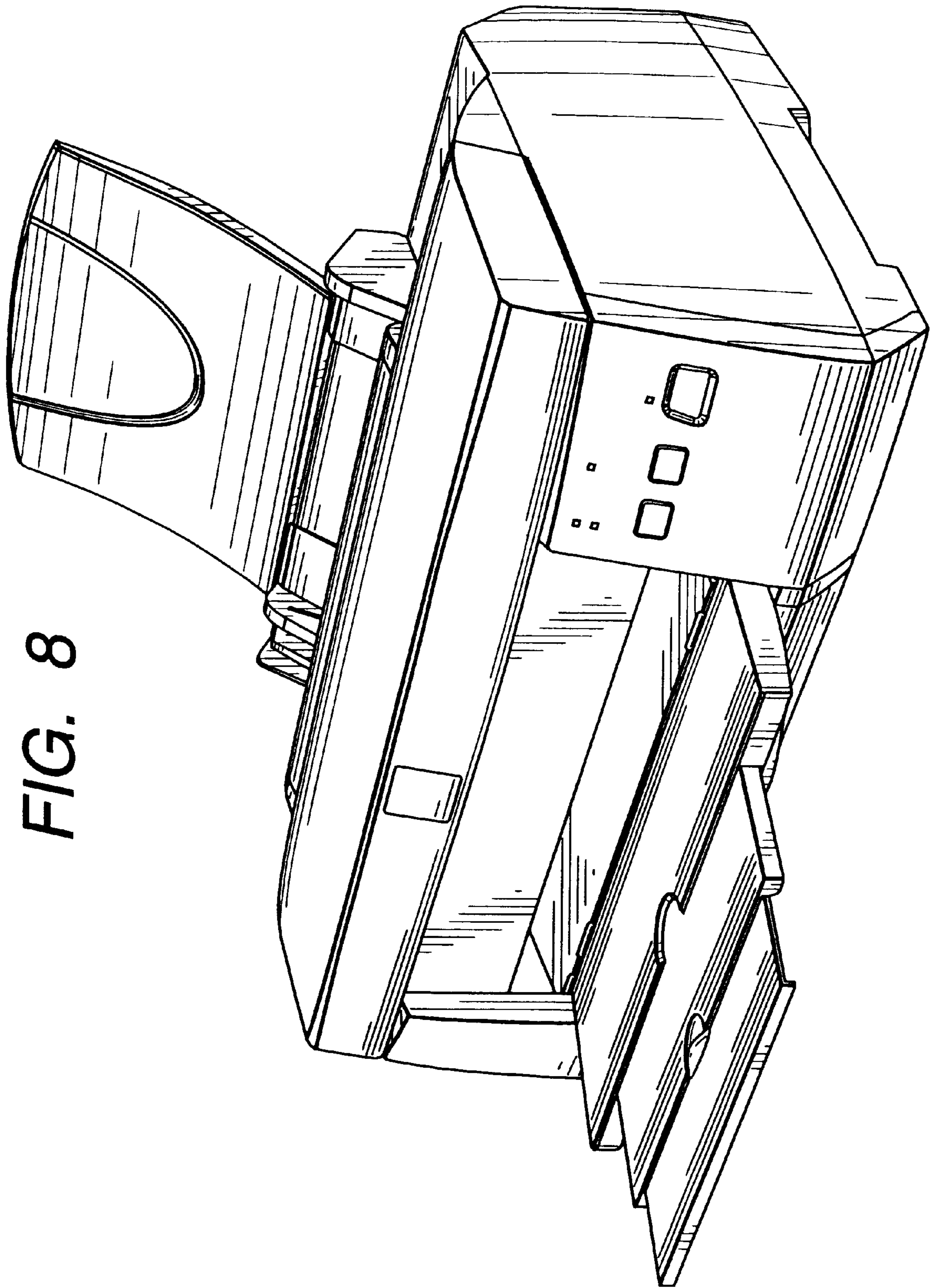


FIG. 8