



US00D435587S

United States Patent [19]

Suzuki et al.

[11] Patent Number: **Des. 435,587**

[45] Date of Patent: **** Dec. 26, 2000**

[54] **FOUR-BIN TRAY**

[75] Inventors: **Yuji Suzuki**, Kanagawa; **Yuki Nanri**, Tokyo, both of Japan

[73] Assignee: **Ricoh Company, Ltd.**, Tokyo, Japan

[**] Term: **14 Years**

[21] Appl. No.: **29/117,414**

[22] Filed: **Jan. 27, 2000**

[30] **Foreign Application Priority Data**

Jul. 26, 1999 [JP] Japan 11-19923

[51] **LOC (7) Cl.** **18-99**

[52] **U.S. Cl.** **D18/48**

[58] **Field of Search** D18/46-49; 399/361, 399/381, 393, 405; 271/3.14, 8.1, 278, 279

[56] **References Cited**

U.S. PATENT DOCUMENTS

- D. 281,699 12/1985 Fukuda D18/48
- D. 309,632 7/1990 Komada et al. D18/48
- D. 329,454 9/1992 Sugihara et al. D18/48

D. 379,635 6/1997 Shibata et al. D18/48

Primary Examiner—Caron D. Veynar
Attorney, Agent, or Firm—Dickstein Shapiro Morin & Oshinsky LLP

[57] **CLAIM**

The ornamental design for the four-bin tray, as shown and described.

DESCRIPTION

FIG. 1 is a front elevation of a four-bin tray showing our new design;
 FIG. 2 is a top plan view thereof;
 FIG. 3 is a rear elevation thereof;
 FIG. 4 is a bottom plan view thereof;
 FIG. 5 is a right side elevation thereof;
 FIG. 6 is a top, front, and left side perspective view thereof; and,
 FIG. 7 is a top, front, and left side perspective view showing a state in which the four-bin tray may be used in combination with a printer.
 The broken line showing of a printer in FIG. 7 is for illustrative purposes only and forms no part of the claimed design.

1 Claim, 4 Drawing Sheets

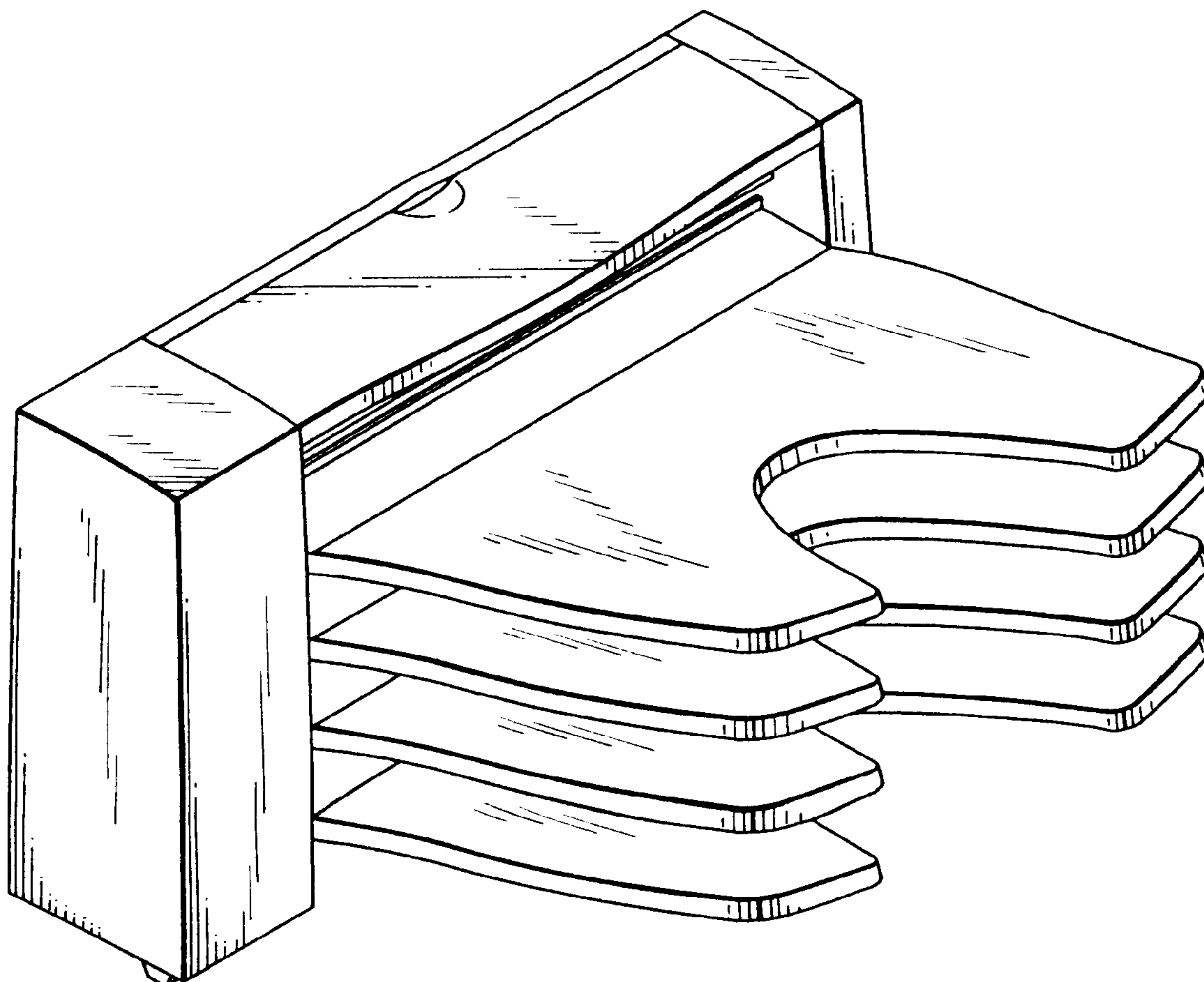


FIG. 1

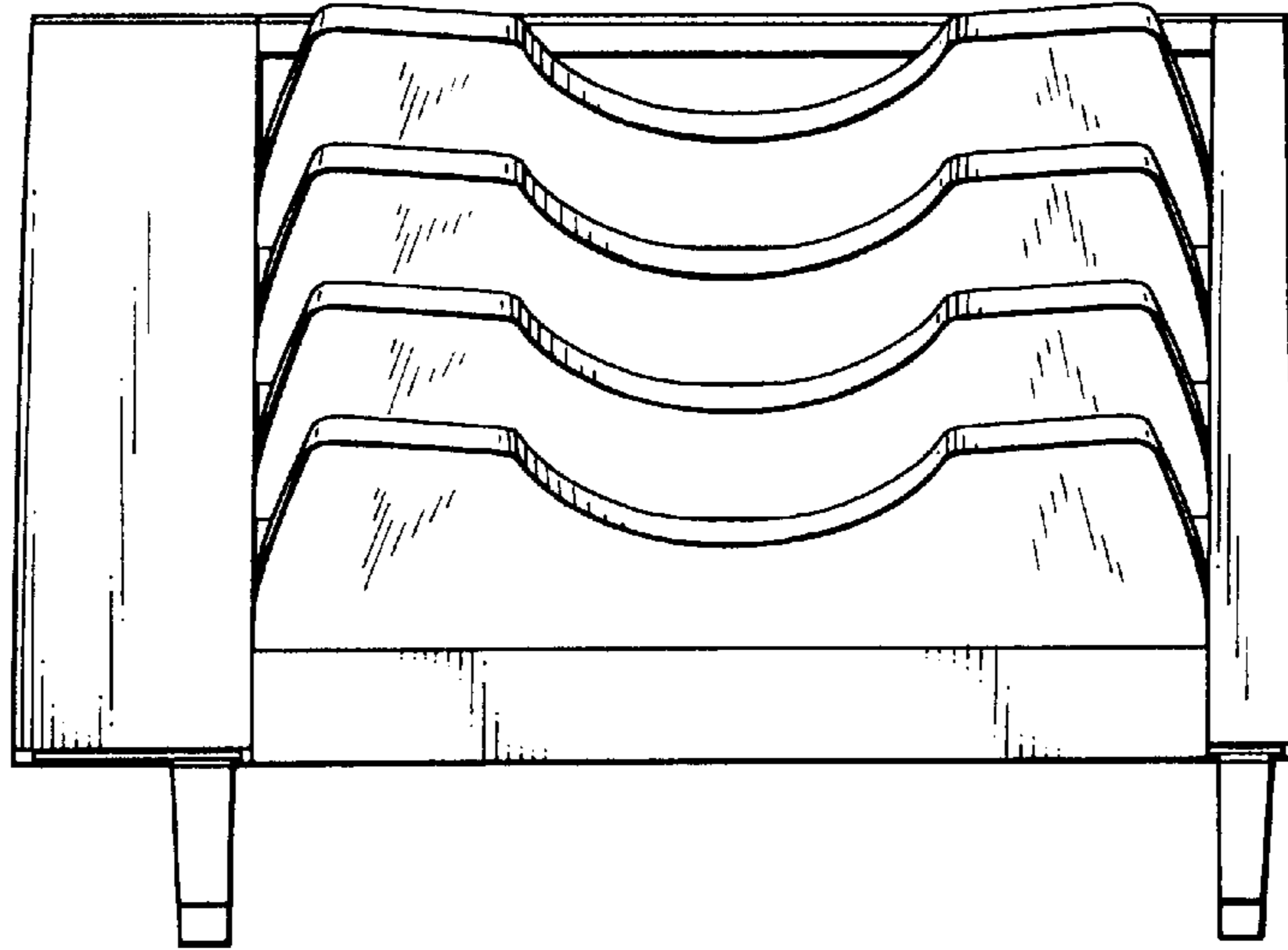


FIG. 2

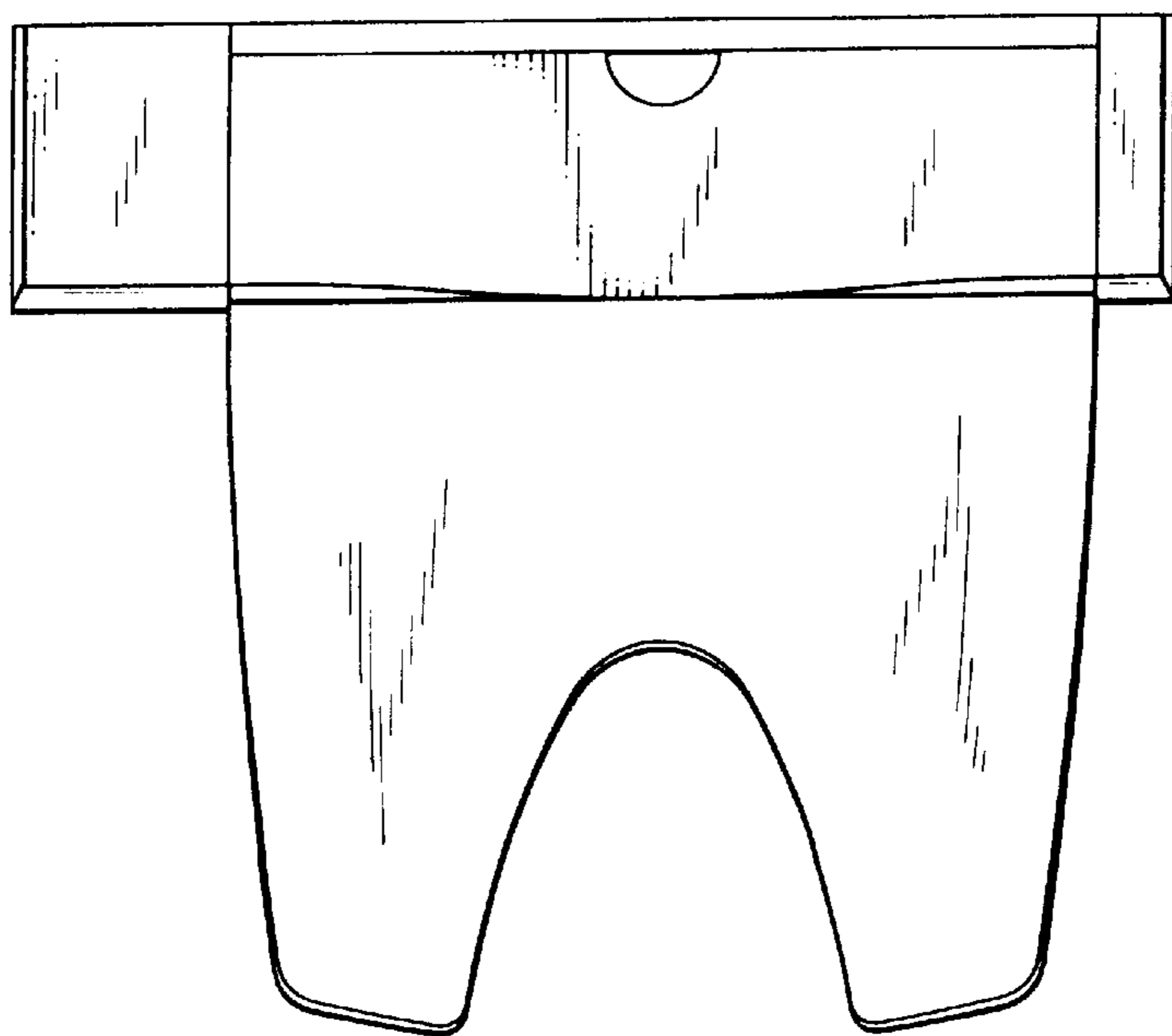


FIG. 3

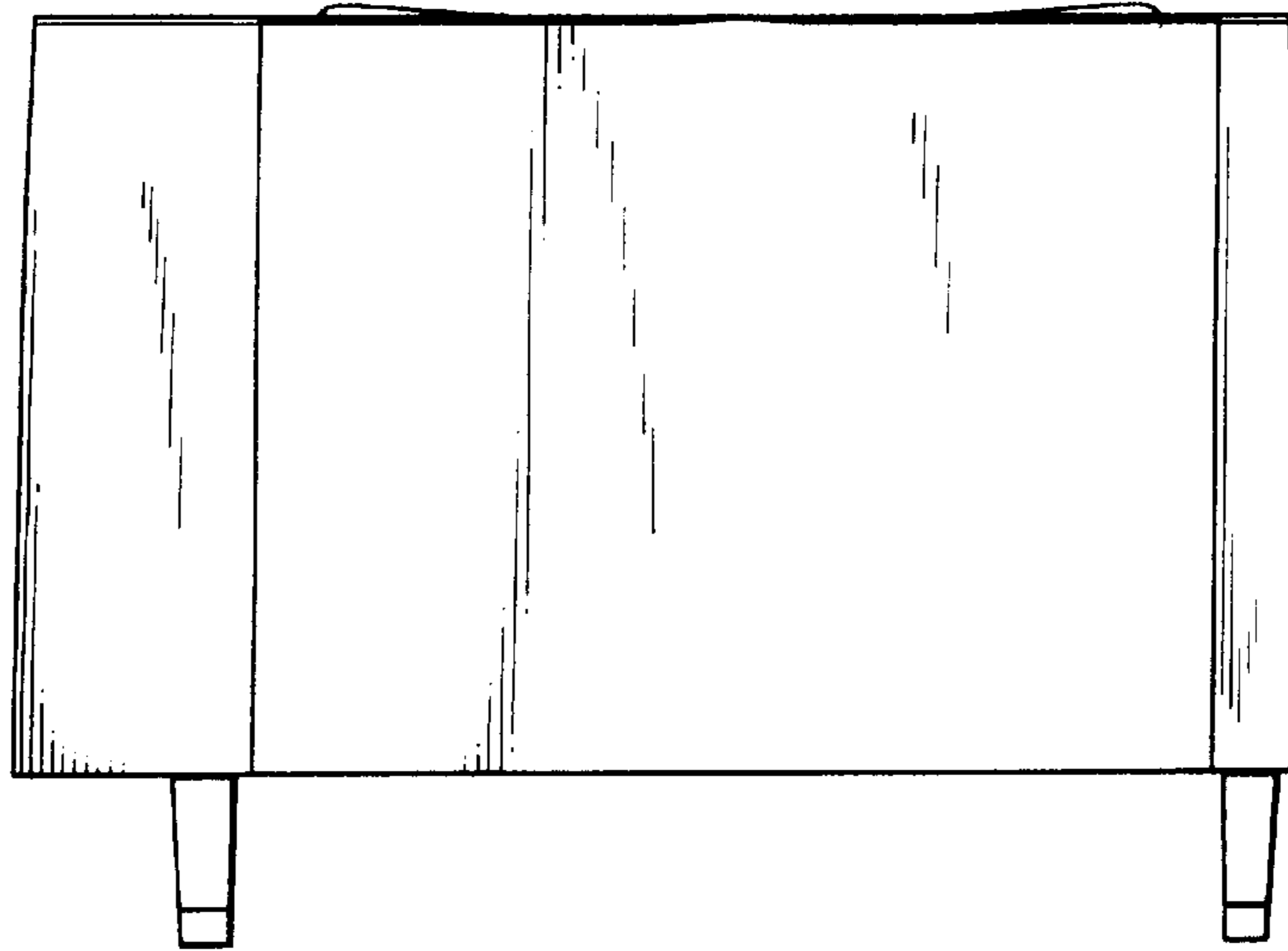


FIG. 4

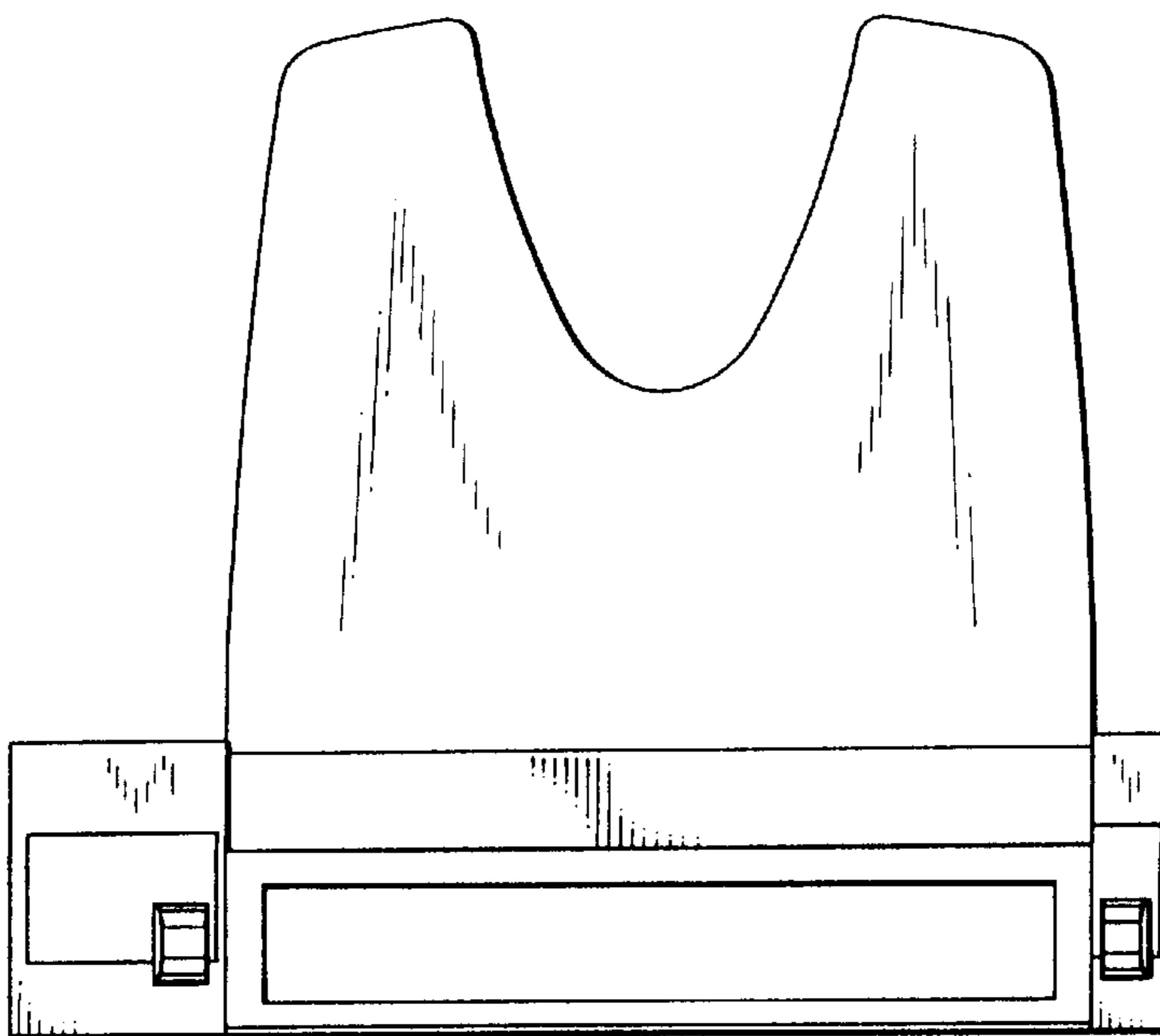


FIG. 5

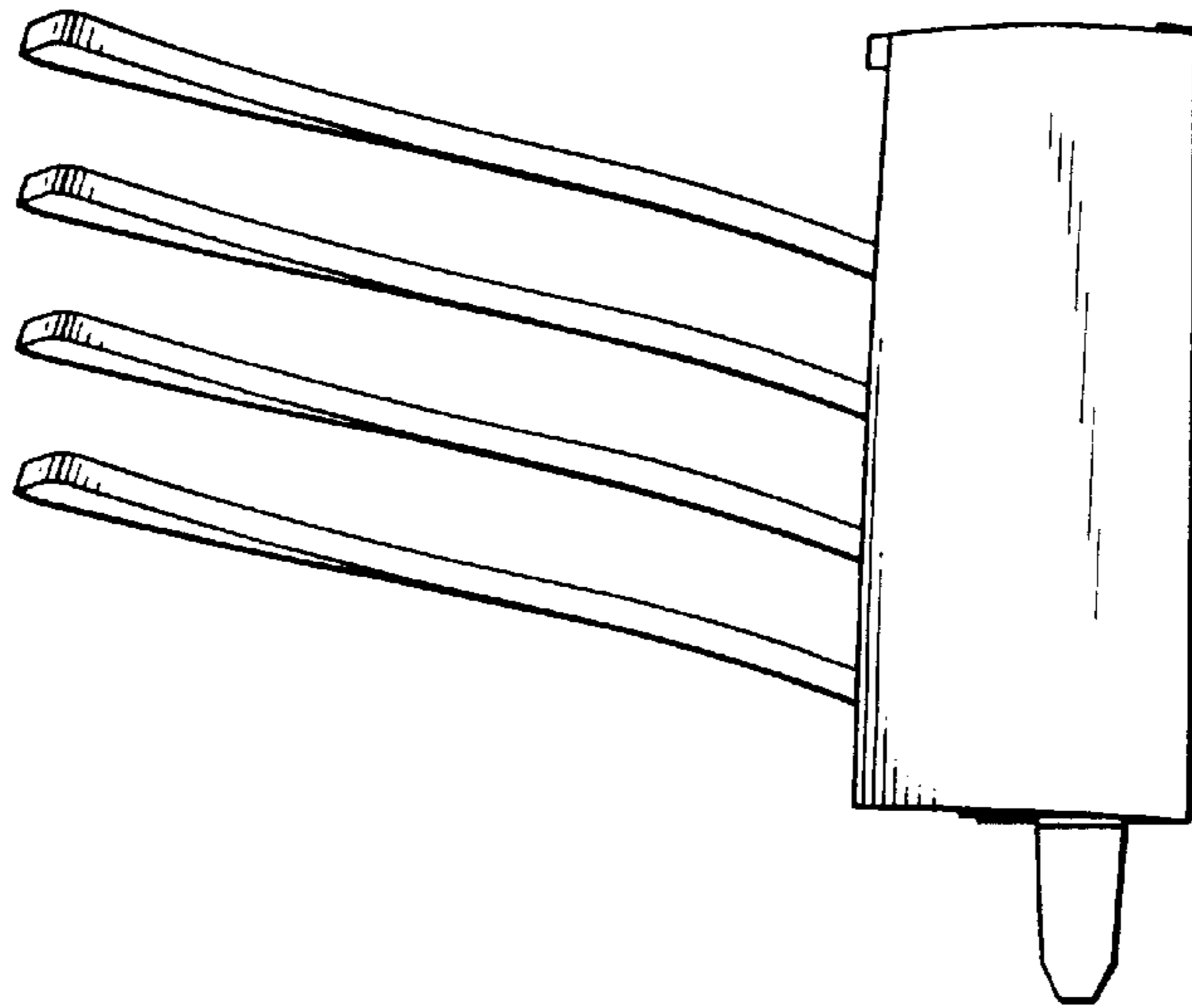


FIG. 6

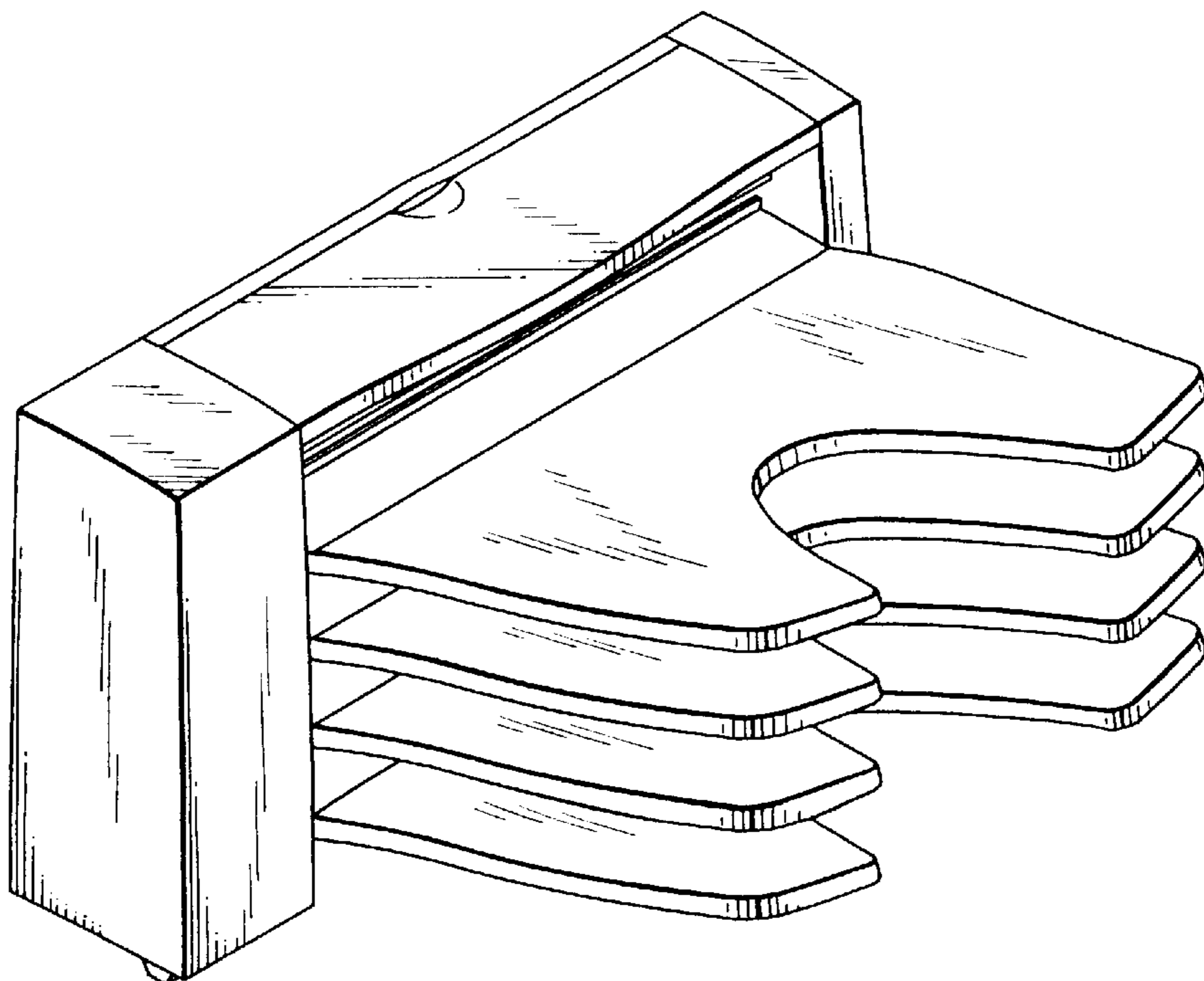


FIG. 7

