



US00D435585S

**United States Patent** [19]  
**Chiang et al.**

[11] **Patent Number: Des. 435,585**  
[45] **Date of Patent: \*\* Dec. 26, 2000**

[54] **MANUALLY OPERATED BOOKBINDING TOOL**

3,416,397 12/1968 Preston ..... 83/633  
4,399,726 8/1983 Zacuto ..... D15/127

[76] Inventors: **Jou-Chen Chiang**, No. 13, 23 Rd., Industrial District; **Chien-Fu Lin**, No. 22, Alley 214, Ln. Fu-Shang, both of Taichung, Taiwan

*Primary Examiner*—Louis S. Zarfes  
*Assistant Examiner*—Inga-Maria Hyttinen  
*Attorney, Agent, or Firm*—Raymond Y. Chan; David and Raymond

[\*\*] Term: **14 Years**

[57] **CLAIM**

[21] Appl. No.: **29/092,738**

The ornamental design for a manually operated bookbinding tool, as shown.

[22] Filed: **Aug. 24, 1998**

**DESCRIPTION**

[51] **LOC (7) Cl.** ..... **18-04**

[52] **U.S. Cl.** ..... **D18/34**

[58] **Field of Search** ..... D18/34, 68, 72, D18/86, 99, 100; D24/200; 221/222; 83/566, 571, 613, 633, 911; 412/7, 16, 33, 37, 38, 39, 40, 43, 900; D15/218; 156/908; 281/21.1, 27.2, 28; 241/236, 100, 169.1

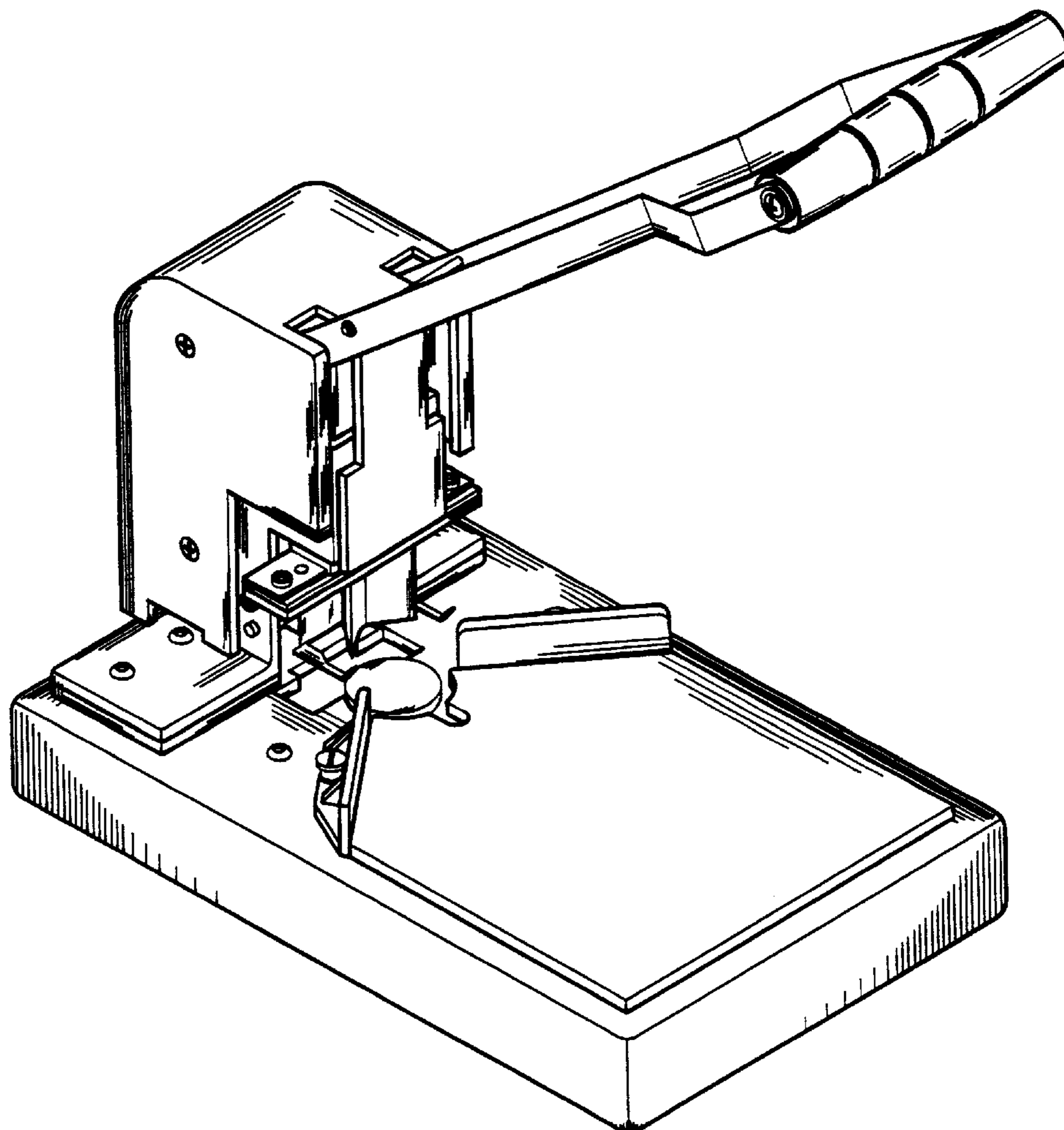
FIG. 1 is a front left perspective view of a manually operated bookbinding tool showing our design;  
FIG. 2 is a front view thereof;  
FIG. 3 is a rear view thereof;  
FIG. 4 is a top plan view thereof;  
FIG. 5 is a bottom plan view thereof;  
FIG. 6 is a left side elevation view thereof; and,  
FIG. 7 is a right side elevation view thereof.

[56] **References Cited**

**U.S. PATENT DOCUMENTS**

D. 377,804 2/1997 Beijen ..... D18/34

**1 Claim, 7 Drawing Sheets**



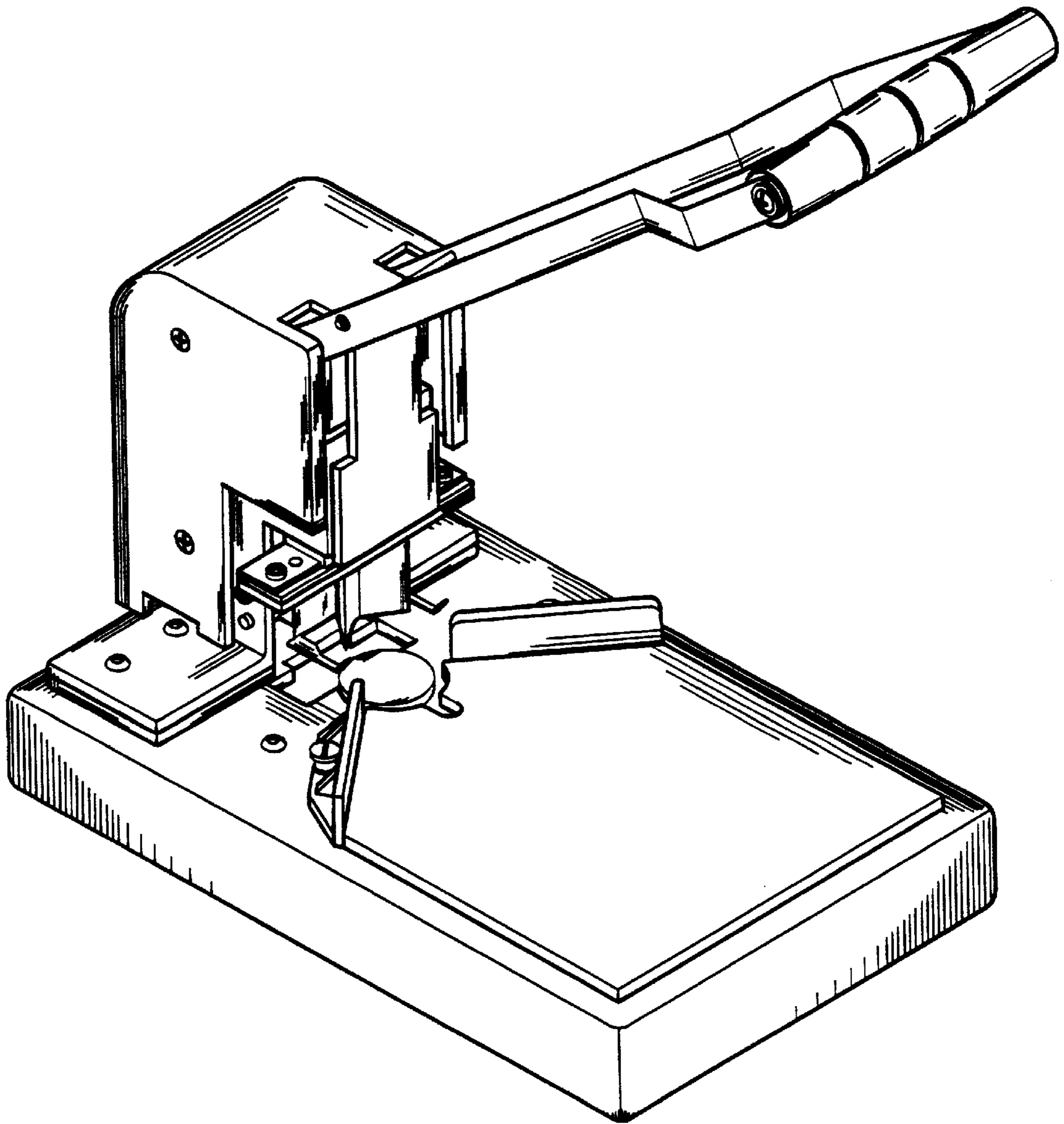


FIG. 1

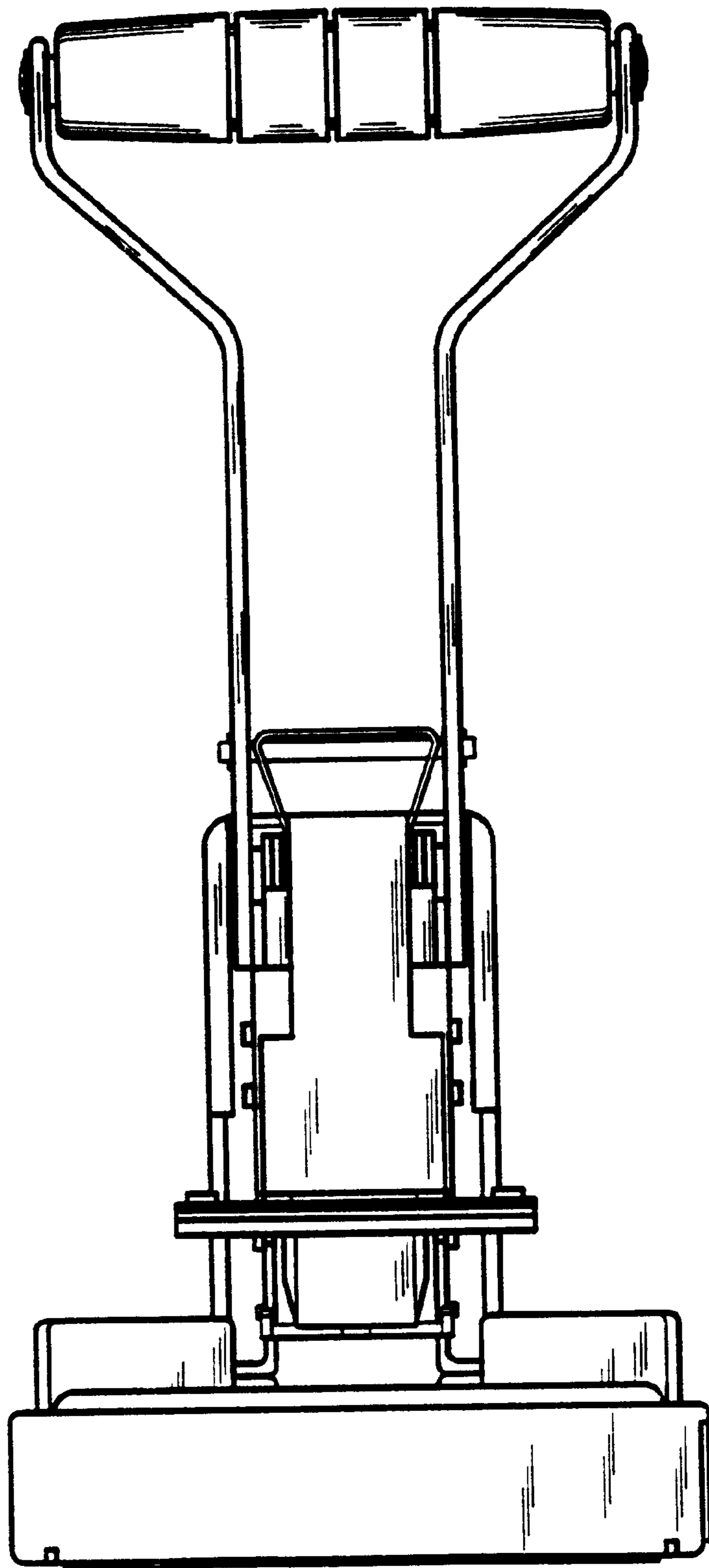


FIG. 2

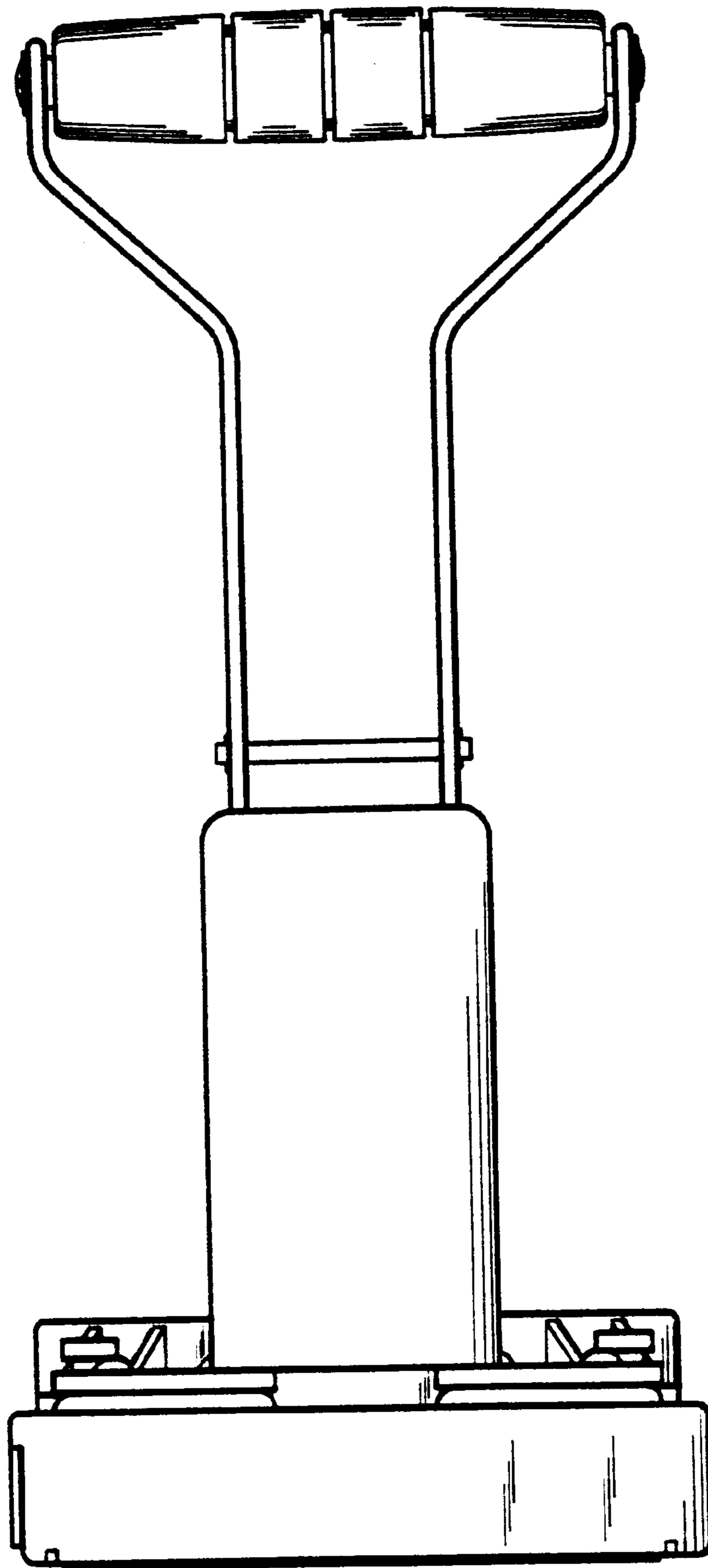


FIG. 3

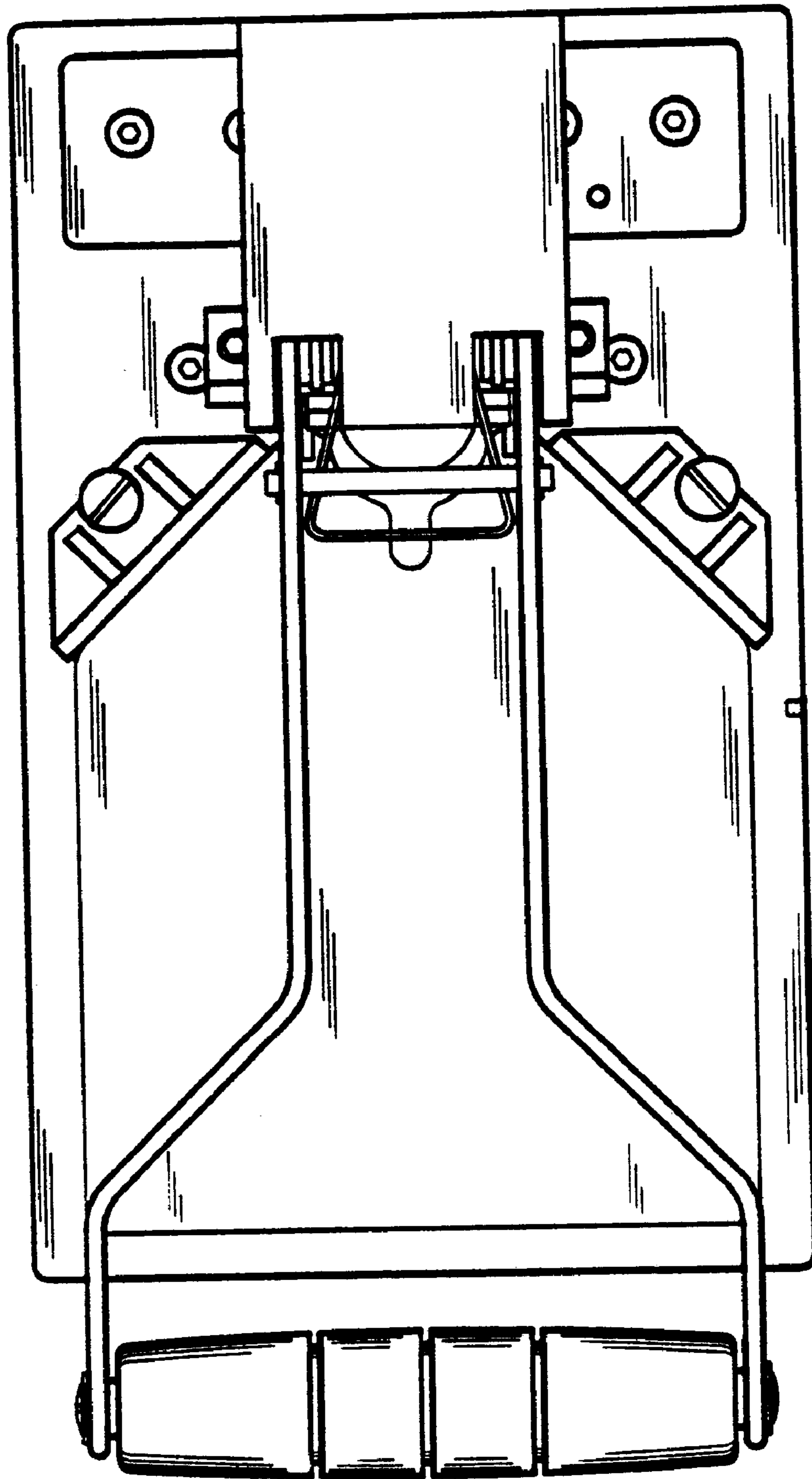


FIG. 4

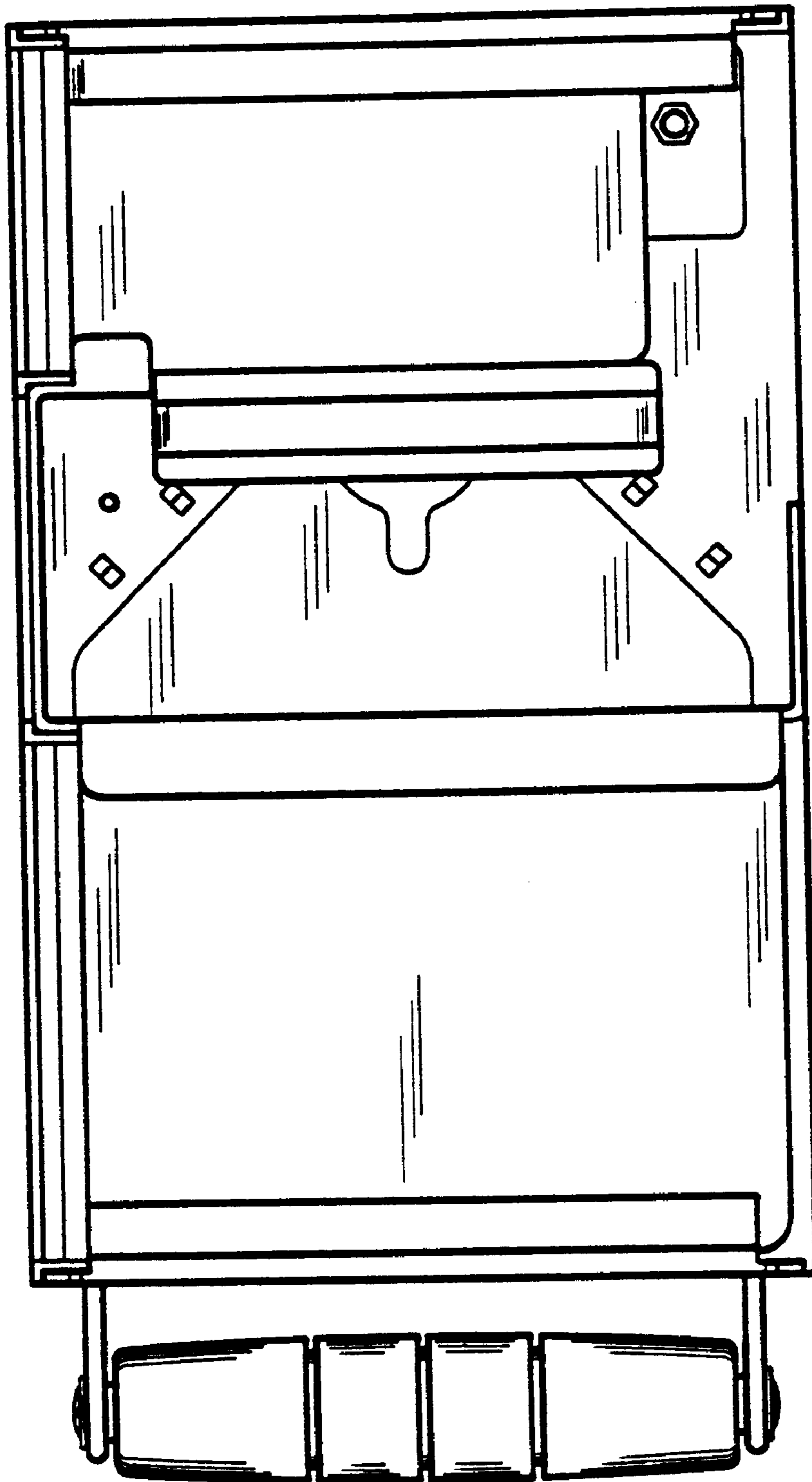


FIG. 5

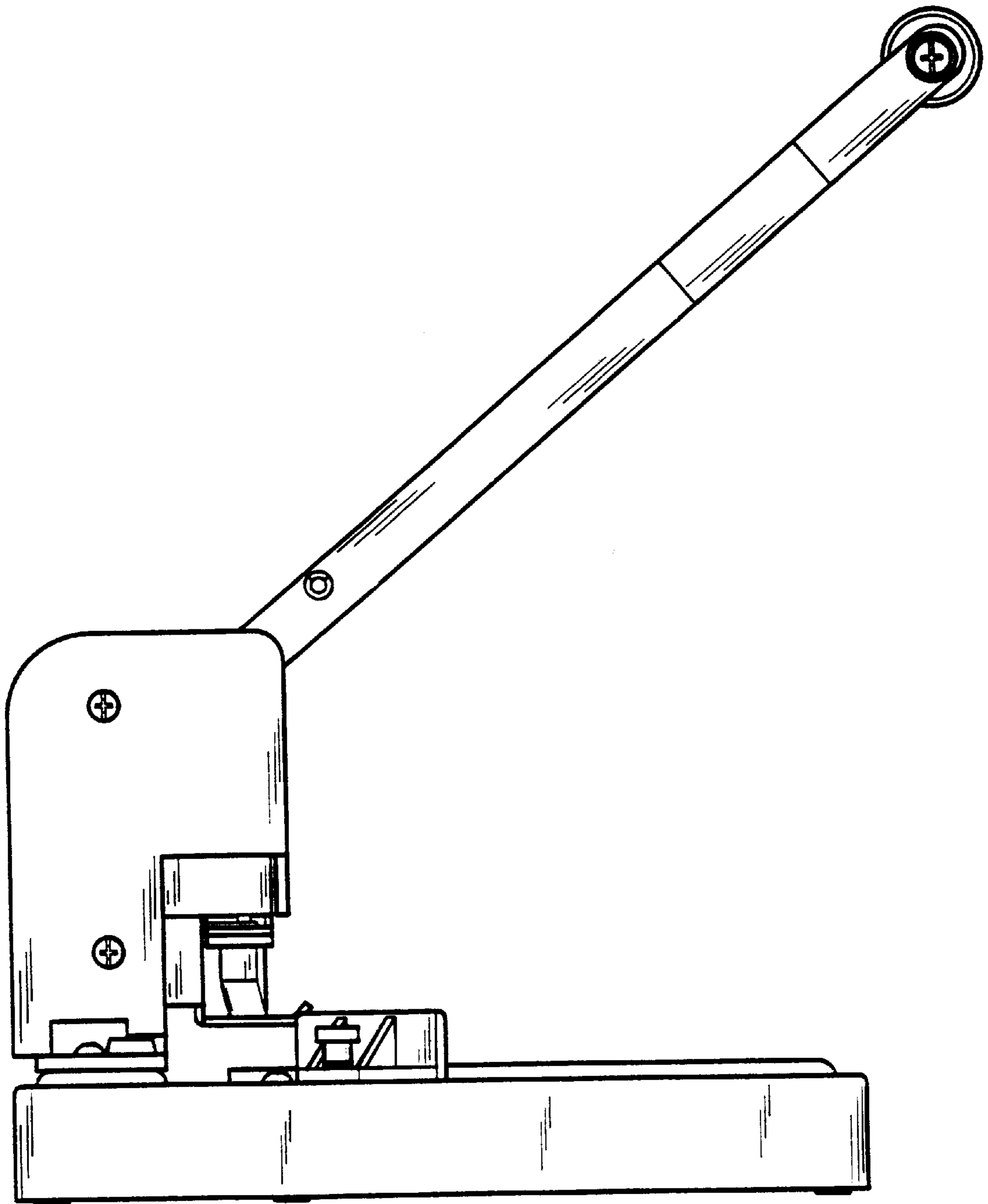


FIG. 6

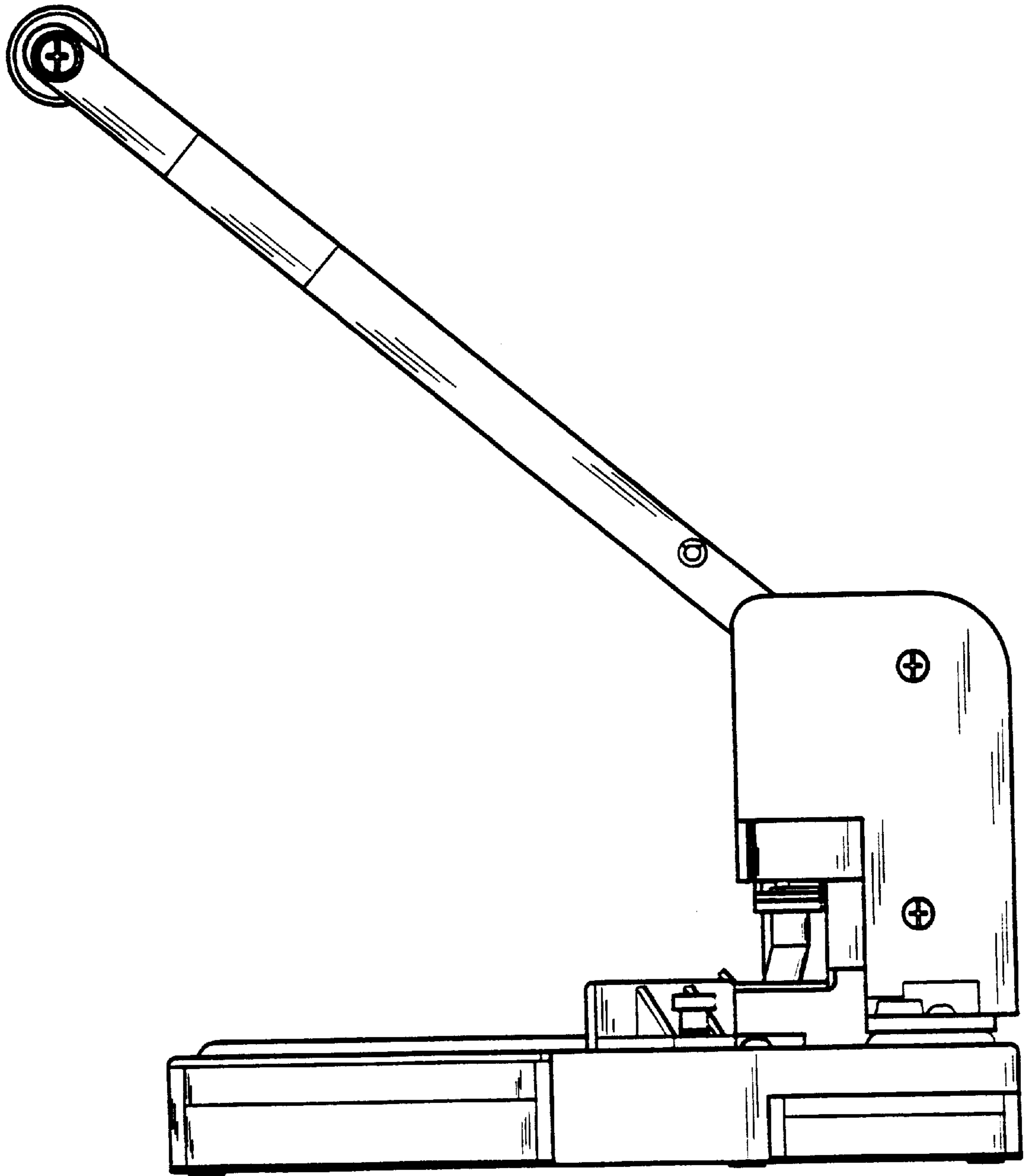


FIG. 7