



US00D435580S

United States Patent [19] Grinkus

[11] **Patent Number: Des. 435,580**

[45] **Date of Patent: ** Dec. 26, 2000**

[54] **CONTROLLER**

[75] Inventor: **John A. Grinkus**, deceased, late of Randolph, Mass., by Mrs. John A. Grinkus, legal representative

[73] Assignee: **Bose Corporation**, Framingham, Mass.

[**] Term: **14 Years**

[21] Appl. No.: **29/106,467**

[22] Filed: **Jun. 15, 1999**

[51] **LOC (7) Cl.** **17-99**

[52] **U.S. Cl.** **D17/99; D14/218**

[58] **Field of Search** D17/99; D14/218, D14/299, 217, 265; D9/418, 423; D10/106, 104; D13/162, 168, 134; 361/380, 390, 391; 340/825.24, 825.25, 825.69; 455/347-351, 151.1-151.4, 152.1, 352-355; 358/194.1; 200/331; 348/734

[56] **References Cited**

U.S. PATENT DOCUMENTS

D. 339,806 9/1993 Grinkus D14/217

D. 375,909 11/1996 Dziersek et al. D10/106
D. 381,662 7/1997 Weissberg et al. D14/218
D. 383,135 9/1997 Arthur D14/218
D. 390,847 2/1998 Lentini et al. D14/218

Primary Examiner—Louis S. Zarfes
Assistant Examiner—Gregory Andoll
Attorney, Agent, or Firm—Fish & Richardson P.C.

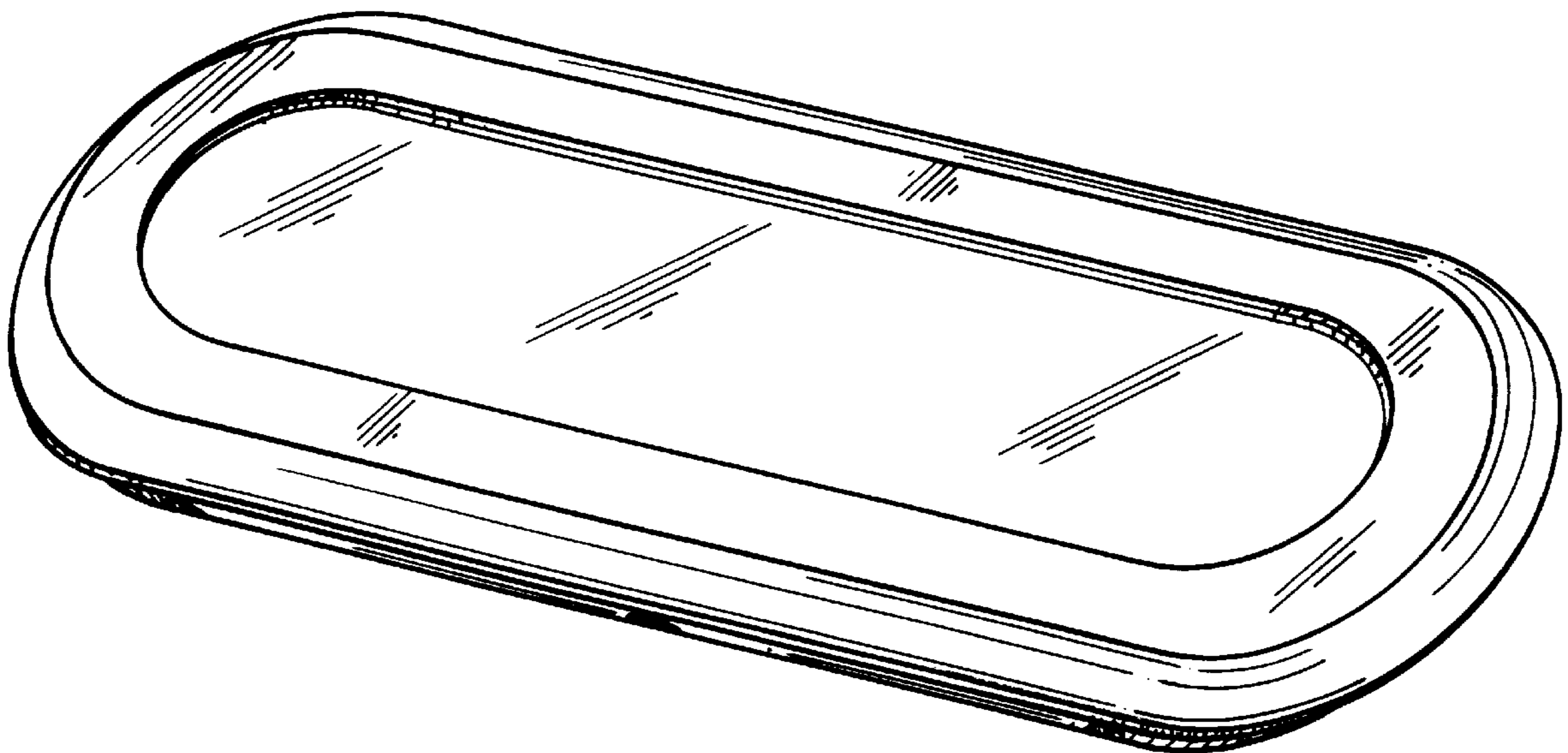
[57] **CLAIM**

The ornamental design for a controller, as shown and described.

DESCRIPTION

FIG. 1 is a perspective view of a controller embodying the invention;
FIG. 2 is a side top perspective view thereof;
FIG. 3 is a side bottom perspective view thereof;
FIG. 4 is an end view thereof;
FIG. 5 is another end view thereof;
FIG. 6 is a top view thereof; and,
FIG. 7 is a bottom view thereof.

1 Claim, 5 Drawing Sheets



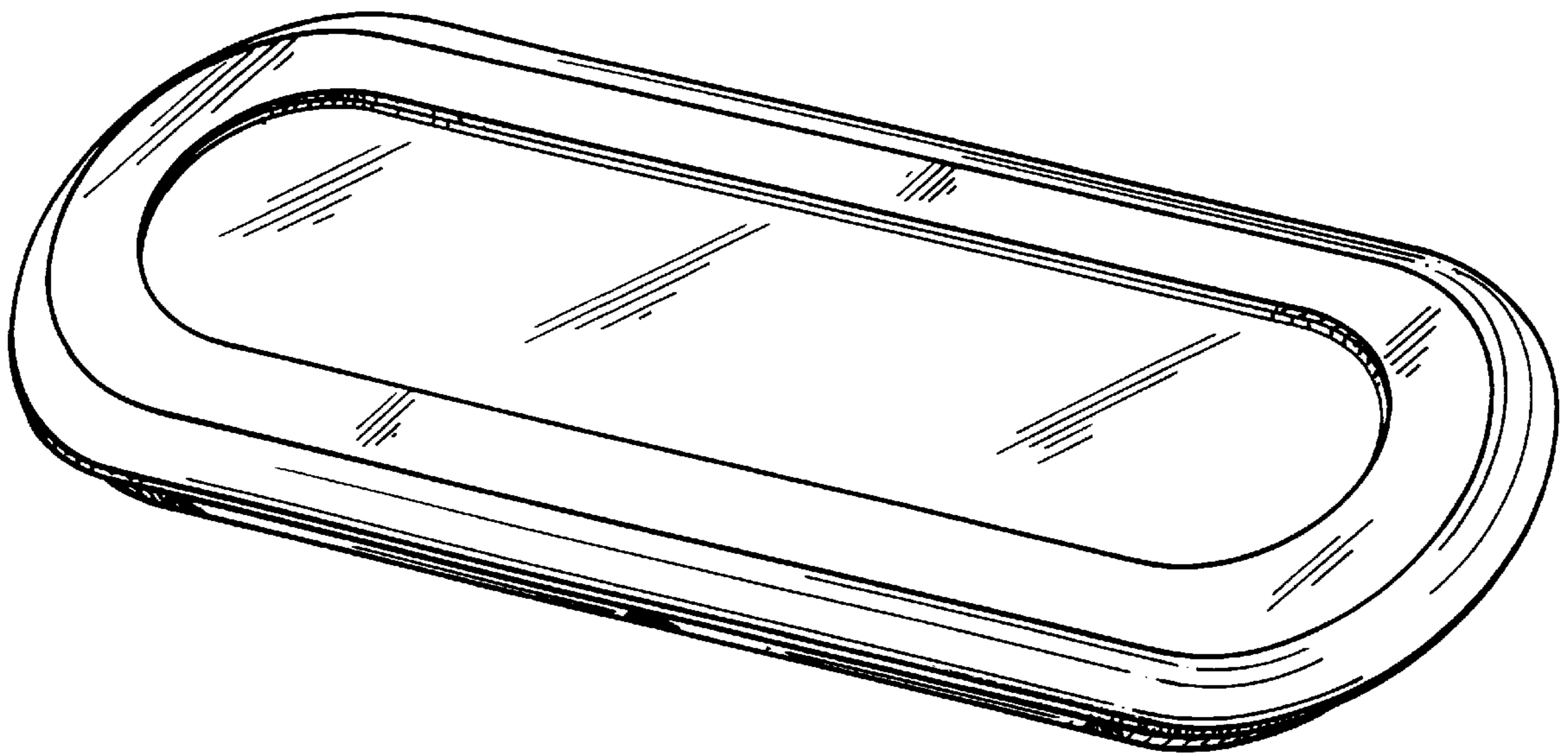


FIG. 1

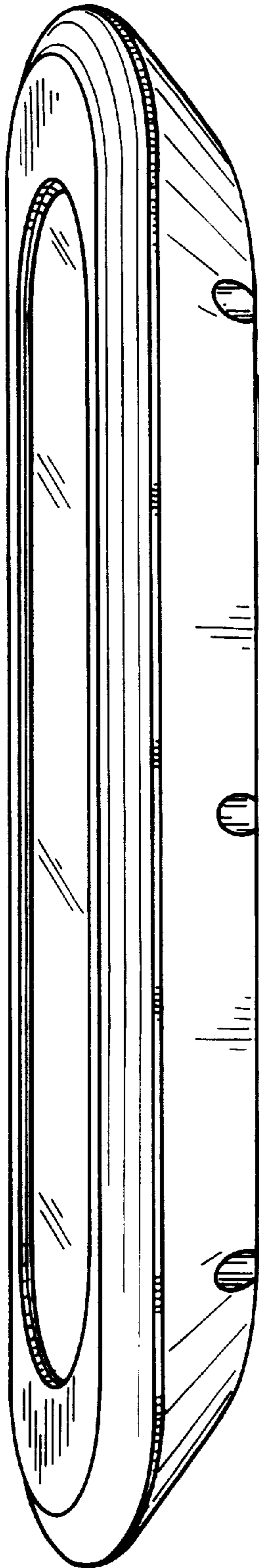


FIG. 2

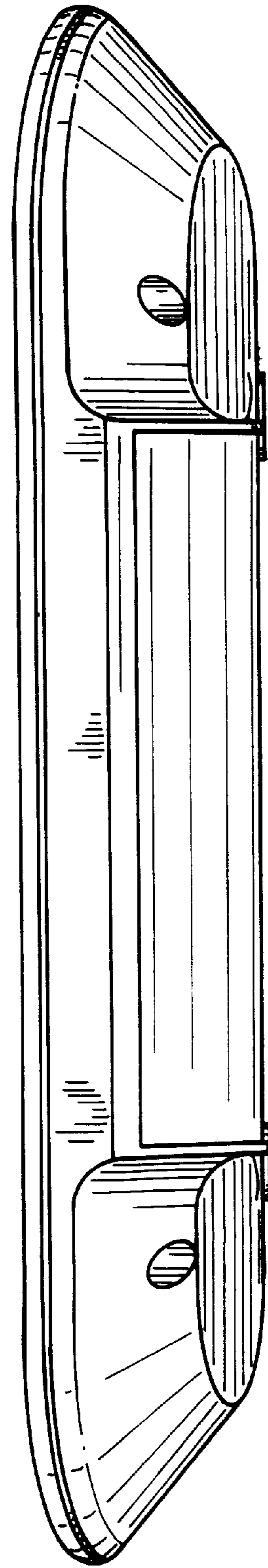


FIG. 3

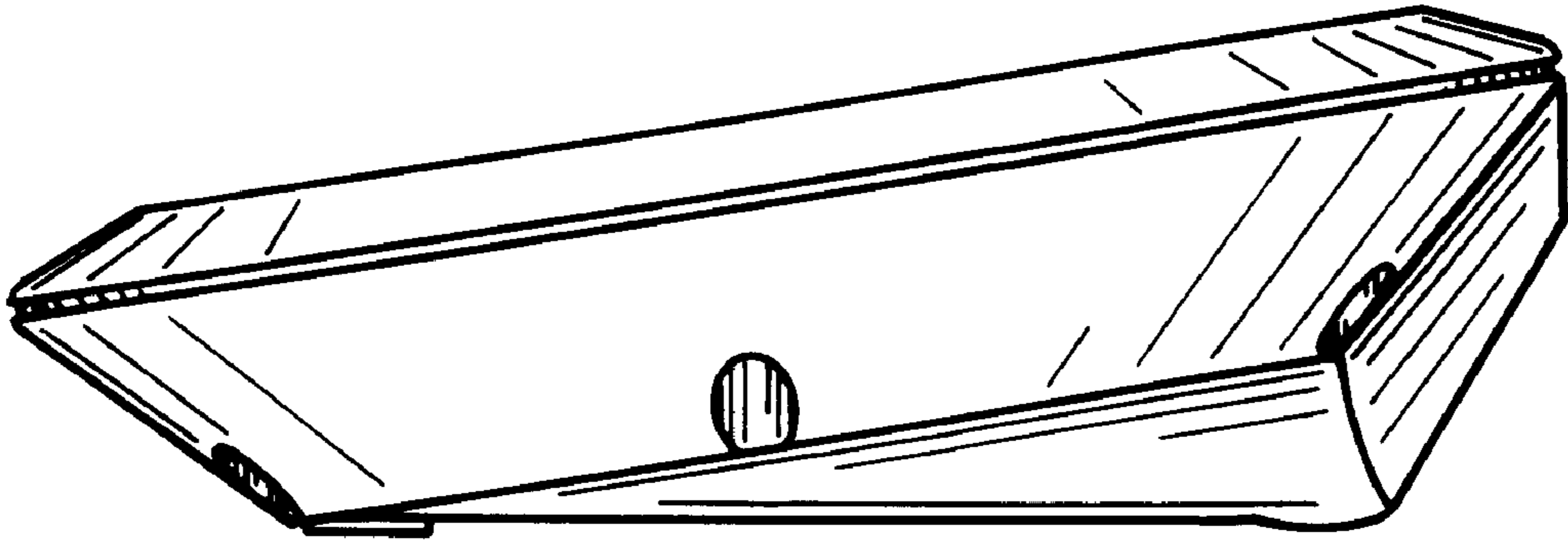


FIG. 4

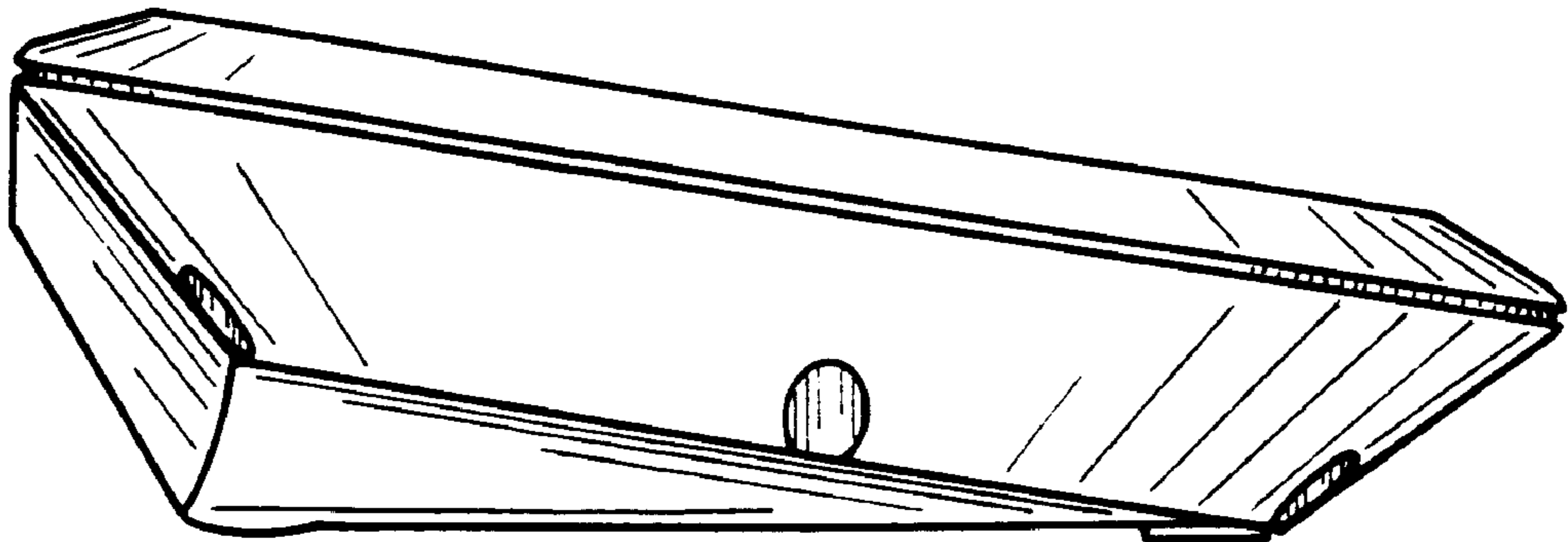


FIG. 5

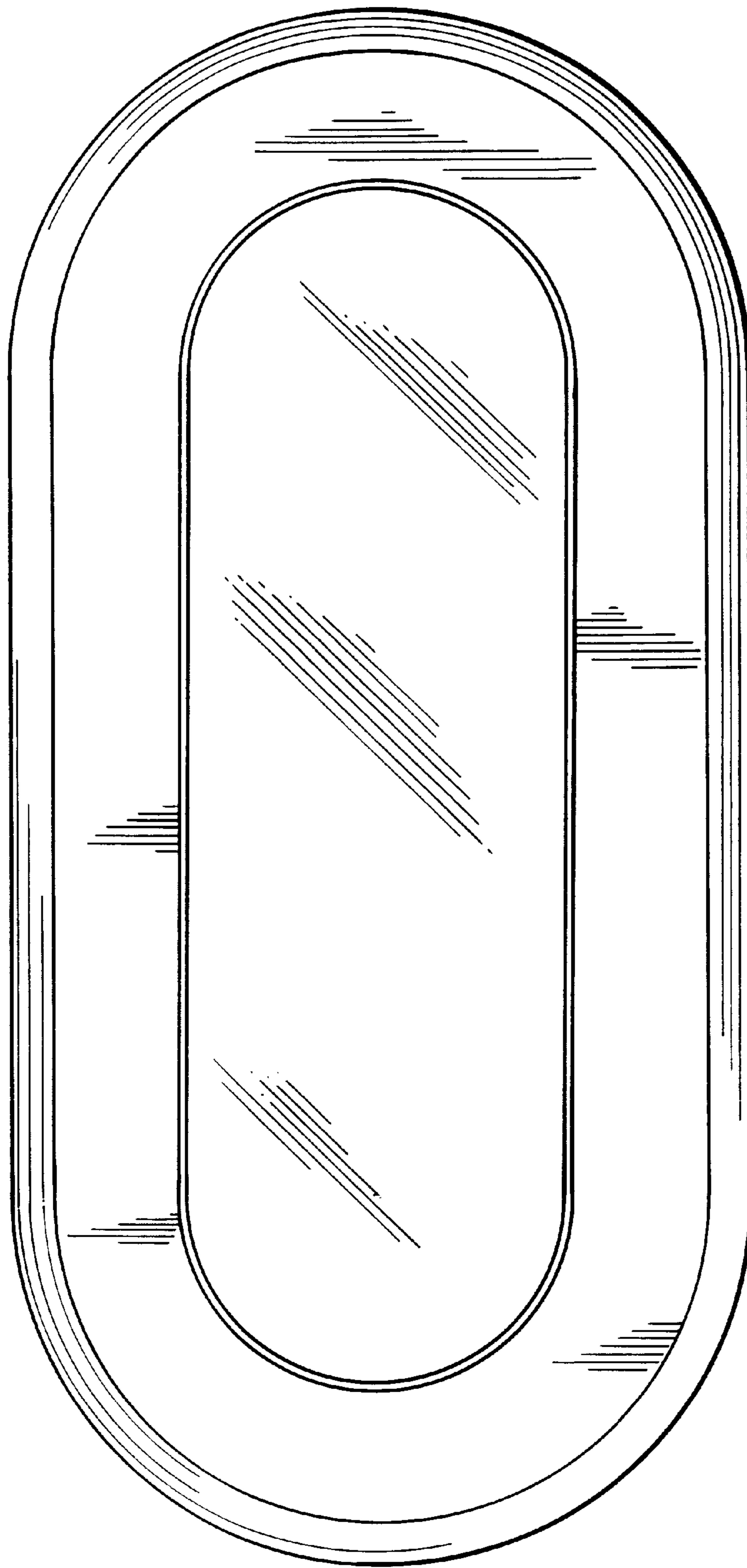


FIG. 6

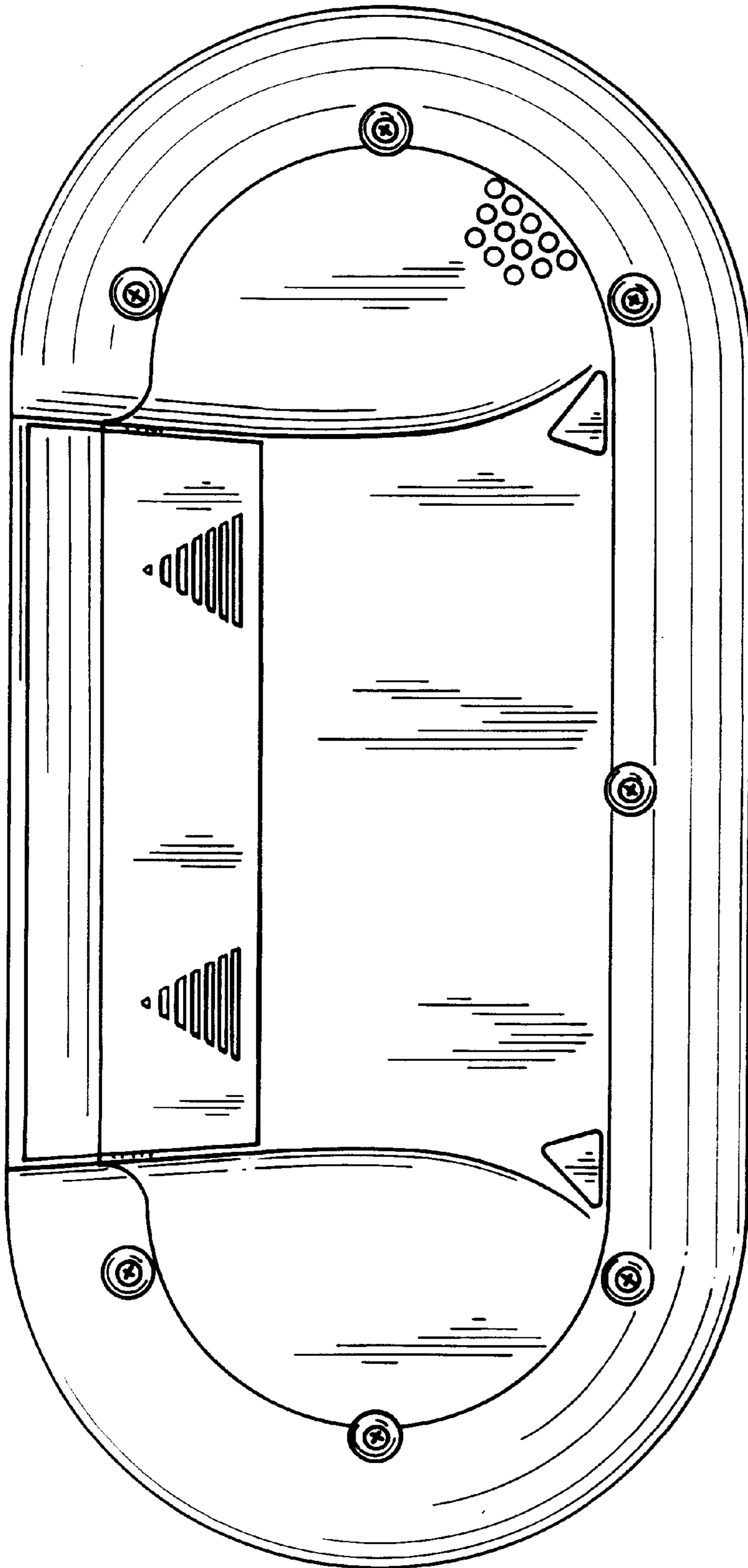


FIG. 7