



US00D435578S

# United States Patent [19]

Adachi et al.

[11] Patent Number: Des. 435,578

[45] Date of Patent: \*\* Dec. 26, 2000

[54] **OVERHEAD PROJECTOR**

5,245,370 9/1993 Peterson ..... 353/122

[75] Inventors: **Tomoyuki Adachi**, Konan; **Kazuhiro Sukenari**, Nagoya, both of Japan

OTHER PUBLICATIONS

National Audio Visual Supply Catalog, 1994 p. 62 (Dukane overhead Projector).

[73] Assignee: **Elmo Co., Ltd.**, Aichi, Japan

*Primary Examiner*—Adir Aronovich  
*Attorney, Agent, or Firm*—Koda & Androlia

[\*\*] Term: **14 Years**

[21] Appl. No.: **29/100,156**

[57] **CLAIM**

The ornamental design for an overhead projector, as shown and described.

[22] Filed: **Feb. 5, 1999**

[30] **Foreign Application Priority Data**

**DESCRIPTION**

Nov. 26, 1998 [JP] Japan ..... 10-34275

FIG. 1 is a front elevational view of an overhead projector showing our new design;  
FIG. 2 is a rear elevational view thereof;  
FIG. 3 is a top plan view thereof;  
FIG. 4 is a bottom plan view thereof;  
FIG. 5 is a right side elevational view thereof;  
FIG. 6 is a left side elevational view thereof;  
FIG. 7 is a perspective view taken from the front, top and left side of the overhead projector; and,  
FIG. 8 is an explanatory perspective view taken from the front, top and left side of the overhead projector folded up.

[51] **LOC (7) Cl.** ..... **16-02**

[52] **U.S. Cl.** ..... **D16/232; D16/229**

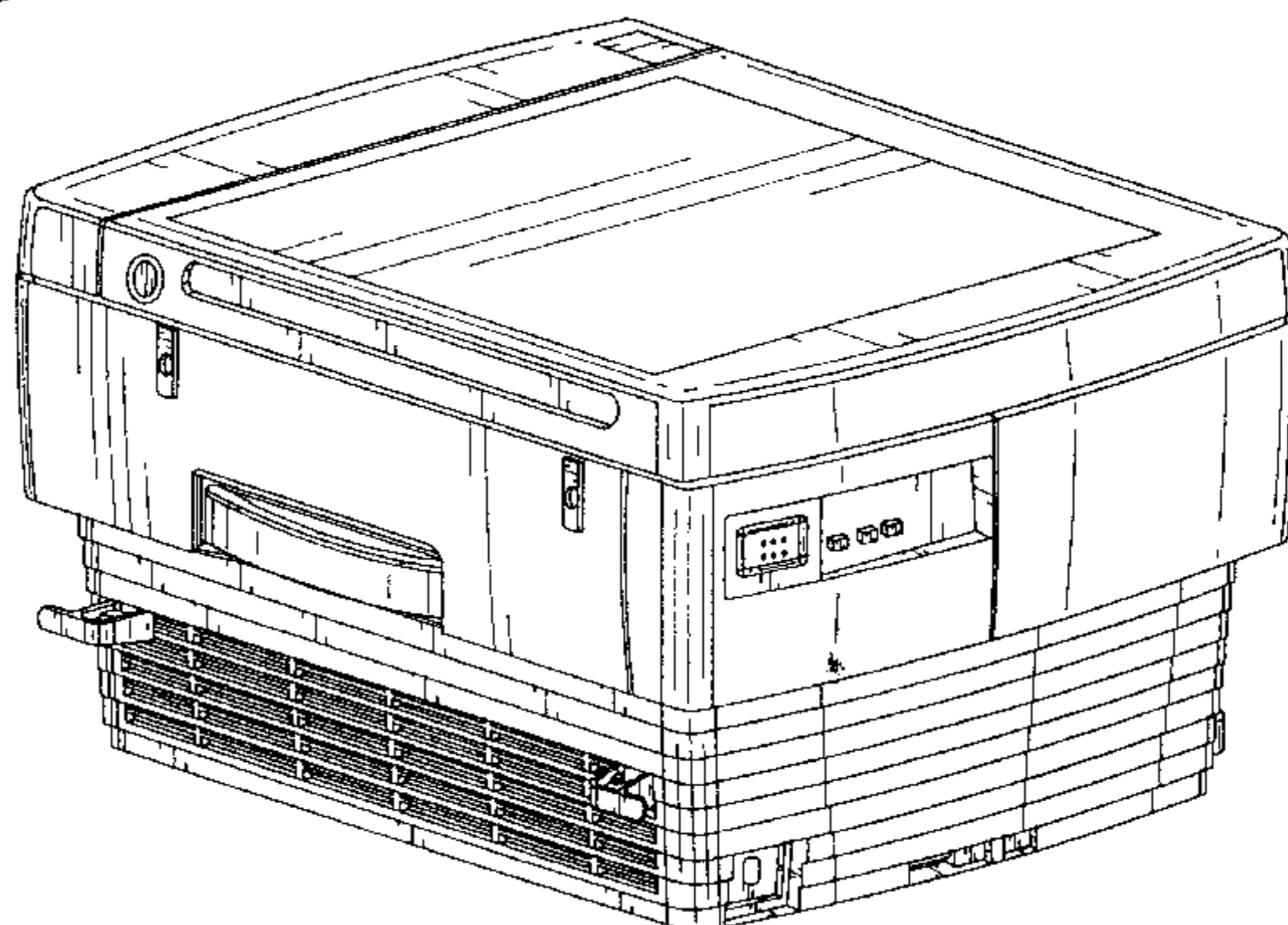
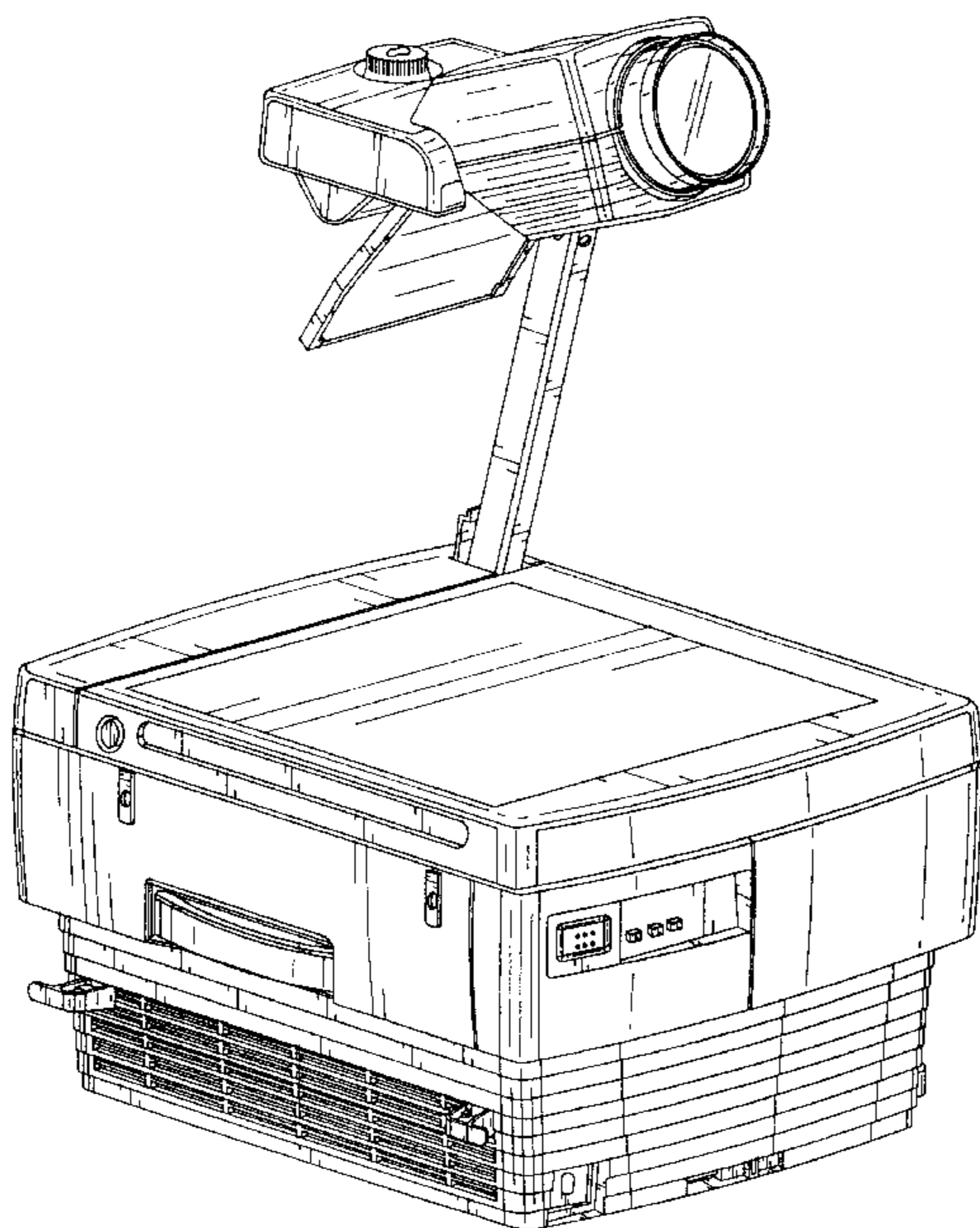
[58] **Field of Search** ..... D16/221, 225,  
D16/229, 232; 353/119, 122, DIG. 3, DIG. 4,  
DIG. 5

[56] **References Cited**

**U.S. PATENT DOCUMENTS**

|            |        |          |       |         |
|------------|--------|----------|-------|---------|
| D. 182,374 | 3/1958 | Miller   | ..... | D16/232 |
| D. 190,103 | 4/1961 | Stapsy   | ..... | D16/232 |
| D. 380,485 | 7/1997 | Grunwald | ..... | D16/232 |
| D. 396,871 | 8/1998 | McNulty  | ..... | D16/232 |

**1 Claim, 8 Drawing Sheets**



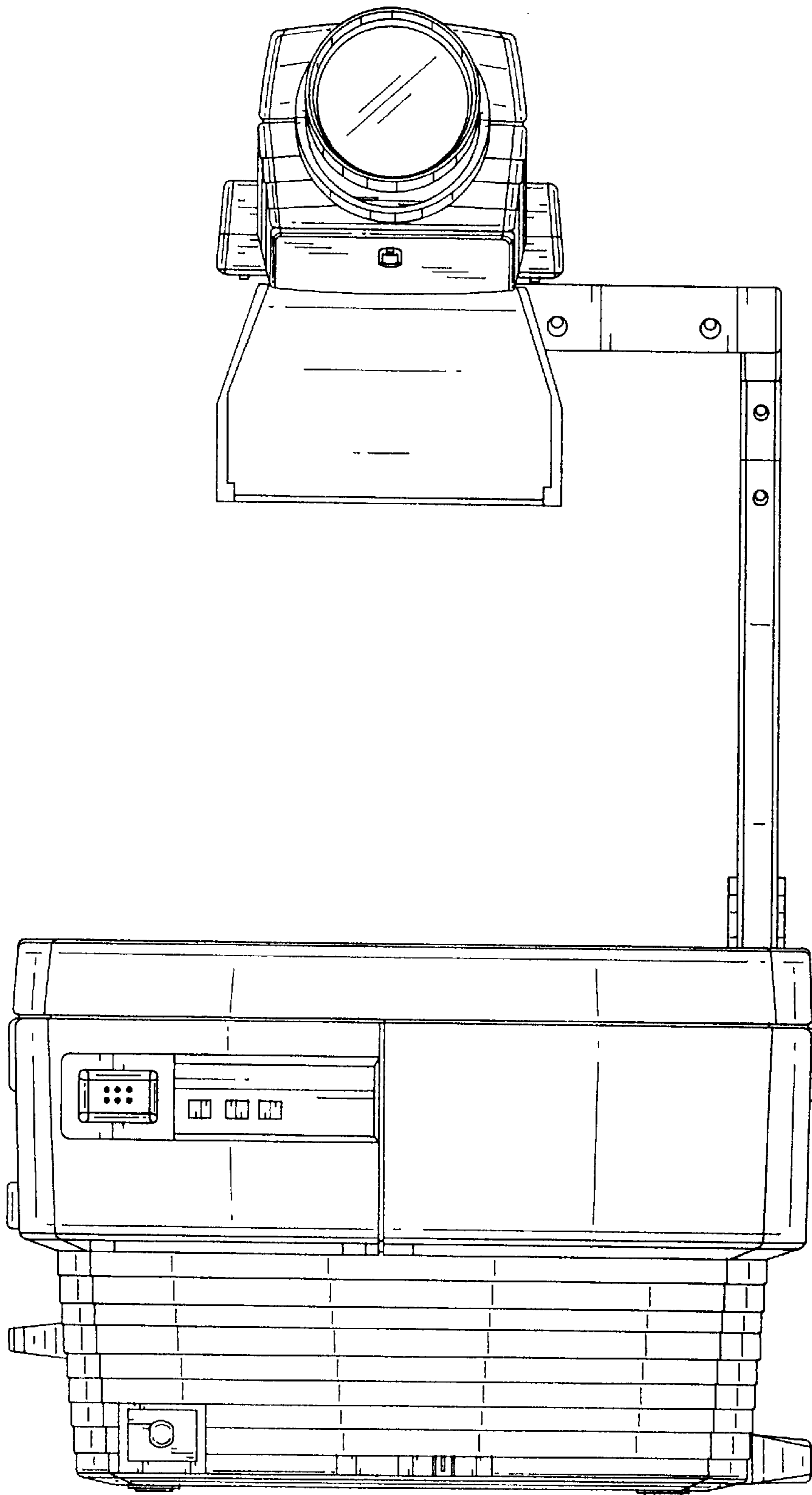


FIG. 1

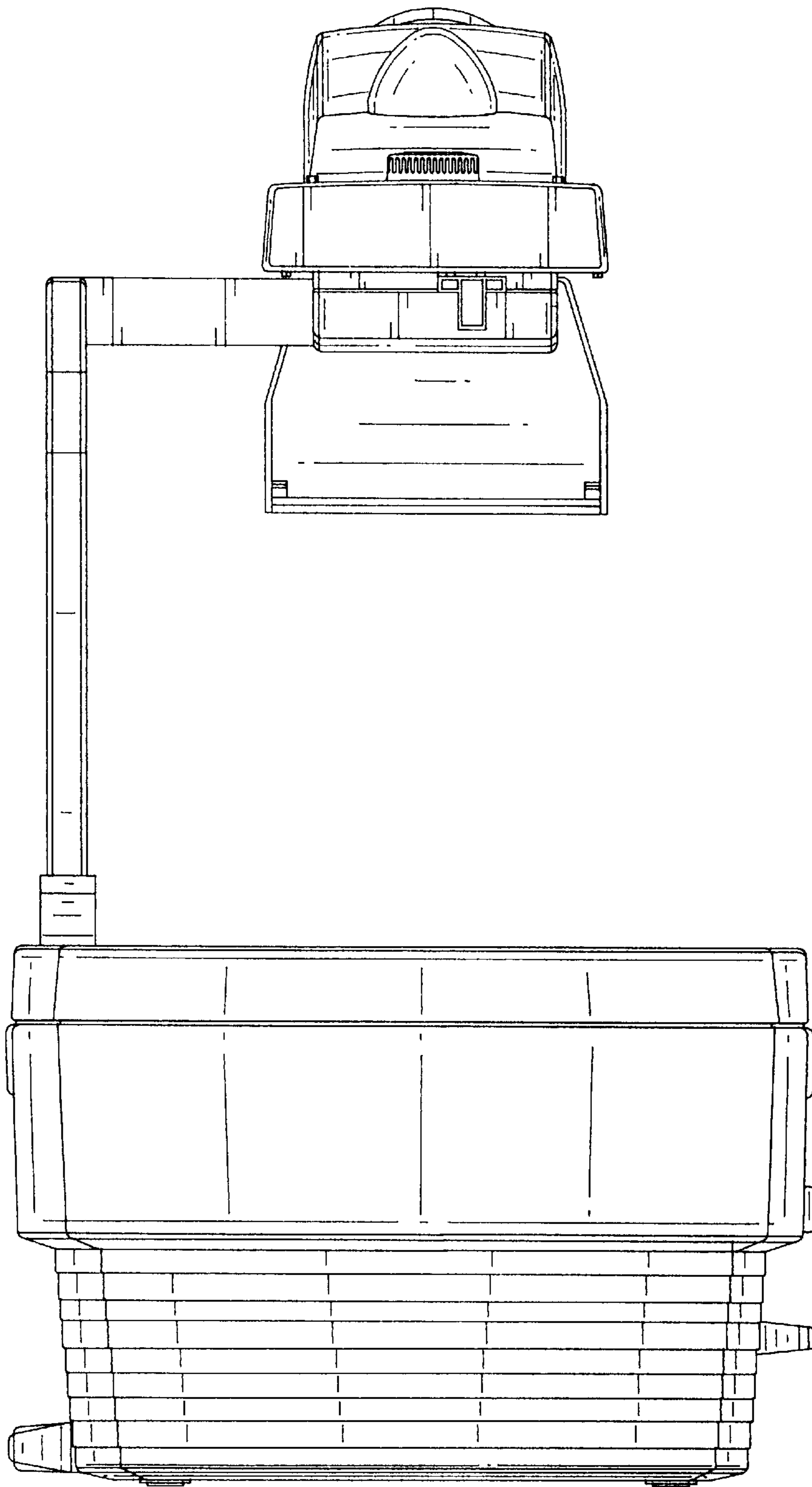


FIG. 2

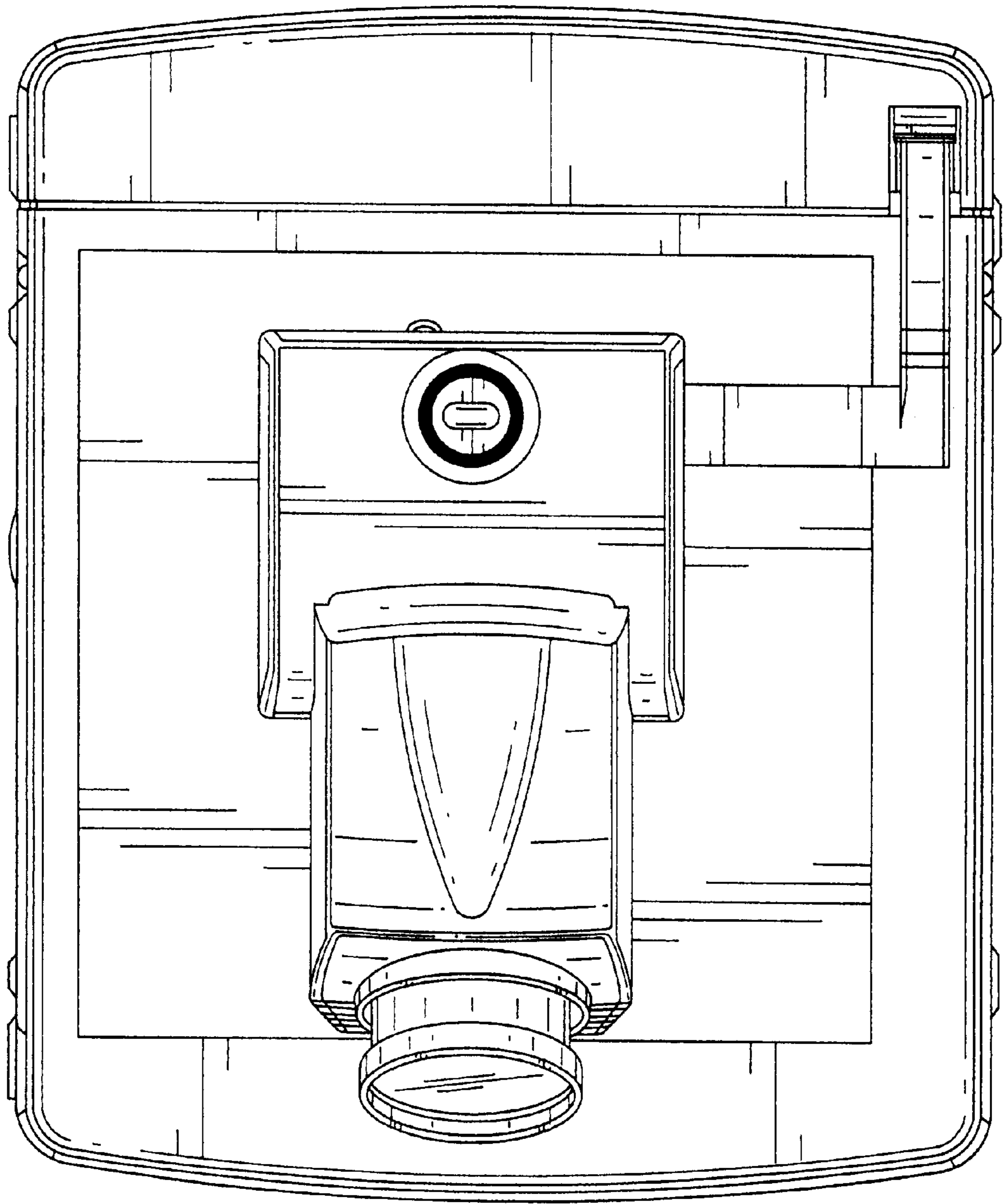


FIG. 3



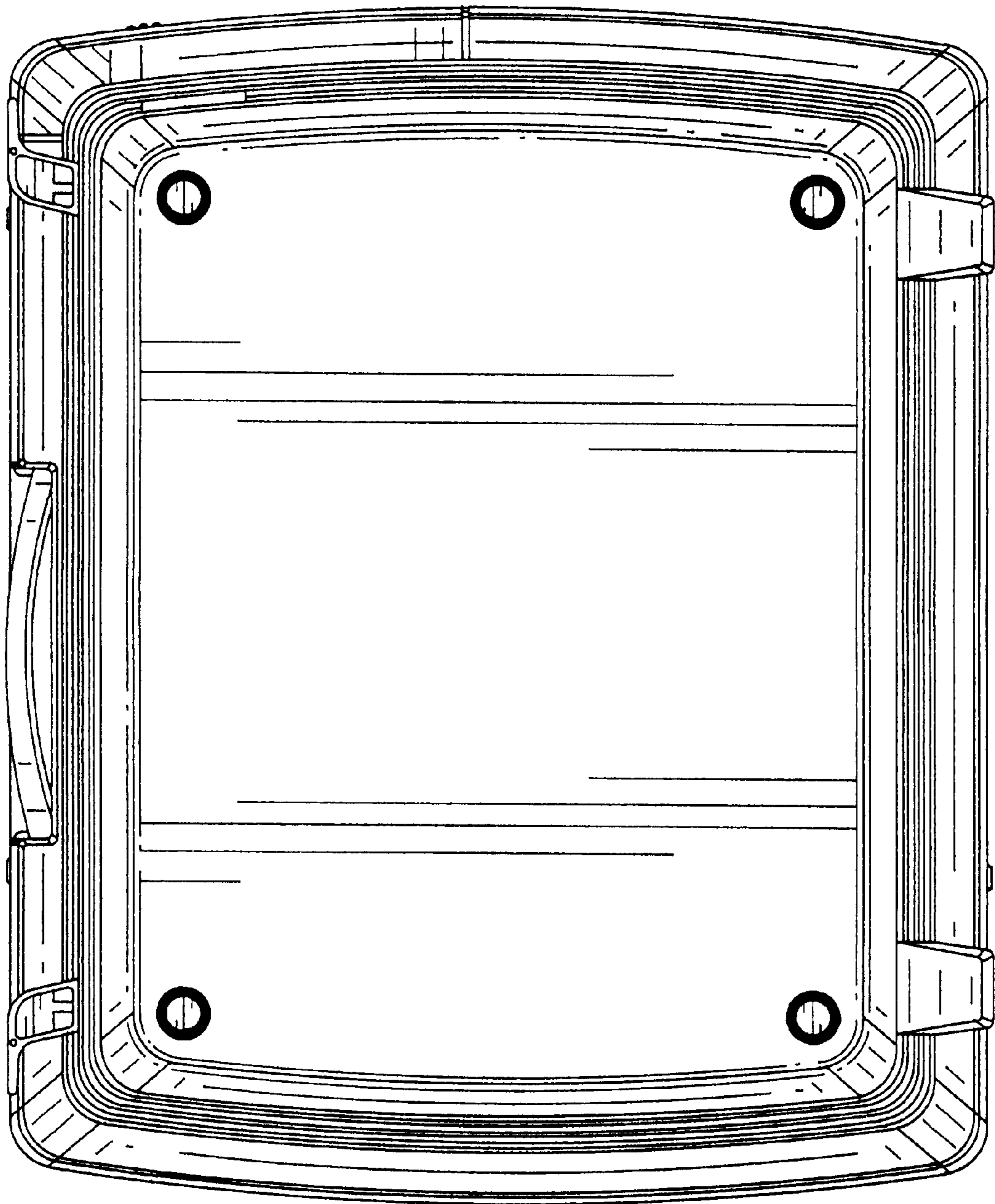


FIG. 4

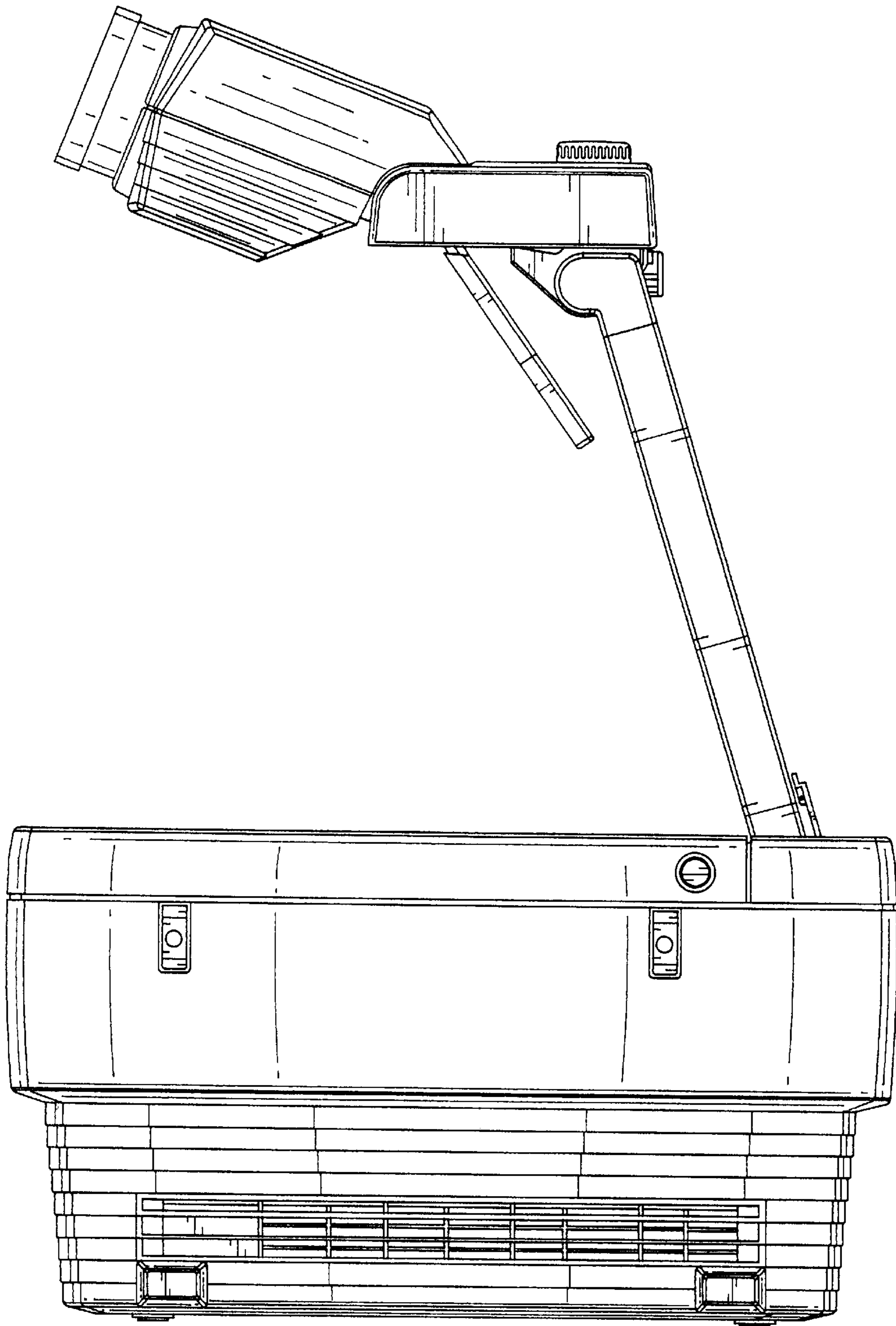


FIG. 5

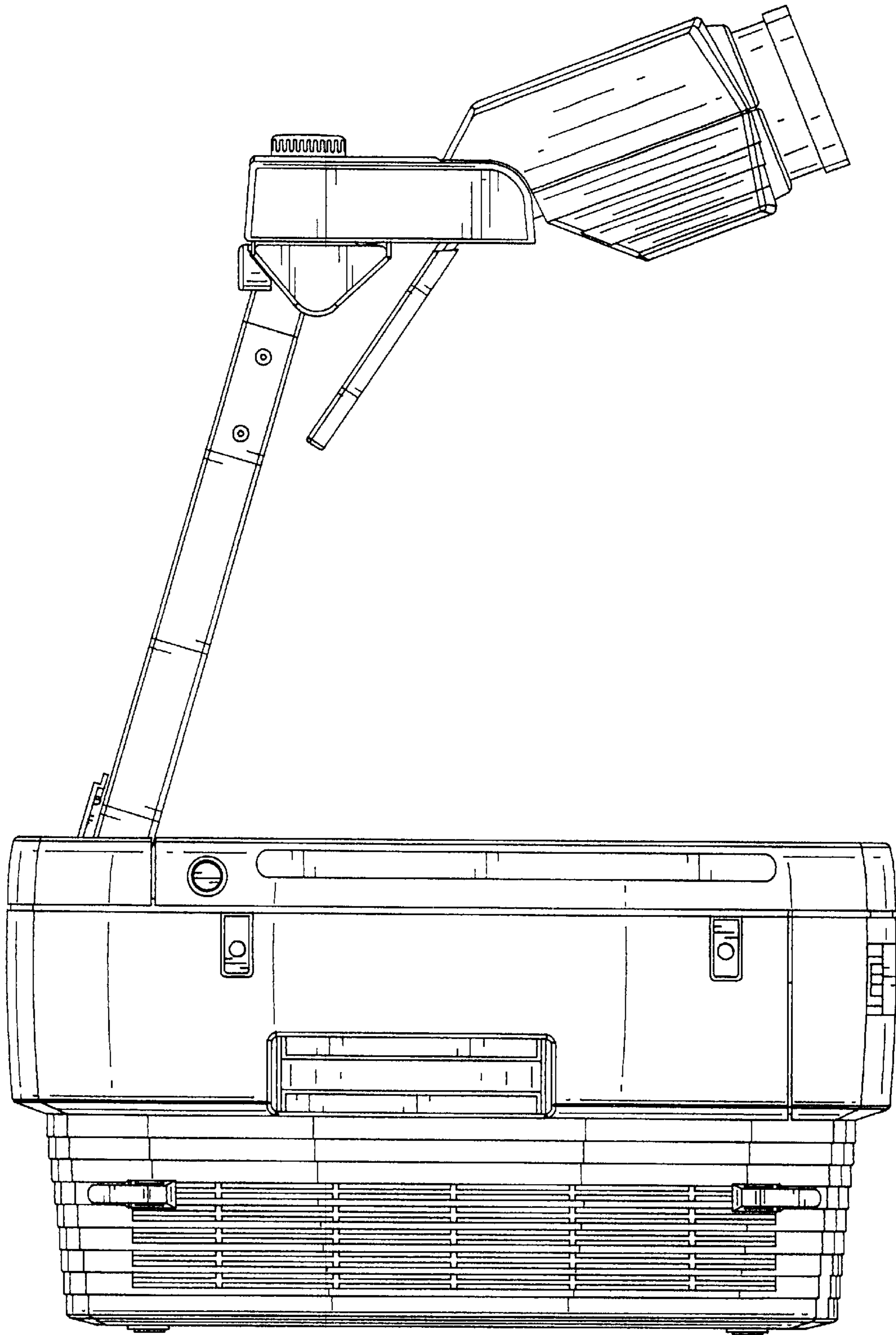


FIG. 6

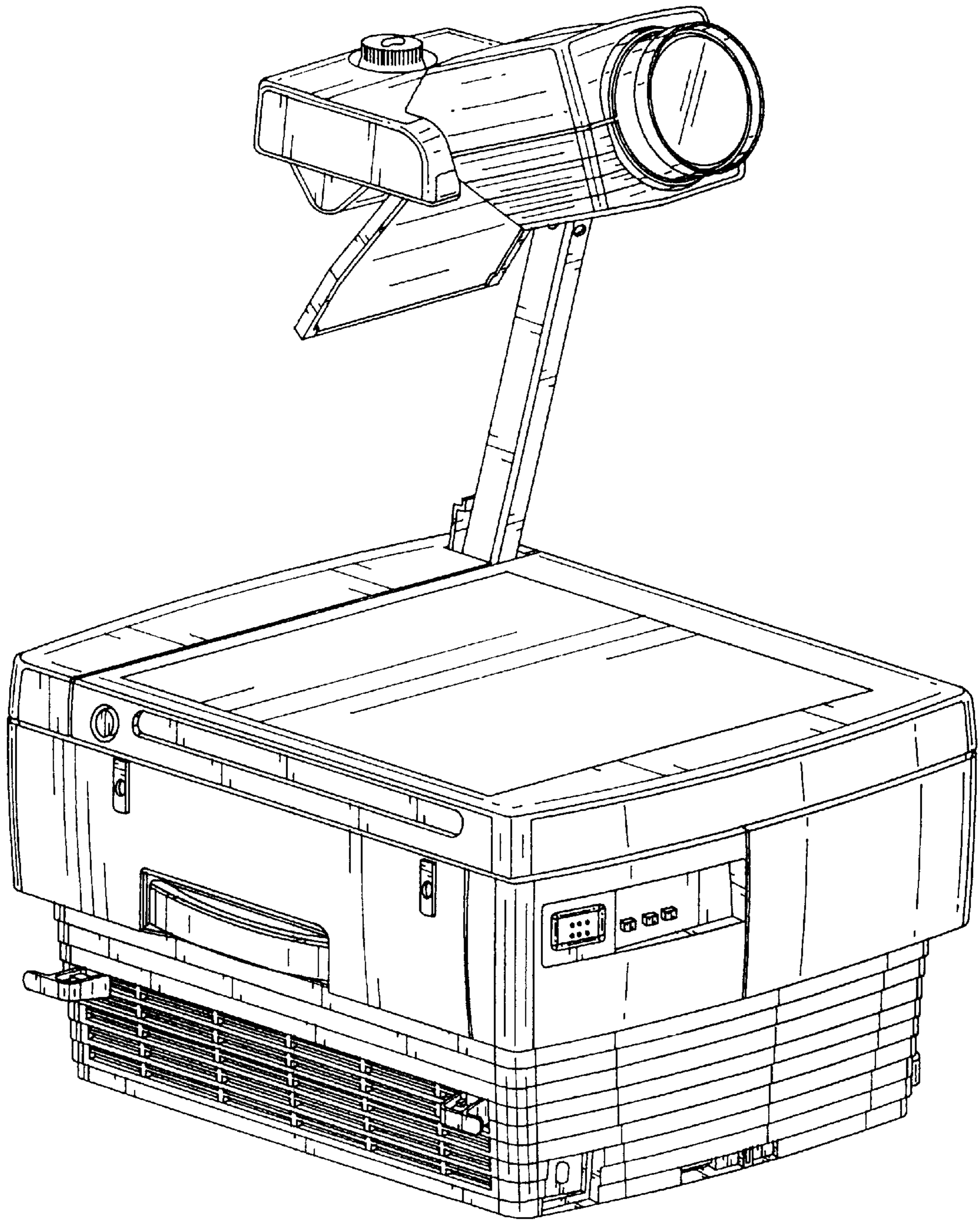


FIG. 7



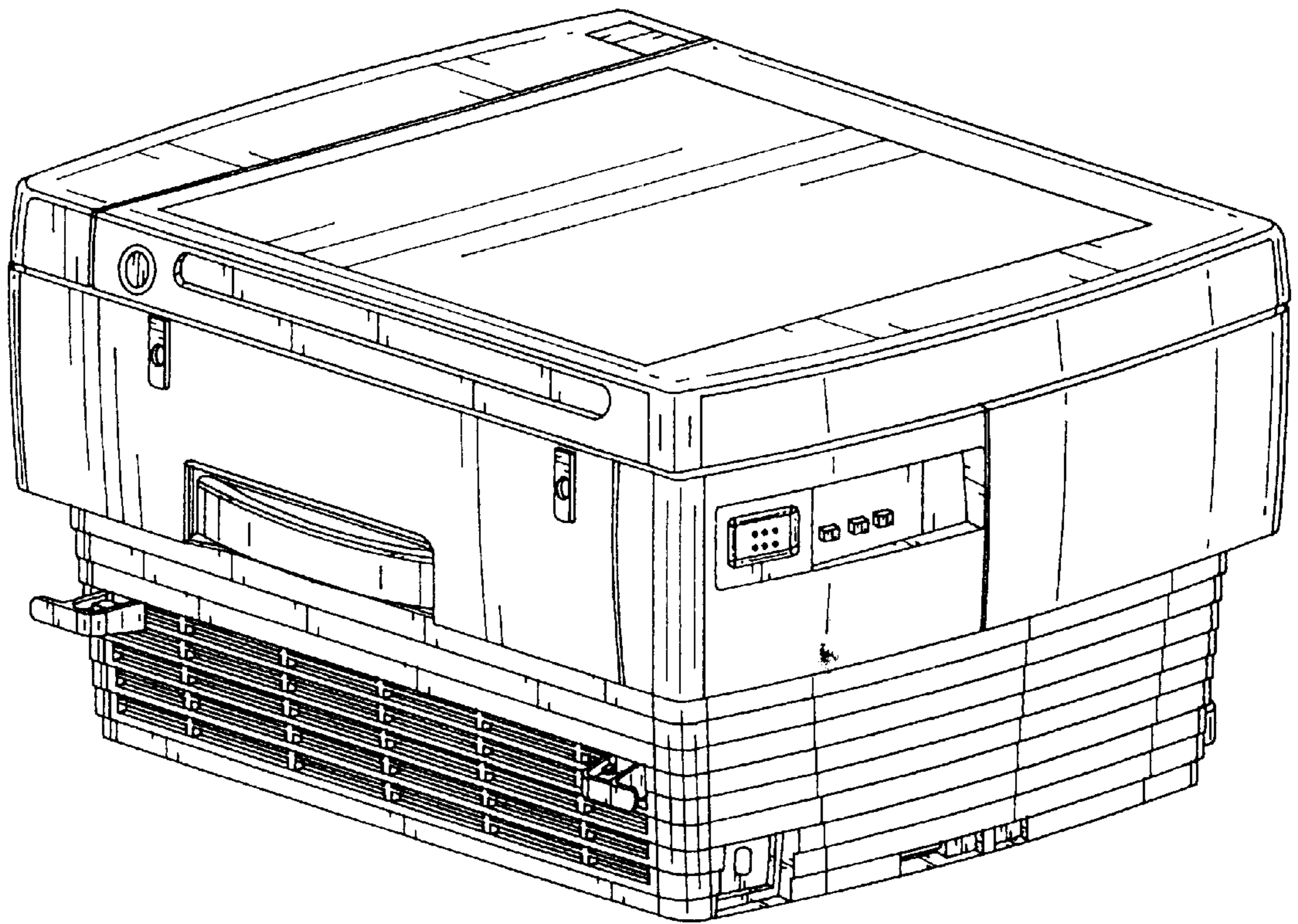


FIG. 8